



US00D586670S

(12) **United States Design Patent**  
**Playford et al.**

(10) **Patent No.:** **US D586,670 S**

(45) **Date of Patent:** **\*\* Feb. 17, 2009**

(54) **COMPACT, SELF CONTAINED CONDITION MONITORING DEVICE FOR MONITORING THE OPERATION OF A PUMP, A FAN, COMPRESSOR, TURBINE OR OTHER ROTATING OR RECIPROCATING PIECE OF MACHINERY**

D460,699	S	*	7/2002	Amborn et al.	.....	D10/49
D460,922	S	*	7/2002	Amborn et al.	.....	D10/49
6,941,785	B2	*	9/2005	Haynes et al.	.....	417/44.11
D549,250	S		8/2007	Salomaa et al.		
D549,254	S		8/2007	Salomaa et al.		
D549,737	S		8/2007	Chu		
D562,849	S		2/2008	Buitenhis et al.		
2003/0063826	A1		4/2003	Cevasco et al.		

(75) Inventors: **Mark Alexander Playford**, Seneca Falls, NY (US); **David Lee Fergot**, Syracuse, NY (US); **Douglas Paddock**, Penn Yan, NY (US)

\* cited by examiner

*Primary Examiner*—Antoine D Davis

(73) Assignee: **ITT Manufacturing Enterprises, Inc.**, Wilmington, DE (US)

(57) **CLAIM**

The ornamental design of a compact, self contained condition monitoring device for monitoring the operation of a pump, a fan, compressor, turbine or other rotating or reciprocating piece of machinery, as shown and described.

(\*\*) Term: **14 Years**

(21) Appl. No.: **29/292,324**

(22) Filed: **Oct. 5, 2007**

**DESCRIPTION**

(51) **LOC (9) Cl.** ..... **10-04**

(52) **U.S. Cl.** ..... **D10/49; D10/52; D10/53; D10/102**

(58) **Field of Classification Search** ..... D10/46, D10/49, 52, 53, 102; 702/38, 57-60, 64-68, 702/76, 77, 96, 104-106, 115, 116, 182-185, 702/191, 56; 318/432, 798, 799-801; 417/44.1, 417/44.11; 324/372, 772

See application file for complete search history.

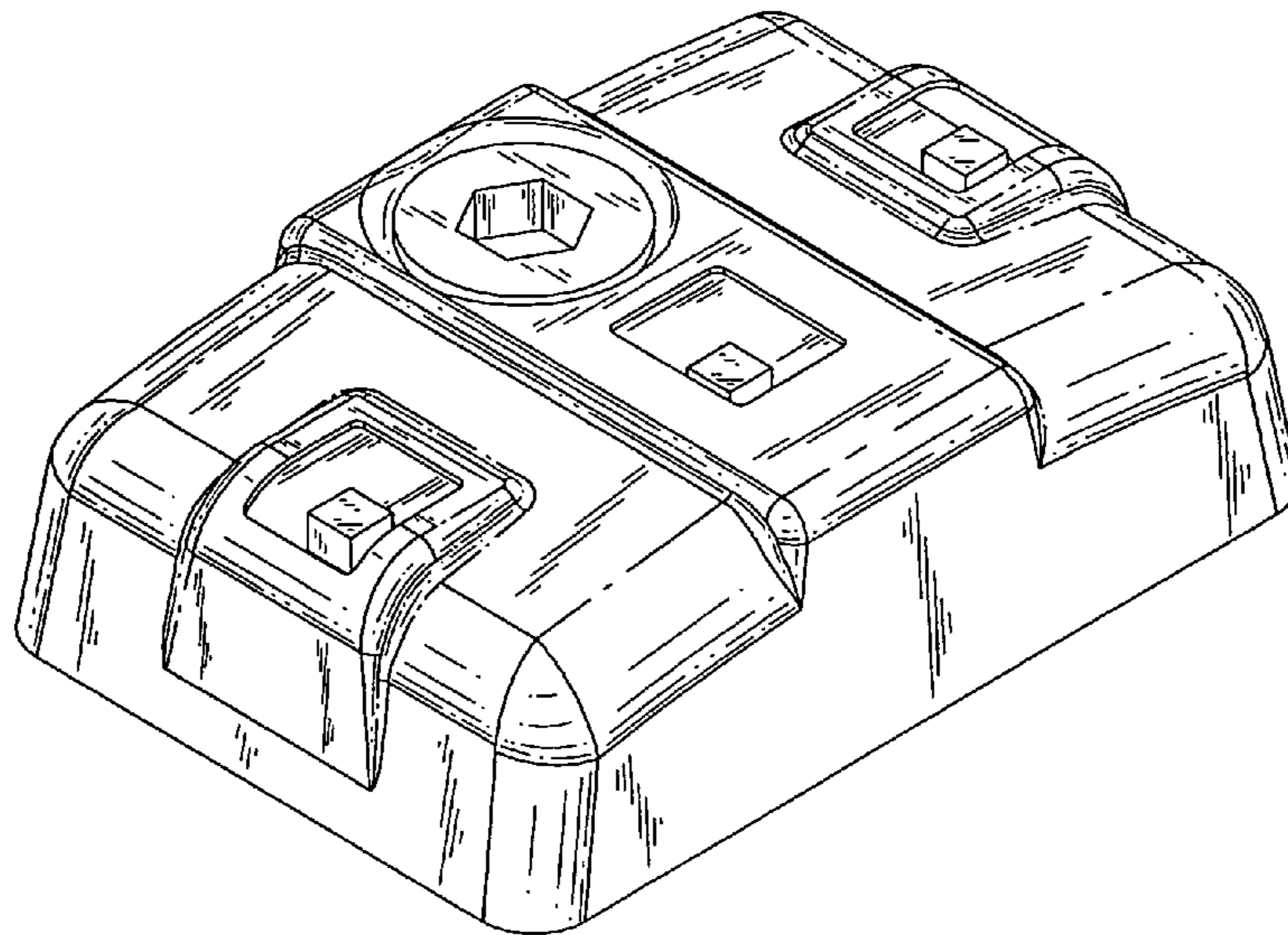
FIG. 1 is a top perspective view of a compact, self contained condition monitoring device showing the present invention;  
 FIG. 2 is a left side view of the compact, self contained condition monitoring device in FIG. 1 showing the present invention;  
 FIG. 3 is a right side view of the compact, self contained condition monitoring device in FIG. 1 showing the present invention;  
 FIG. 4 is a top view of the compact, self contained condition monitoring device in FIG. 1 showing the present invention;  
 FIG. 5 is a back view of the compact, self contained condition monitoring device in FIG. 1 showing the present invention;  
 FIG. 6 is a front side view of the compact, self contained condition monitoring device in FIG. 1 the present invention; and,  
 FIG. 7 is a back side of the compact, self contained condition monitoring device in FIG. 1 showing the present invention.

(56) **References Cited**

**U.S. PATENT DOCUMENTS**

D202,145	S	8/1965	Shroeder		
D303,670	S	9/1989	Adolfo		
D327,272	S	6/1992	Cadotte et al.		
5,150,568	A	*	9/1992	White	..... 60/797
D344,028	S	*	2/1994	Byar	..... D10/50
D349,710	S	8/1994	Moro		
D410,855	S	*	6/1999	Gordon	..... D10/49
D447,148	S	8/2001	Antony et al.		

**1 Claim, 3 Drawing Sheets**



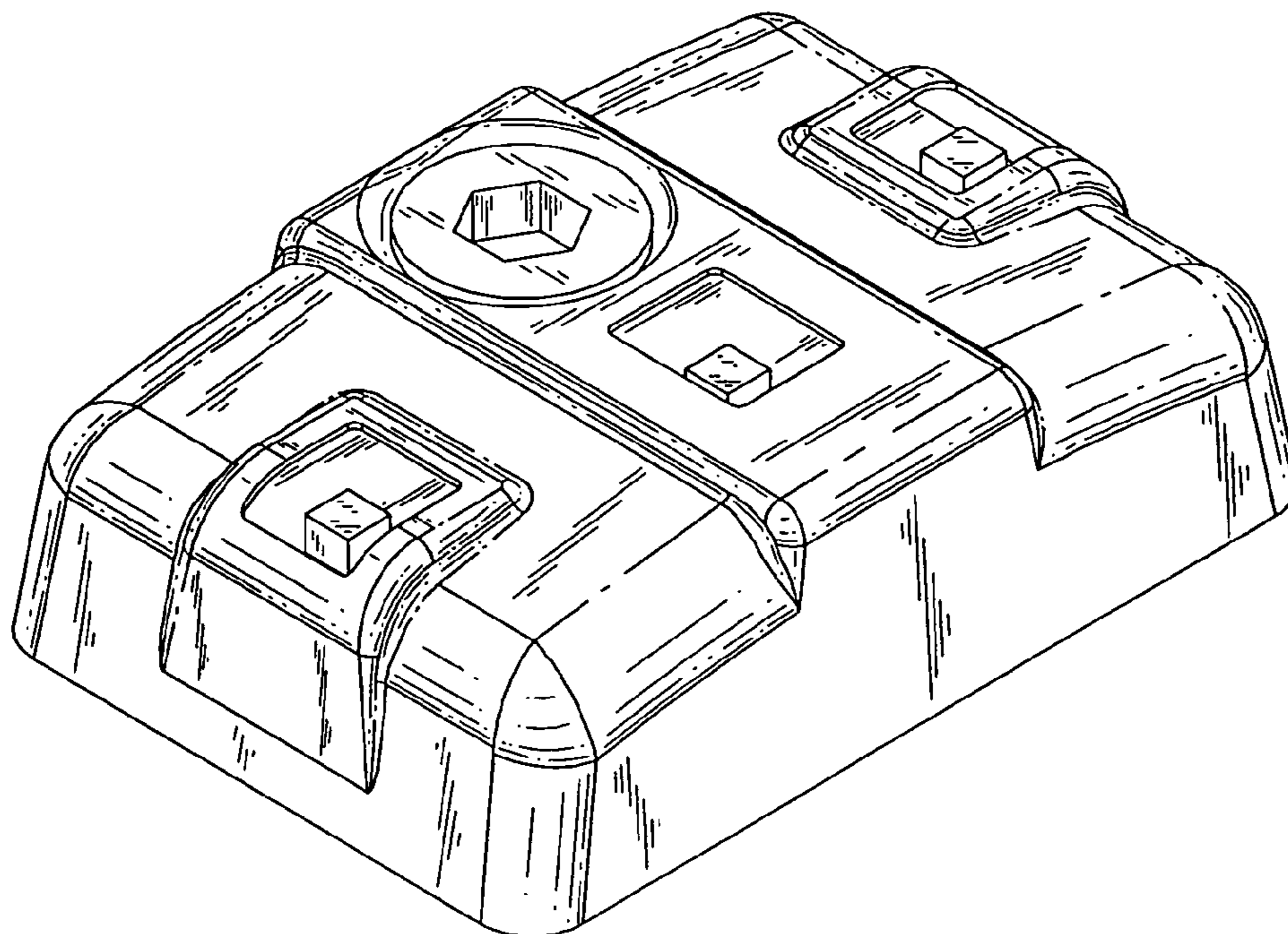


FIG. 1

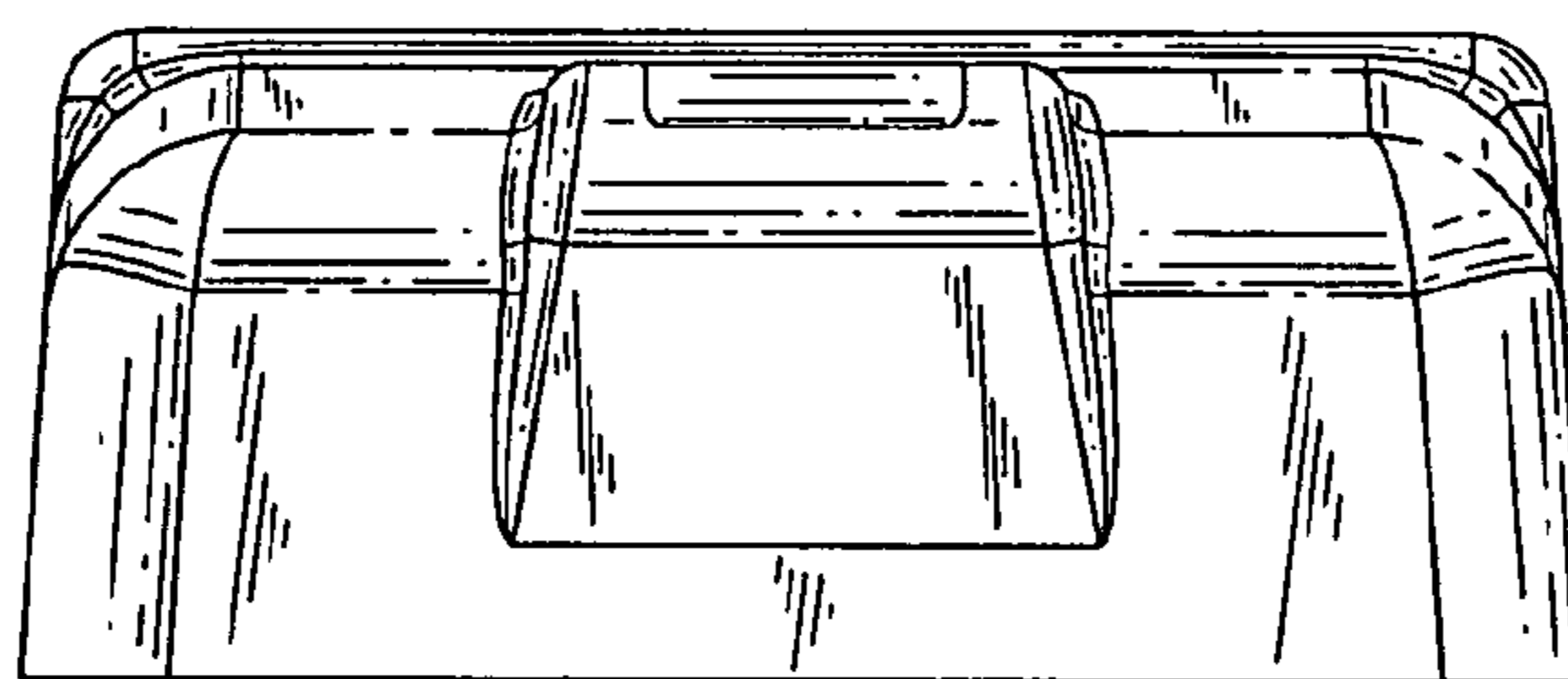


FIG. 2

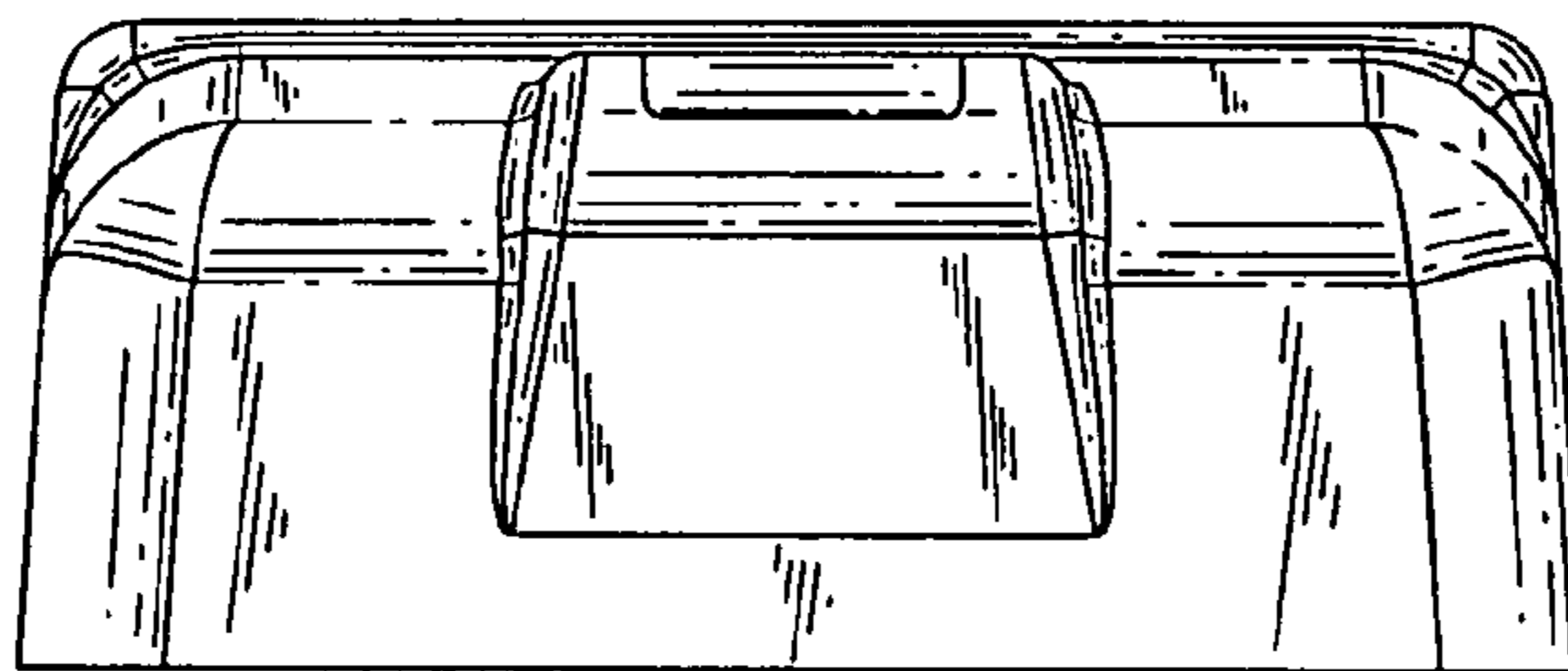
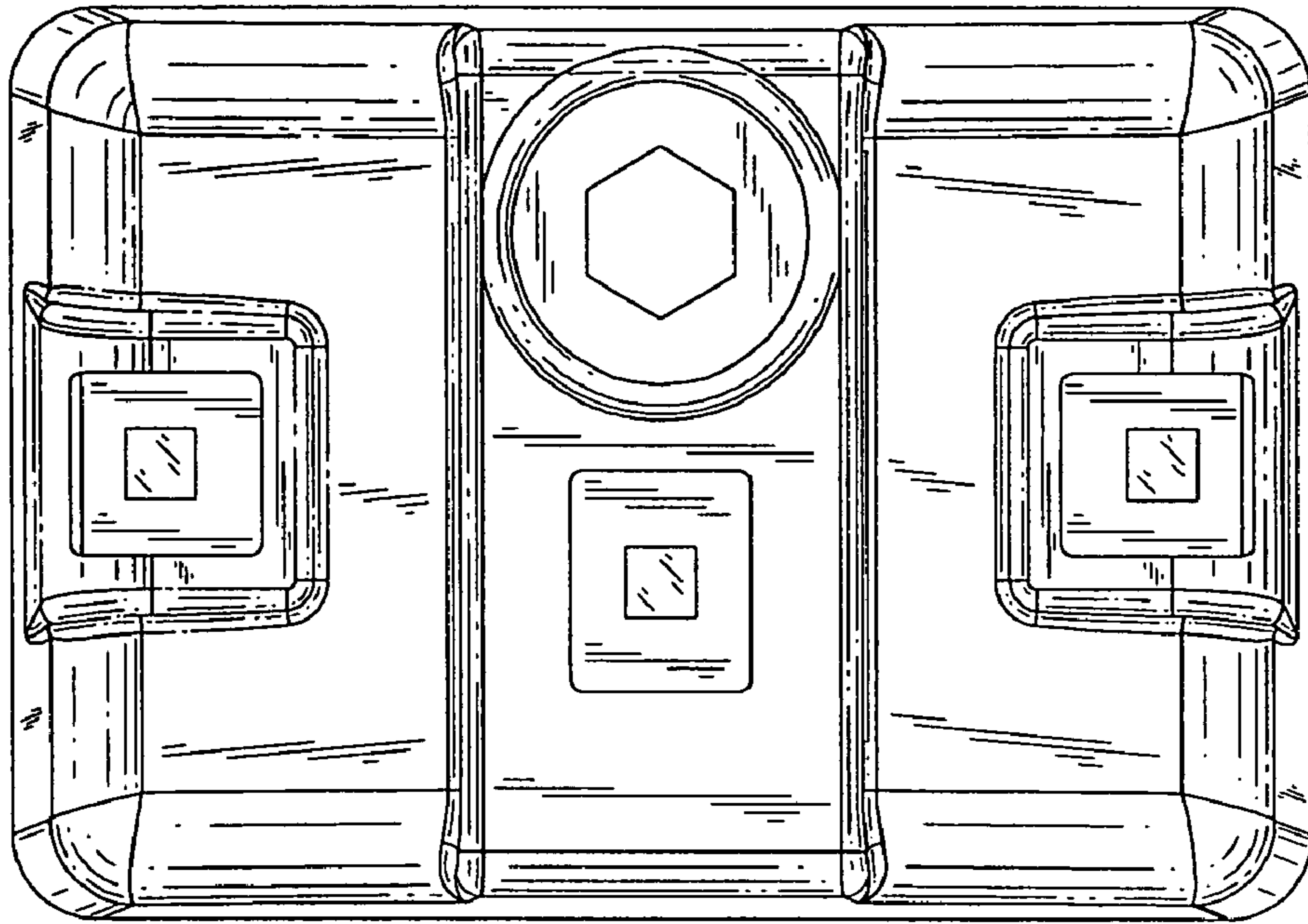
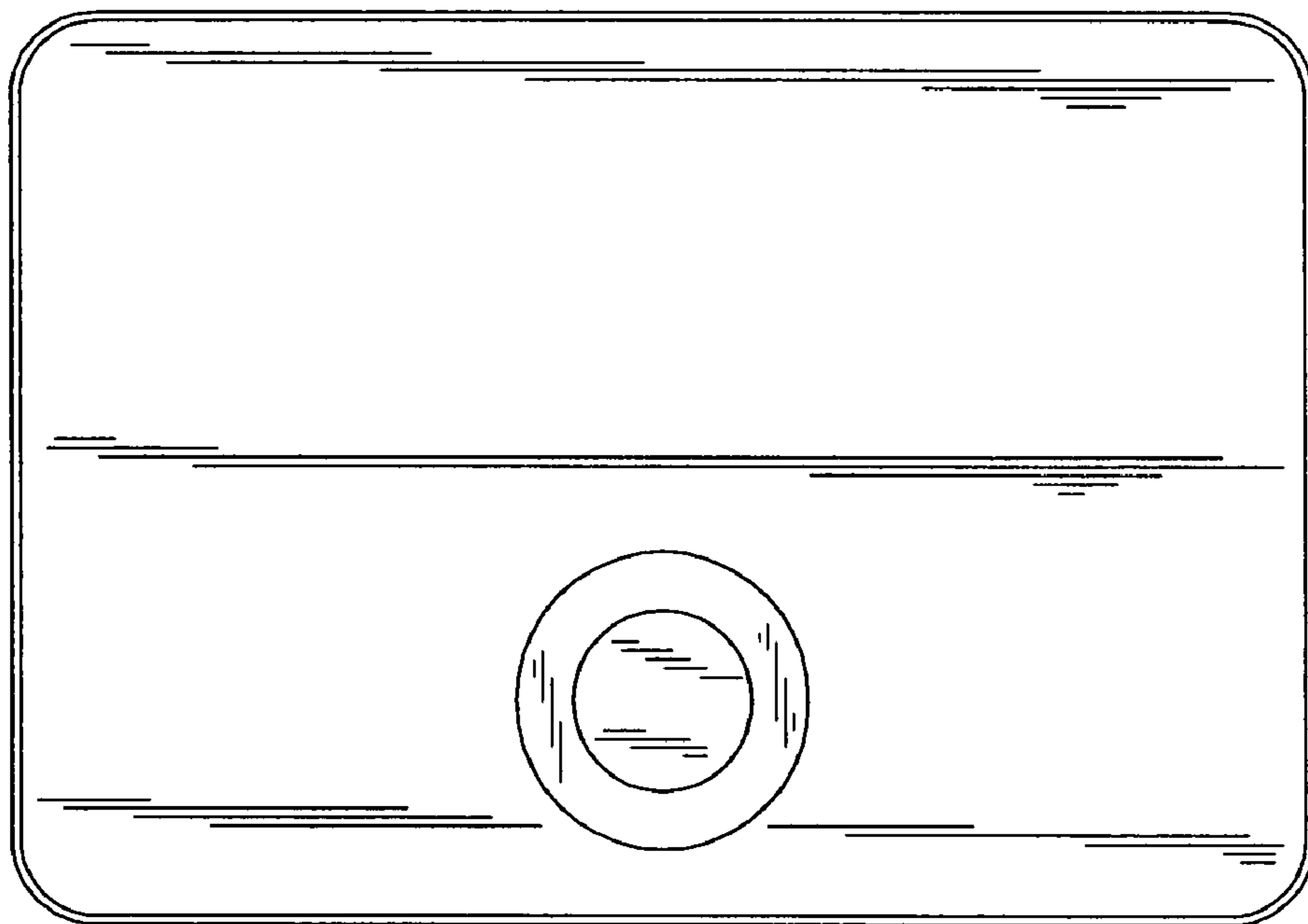


FIG. 3

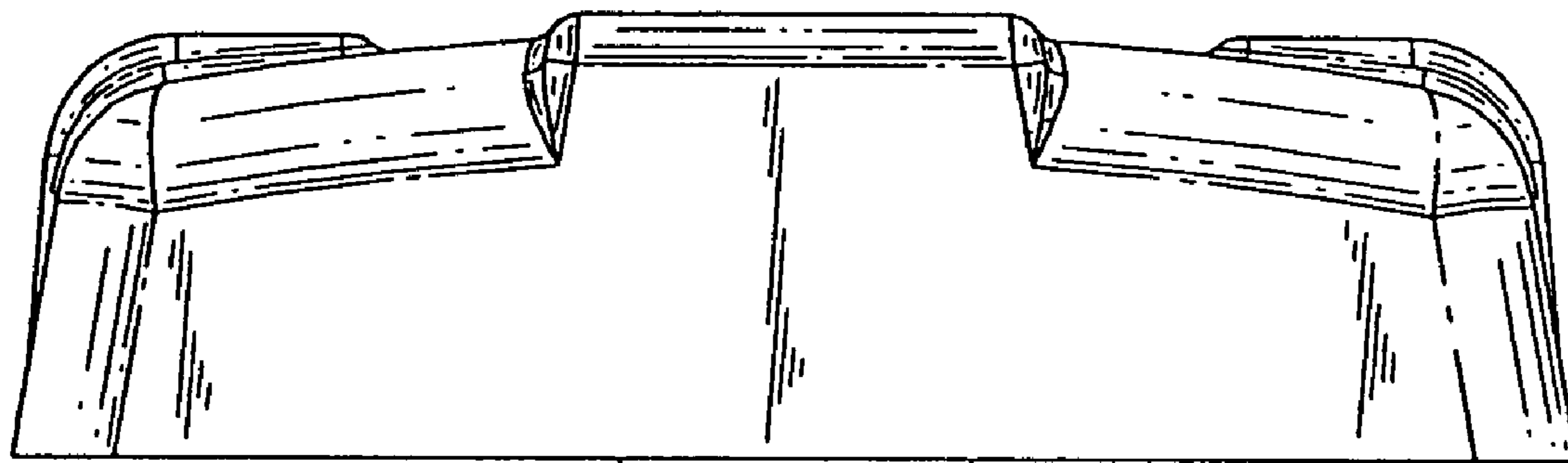


*FIG. 4*

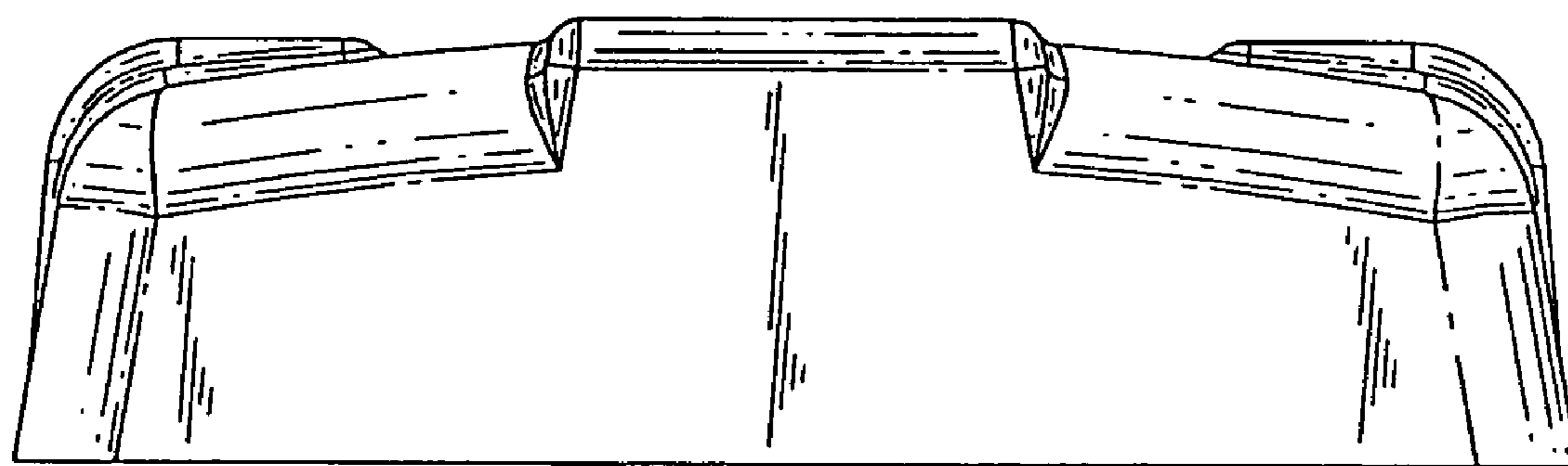


*FIG. 5*





*FIG. 6*



*FIG. 7*

UNITED STATES PATENT AND TRADEMARK OFFICE  
**CERTIFICATE OF CORRECTION**

PATENT NO. : Des. 586,670 S  
APPLICATION NO. : 29/292324  
DATED : February 17, 2009  
INVENTOR(S) : Mark Alexander Playford et al.

Page 1 of 1

It is certified that error appears in the above-identified patent and that said Letters Patent is hereby corrected as shown below:

On the cover sheet of the patent, line 14 under "DESCRIPTION" (paragraph 6), after "FIG. 1" please insert --showing--.

Signed and Sealed this

Second Day of June, 2009



JOHN DOLL  
*Acting Director of the United States Patent and Trademark Office*