



US00D586668S

(12) **United States Design Patent**
Dias

(10) **Patent No.:** **US D586,668 S**
(45) **Date of Patent:** **** Feb. 17, 2009**

(54) **WRIST WATCH CASE**

(76) Inventor: **M. Carlos Dias**, 1227 Carouge (CH)

(**) Term: **14 Years**

(21) Appl. No.: **29/236,775**

(22) Filed: **Aug. 22, 2005**

(30) **Foreign Application Priority Data**

Feb. 24, 2005 (WO) DM/066 738

(51) **LOC (9) Cl.** **10-02**

(52) **U.S. Cl.** **D10/38**

(58) **Field of Classification Search** D10/30-39,
D10/131; 368/276, 277, 281-283, 285, 288,
368/306, 308, 319

See application file for complete search history.

(56) **References Cited**

U.S. PATENT DOCUMENTS

D178,770 S *	9/1956	Doerwald	D10/39
D186,180 S *	9/1959	Diamond	D10/39
D195,421 S *	6/1963	Huguenin	D10/39
3,475,902 A *	11/1969	Wessel	368/10
5,255,248 A *	10/1993	Goodmon	368/228
5,467,325 A *	11/1995	Juillerat	368/276
D370,181 S *	5/1996	Krieger	D10/32
D382,815 S *	8/1997	Riley	D10/30
D399,763 S *	10/1998	Rabassa	D10/38
D404,322 S *	1/1999	Blondin	D10/39
D415,693 S *	10/1999	Kennedy	D10/30
D445,343 S *	7/2001	Schneider	D10/30
D447,427 S *	9/2001	Finazzi	D10/39
D508,416 S *	8/2005	Tang	D10/30
D517,432 S *	3/2006	Laucella	D10/39
D527,655 S *	9/2006	Dias	D10/38

OTHER PUBLICATIONS

Watches International VI, The Original Annual of the World's Finest Wristwatches, 2005, p. 456, Roger Dubuis EasyDiver Flying Tourbillon watch.*

Watches International VI, The Original Annual of the World's Finest Wristwatches, 2005, p. 96, Anonimo watch.*

Watches International VI, The Original Annual of the World's Finest Wristwatches, 2005, p. 243, F.P. Journe-inventit et Fecit "Tourbillon Souveraine" watch.*

Watches International VI, The Original Annual of the World's Finest Wristwatches, 2005, p. 343, back of Jaquet Droz "Tourbillon Repeition Minutes" watch.*

* cited by examiner

Primary Examiner—Lucy Lieberman

(74) *Attorney, Agent, or Firm*—Sturm & Fix LLP

(57) **CLAIM**

The ornamental design for a wrist watch case, as shown and described.

DESCRIPTION

FIG. 1 is a perspective view of a wrist watch case showing my new design;

FIG. 2 is a front elevation thereof;

FIG. 3 is a rear elevation thereof, certain working parts inside of the watch which are not being claimed, including everything inside of the two circular windows on the back of the watch and everything inside the non-circular window located above the two circular windows, is intended to be in broken lines and therefore everything inside these three windows are not part of the claimed invention;

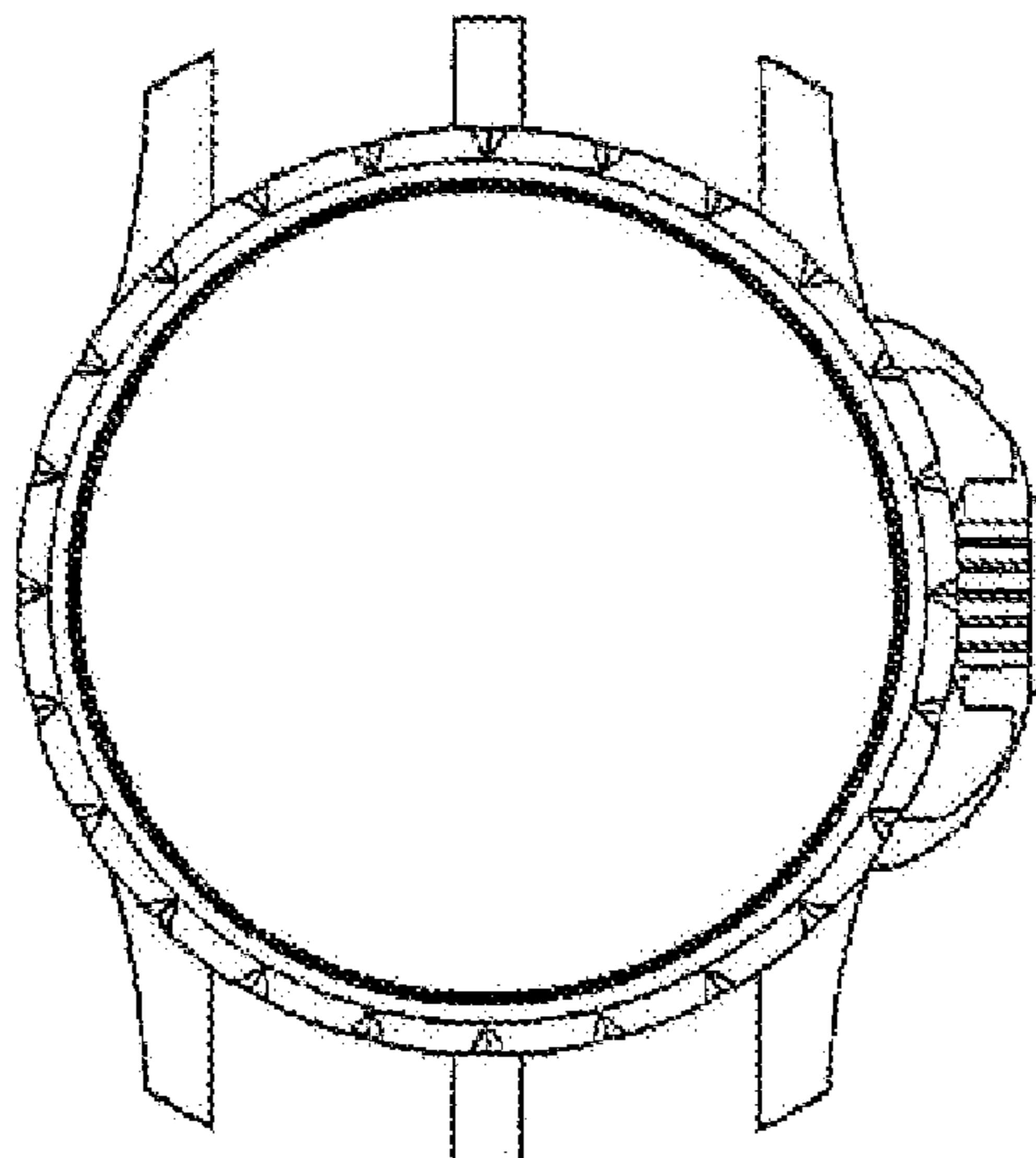
FIG. 4 is a right side view thereof;

FIG. 5 is a left side view thereof;

FIG. 6 is a bottom view thereof; and,

FIG. 7 is a top view thereof.

1 Claim, 2 Drawing Sheets



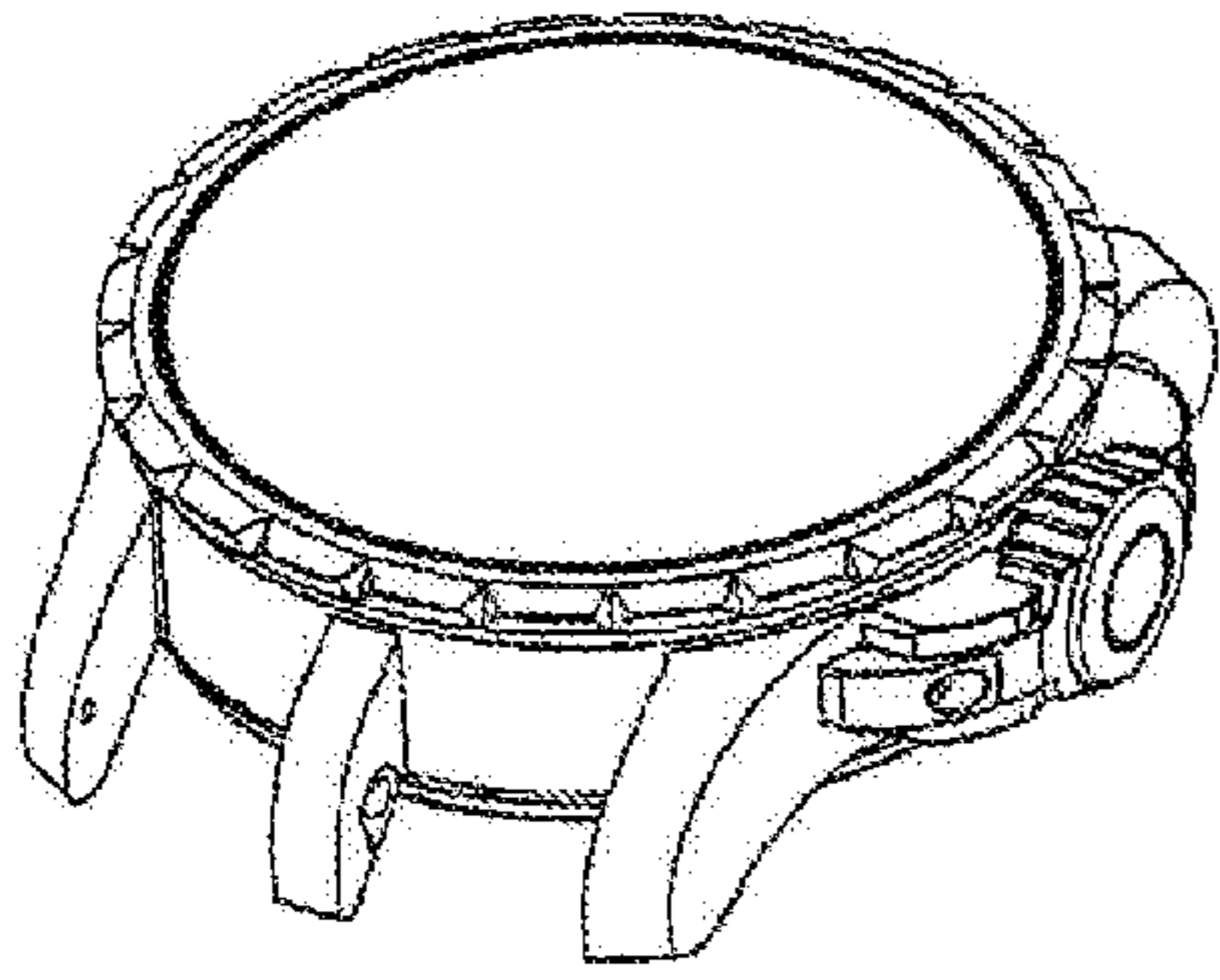


FIG. 1

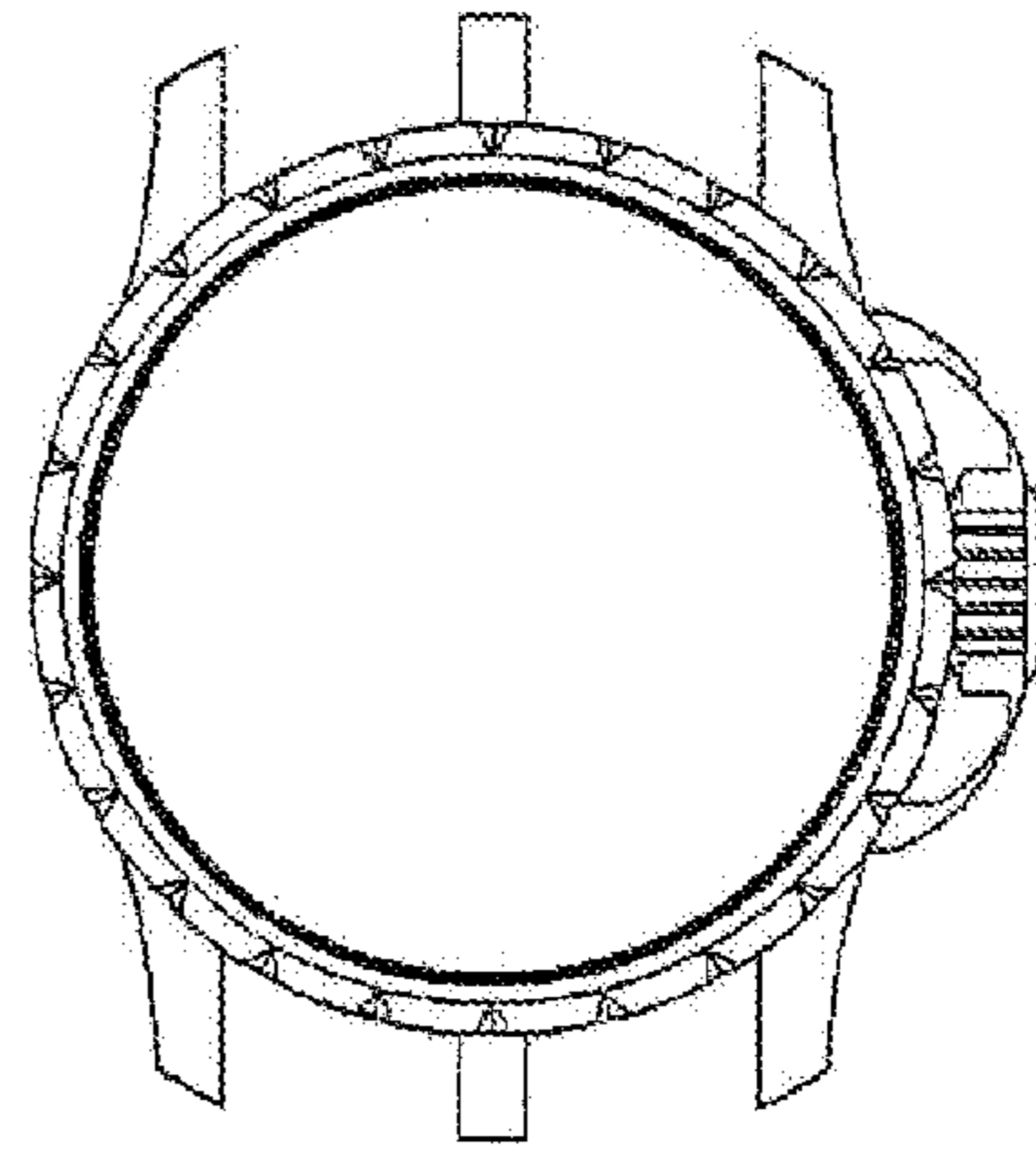


FIG. 2

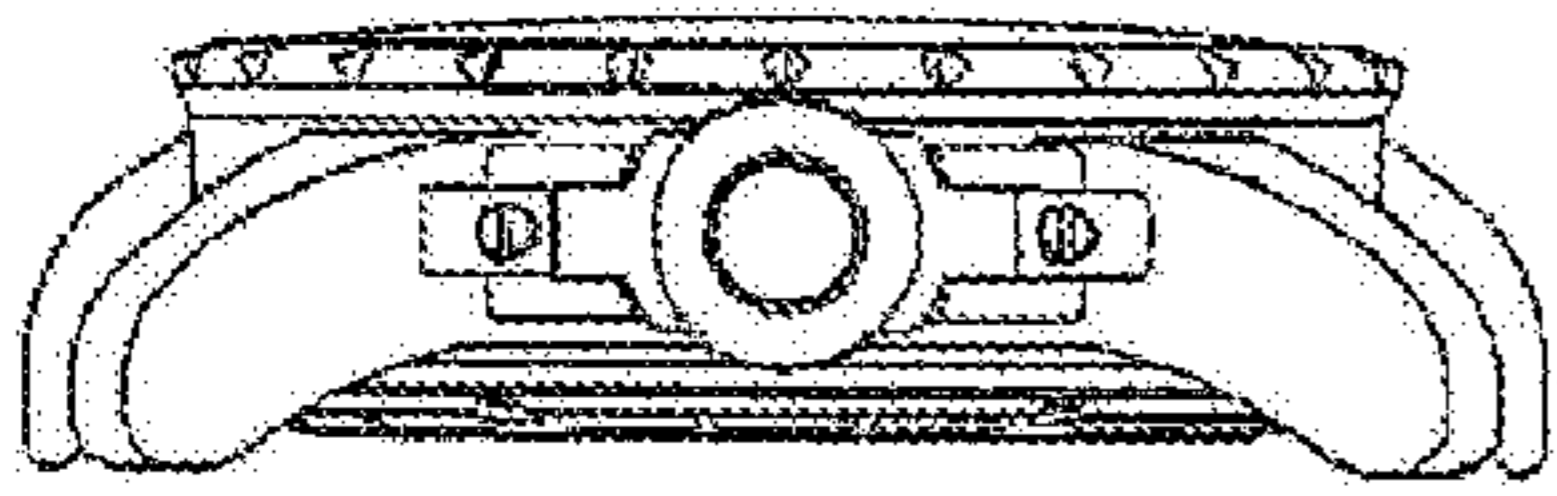


FIG. 4

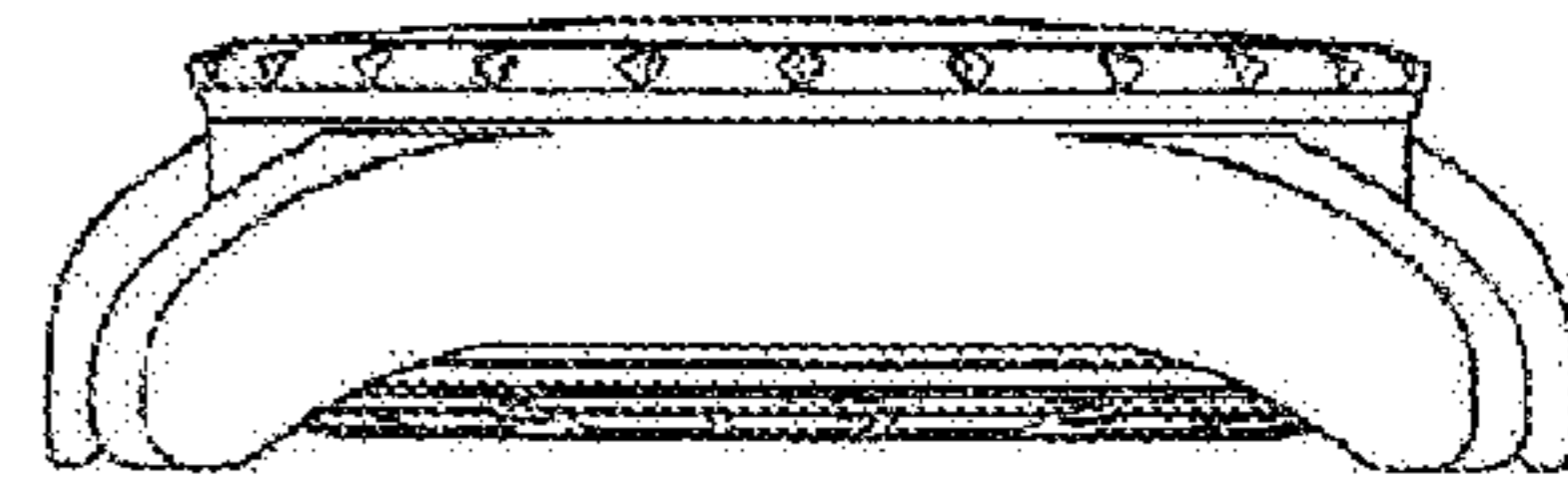


FIG. 5

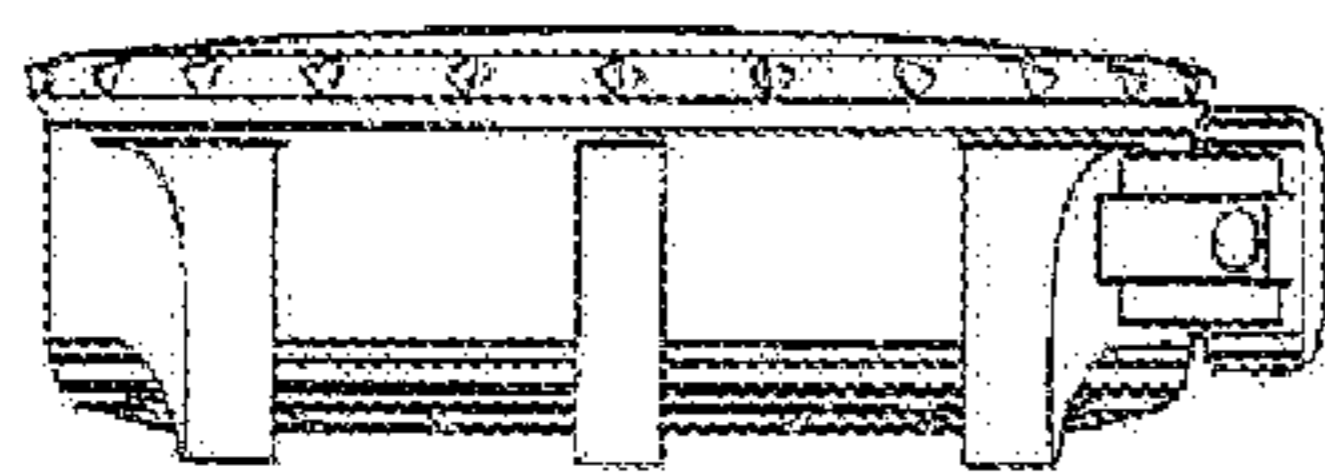


FIG. 6

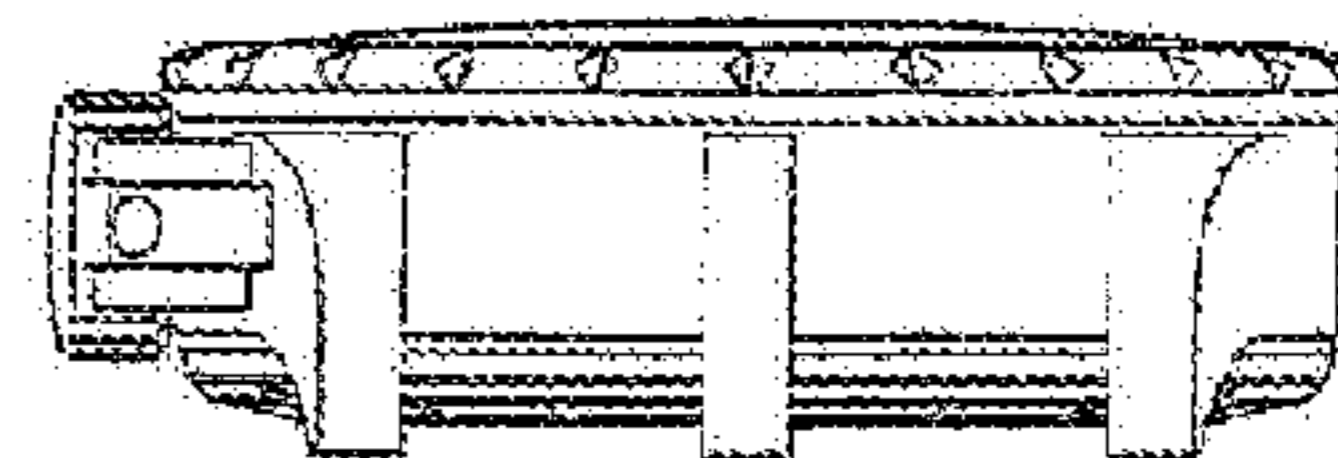


FIG. 7



FIG. 3