



US00D586664S

(12) **United States Design Patent**
Darr et al.

(10) **Patent No.:** **US D586,664 S**
(45) **Date of Patent:** **** Feb. 17, 2009**

(54) **NESTABLE PLASTIC CONTAINER**

(75) Inventors: **Richard C. Darr**, Medina, OH (US);
James J. Miller, Barberton, OH (US);
Richard A. Lovelace, Jr., Akron, OH (US)

(73) Assignee: **Plastipak Packaging, Inc.**, Plymouth, MI (US)

(**) Term: **14 Years**

(21) Appl. No.: **29/272,726**

(22) Filed: **Feb. 13, 2007**

(51) **LOC (9) Cl.** **09-01**

(52) **U.S. Cl.** **D9/745; D9/737; D9/738; D9/743**

(58) **Field of Classification Search** D9/737, D9/738, 743, 745, 516, 522, 523, 526, 529, D9/530, 537, 539, 540, 541, 542, 543, 549, D9/551, 553, 556, 557, 558, 559, 560, 564, D9/566, 569, 570, 571, 574, 575; 215/381–385, 215/396, 398

See application file for complete search history.

(56) **References Cited**

U.S. PATENT DOCUMENTS

D201,052 S *	5/1965	Josephsen	D9/542
D347,391 S *	5/1994	Guertin	D9/566
5,316,159 A *	5/1994	Douglas et al.	215/10
D373,537 S *	9/1996	Schirado	D9/572
D398,539 S *	9/1998	Guislain	D9/564
D411,803 S *	7/1999	Guertin	D9/520
D421,721 S *	3/2000	Guertin	D9/520
D528,427 S *	9/2006	Sasaki et al.	D9/541
D533,071 S *	12/2006	Forget	D9/564
D536,985 S *	2/2007	Forget	D9/541
D560,496 S *	1/2008	Heisner	D9/516

D568,167 S *	5/2008	Sasaki et al.	D9/560
D568,169 S *	5/2008	Sasaki et al.	D9/570
D569,737 S *	5/2008	Ogawa et al.	D9/740
2006/0151425 A1 *	7/2006	Kelley et al.	215/381
2007/0039918 A1 *	2/2007	Lane et al.	215/381
2007/0170144 A1 *	7/2007	Lane et al.	215/383
2007/0187354 A1 *	8/2007	Sasaki	215/384

* cited by examiner

Primary Examiner—Stella M Reid

Assistant Examiner—Elizabeth J Oswecki

(74) *Attorney, Agent, or Firm*—Dykema Gossett PLLC

(57) **CLAIM**

The ornamental design for a nestable plastic container, as shown and described.

DESCRIPTION

FIG. 1 is a top, front and right side perspective view of a plastic container showing our new design;

FIG. 2 is a top, rear and left side perspective view thereof;

FIG. 3 is a right side elevation view thereof;

FIG. 4 is a left side elevation view thereof;

FIG. 5 is a top plan view thereof;

FIG. 6 is a bottom plan view thereof;

FIG. 7 is a front elevation view thereof;

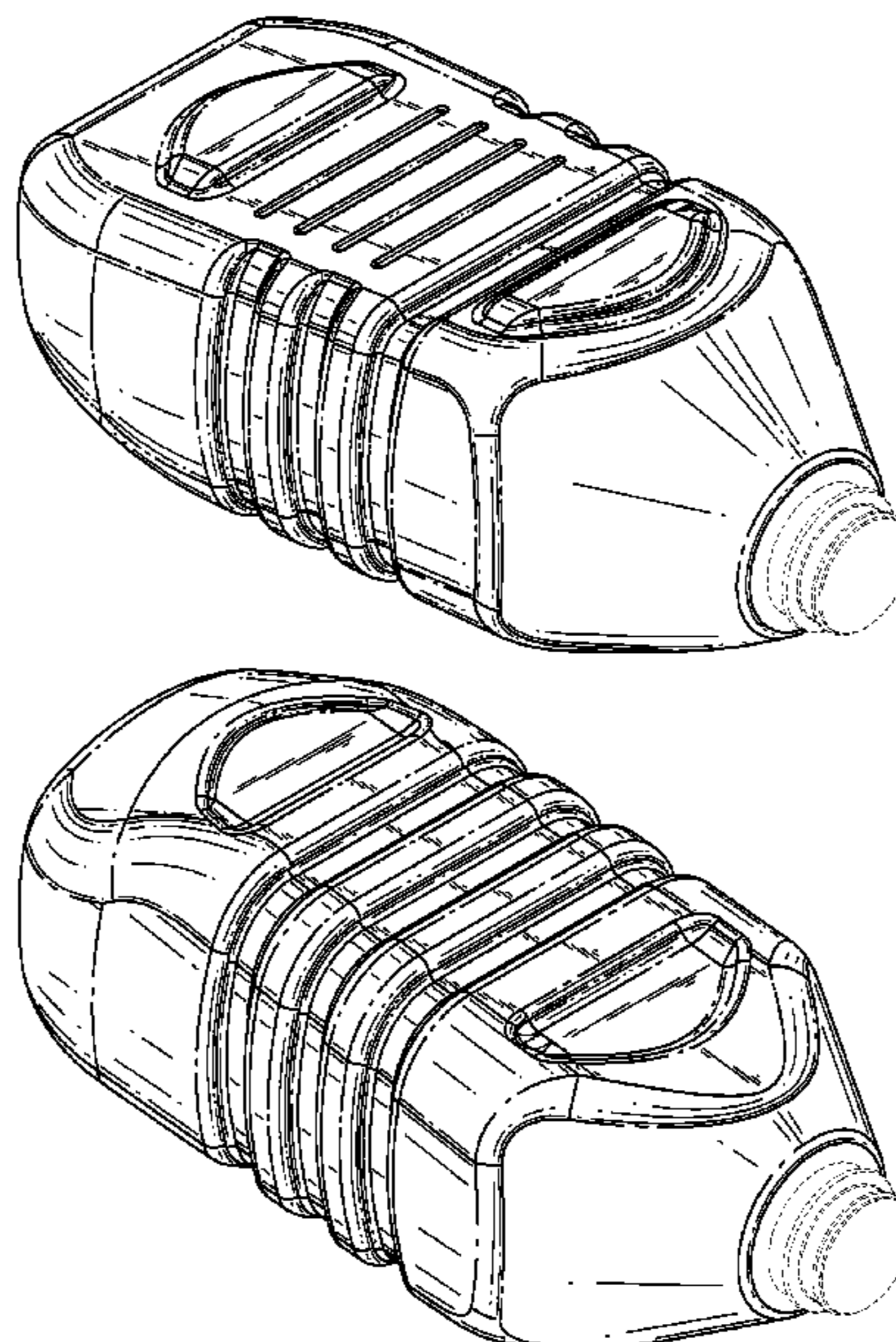
FIG. 8 is a rear elevation view thereof;

FIG. 9 is a right side elevation view of two nested plastic containers as shown in FIG. 1, in use condition; and,

FIG. 10 is a cross sectional view taken along the line 10—10 in FIG. 7.

The broken line showing of a pour spout and bottom of the bottle is included for the purpose of illustrating only and forms no part of the claimed design.

1 Claim, 4 Drawing Sheets



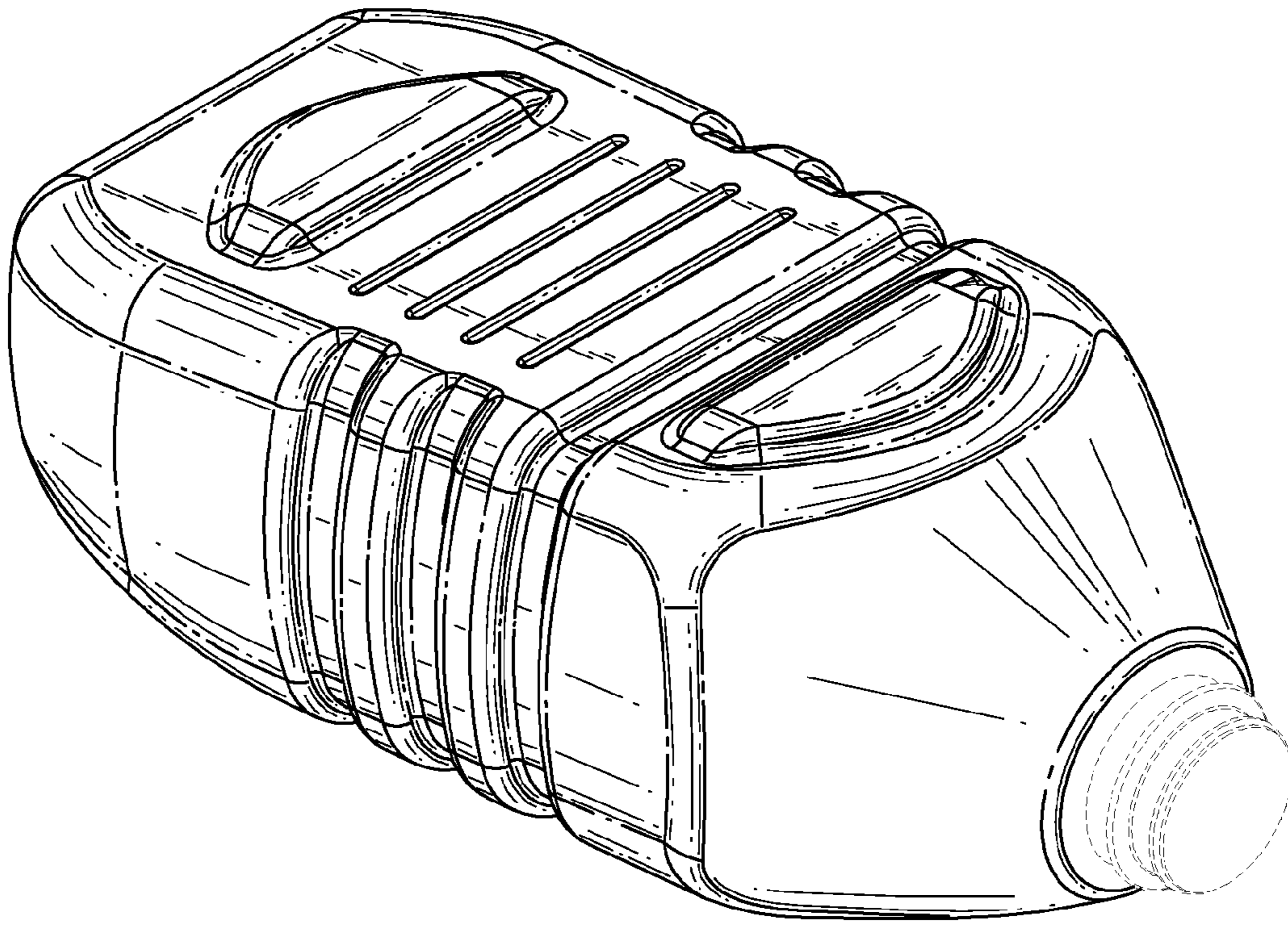


FIG. 1

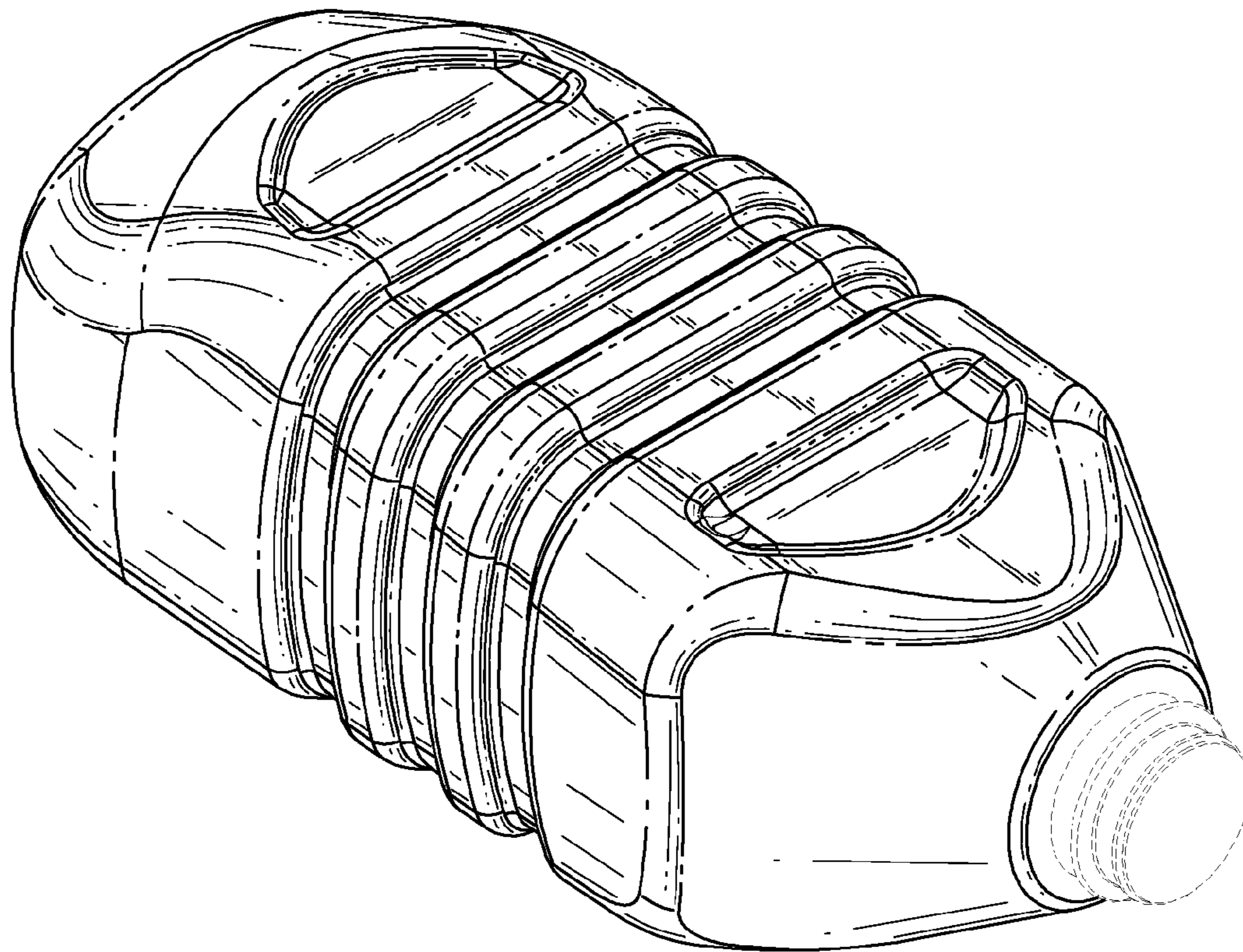


FIG. 2

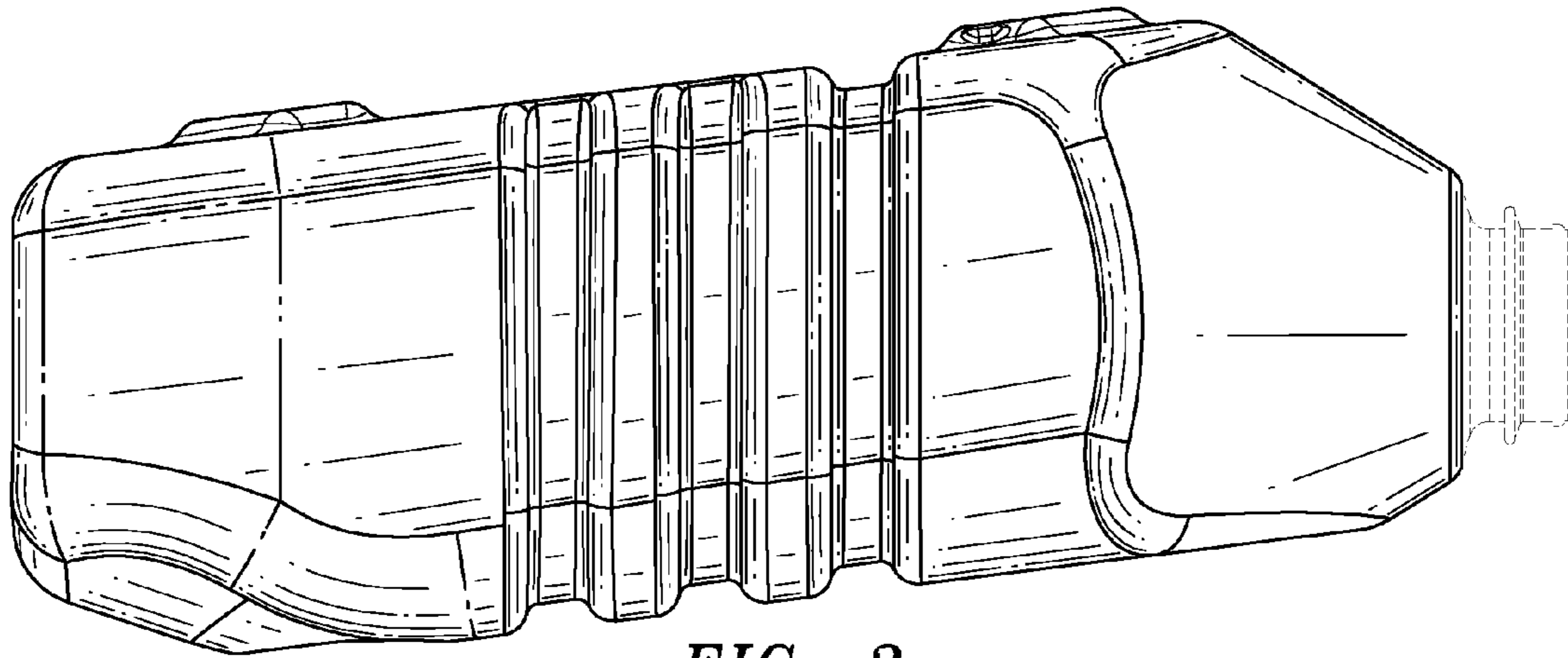


FIG. 3

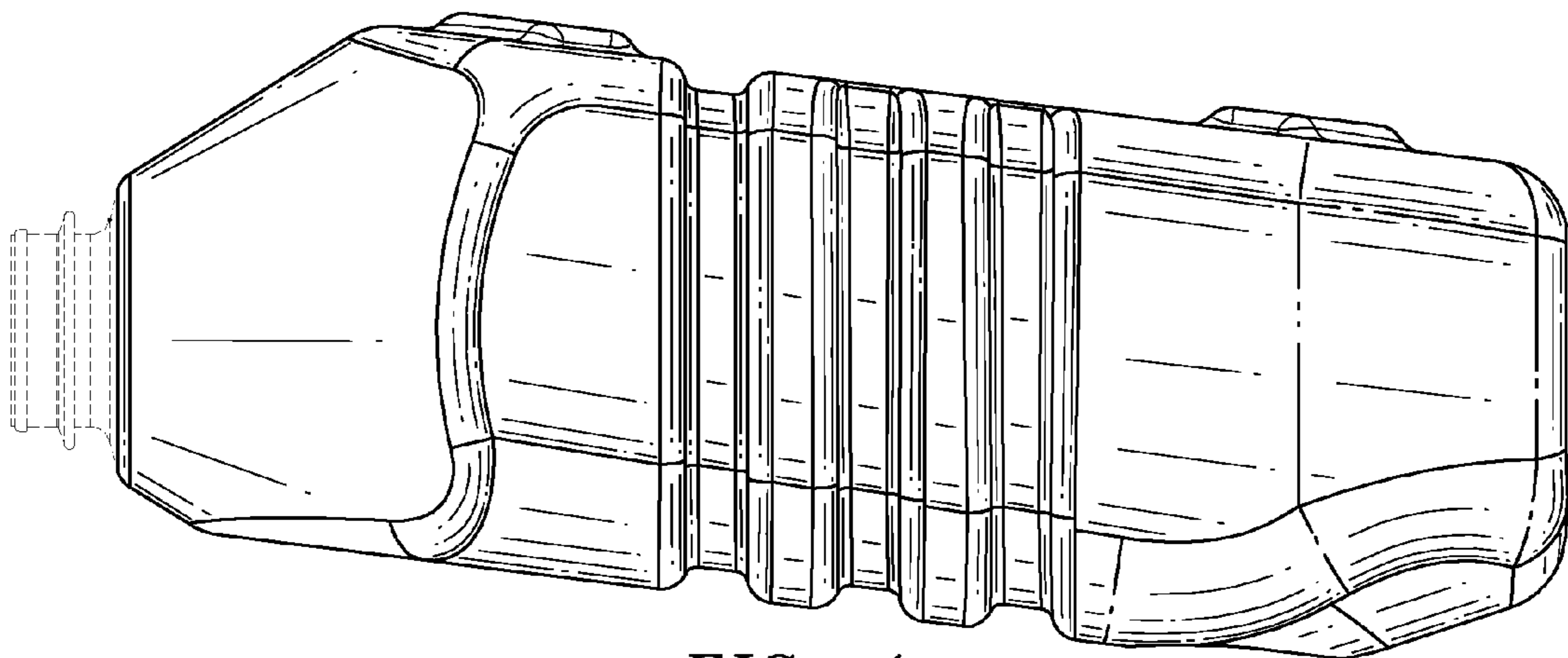


FIG. 4

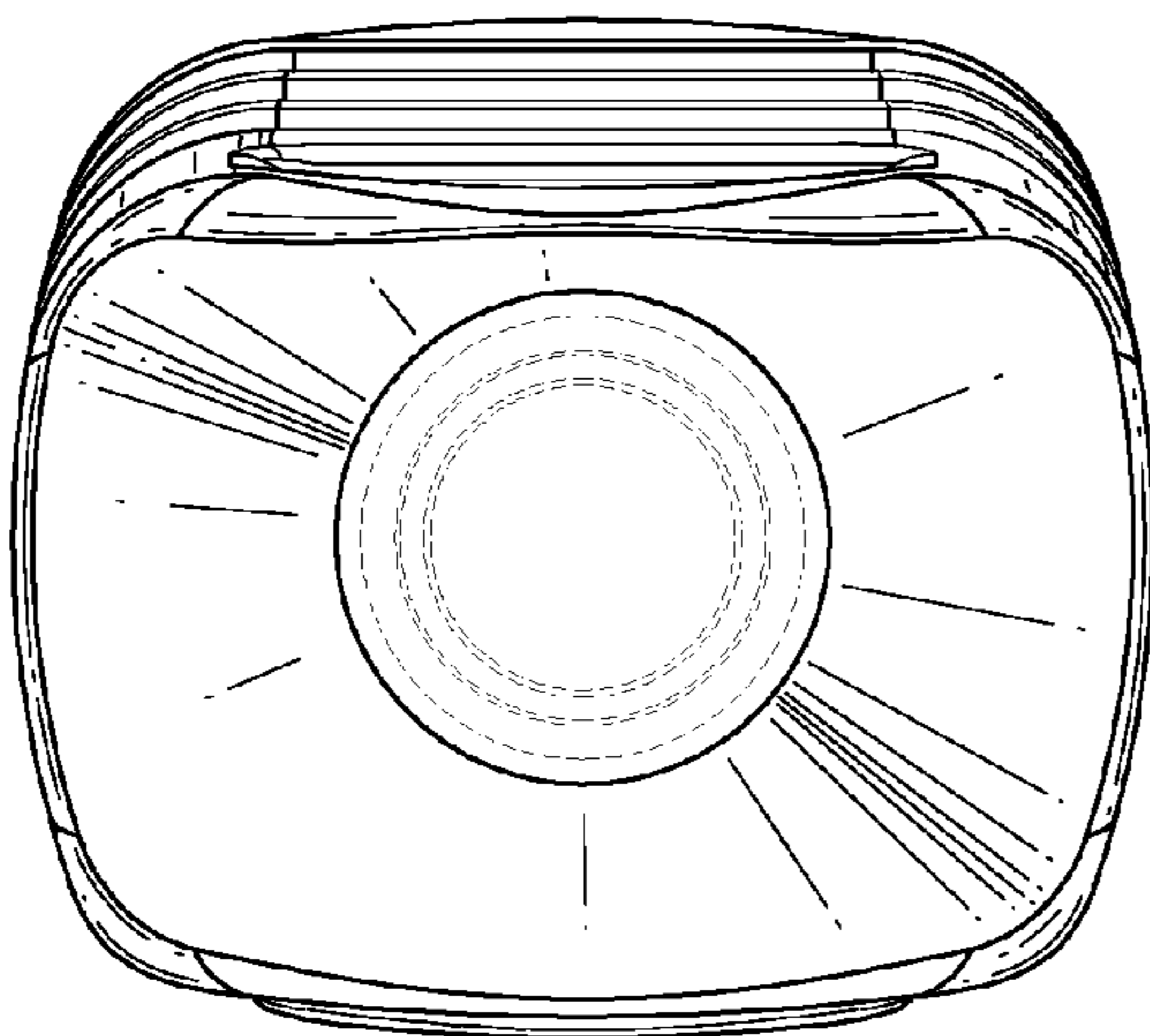


FIG. 5

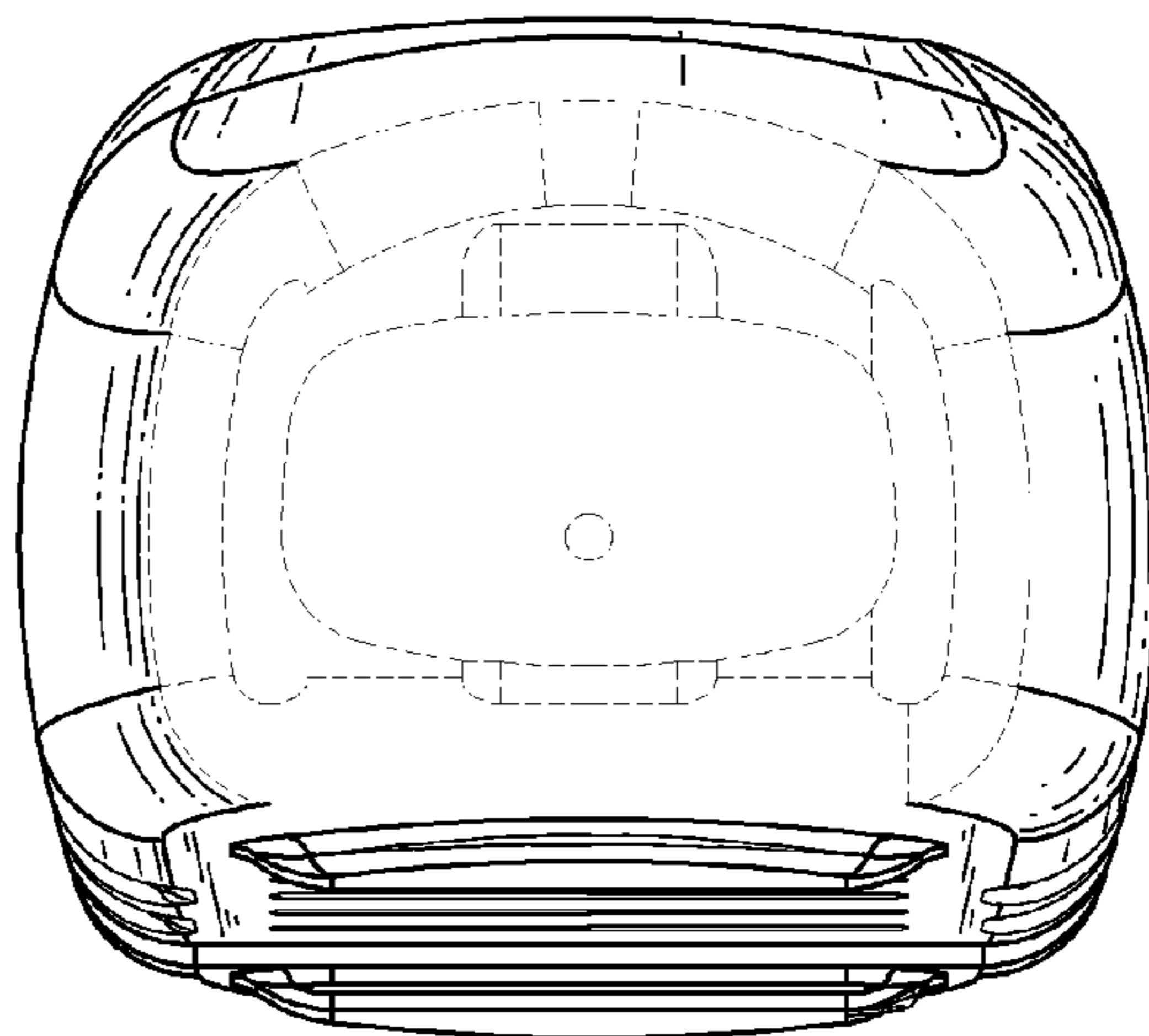


FIG. 6

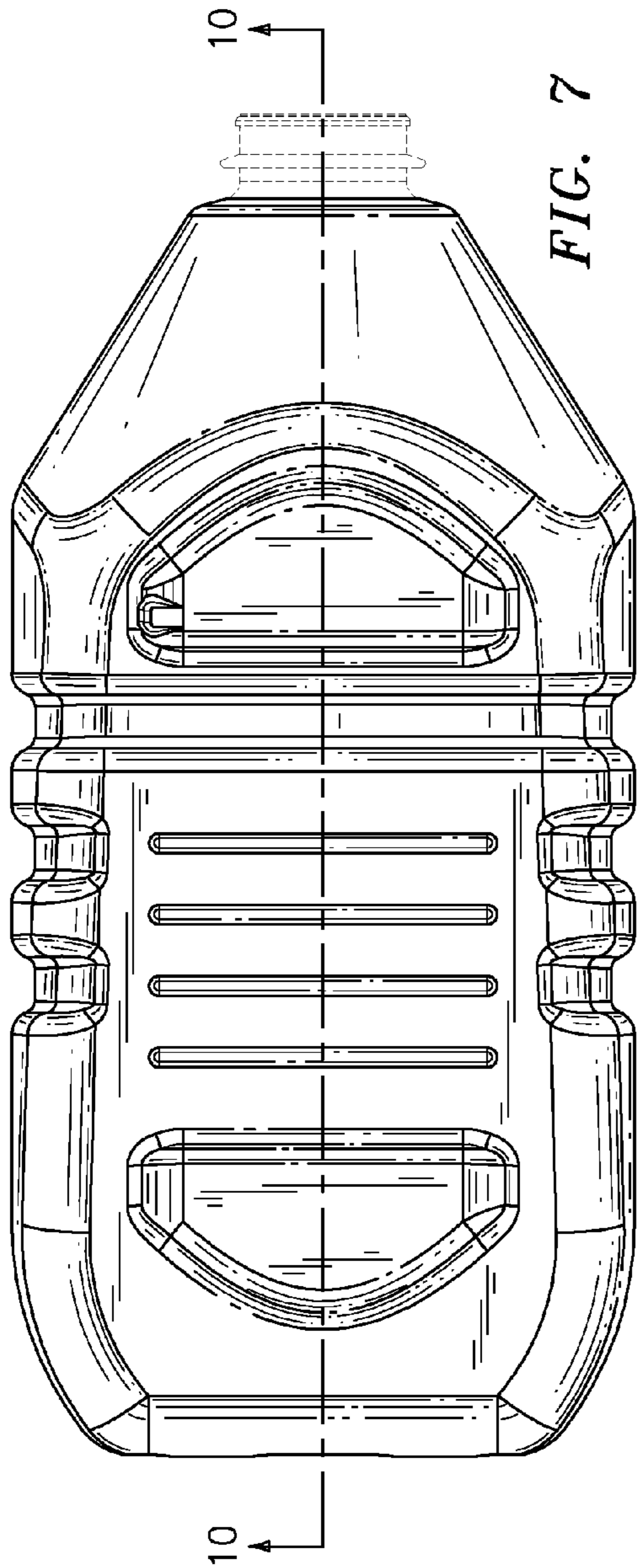


FIG. 7

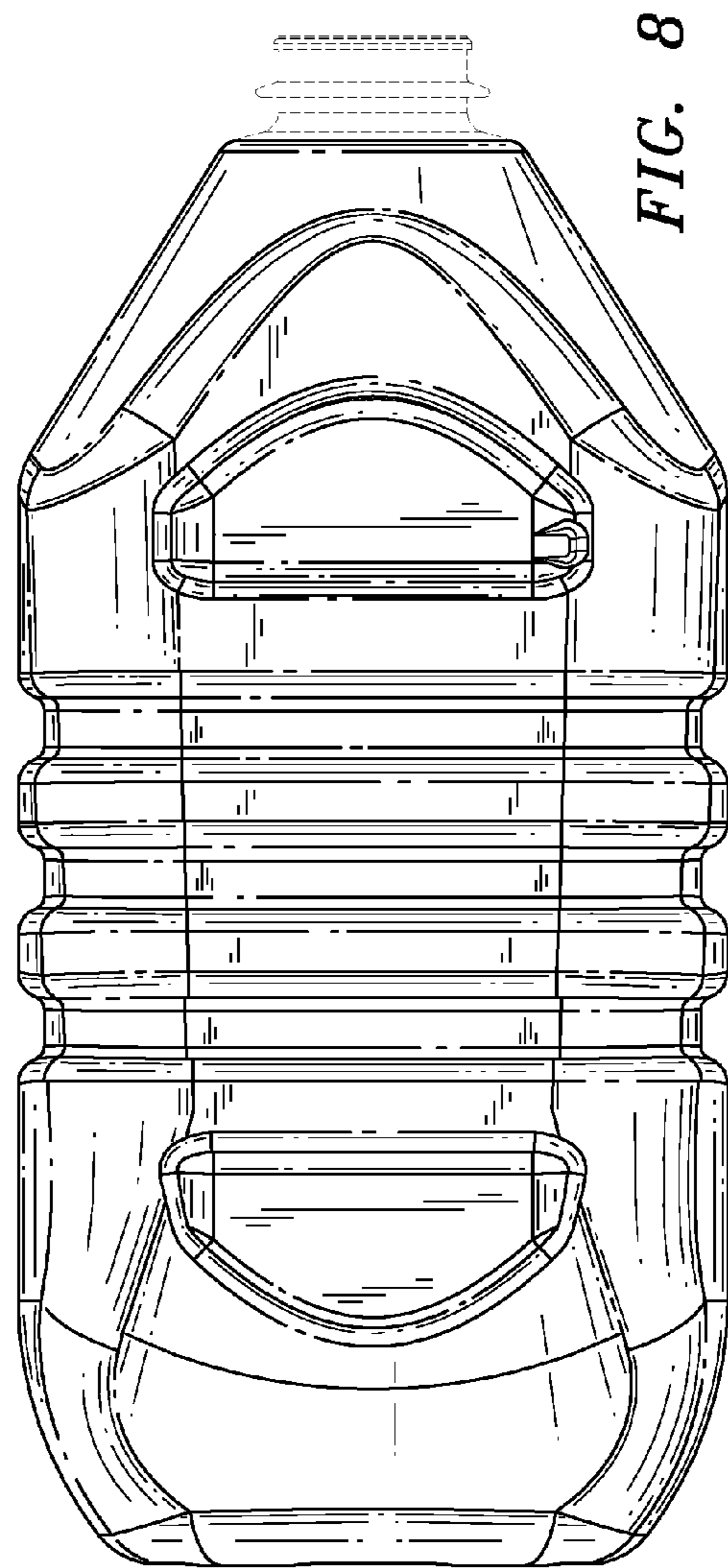


FIG. 8

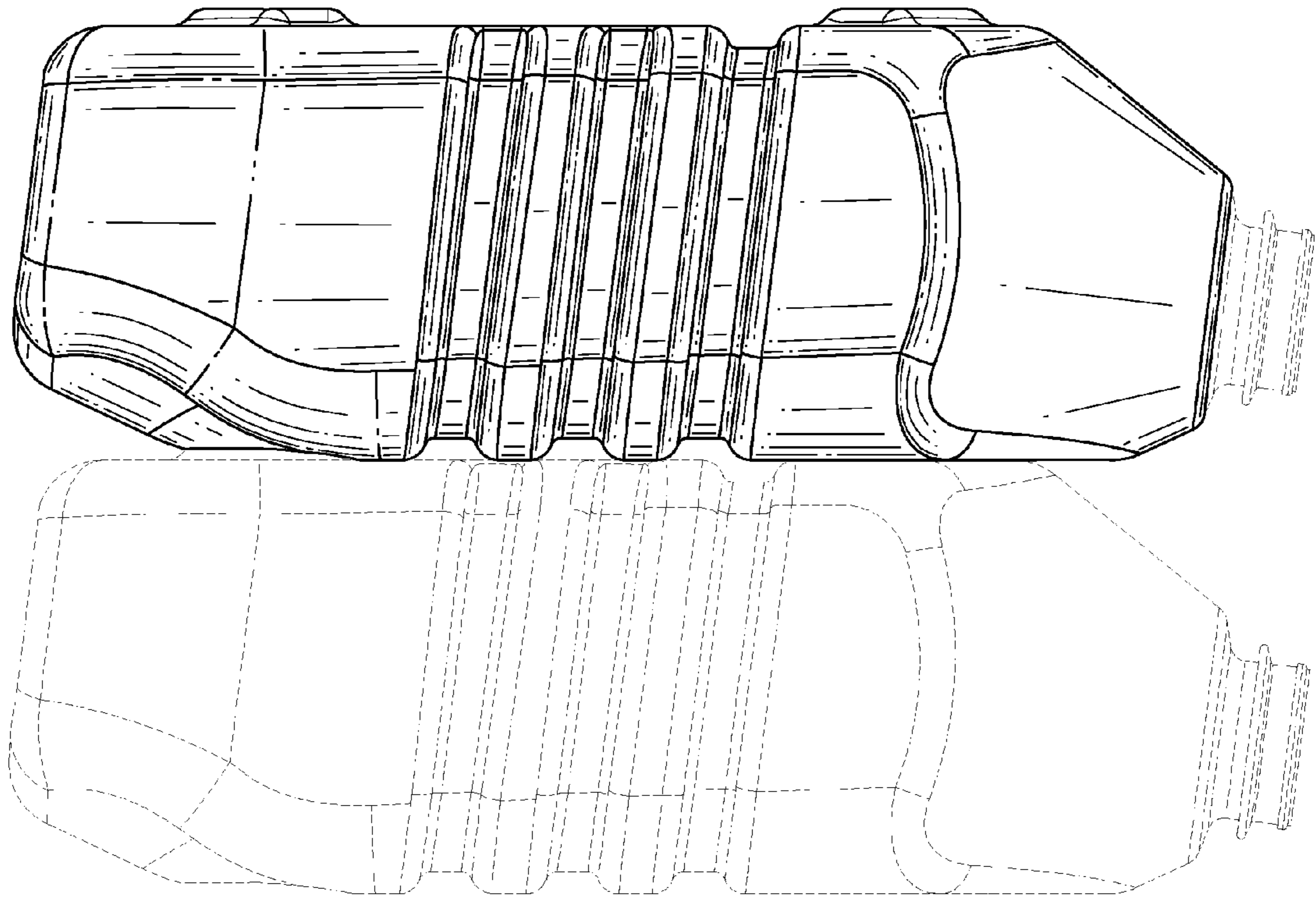


FIG. 9

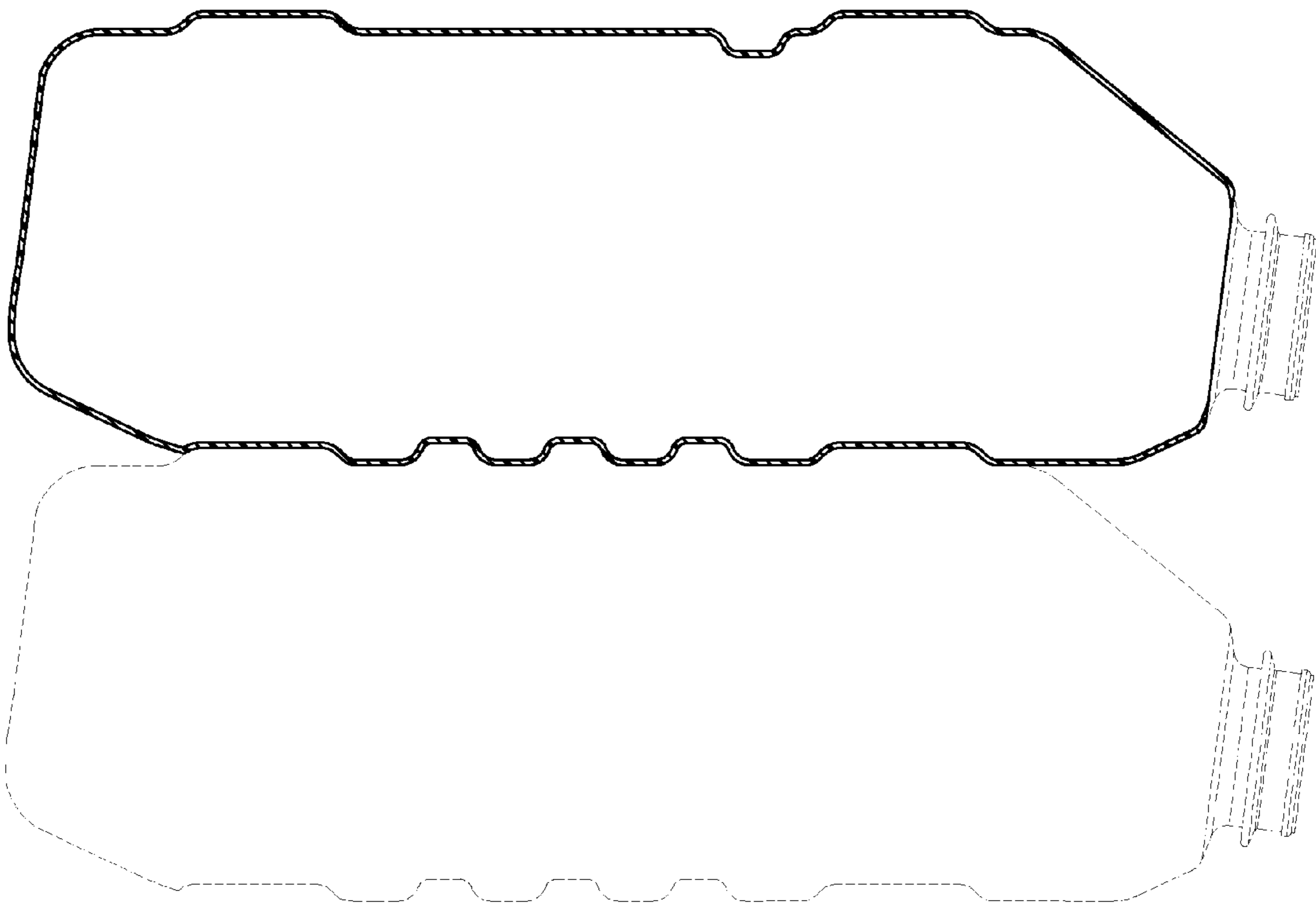


FIG. 10

UNITED STATES PATENT AND TRADEMARK OFFICE
CERTIFICATE OF CORRECTION

PATENT NO. : Des. 586,664 S
APPLICATION NO. : 29/272726
DATED : February 17, 2009
INVENTOR(S) : Richard C. Darr, James J. Miller and Richard A. Lovelace, Jr.

Page 1 of 1

It is certified that error appears in the above-identified patent and that said Letters Patent is hereby corrected as shown below:

On the title page, after Item (75) Inventors: "Rchard C. Darr" should be -- Richard C. Darr --

Signed and Sealed this

Thirty-first Day of March, 2009



JOHN DOLL
Acting Director of the United States Patent and Trademark Office