



US00D586663S

(12) **United States Design Patent**
Tidqvist

(10) **Patent No.:** **US D586,663 S**

(45) **Date of Patent:** **** Feb. 17, 2009**

(54) **FLOWER PACKAGE**

D536,856 S * 2/2007 Davi D1/117

(75) Inventor: **Mikael Tidqvist**, Villagatan 9, Tidaholm
(SE) S-522 31

* cited by examiner

(73) Assignee: **Mikael Tidqvist**, Tidaholm (SE)

Primary Examiner—Caron Veynar

Assistant Examiner—Abraham Bahta

(74) *Attorney, Agent, or Firm*—Nixon & Vanderhye, P.C.

(**) Term: **14 Years**

(57) **CLAIM**

(21) Appl. No.: **29/277,495**

The ornamental design for a “flower package,” as shown and described.

(22) Filed: **Feb. 28, 2007**

(30) **Foreign Application Priority Data**

DESCRIPTION

Aug. 31, 2006 (SE) 2006/0461

FIG. 1 is a perspective front left view of the flower package including a package cover showing my design;

(51) **LOC (9) Cl.** **09-05**

FIG. 2 is a front view of the flower package of FIG. 1;

(52) **U.S. Cl.** **D9/711**

FIG. 3 is a rear view of the flower package of FIG. 1;

(58) **Field of Classification Search** D9/711–714,
D9/414, 418, 431–433, 499; 229/87.06,
229/100, 103.2, 108, 87.01, 800; 383/106,
383/120, 907; 47/41.01, 41.1, 65.5, 68, 72,
47/65.8; 206/423, 426

FIG. 4 is a top view of the flower package of FIG. 1;

FIG. 5 is a bottom view of the flower package of FIG. 1;

See application file for complete search history.

FIG. 6 is a left side view of the flower package, the right side view being essentially a mirror image thereof;

(56) **References Cited**

FIG. 7 is a plan view of the cover of the flower package of FIG. 1 shown separately for ease of illustration, the cover being flat with unadorned bottom;

U.S. PATENT DOCUMENTS

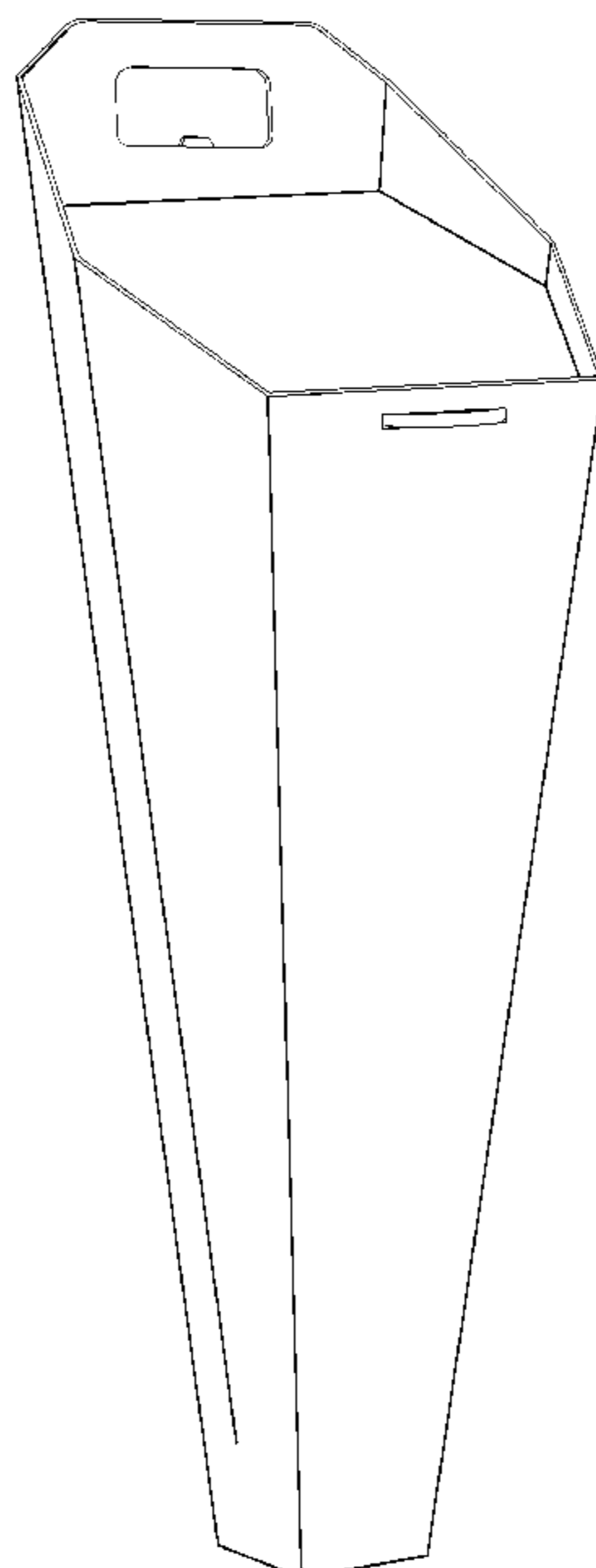
D300,521 S * 4/1989 Toltzman D11/155
D301,991 S * 7/1989 Van Sant D11/149
D308,019 S * 5/1990 Mileos D9/695
D322,930 S * 1/1992 Khayat D9/712
5,315,785 A * 5/1994 Avot et al. 47/72
D355,117 S * 2/1995 van der Zwaard D9/431
D384,002 S * 9/1997 David et al. D11/164
D419,436 S * 1/2000 Celtorius et al. D9/663
6,098,336 A * 8/2000 Ferguson 47/41.01
D455,653 S * 4/2002 Campbell D9/431
D524,692 S * 7/2006 Brandstatter D11/155

FIG. 8 is a left front perspective view of the flower package of FIG. 1 with the package cover removed;

FIG. 9 is a plan view of the flower package of FIG. 1 with package cover removed, the flower package of FIG. 9 being folded flat in a two layer assembled position; and,

FIG. 10 is a plan view of the flower package of FIG. 1 with package cover removed, the flower package of FIG. 10 being folded flat in a one layer unassembled position.

1 Claim, 9 Drawing Sheets



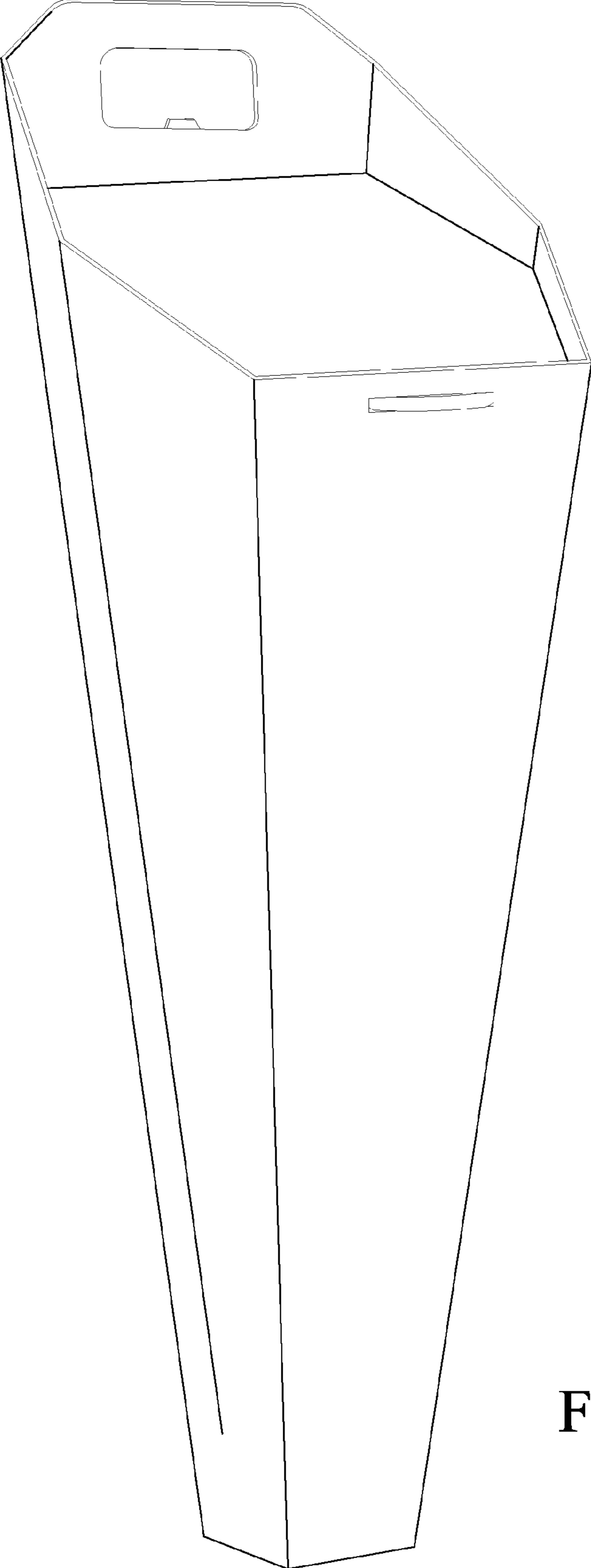


Fig. 1

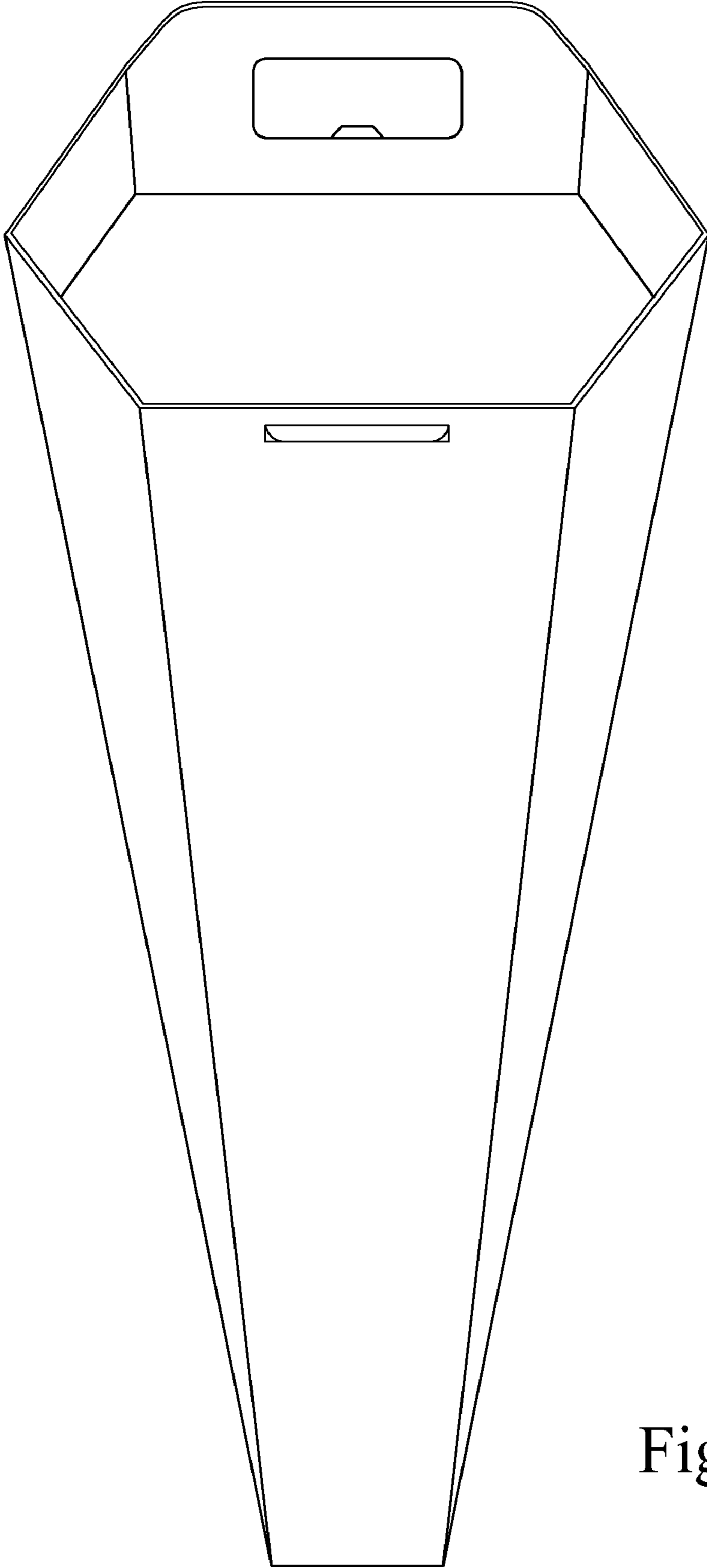


Fig. 2

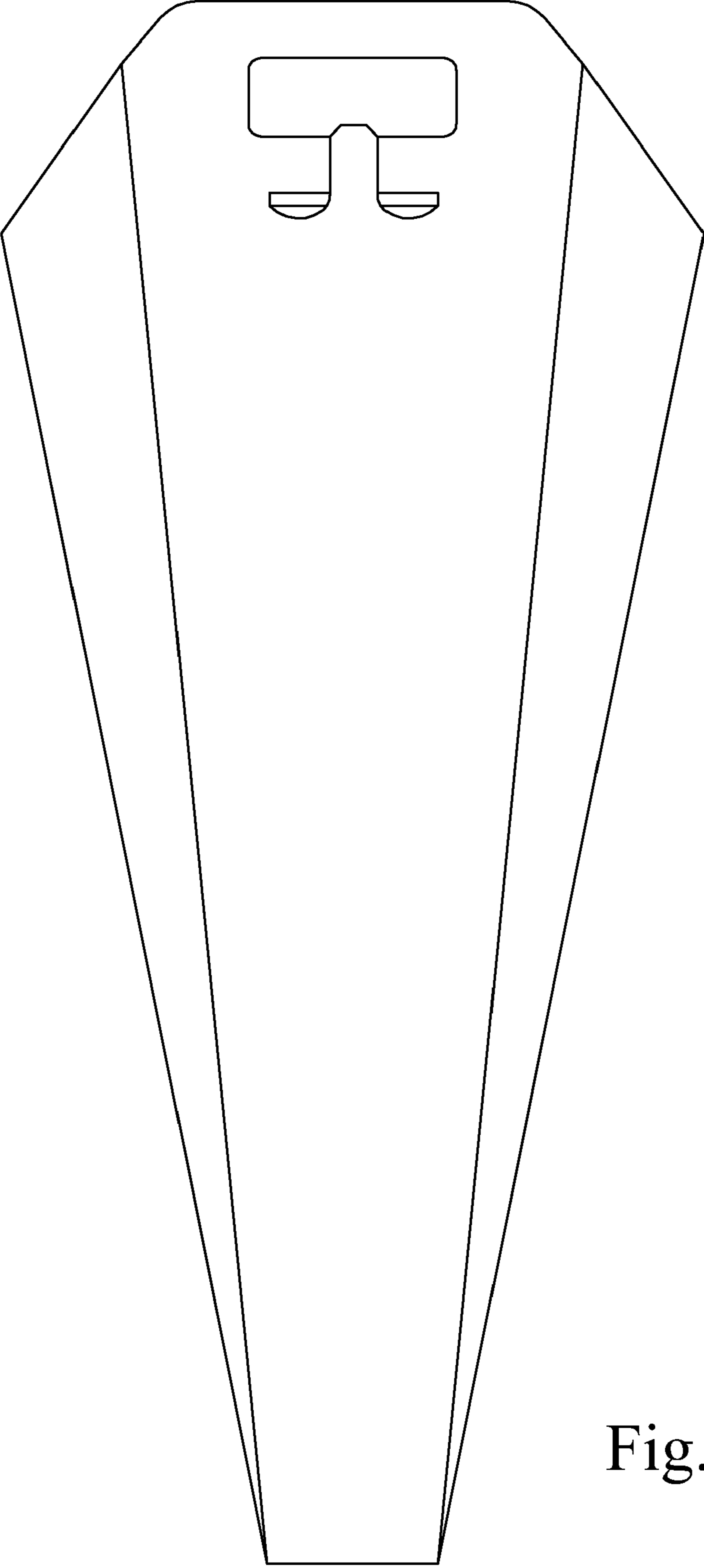


Fig. 3

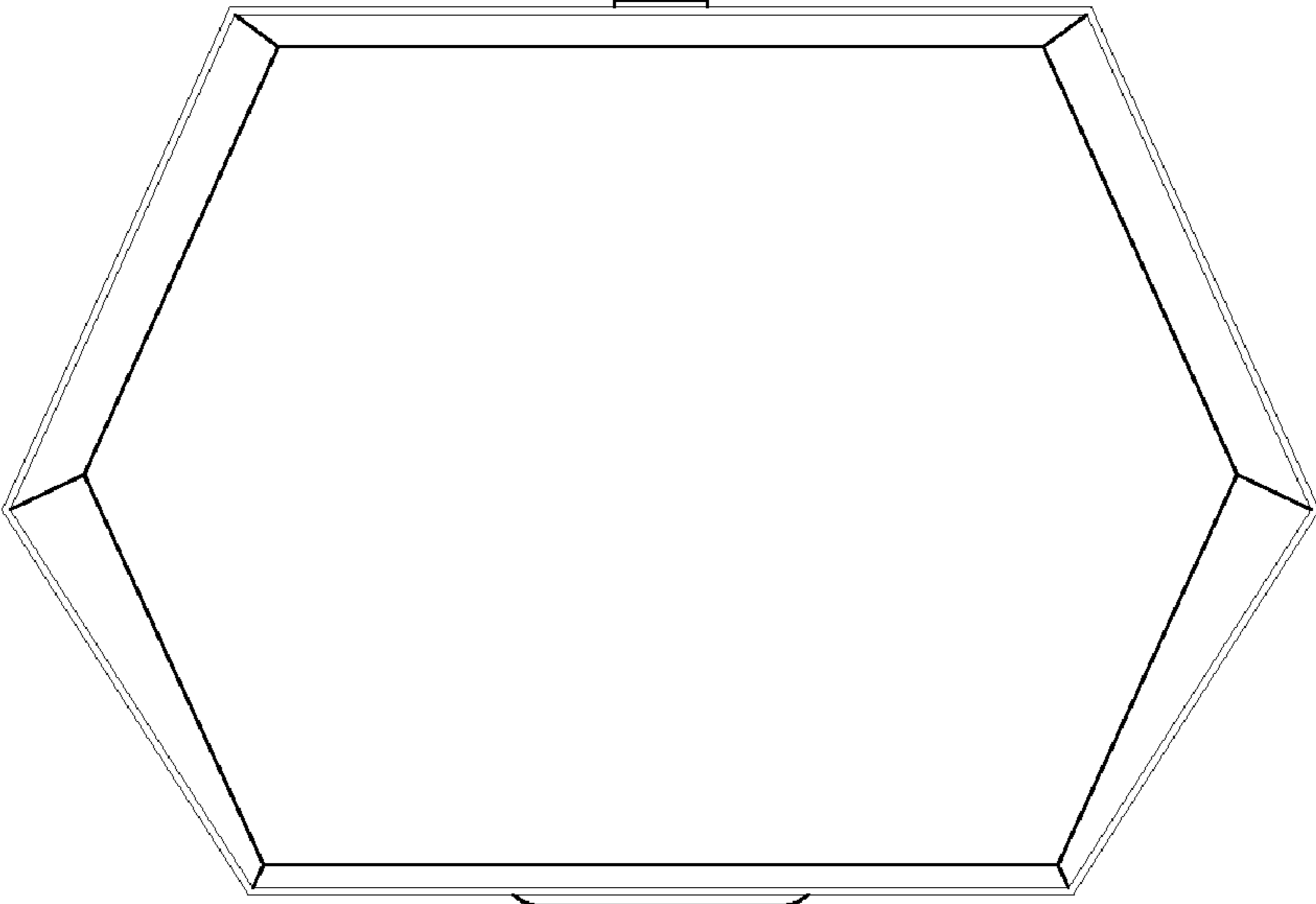


Fig. 4

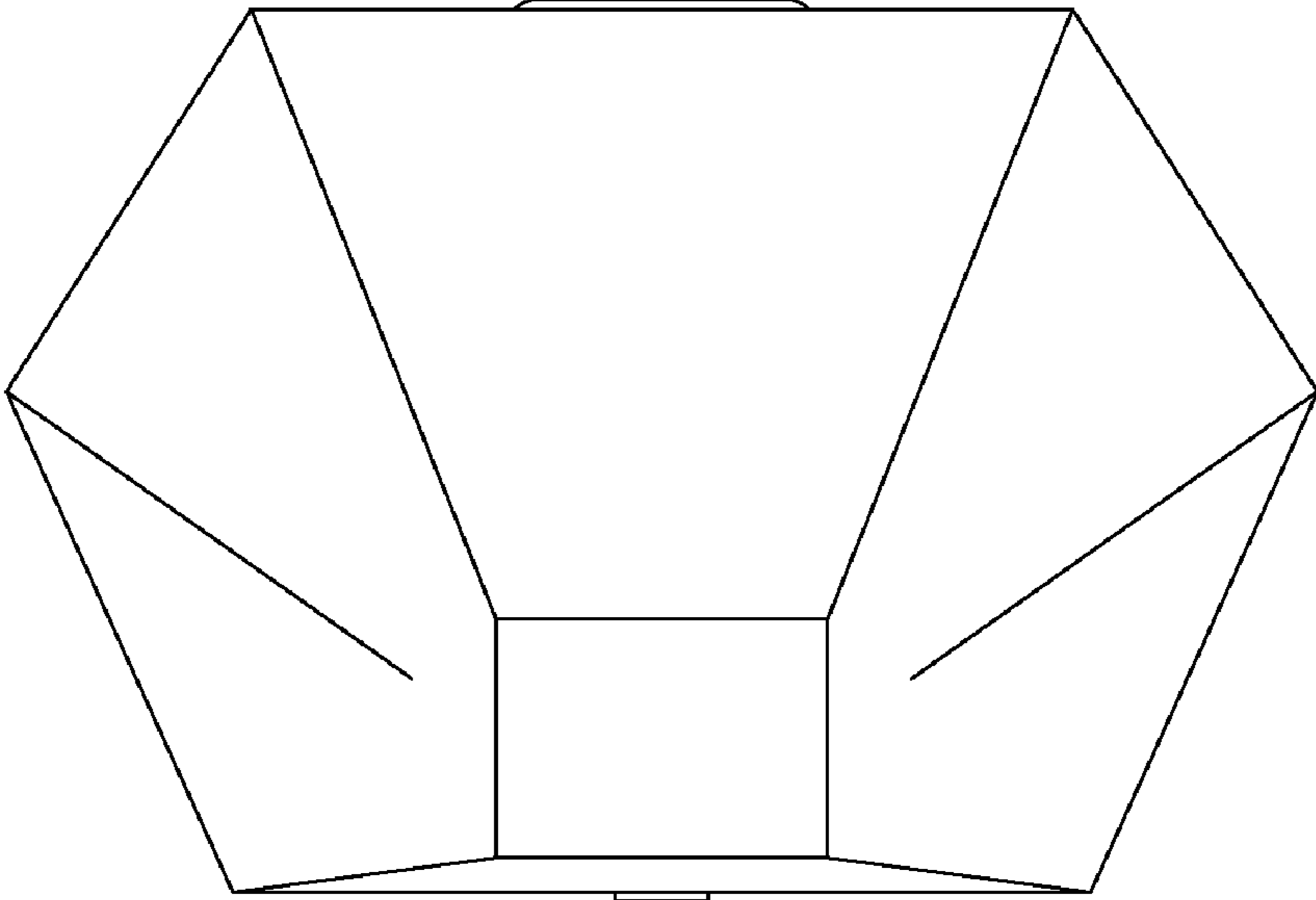


Fig. 5

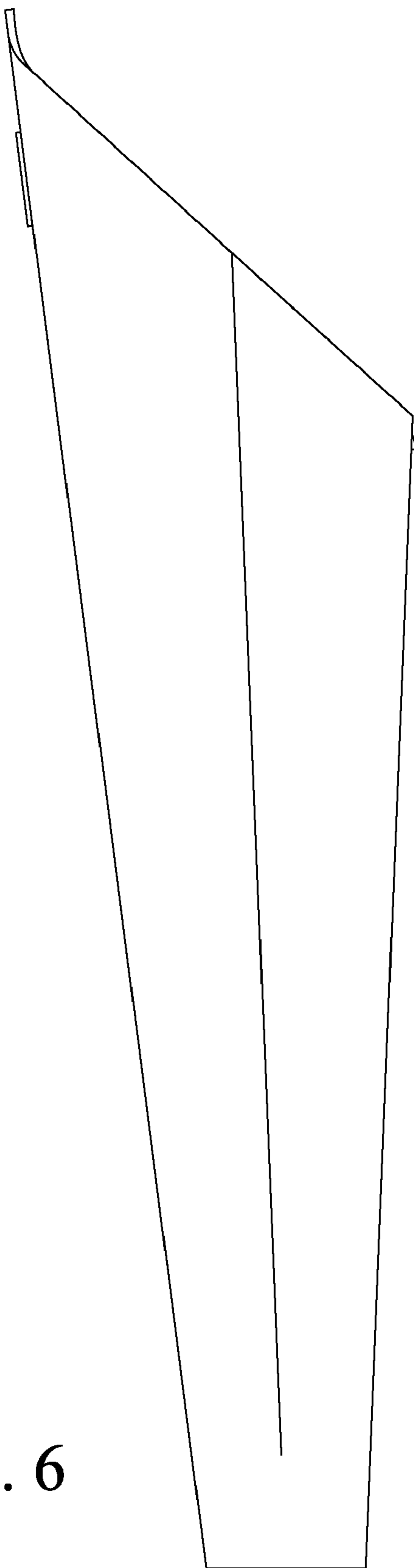


Fig. 6

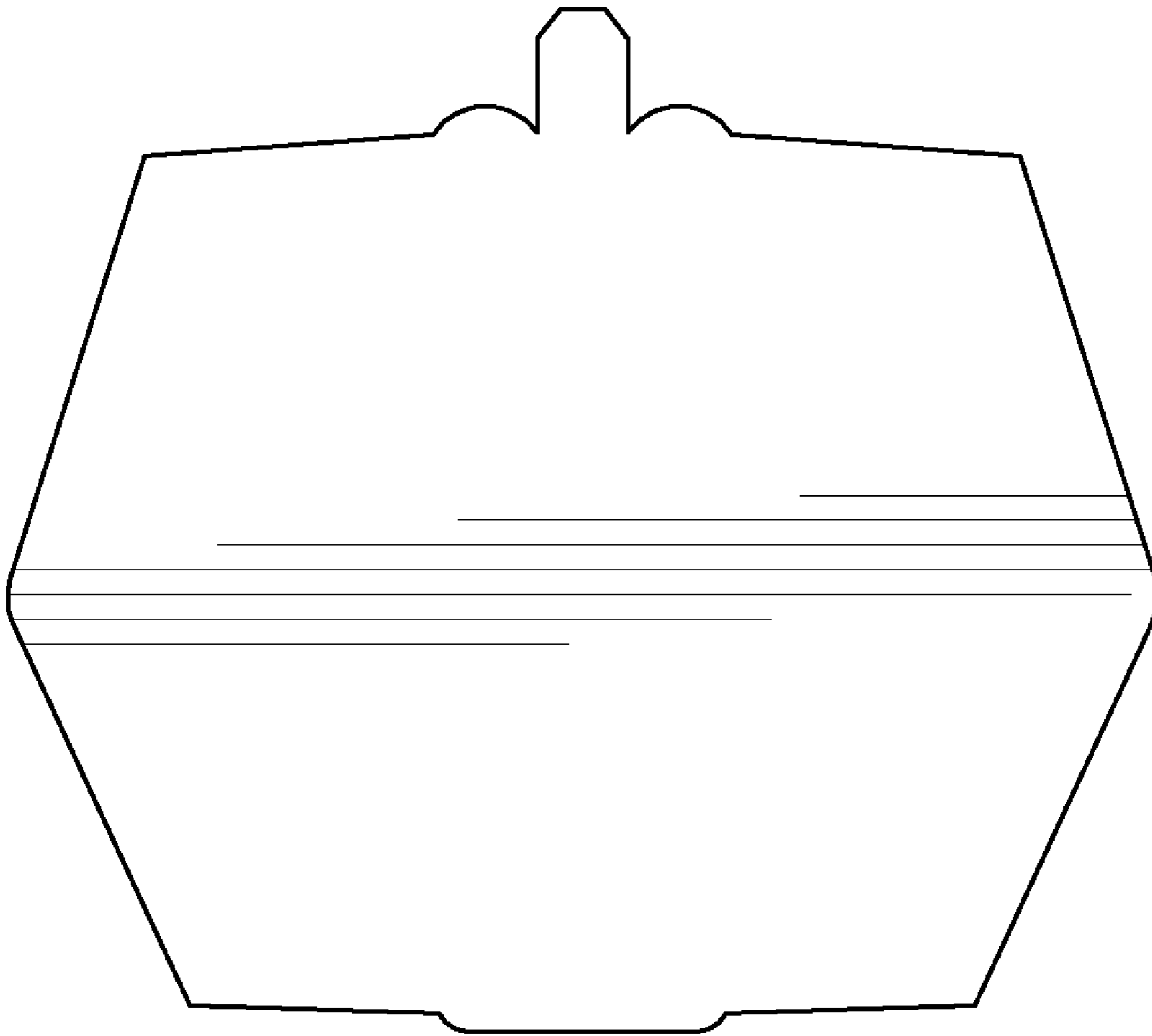


Fig. 7

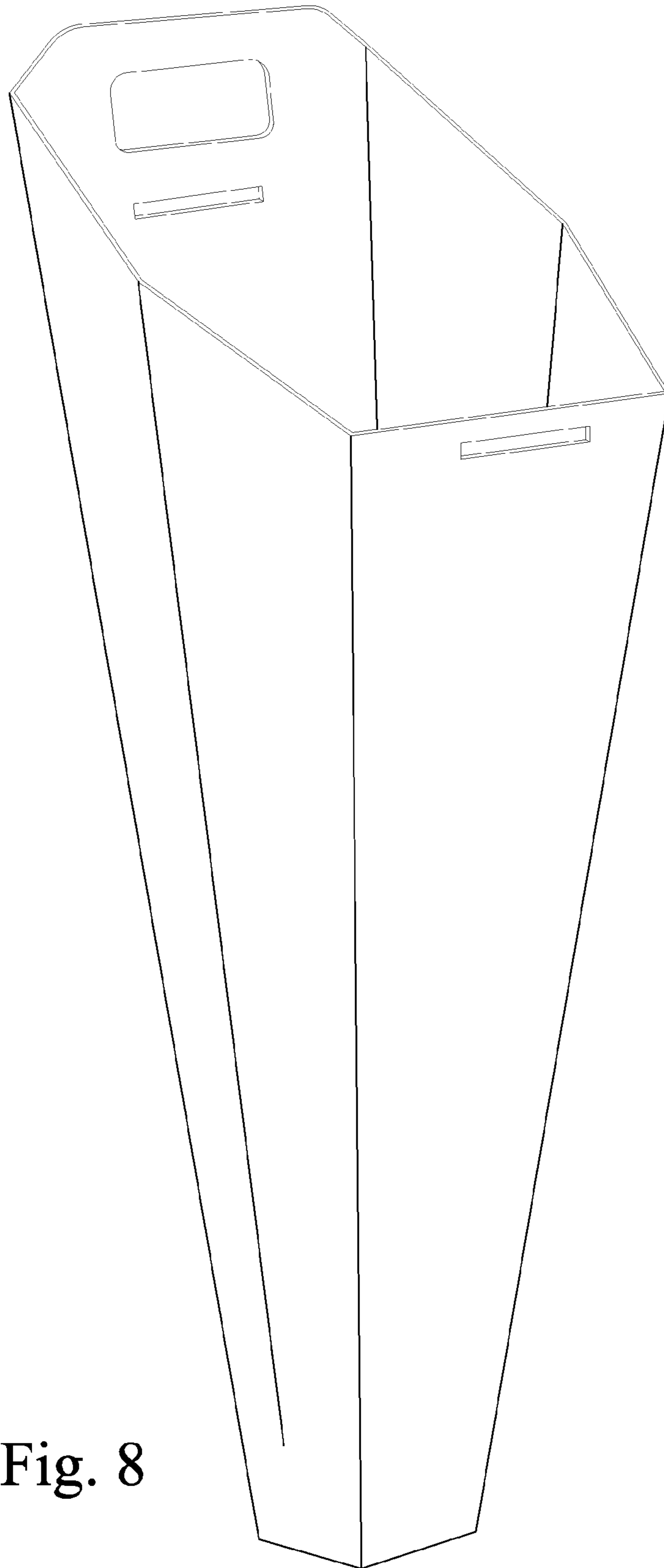


Fig. 8

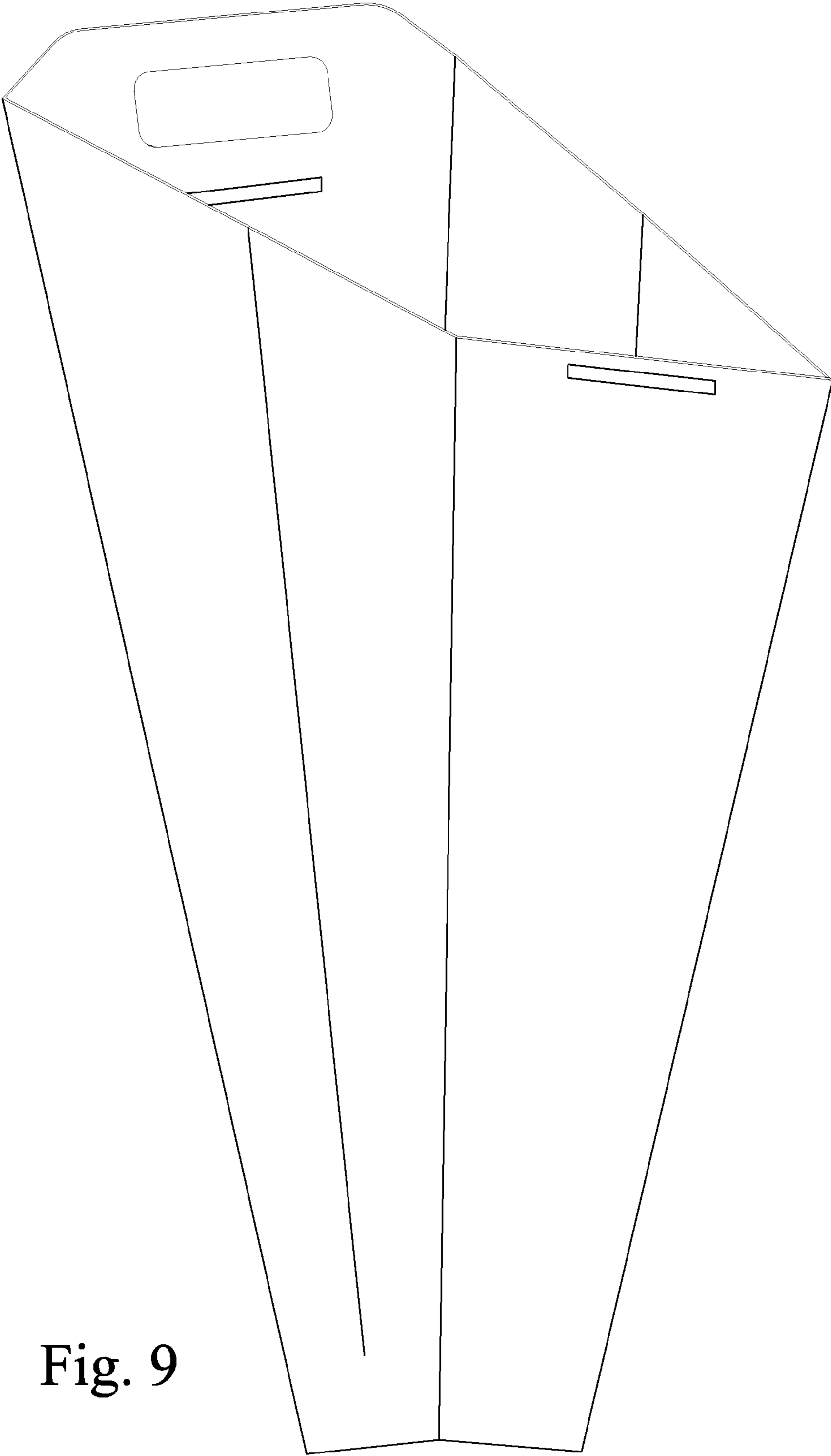


Fig. 9

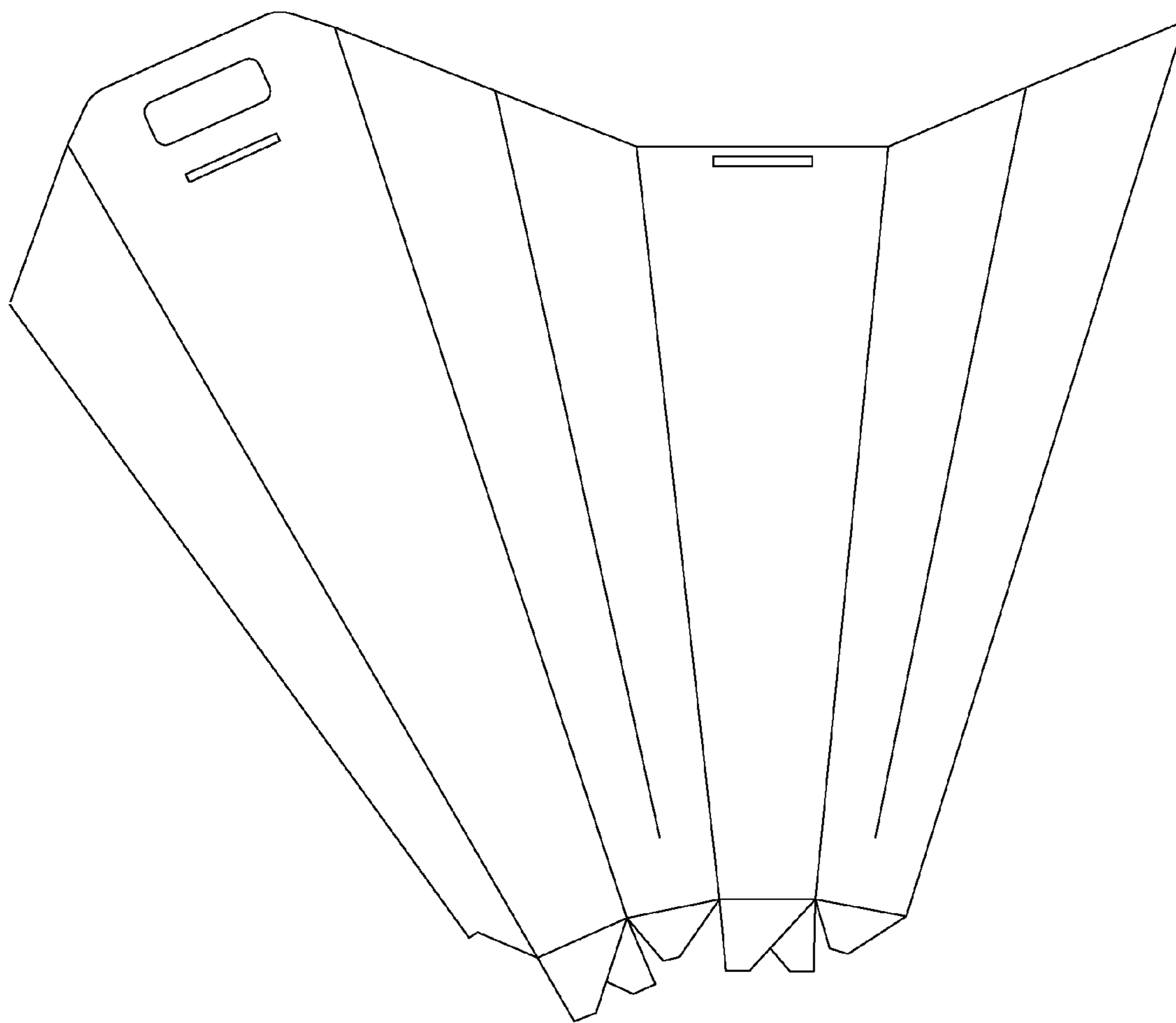


Fig. 10