



US00D586656S

(12) **United States Design Patent**  
**Mount**

(10) **Patent No.:** **US D586,656 S**

(45) **Date of Patent:** **\*\* Feb. 17, 2009**

(54) **BOTTLE**

(75) Inventor: **John Fredrick Mount, St. Kilda (AU)**

(73) Assignee: **Sagacity Ventures Pty Ltd (AU)**

(\*\*) Term: **14 Years**

(21) Appl. No.: **29/288,148**

(22) Filed: **May 30, 2007**

(51) **LOC (9) Cl.** ..... **09-01**

(52) **U.S. Cl.** ..... **D9/523; D9/522; D9/417**

(58) **Field of Classification Search** ..... **D9/417-418,**  
**D9/432, 522-523, 529, 534-535, 543-544,**  
**D9/546, 560, 566, 572-574; 215/6, 10, 382-384,**  
**215/395, 396; 229/125.17, 125.28, 162.4,**  
**229/162.7**

See application file for complete search history.

(56) **References Cited**

**U.S. PATENT DOCUMENTS**

D264,127 S \* 4/1982 Peterson ..... D9/523  
D309,080 S \* 7/1990 Buchholz ..... D9/543

D314,703 S \* 2/1991 Segati ..... D9/523  
D328,431 S \* 8/1992 Skidmore et al. .... D9/523  
D486,396 S \* 2/2004 Stinedurf ..... D9/523  
D510,870 S \* 10/2005 Kelly et al. .... D9/523

\* cited by examiner

*Primary Examiner*—Nanda Bondade

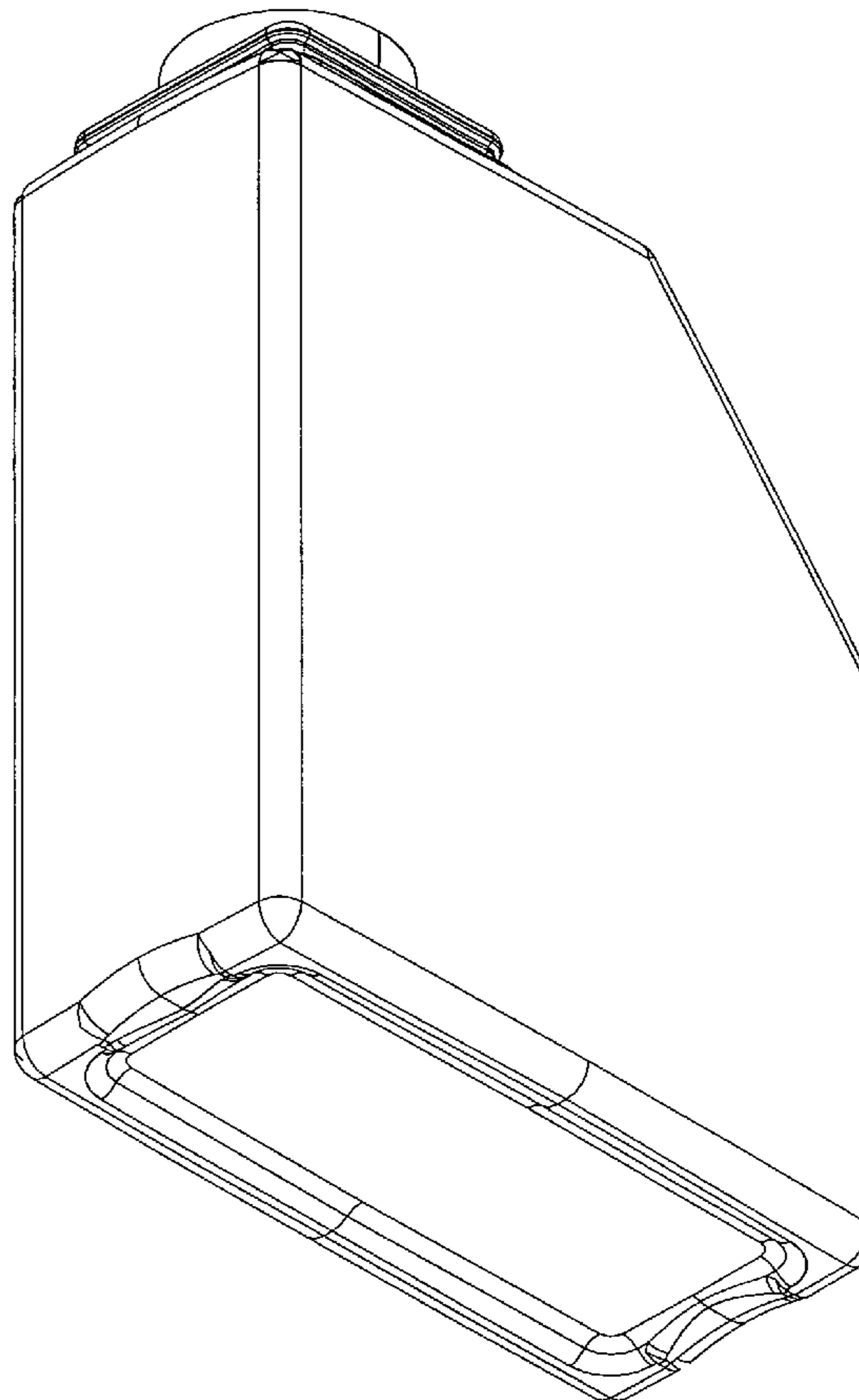
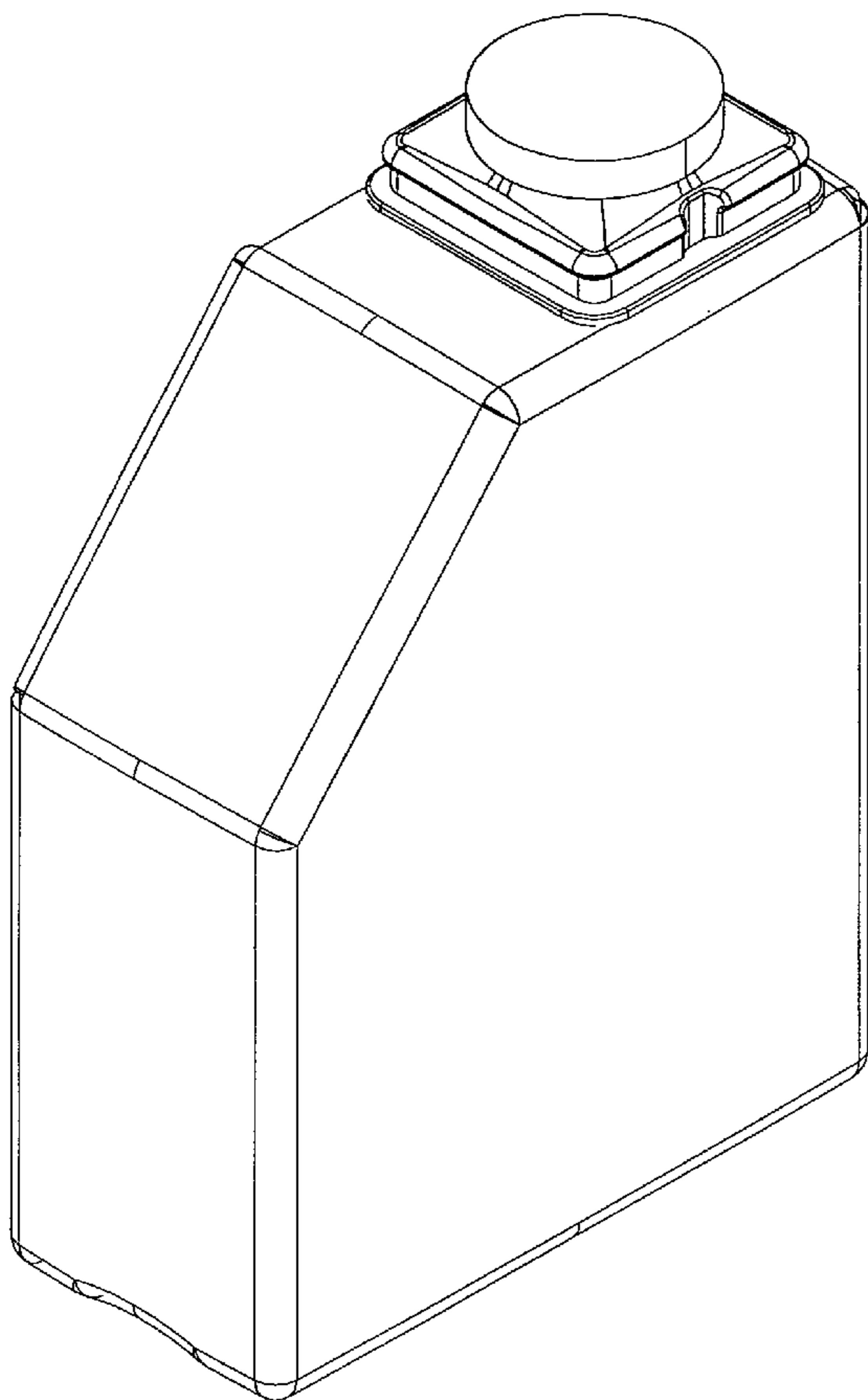
(57) **CLAIM**

The ornamental design for the bottle, as shown and described.

**DESCRIPTION**

FIG. 1 is a top plan view of a bottle showing my new design;  
FIG. 2 is a front elevational view thereof;  
FIG. 3 is a side elevational view, the opposite being a mirror  
image thereof;  
FIG. 4 is a back side elevational view thereof;  
FIG. 5 is a front perspective view thereof;  
FIG. 6 is a bottom plan view thereof; and,  
FIG. 7 is a back perspective view thereof.

**1 Claim, 7 Drawing Sheets**



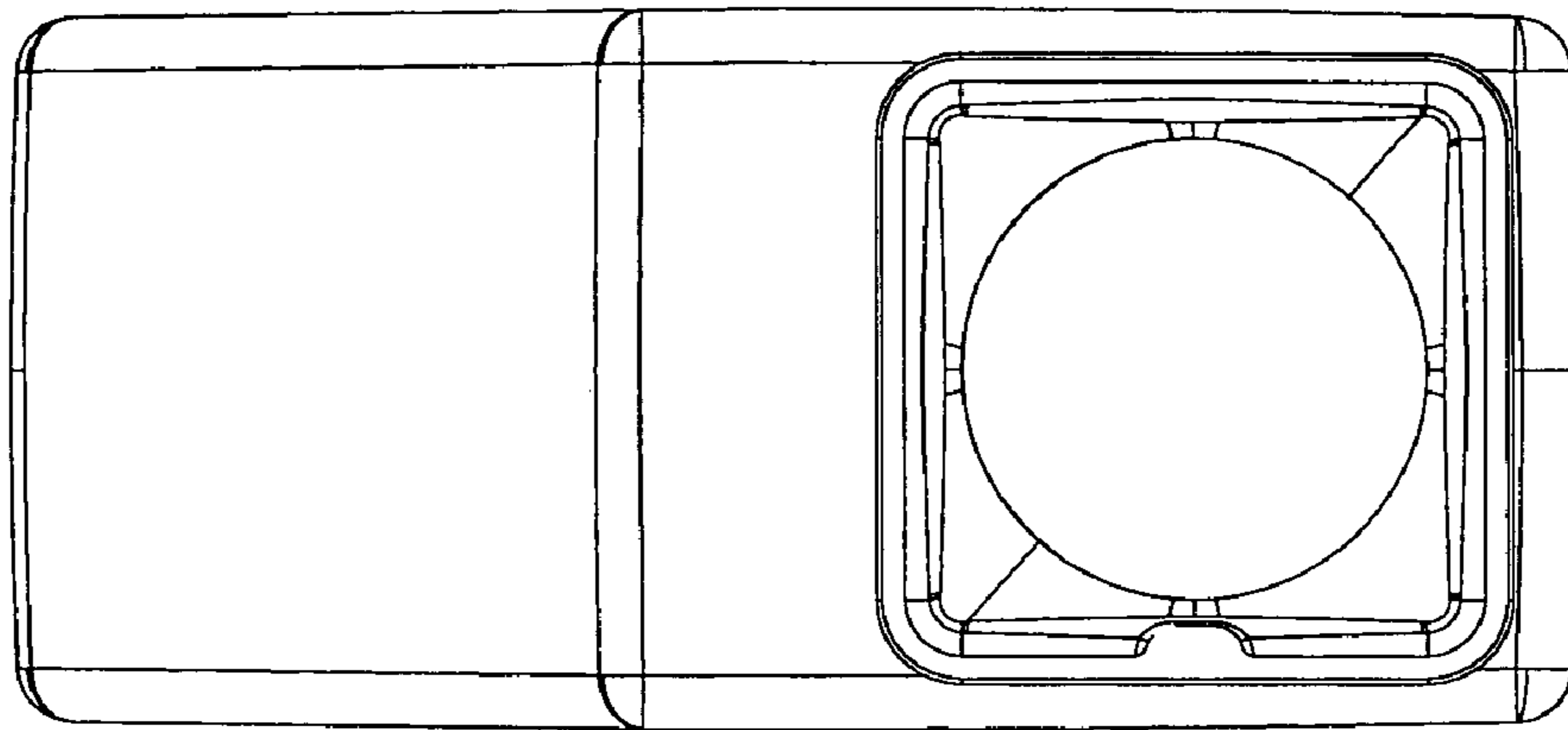


Fig.1

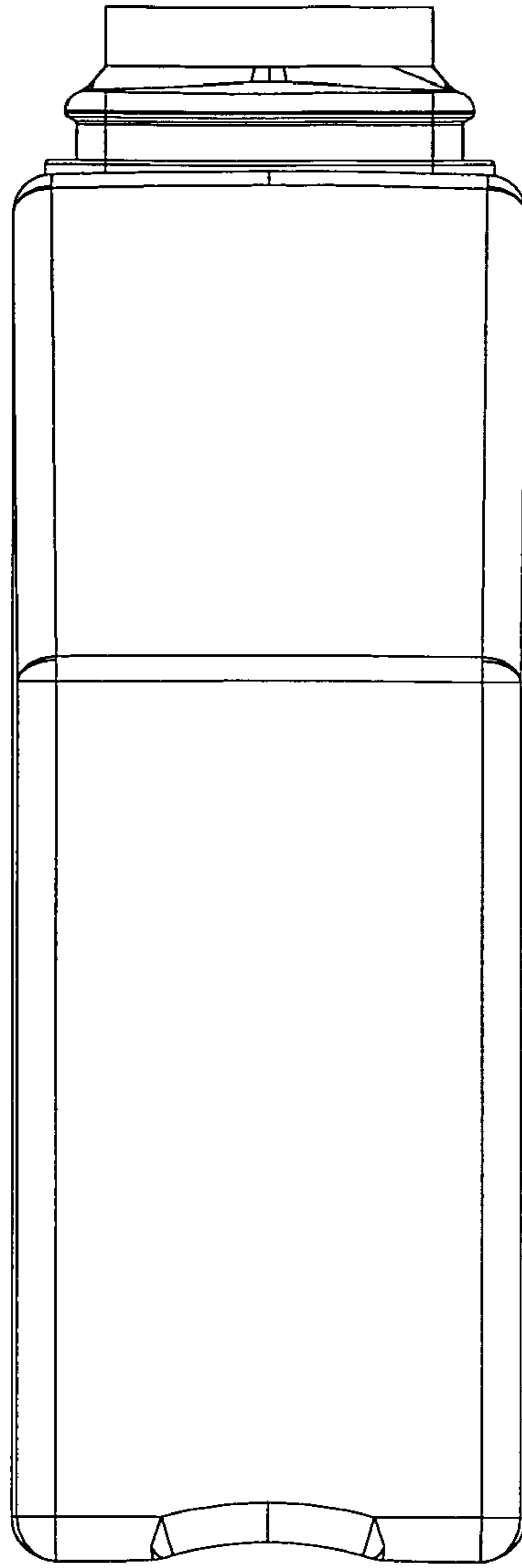


Fig.2

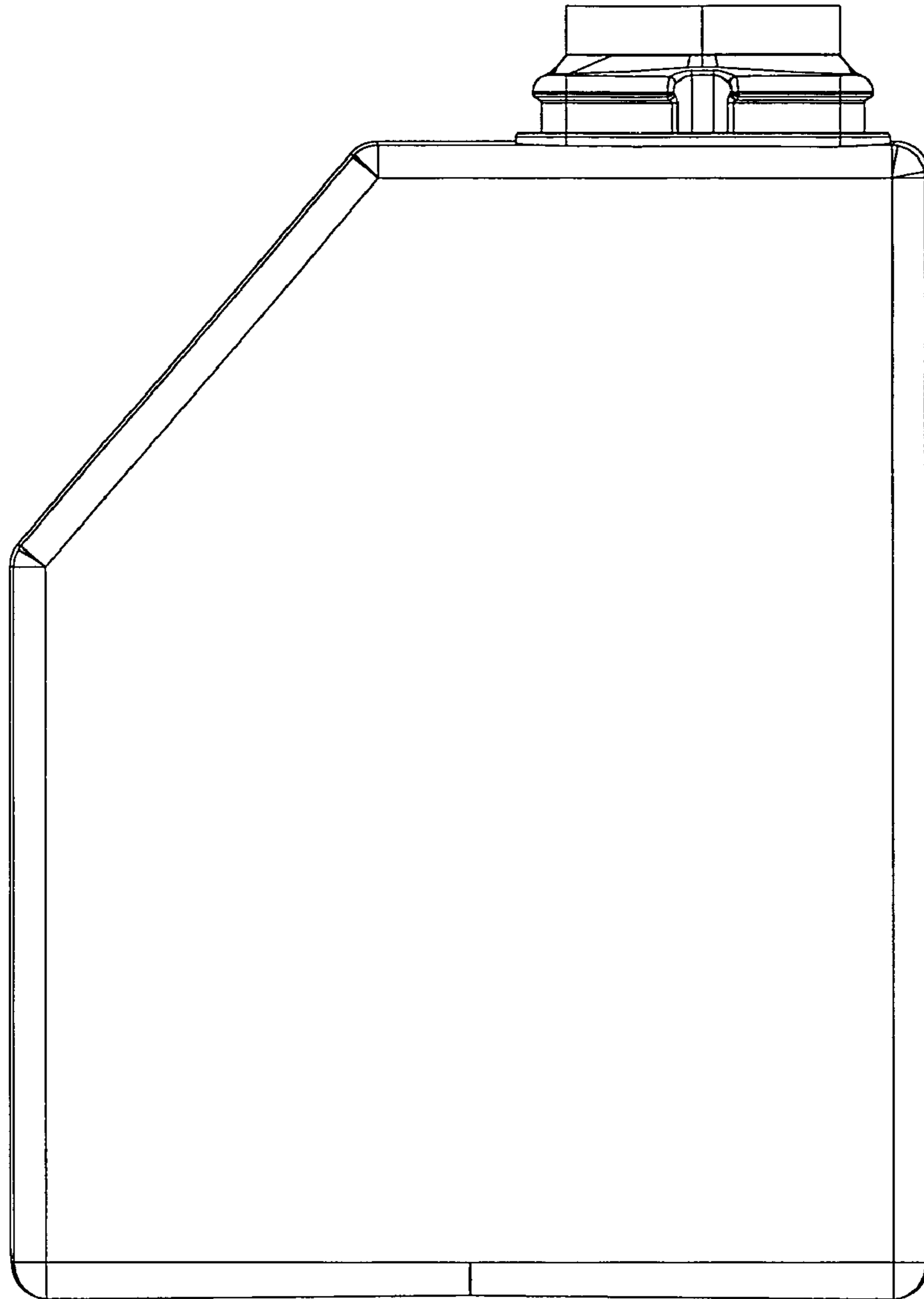


Fig.3

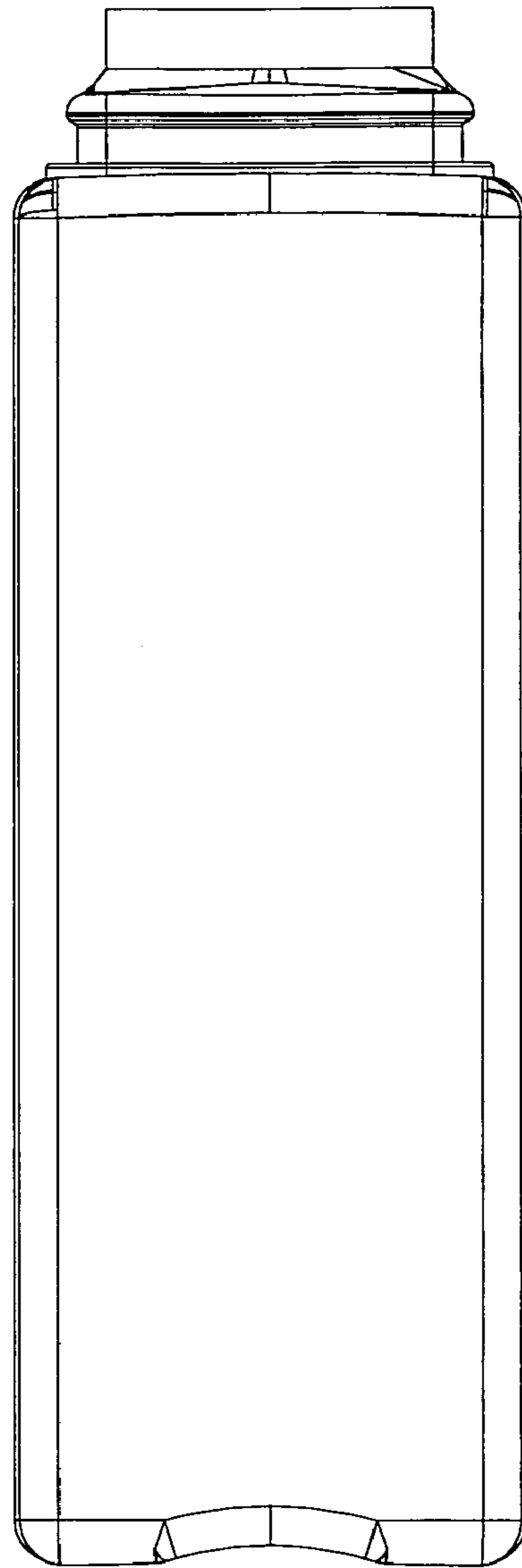


Fig.4

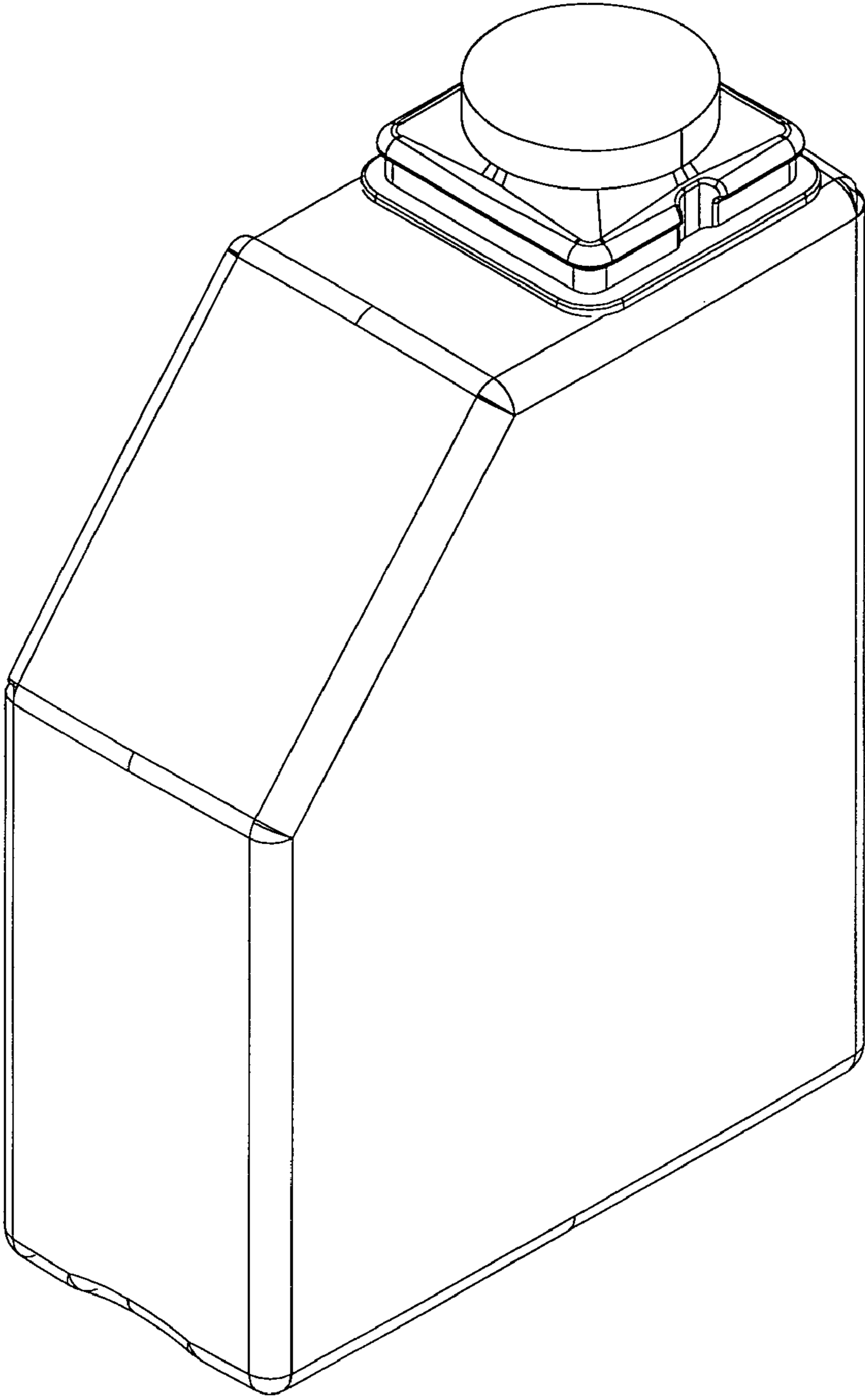


Fig.5

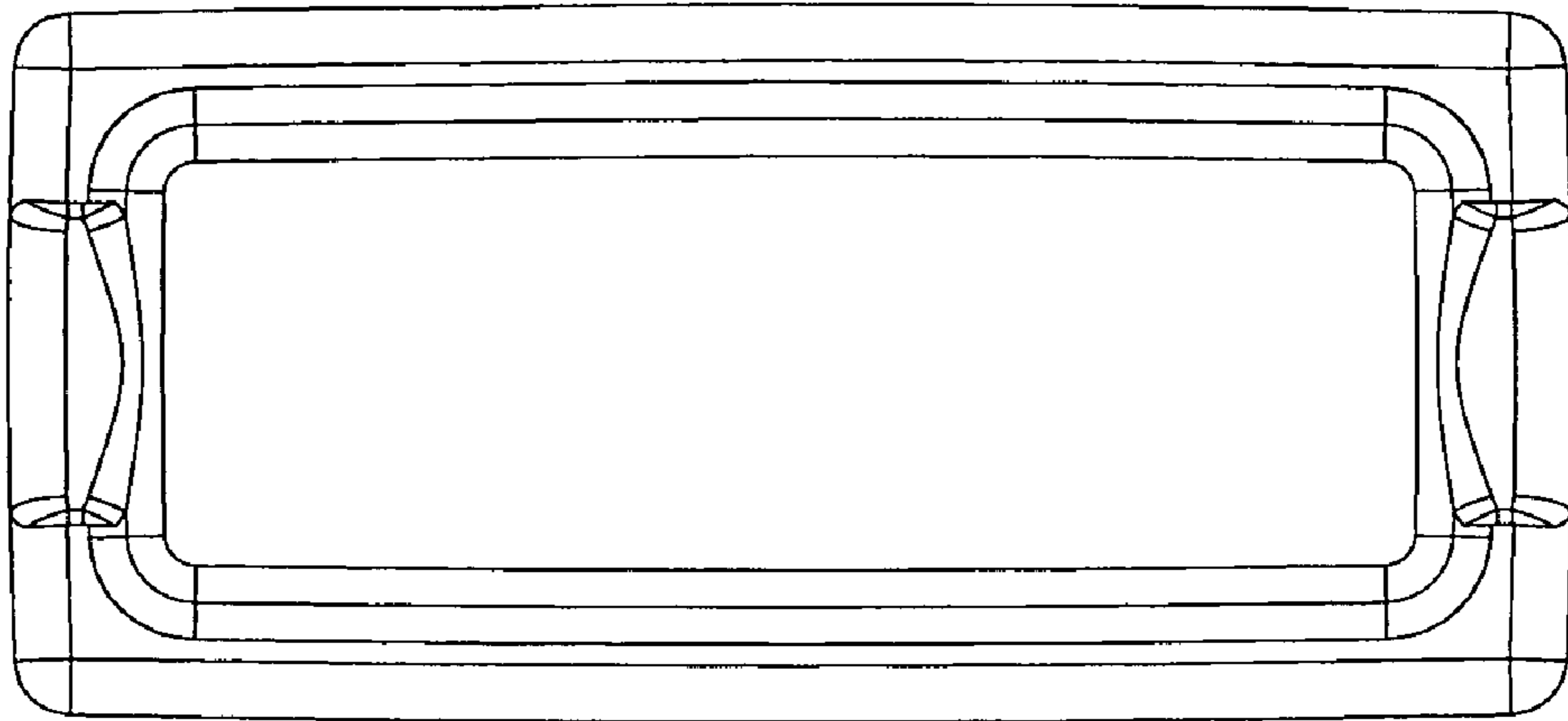


Fig.6

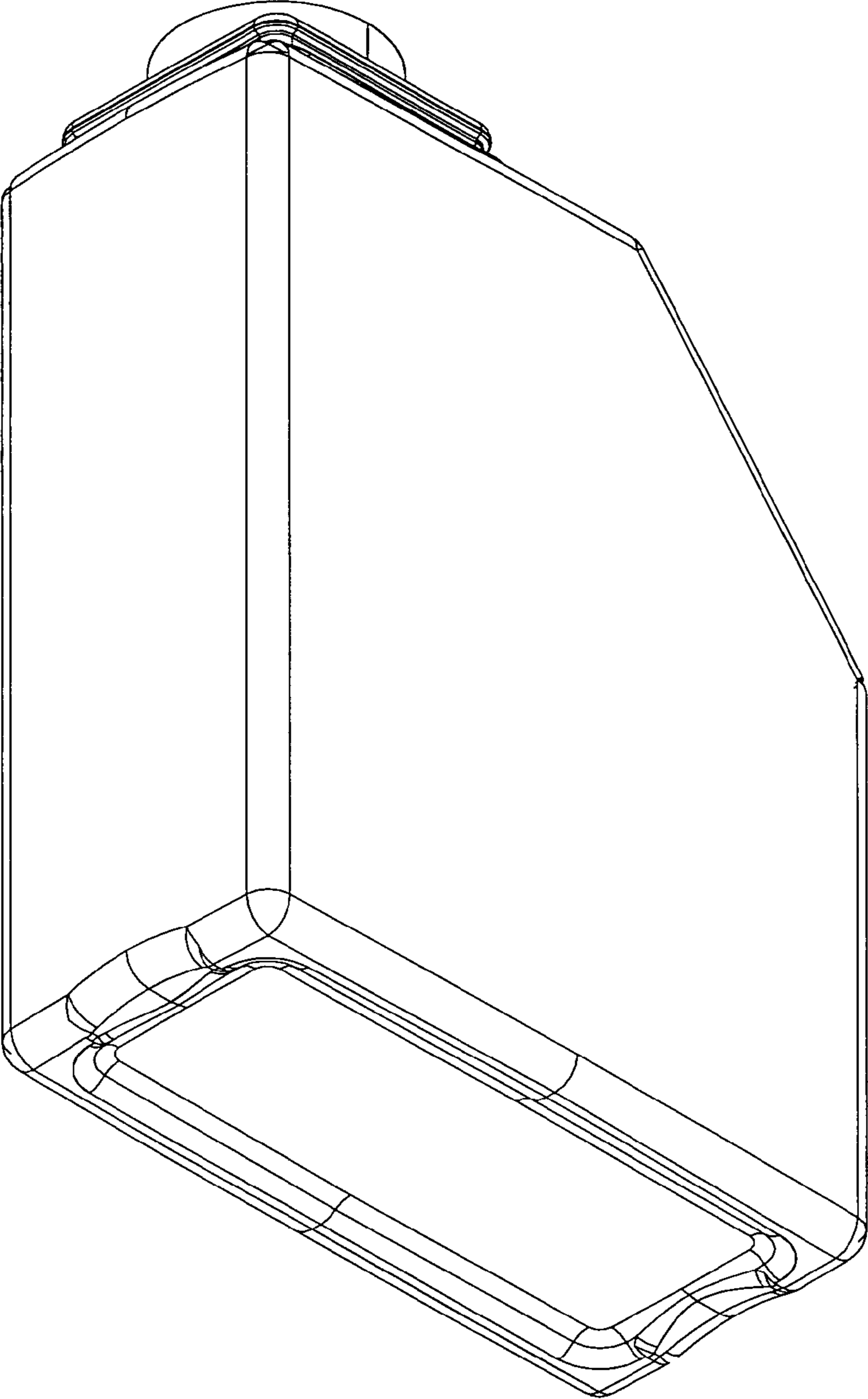


Fig.7