



US00D586654S

(12) **United States Design Patent**
Illenberger et al.

(10) **Patent No.:** **US D586,654 S**

(45) **Date of Patent:** **** Feb. 17, 2009**

(54) **DISPENSING PORTION OF A DISPENSER**

(75) Inventors: **Michael C. Illenberger**, Downers Grove, IL (US); **Richard Hofmann**, Chicago, IL (US); **Greg McMurray**, Des Plaines, IL (US)

(73) Assignee: **Magenta Corporation**, Chicago, IL (US)

(**) Term: **14 Years**

(21) Appl. No.: **29/200,491**

(22) Filed: **Feb. 27, 2004**

(51) **LOC (9) Cl.** **09-07**

(52) **U.S. Cl.** **D9/447**

(58) **Field of Classification Search** D9/447,
D9/448, 502, 570, 443, 435, 445, 573, 668,
D9/686, 687, 688, 692; D7/392.1; D28/91.1;
215/224; 206/536; 220/339, 345, 711, 714,
220/715, 321, 401

See application file for complete search history.

(56) **References Cited**

U.S. PATENT DOCUMENTS

D182,045 S *	2/1958	Soffer	D9/448
D198,817 S	8/1964	Stehl		
D218,553 S *	9/1970	Nigro	D9/688
D219,333 S *	12/1970	Doblin	D9/688
D265,459 S	7/1982	Picot		
4,524,876 A *	6/1985	Kusz	215/224
D301,773 S *	6/1989	Murakami et al.	D28/91.1
D306,554 S *	3/1990	Lawson	D9/687

D317,714 S	6/1991	Greubel		
D329,809 S *	9/1992	Bloomfield	D9/443
D335,817 S	5/1993	Greubel		
D400,784 S	11/1998	Cummings et al.		
D436,524 S *	1/2001	Owens	D9/692
D467,165 S *	12/2002	DeSimone	D9/688
D490,299 S	5/2004	Byron		
D499,012 S *	11/2004	Illenberger et al.	D9/686
D504,612 S *	5/2005	Illenberger et al.	D9/447
D512,634 S *	12/2005	Illenberger et al.	D9/447

OTHER PUBLICATIONS

Notice of References Cited from continuation case, U.S. Appl. No. 29/203,147, filed Apr. 9, 2004.

* cited by examiner

Primary Examiner—Paula A. Greene

(74) *Attorney, Agent, or Firm*—Welsh & Katz; James B. Conte

(57) **CLAIM**

The ornamental design for the dispensing portion of a dispenser, as shown and described.

DESCRIPTION

FIG. 1 shows a top, front perspective view of a dispensing portion of a dispenser showing my new design;

FIG. 2 shows a top plan view thereof;

FIG. 3 shows a front plan view thereof; the rear plan view would be a mirror image of the front plan view; and,

FIG. 4 is a left sided view thereof.

1 Claim, 1 Drawing Sheet

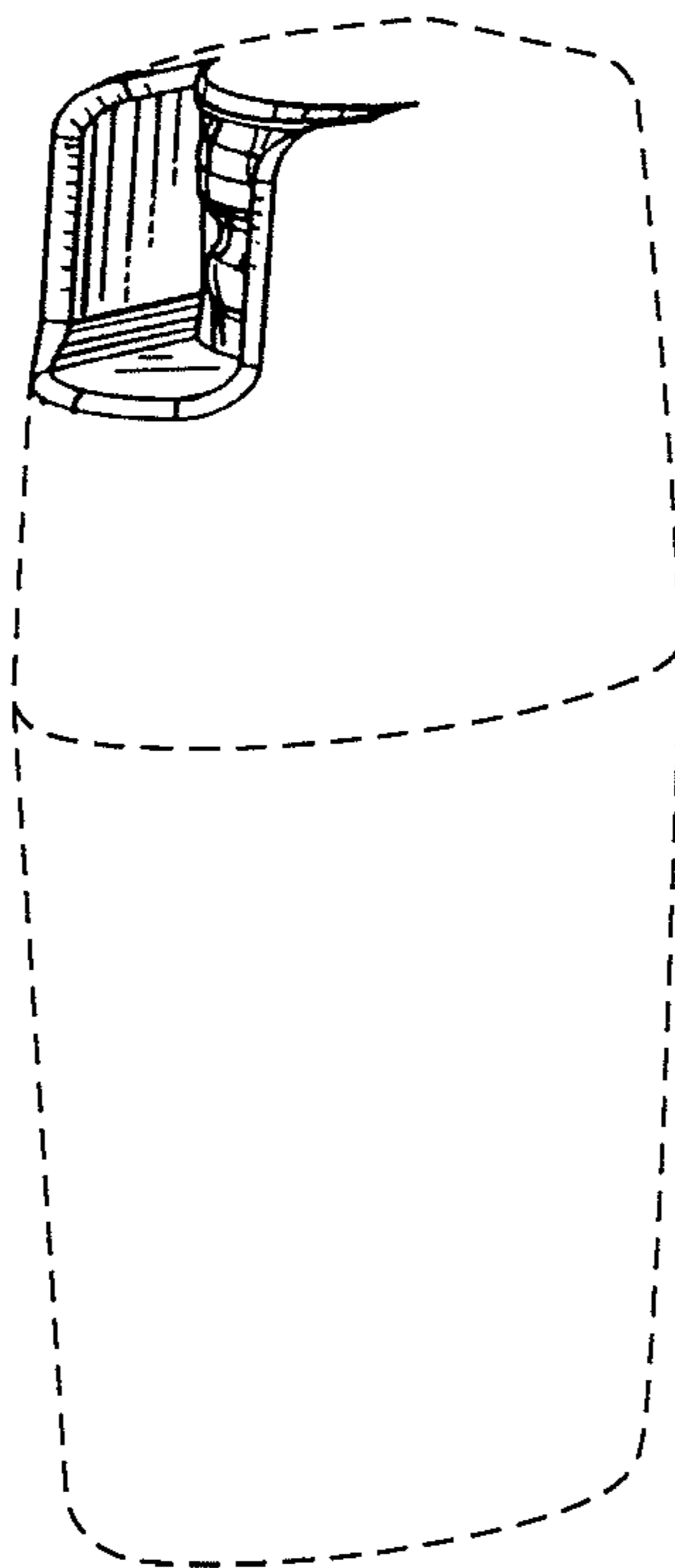


Fig. 1

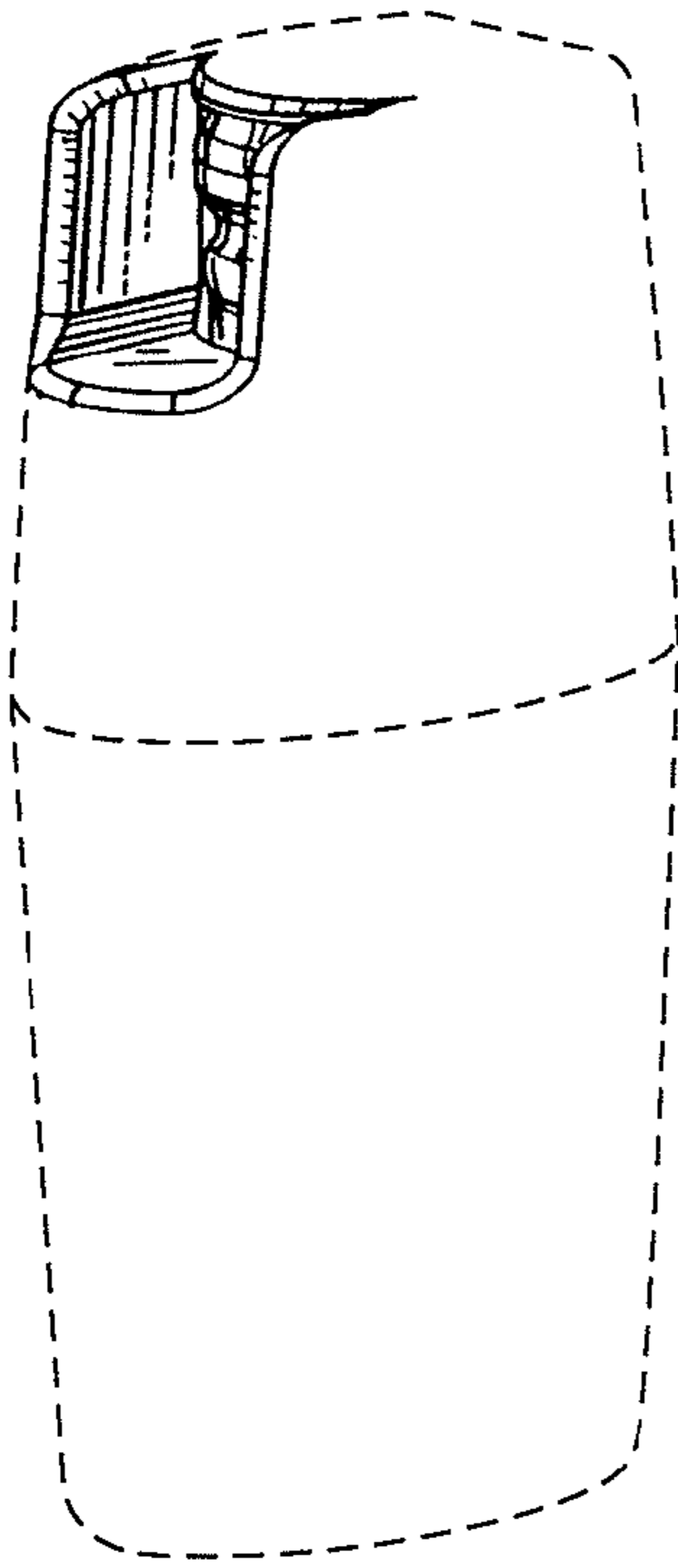


Fig. 2

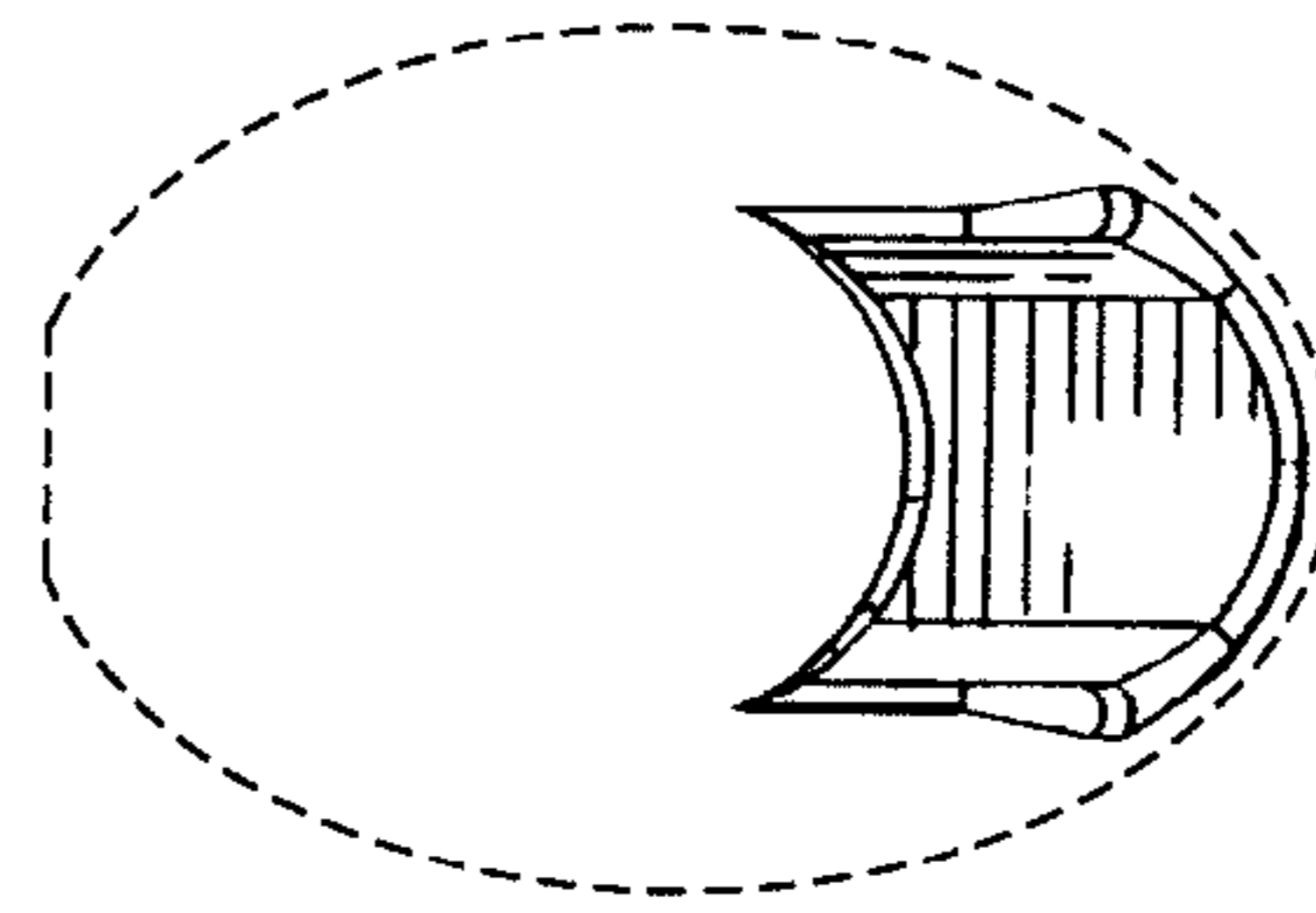


Fig. 3

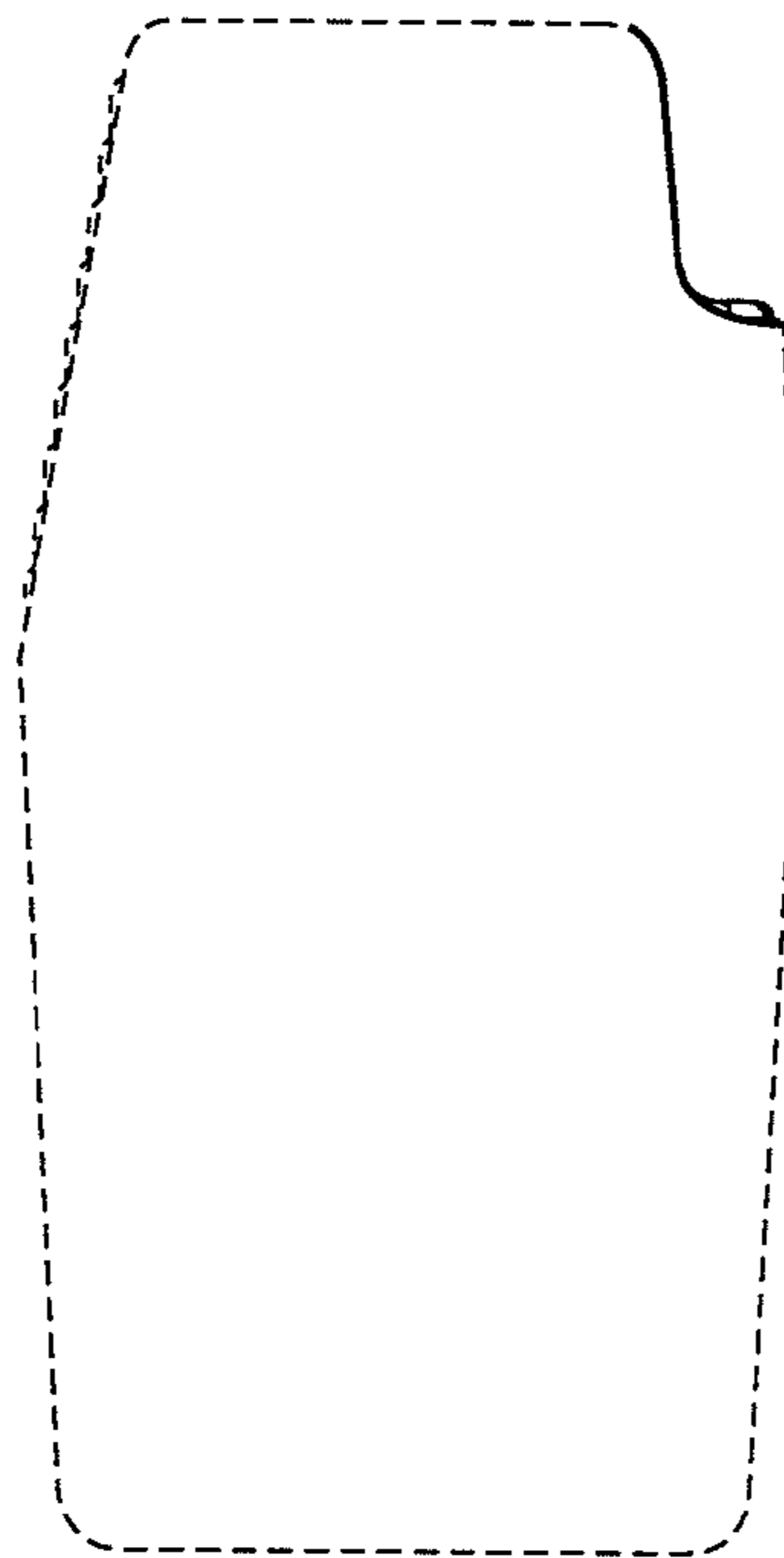


Fig. 4

