



US00D586649S

(12) **United States Design Patent**
Fleischman

(10) **Patent No.:** **US D586,649 S**

(45) **Date of Patent:** **** Feb. 17, 2009**

(54) **UTILITY CLIP**

(75) **Inventor:** **Curtis Fleischman**, Clackamas, OR
(US)

(73) **Assignee:** **Stable Solutions LLC**, Clackamas, OR
(US)

(**) **Term:** **14 Years**

(21) **Appl. No.:** **29/275,906**

(22) **Filed:** **Jan. 9, 2007**

(51) **LOC (9) Cl.** **08-08**

(52) **U.S. Cl.** **D8/396**

(58) **Field of Classification Search** D8/356,
D8/394-396, 371; D19/65; 24/570, 67.9;
D32/60-64; D24/128; 248/74.2, 215, 227.1,
248/49, 300, 301, 316.7, 51, 489

See application file for complete search history.

(56) **References Cited**

U.S. PATENT DOCUMENTS

D295,723 S * 5/1988 Shioda D8/396
5,018,260 A * 5/1991 Ziu 24/555

D344,449 S * 2/1994 Ward D8/395
D438,449 S * 3/2001 Taylor D8/356
D483,654 S * 12/2003 Taylor D8/356

* cited by examiner

Primary Examiner—T. Chase Nelson

Assistant Examiner—John Windmuller

(74) *Attorney, Agent, or Firm*—Schwabe, Williamson &
Wyatt, P.C.

(57) **CLAIM**

The ornamental design for a utility clip, as shown and described.

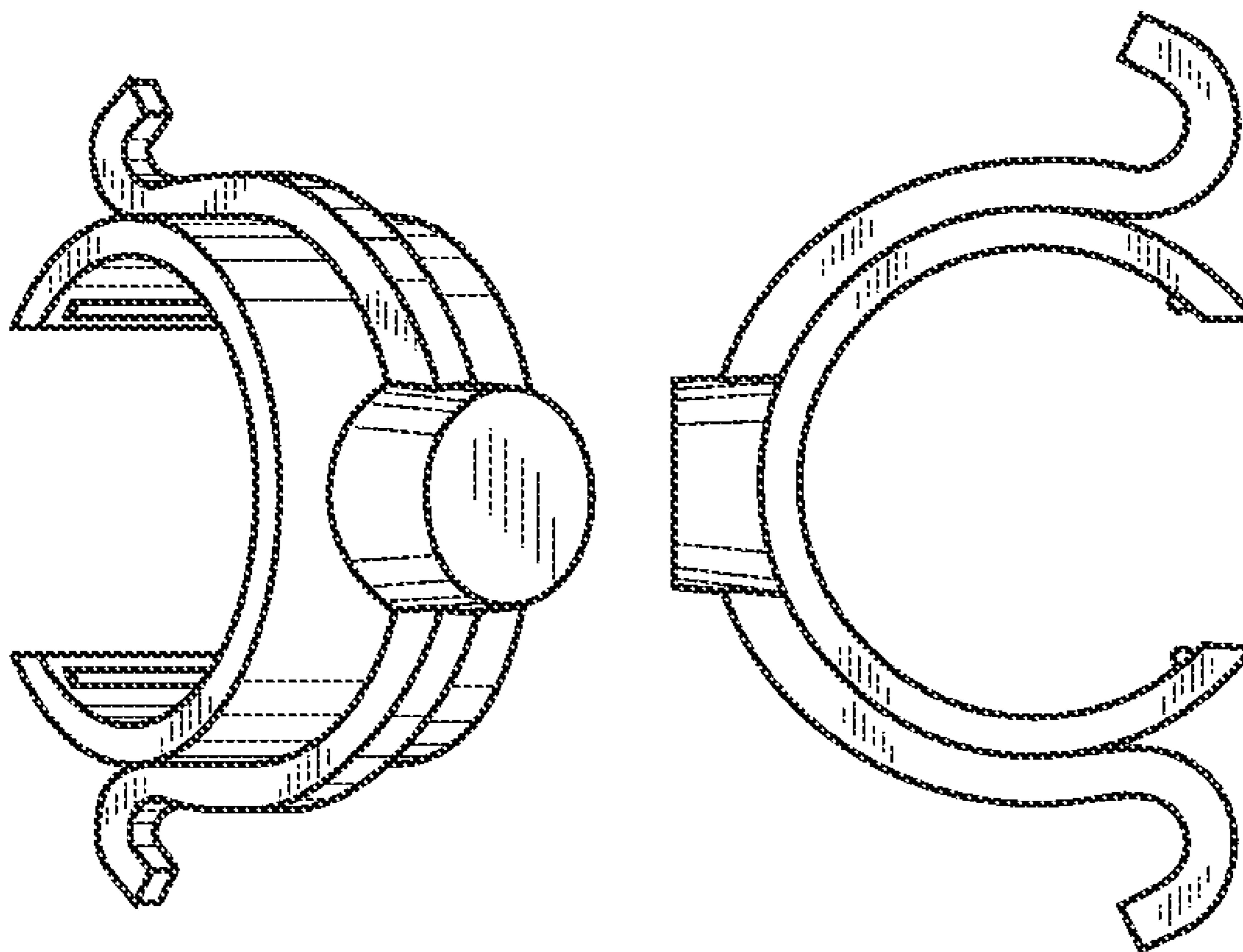
DESCRIPTION

FIG. 1 illustrates a perspective view of an ornamental design of a utility clip in accordance with embodiments of the present invention;

FIG. 2 illustrates a side view of the embodiment shown in FIG. 1; and,

FIG. 3 illustrates an end view of the embodiment shown in FIG. 1.

1 Claim, 1 Drawing Sheet



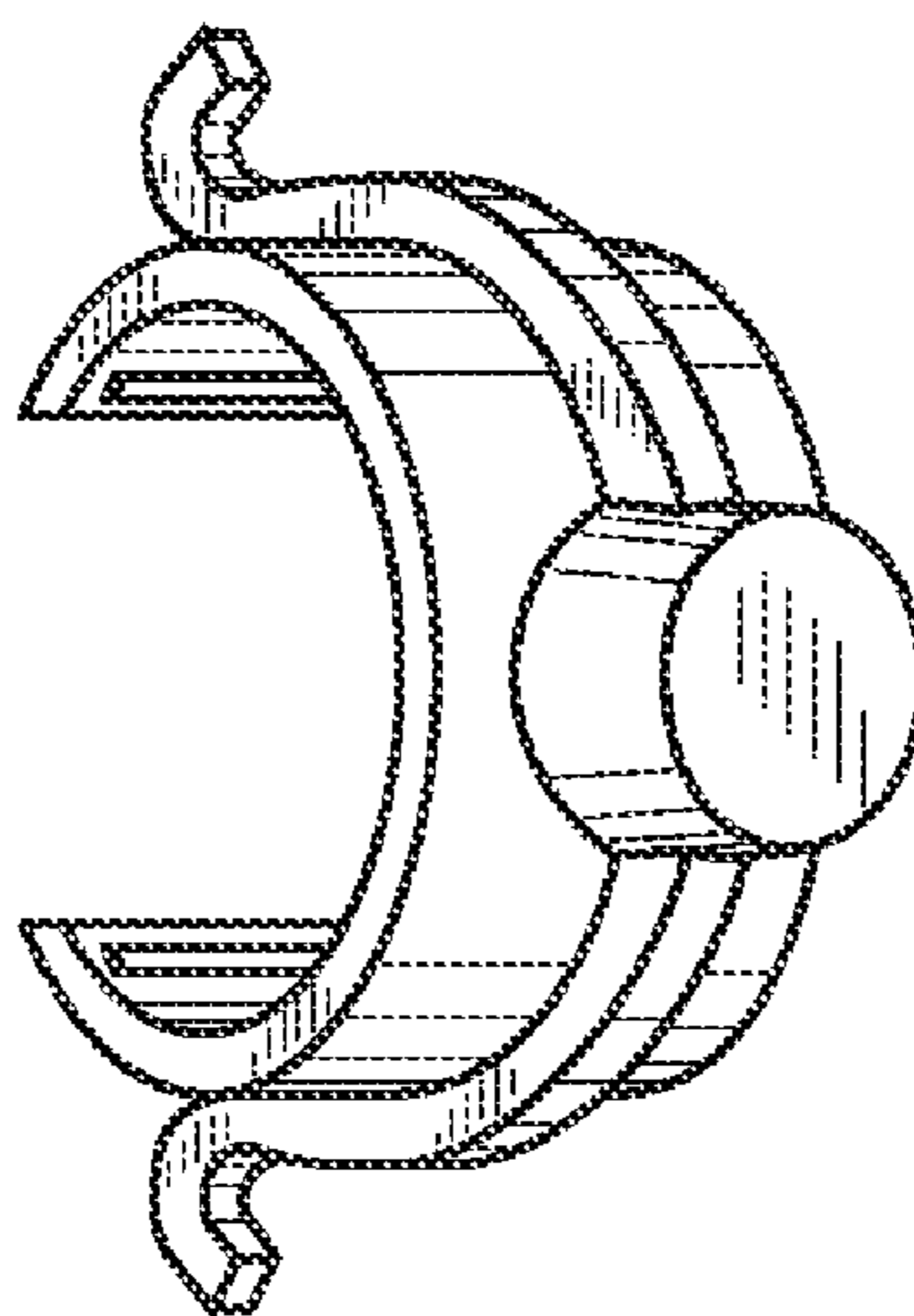


FIG. 1

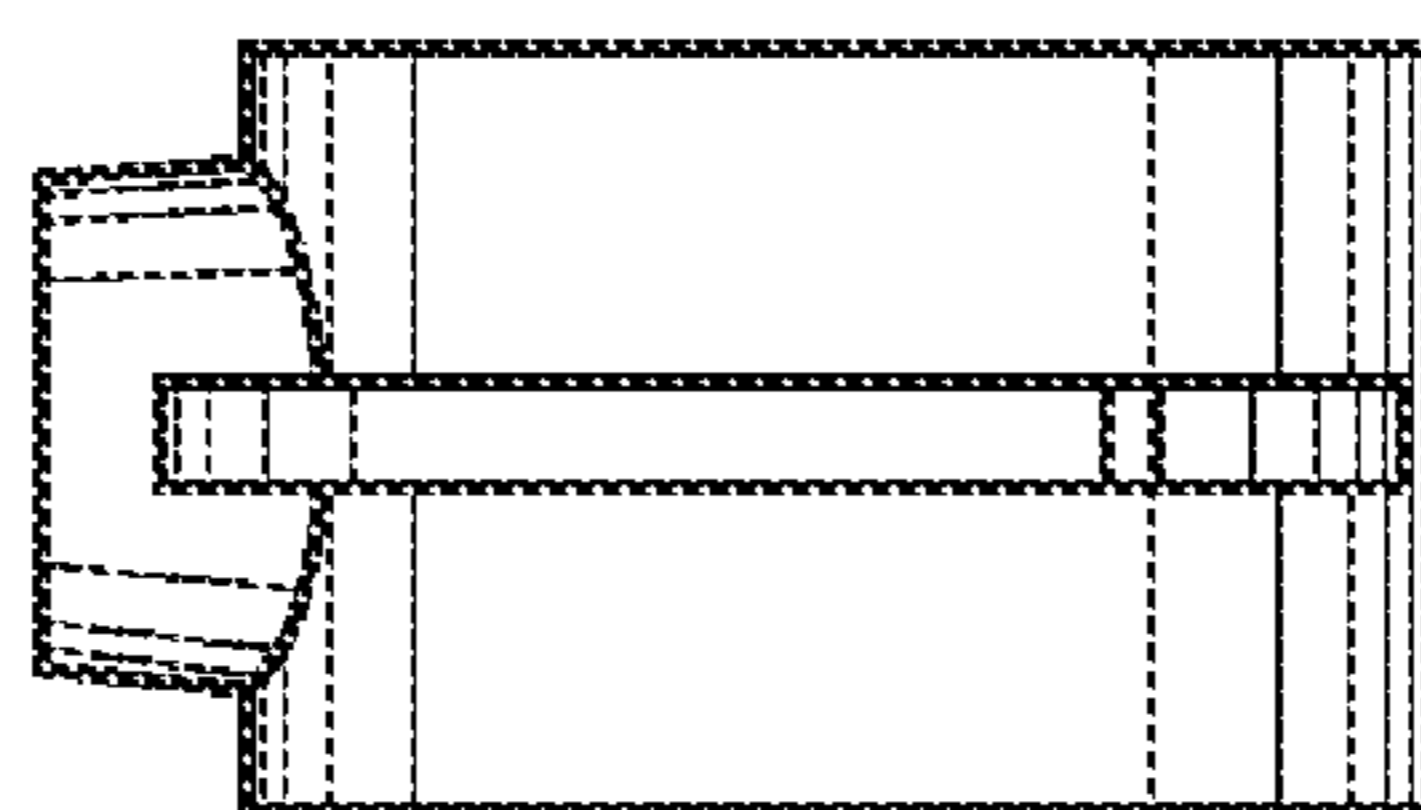


FIG. 2

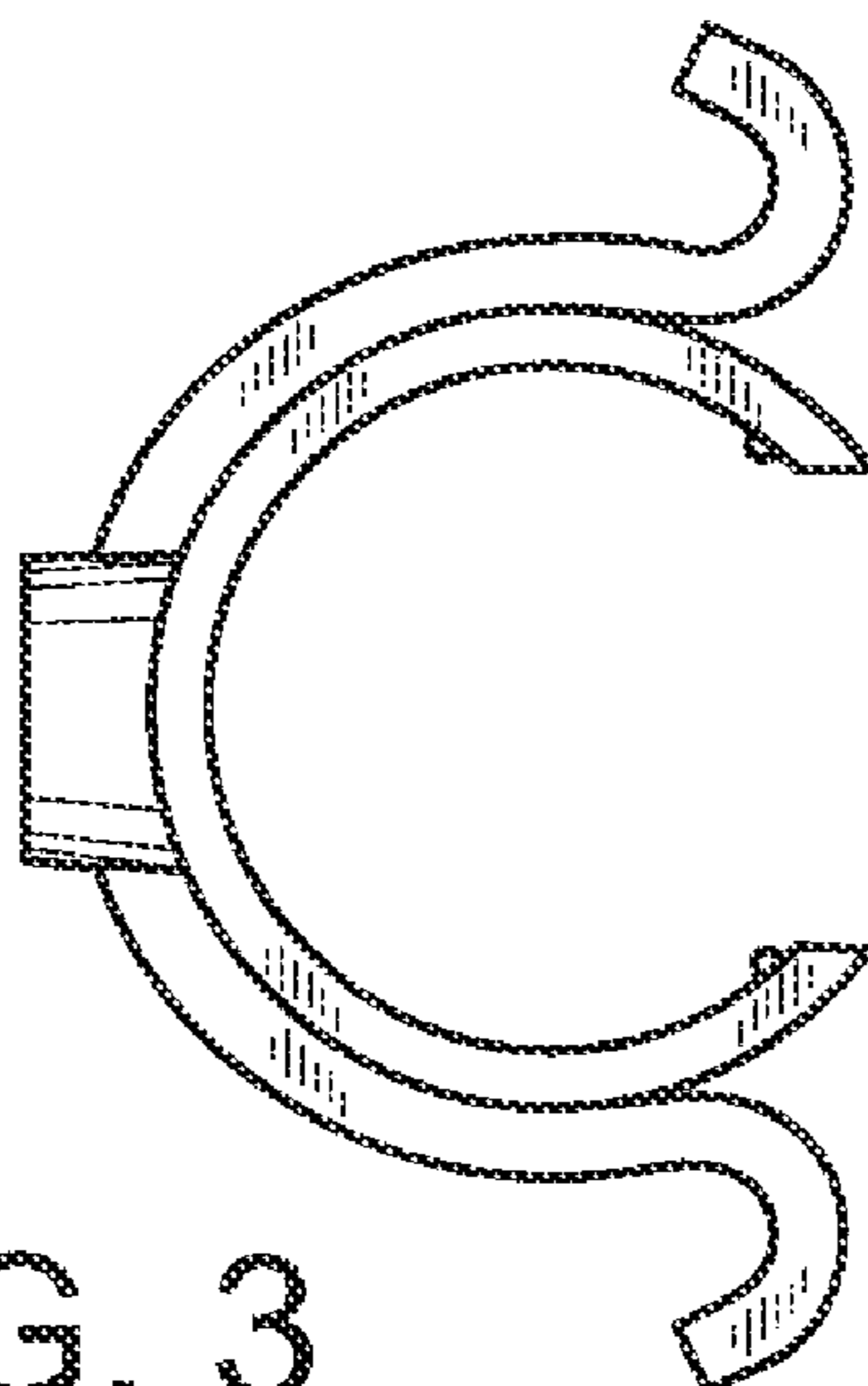


FIG. 3