



US00D586645S

(12) **United States Design Patent**  
**Lee**

(10) **Patent No.:** **US D586,645 S**

(45) **Date of Patent:** **\*\* \*Feb. 17, 2009**

(54) **LETTER OPENER**

D435,422 S \* 12/2000 Schimmel ..... D8/104  
D543,824 S \* 6/2007 Lee ..... D8/104

(76) Inventor: **Doug Lee**, 480 Cloverleaf Dr., Baldwin Park, CA (US) 91706-6504

\* cited by examiner

(\*) Notice: This patent is subject to a terminal disclaimer.

*Primary Examiner*—Cathron C. Brooks

*Assistant Examiner*—Austin Murphy

(74) *Attorney, Agent, or Firm*—Roland Tong

(\*\*) Term: **14 Years**

(57) **CLAIM**

(21) Appl. No.: **29/271,308**

The ornamental design for a letter opener, as shown and described.

(22) Filed: **Jan. 16, 2007**

**DESCRIPTION**

(51) **LOC (9) Cl.** ..... **08-03**

FIG. 1 is a perspective view of the letter opener of the present invention.

(52) **U.S. Cl.** ..... **D8/103**

FIG. 2 is a rear elevational view of the letter opener shown in FIG. 1.

(58) **Field of Classification Search** ..... D8/107,  
D8/102, 104, 48, 99, 98, 41; D19/65; 30/DIG. 3,  
30/294, 280; 254/28; 7/160; 16/DIG. 24;  
606/170

FIG. 3 is a front elevational view of the letter opener shown in FIG. 1.

See application file for complete search history.

FIG. 4 is a left side view of the letter opener shown in FIG. 1.

(56) **References Cited**

FIG. 5 is a right side view of the letter opener shown in FIG. 1.

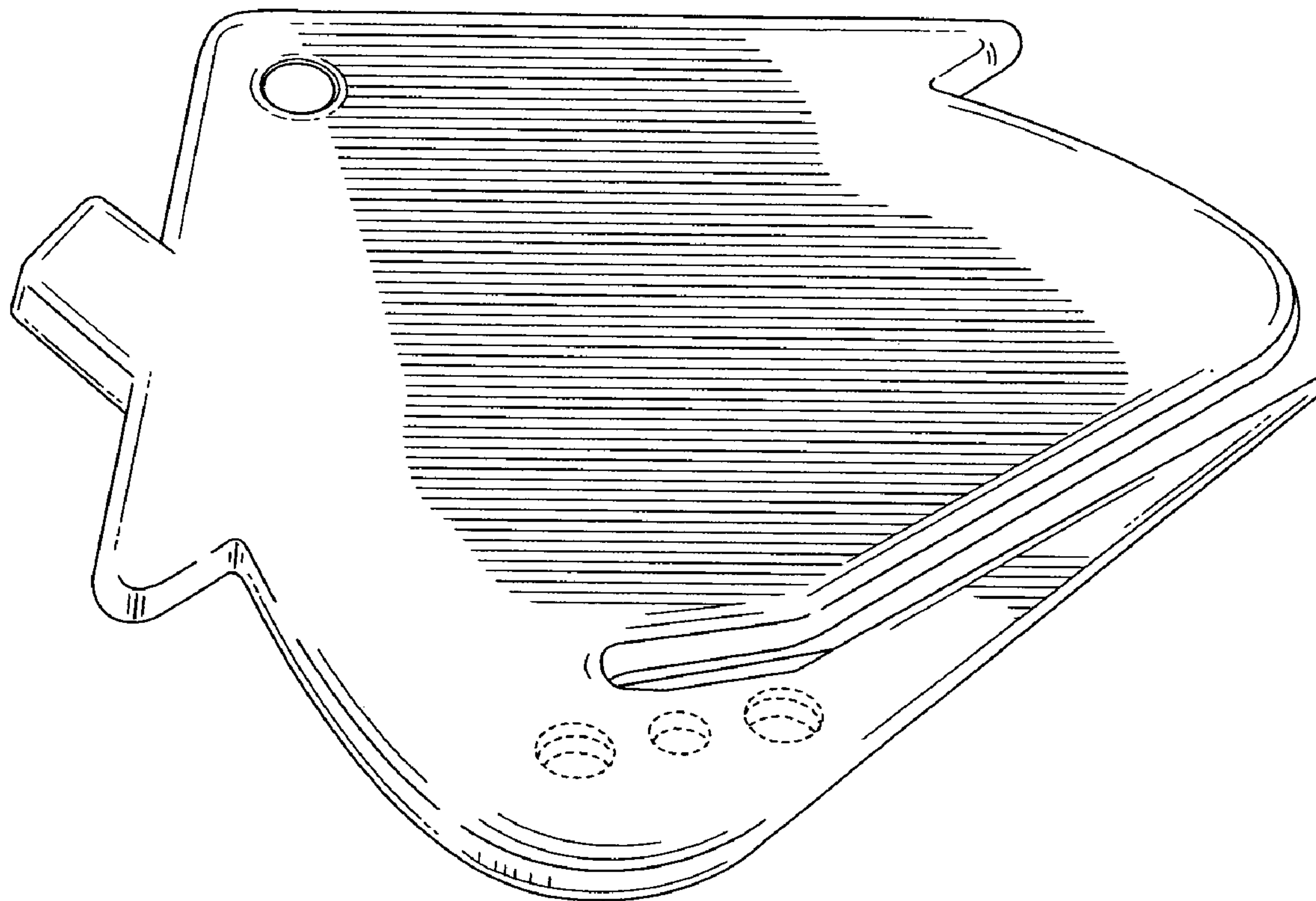
**U.S. PATENT DOCUMENTS**

FIG. 6 is a top plan view of the letter opener shown in FIG. 1; and,

D306,394 S *	3/1990	Koenig	.....	D8/102
D329,184 S *	9/1992	Lage et al.	.....	D8/103
D329,584 S *	9/1992	Shevin et al.	.....	D8/102
D329,798 S *	9/1992	Kramer et al.	.....	D8/102
D355,346 S *	2/1995	Schmidt	.....	D8/103
D355,347 S *	2/1995	Wenk	.....	D8/103
D421,889 S *	3/2000	Moore	.....	D8/102

FIG. 7 is a bottom plan view of the letter opener shown in FIG. 1.

**1 Claim, 3 Drawing Sheets**



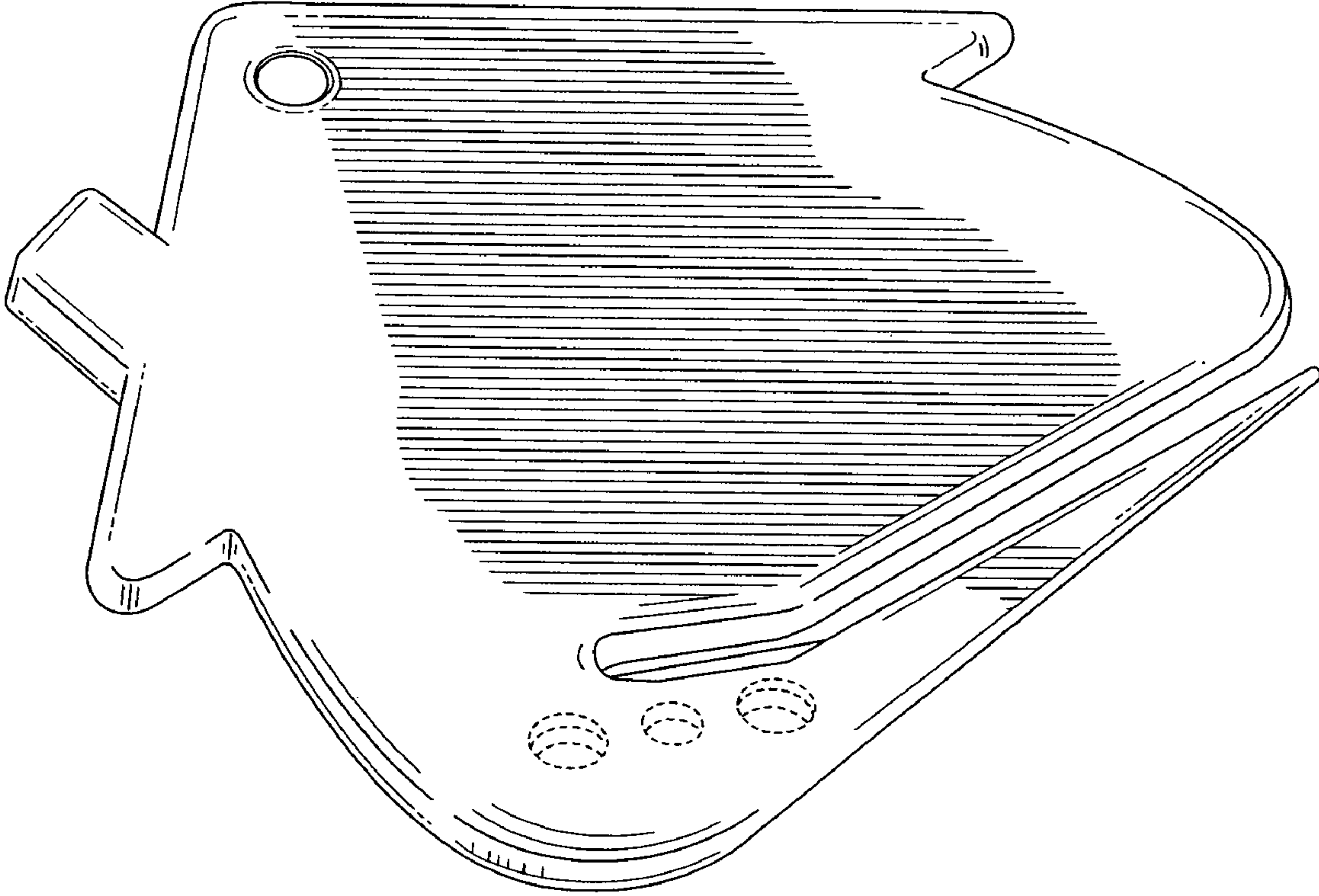


FIG. 1

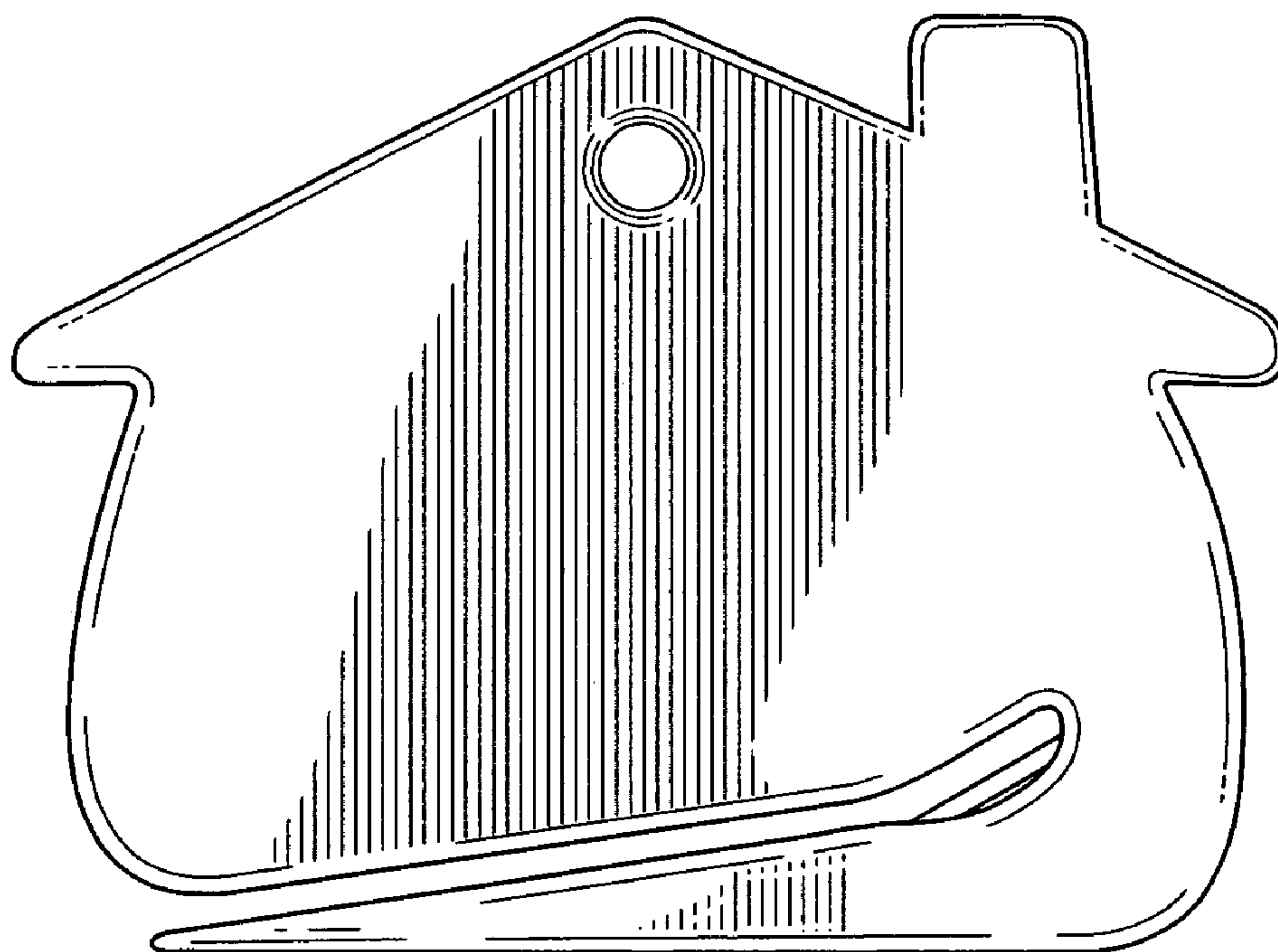


FIG. 2

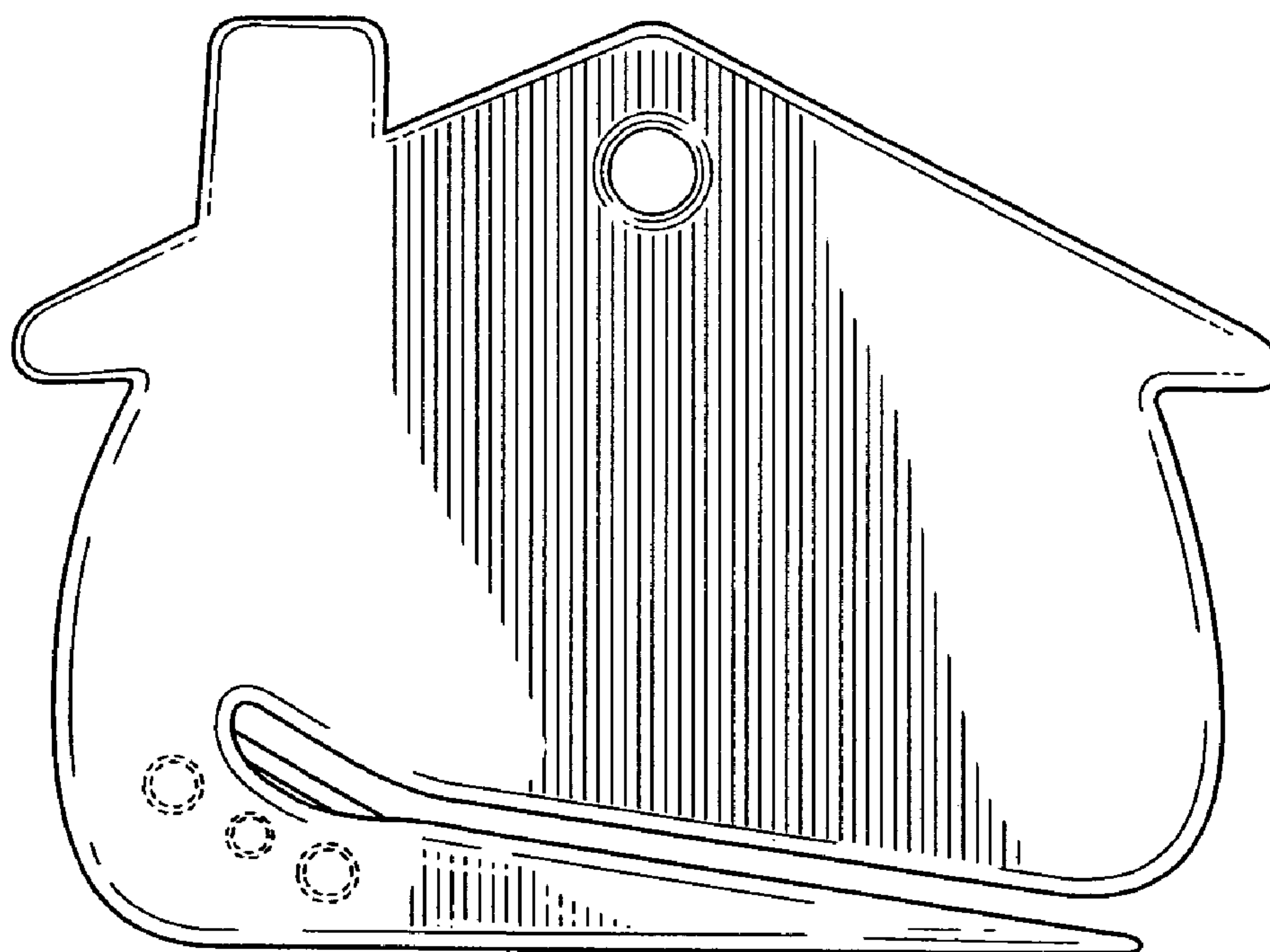
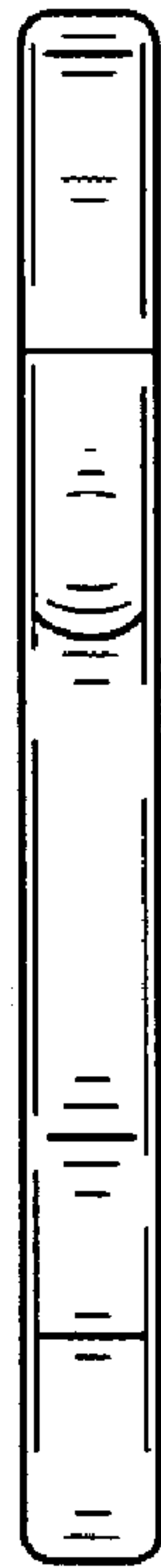
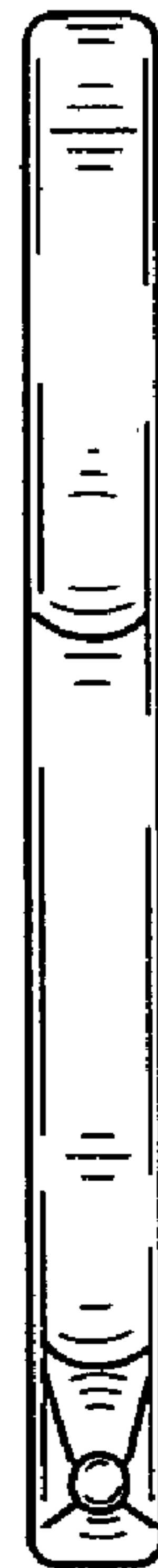


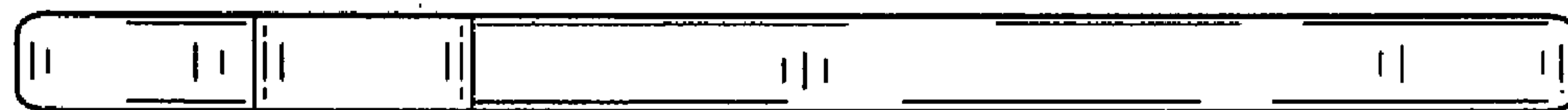
FIG. 3



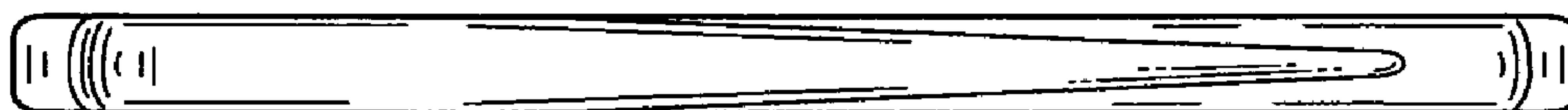
**FIG. 4**



**FIG. 5**



**FIG. 6**



**FIG. 7**