



US00D586641S

(12) **United States Design Patent**
Flynn

(10) **Patent No.:** **US D586,641 S**

(45) **Date of Patent:** **** Feb. 17, 2009**

(54) **PRY BAR HOLDER**

(76) **Inventor:** **William T. Flynn**, 2053 E. Bayshore Rd., #13, Redwood City, CA (US) 94063

(**) **Term:** **14 Years**

(21) **Appl. No.:** **29/258,238**

(22) **Filed:** **Apr. 19, 2006**

(51) **LOC (9) Cl.** **08-05**

(52) **U.S. Cl.** **D8/71**

(58) **Field of Classification Search** D8/70-74,
D8/349, 354, 355, 373, 395, 14; D3/315;
D6/553; D15/130, 132, 135, 136, 138-141,
D15/144.1, 144.2; D19/78; 206/349, 372,
206/373; 211/70.1, 70.6; 220/696; 294/19.1,
294/27.1, 86.4; 299/104, 106; 16/429; 29/527.1,
29/527.5; 248/229.15

See application file for complete search history.

(56) **References Cited**

U.S. PATENT DOCUMENTS

D134,196 S *	10/1942	Smith	D8/71
D134,622 S *	12/1942	Yates	D8/72
D135,425 S *	4/1943	McLaren	D8/71
D251,542 S *	4/1979	Ozvath et al.	D8/343
D385,469 S *	10/1997	Borgstrom	D8/72
D390,437 S *	2/1998	King, Jr.	D8/71
D392,770 S *	3/1998	Scallon et al.	D27/183
D410,192 S *	5/1999	Giese	D8/354
D426,235 S *	6/2000	Phirippidis et al.	D14/253
6,109,200 A *	8/2000	Rieger	114/363
D445,249 S *	7/2001	Russell	D3/228

D477,211 S *	7/2003	Everett	D8/373
6,651,855 B1	11/2003	Flynn	
6,708,372 B2 *	3/2004	Stewart	16/422
D492,888 S *	7/2004	Wilson	D8/349
6,834,767 B1 *	12/2004	Lin	211/70.6
6,981,677 B1 *	1/2006	Tjeerdsma	248/316.5
2002/0027092 A1 *	3/2002	Hu	206/378
2003/0034316 A1 *	2/2003	Kao	211/70.6

* cited by examiner

Primary Examiner—T. Chase Nelson

Assistant Examiner—Karen Acker

(74) *Attorney, Agent, or Firm*—Edward S. Wright

(57) **CLAIM**

The ornamental design for a pry bar holder, as shown and described.

DESCRIPTION

FIG. 1 is an isometric view of a pry bar holder showing my new design;

FIG. 2 is a right side elevational view thereof;

FIG. 3 is a top plan view thereof;

FIG. 4 is a front elevational view thereof;

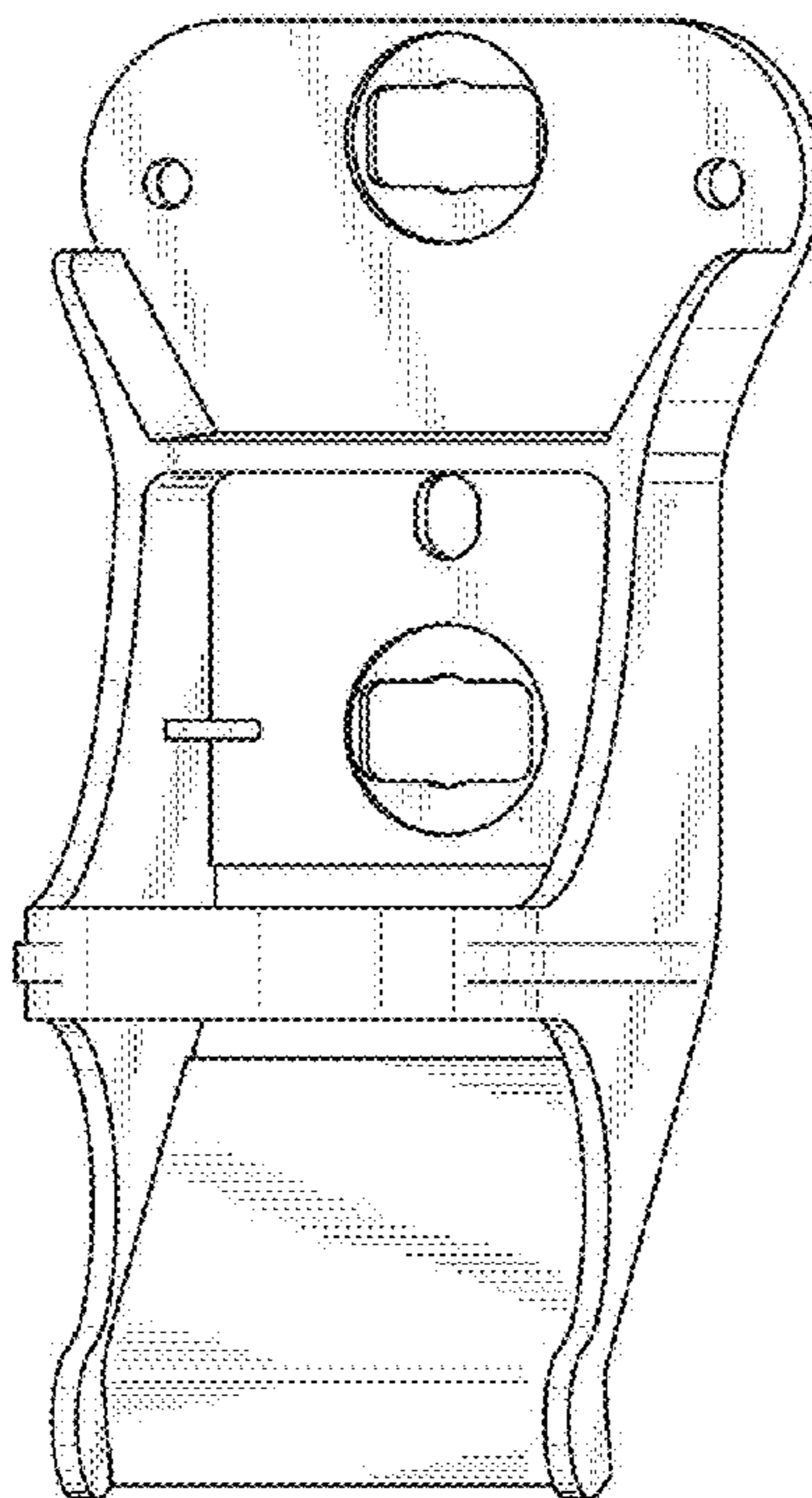
FIG. 5 is a rear elevational view thereof;

FIG. 6 is a left side elevational view thereof; and,

FIG. 7 is a bottom plan view thereof.

The broken lines represent the portions of the design that form no part of the claimed design.

1 Claim, 3 Drawing Sheets



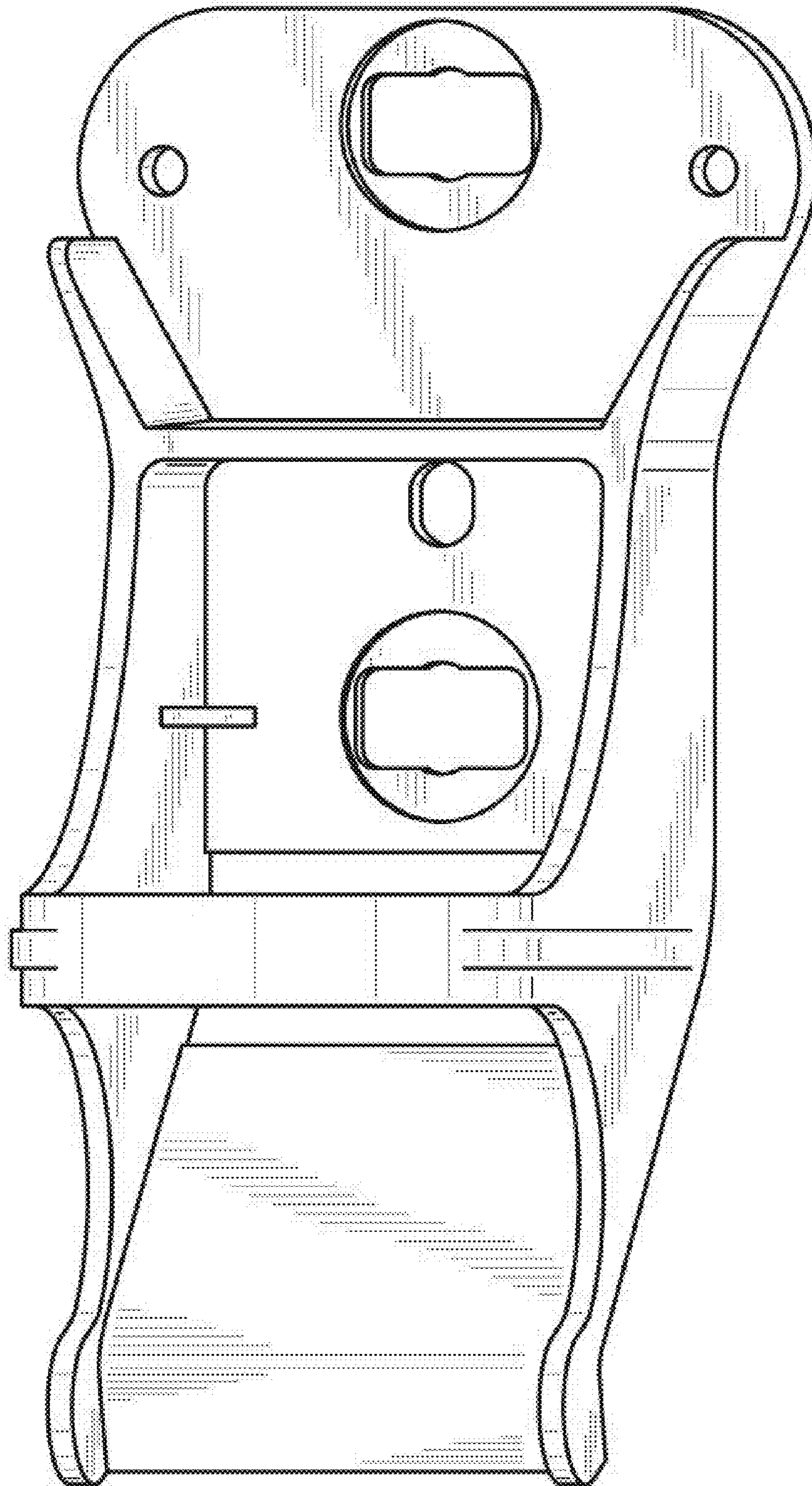


FIG. 1

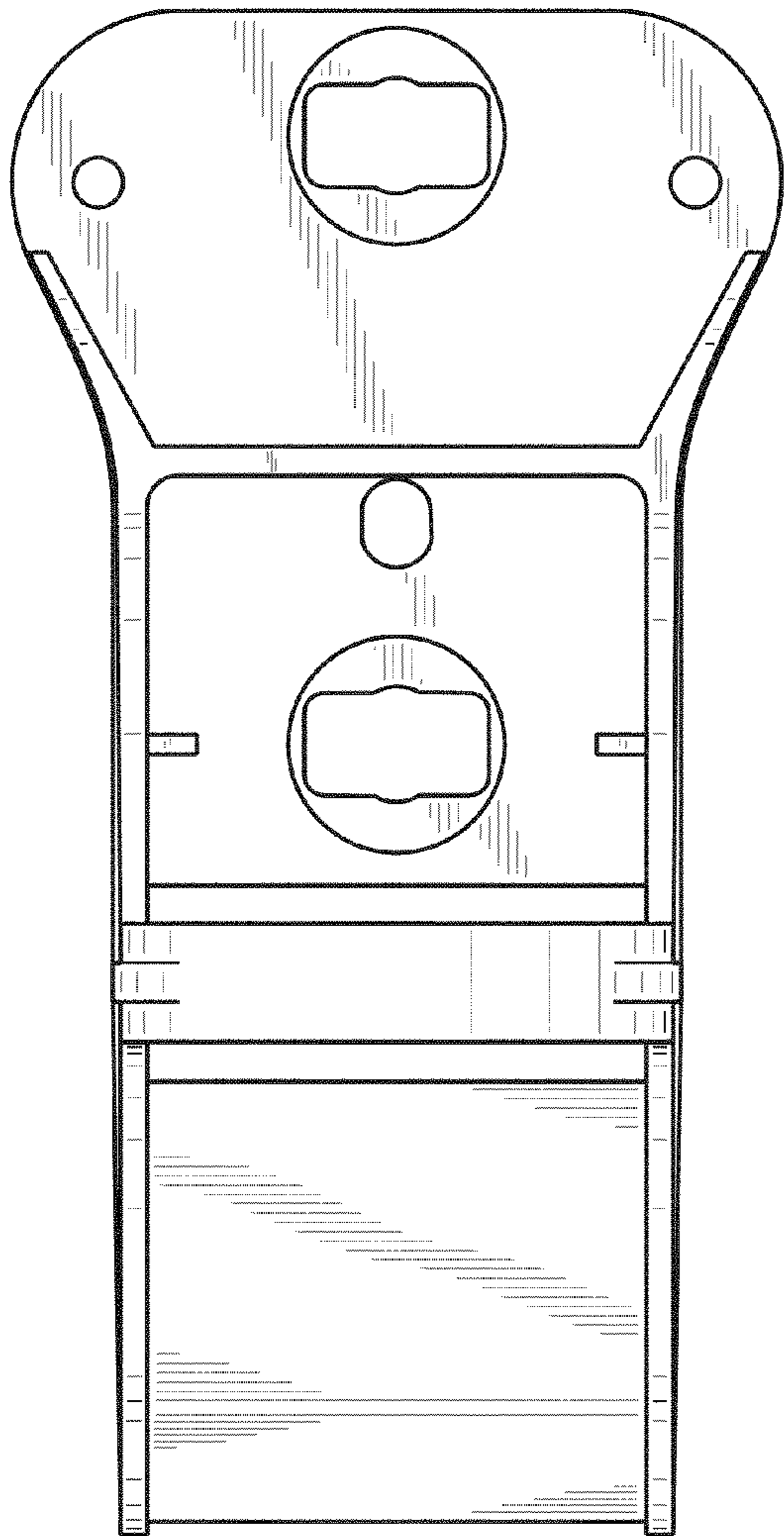


FIG. 4

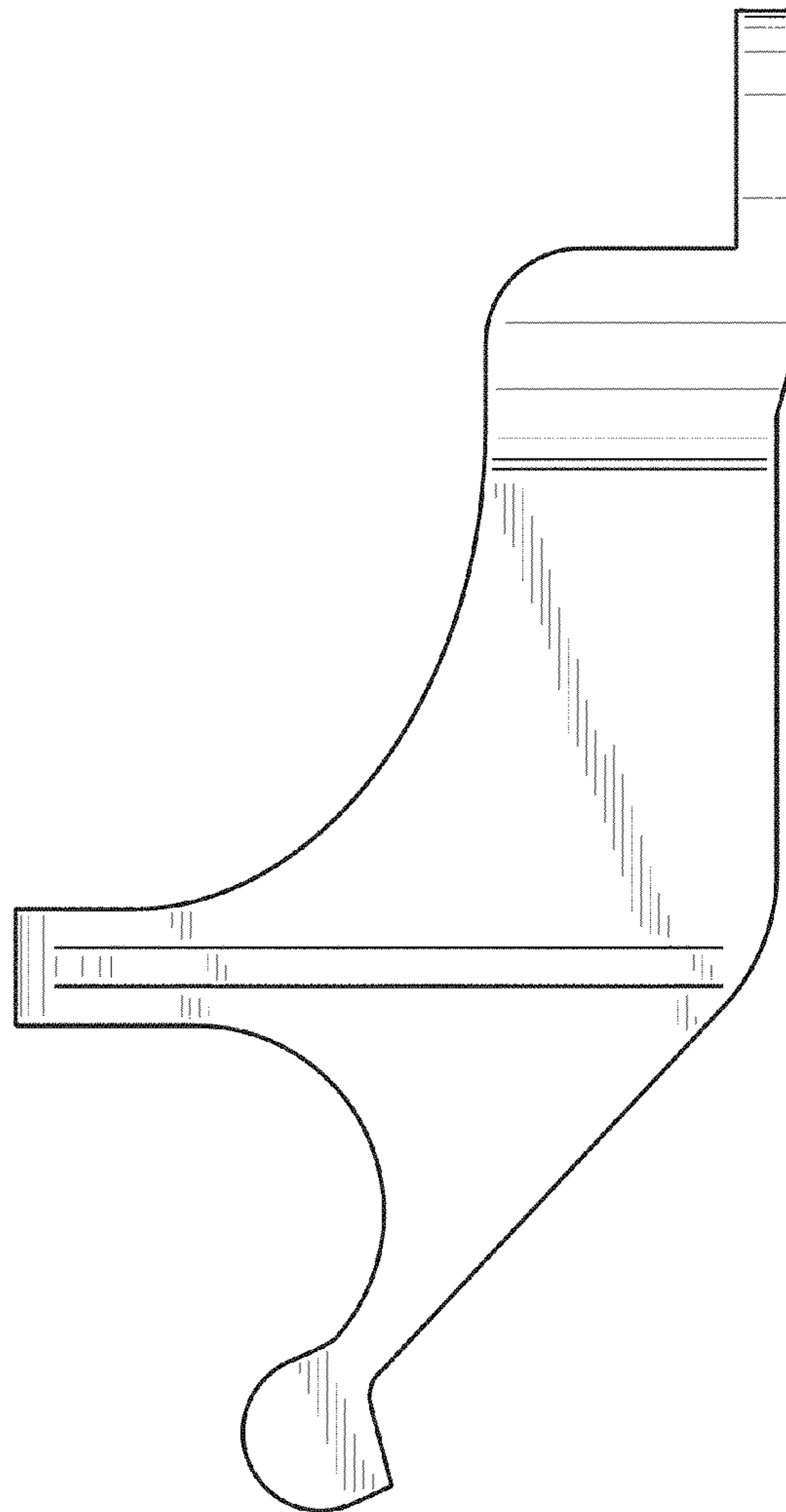


FIG. 2

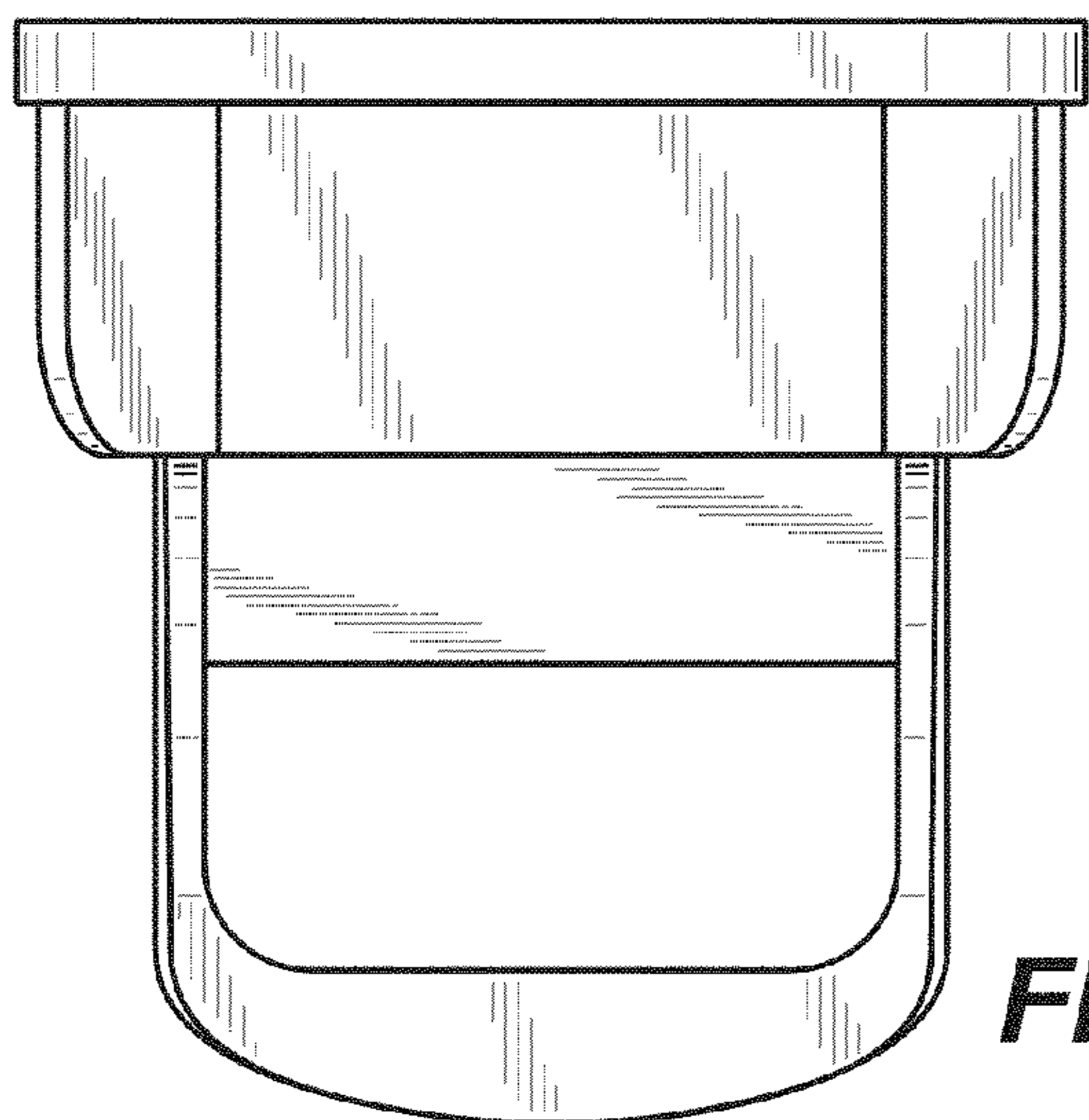


FIG. 3

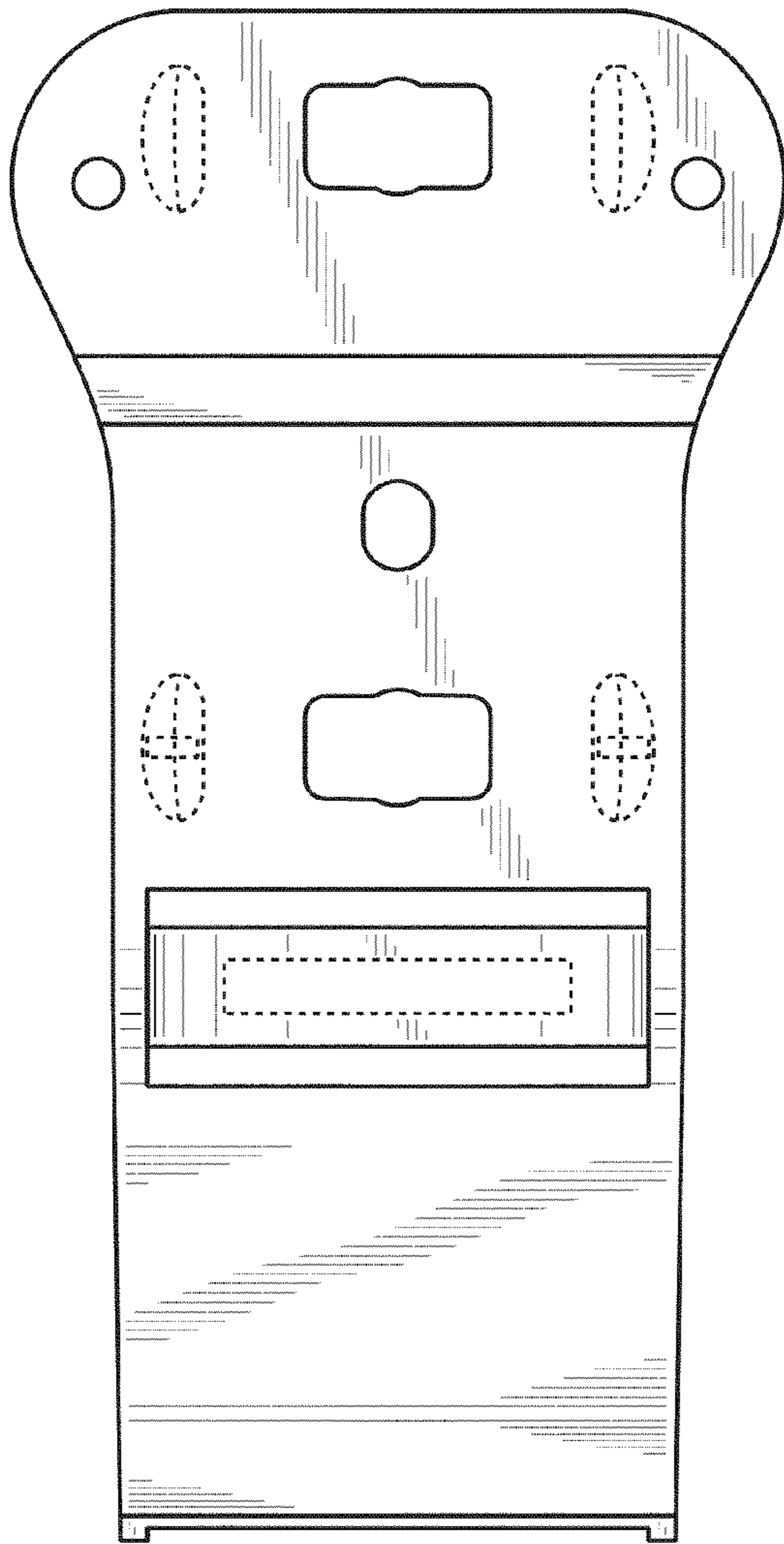


FIG. 5

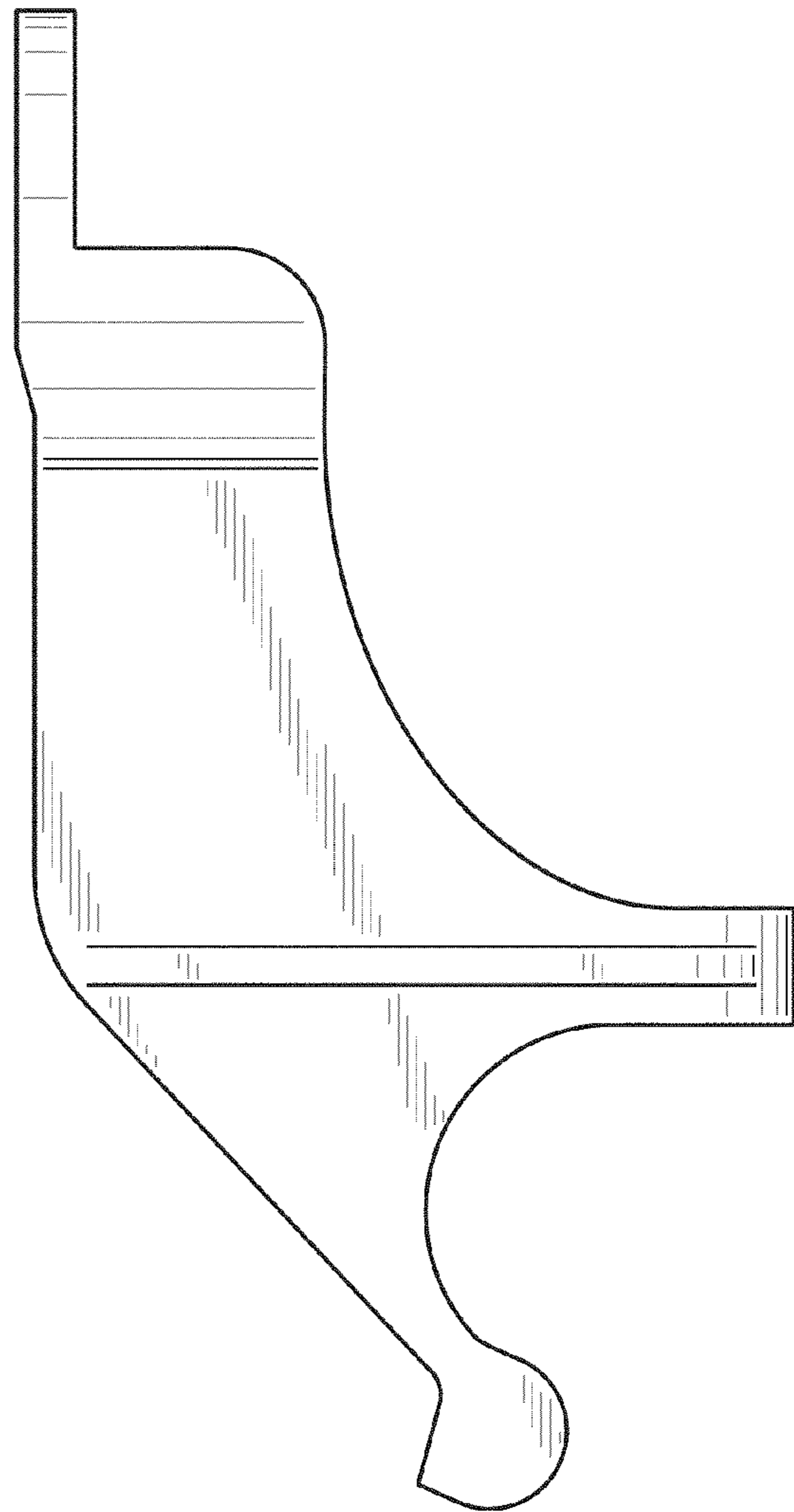


FIG. 6

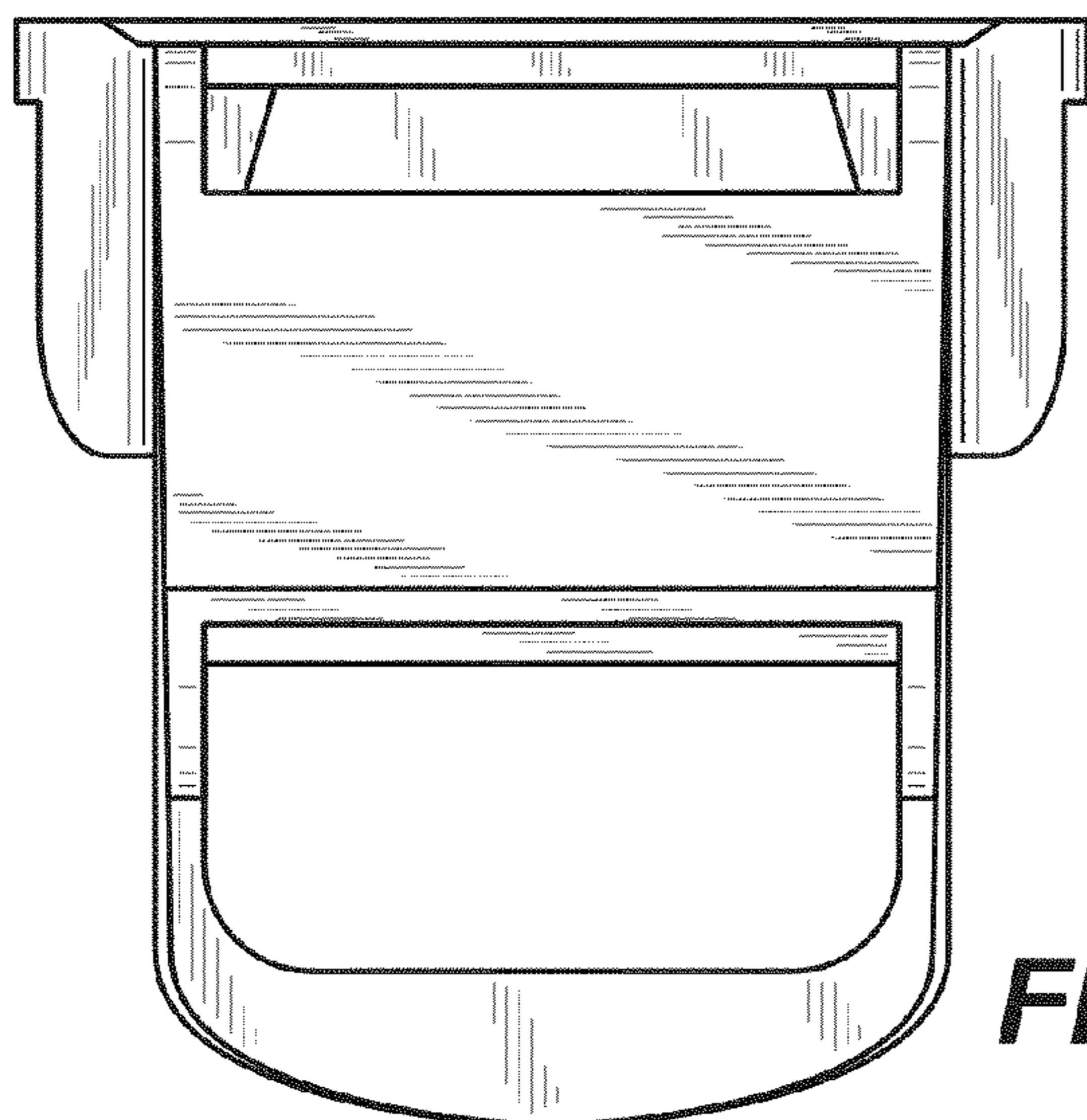


FIG. 7