



US00D586640S

(12) **United States Design Patent**  
**Torigai et al.**

(10) **Patent No.:** **US D586,640 S**  
(45) **Date of Patent:** **\*\* Feb. 17, 2009**

(54) **BOLT OR NUT TIGHTENING DEVICE**

**DESCRIPTION**

(75) Inventors: **Yukio Torigai**, Osaka (JP); **Shozo Matsumura**, Osaka (JP); **Takayoshi Obatake**, Osaka (JP)

(73) Assignee: **Maeda Metal Industries, Ltd.** (JP)

(\*\*) Term: **14 Years**

(21) Appl. No.: **29/295,711**

(22) Filed: **Oct. 4, 2007**

(30) **Foreign Application Priority Data**

Apr. 11, 2007 (JP) ..... 2007-009640

(51) **LOC (9) Cl.** ..... **08-05**

(52) **U.S. Cl.** ..... **D8/69**

(58) **Field of Classification Search** ..... D8/14.1,  
D8/61, 62, 63, 64, 65, 66, 67, 68, 69, 70;  
81/56, 57.11, 429, 454, 455, 456, 469, 489;  
173/13, 104, 114, 168, 169, 170, 171, 178,  
173/201, 211, 213, 217; 408/20, 124, 125,  
408/234, 241 R; 451/358; 310/50; 227/8,  
227/113, 114, 120, 130, 136, 142

See application file for complete search history.

(56) **References Cited**

**U.S. PATENT DOCUMENTS**

4,403,529 A \* 9/1983 Ikeda et al. .... 81/56

(Continued)

*Primary Examiner*—T. Chase Nelson

(74) *Attorney, Agent, or Firm*—Arnold B. Silverman; Eckert Seamans Cherin & Mellott, LLC

(57) **CLAIM**

The ornamental design for a bolt or nut tightening device, substantially as shown and described.

FIG. 1 is a front elevational view of a bolt or nut tightening device of the present design;

FIG. 2 is a rear elevational view thereof;

FIG. 3 is a left side view thereof;

FIG. 4 is a right side view thereof;

FIG. 5 is a top plan view thereof;

FIG. 6 is a bottom plan view thereof;

FIG. 7 is a sectional view taken along line 7—7 of FIG. 1;

FIG. 8 is a sectional view taken along line 8—8 of FIG. 1;

FIG. 9 is a sectional view taken along line 9—9 of FIG. 1;

FIG. 10 is a first perspective view of the bolt or nut tightening device of the present design, as seen from diagonally left upward of a socket side;

FIG. 11 is a second perspective view thereof, as seen from diagonally right upward of the socket side;

FIG. 12 is a third perspective view thereof, as seen from diagonally left downward of the socket side;

FIG. 13 is a fourth perspective view thereof, as seen from diagonally right downward of the socket side;

FIG. 14 is a fifth perspective view thereof, as seen from diagonally left upward of the handle side;

FIG. 15 is a sixth perspective view thereof, as seen from diagonally right upward of the handle side;

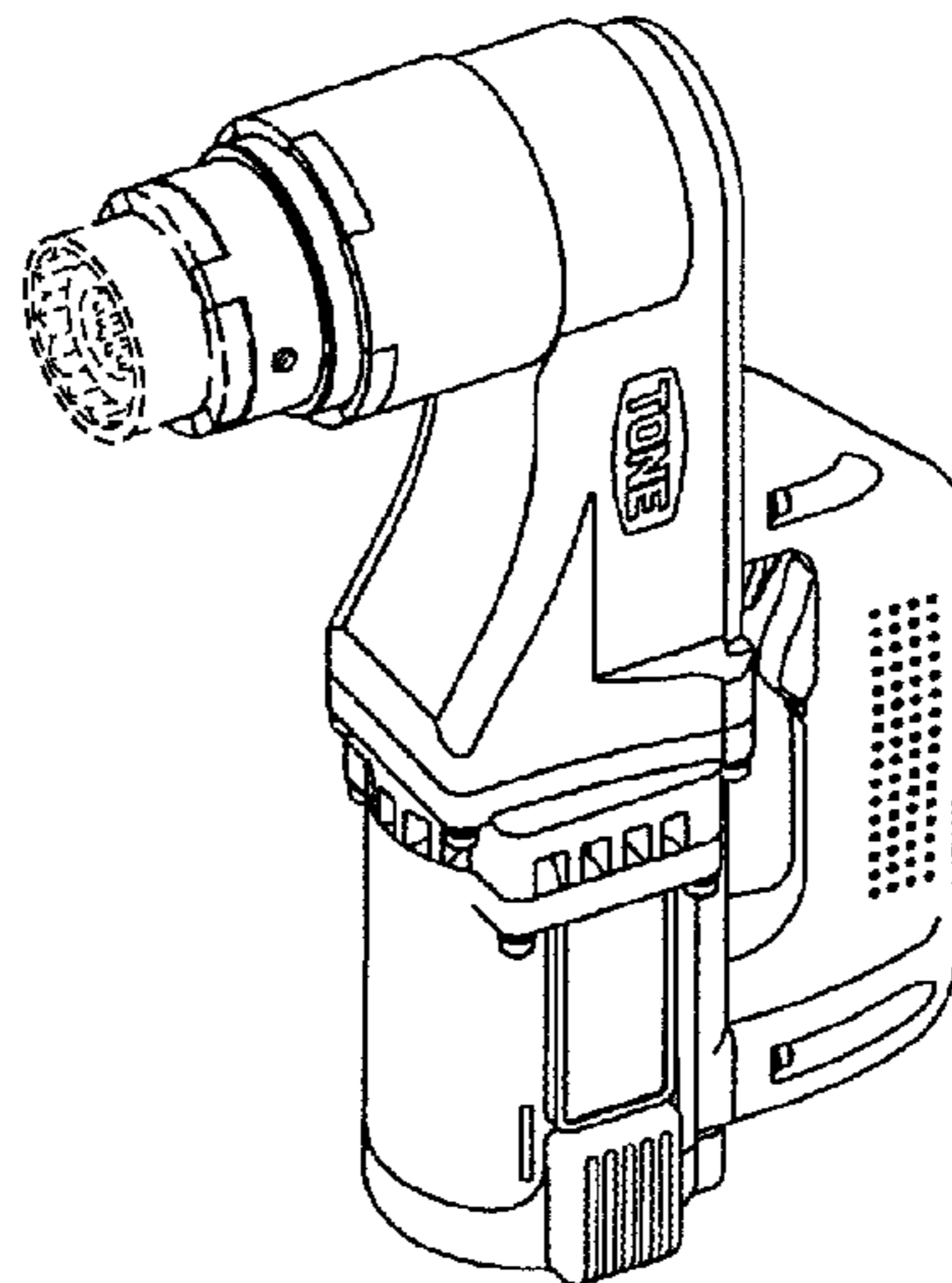
FIG. 16 is a seventh perspective view thereof, as seen from diagonally left downward of the handle side; and,

FIG. 17 is an eighth perspective view thereof, as seen from diagonally right downward of the handle side.

The broken lines are for purposes of illustrating unclaimed structure. The broken lines and structure they depict form no part of the claimed design.

The name TONE displayed on the bolt or nut tightening device is a trademark owned by Maeda Metal Industries, Ltd.

**1 Claim, 8 Drawing Sheets**



# US D586,640 S

Page 2

---

## U.S. PATENT DOCUMENTS

D270,809 S *	10/1983	Ikeda et al. ....	D8/68	5,953,965 A *	9/1999	Kaneyama et al. ....	81/469
4,467,676 A *	8/1984	Ikeda et al. ....	81/56	6,053,080 A *	4/2000	Kaneyama et al. ....	81/469
D360,568 S *	7/1995	Fukuhara et al. ....	D8/69	D509,120 S *	9/2005	Okuda et al. ....	D8/69
5,582,079 A *	12/1996	Matsumura et al. ....	81/56	7,135,791 B2 *	11/2006	Kushida et al. ....	307/150
				D569,207 S *	5/2008	Torigai et al. ....	D8/69

\* cited by examiner

FIG. 1

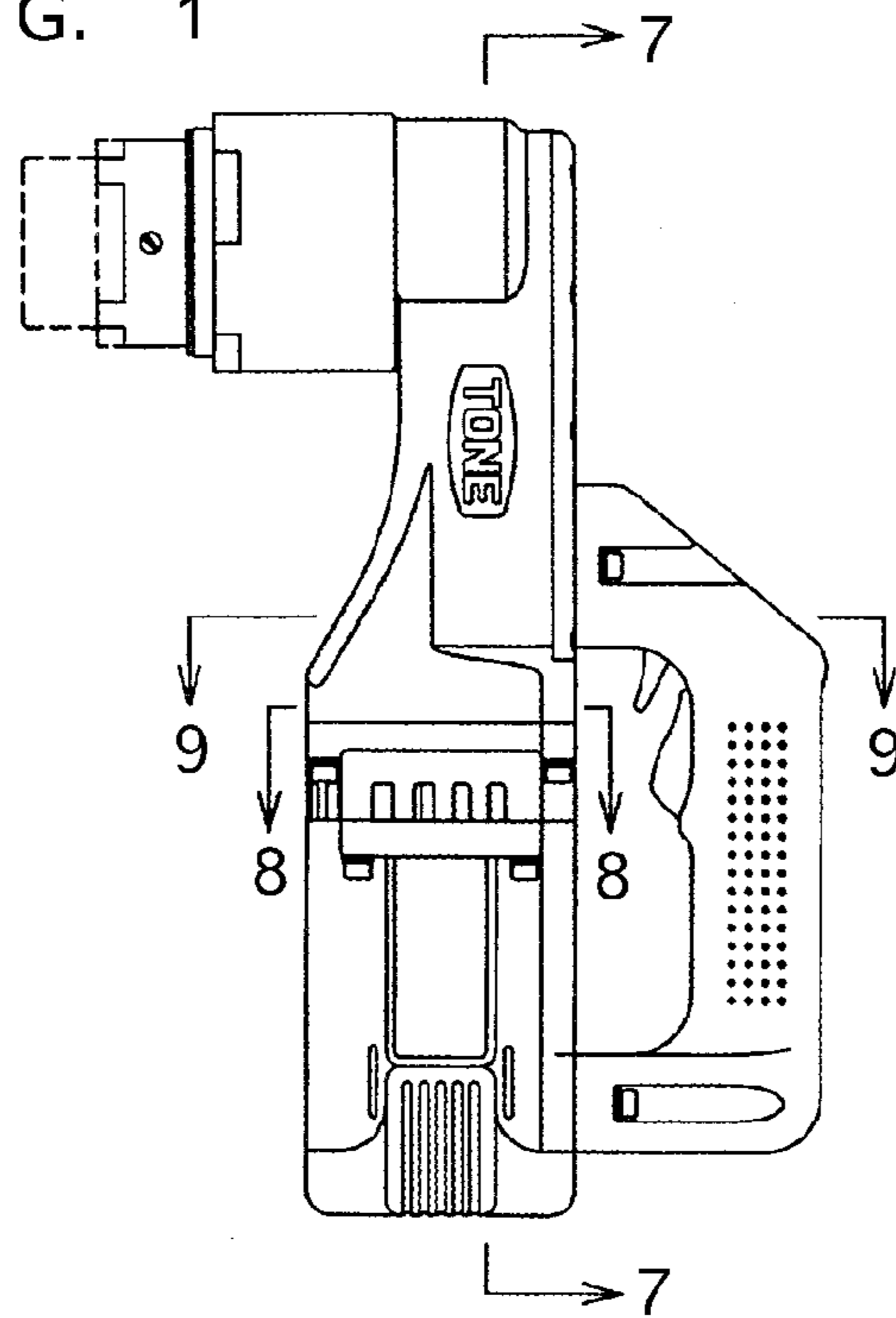


FIG. 2

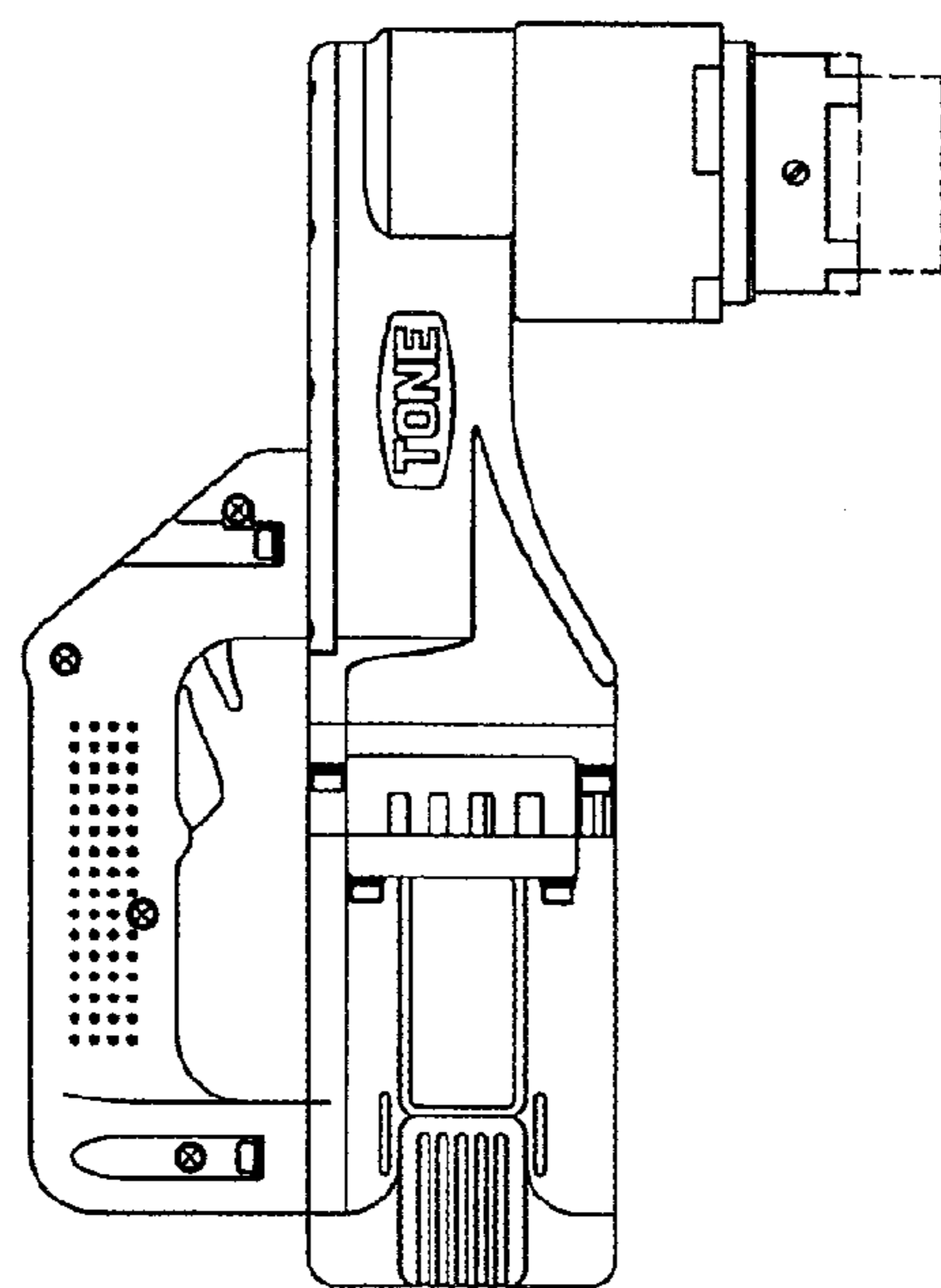


FIG. 3

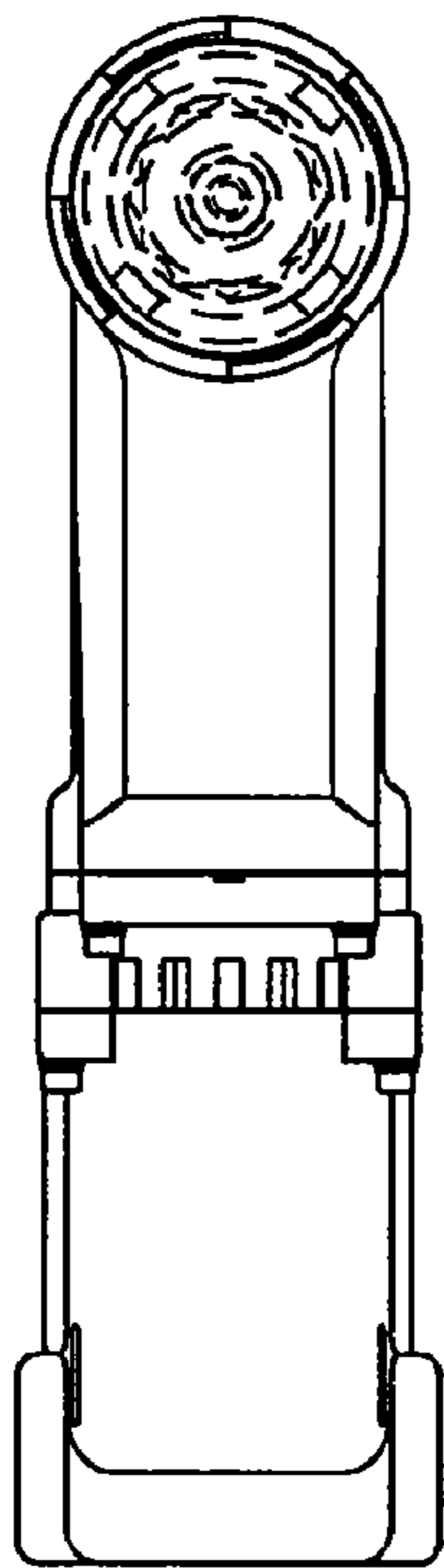


FIG. 4

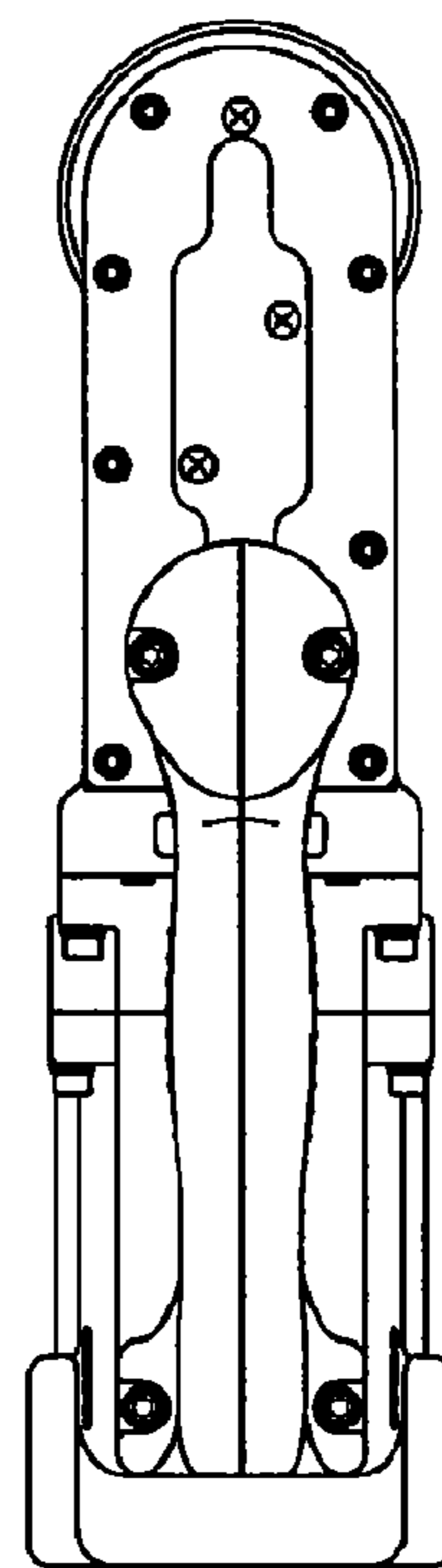


FIG. 5

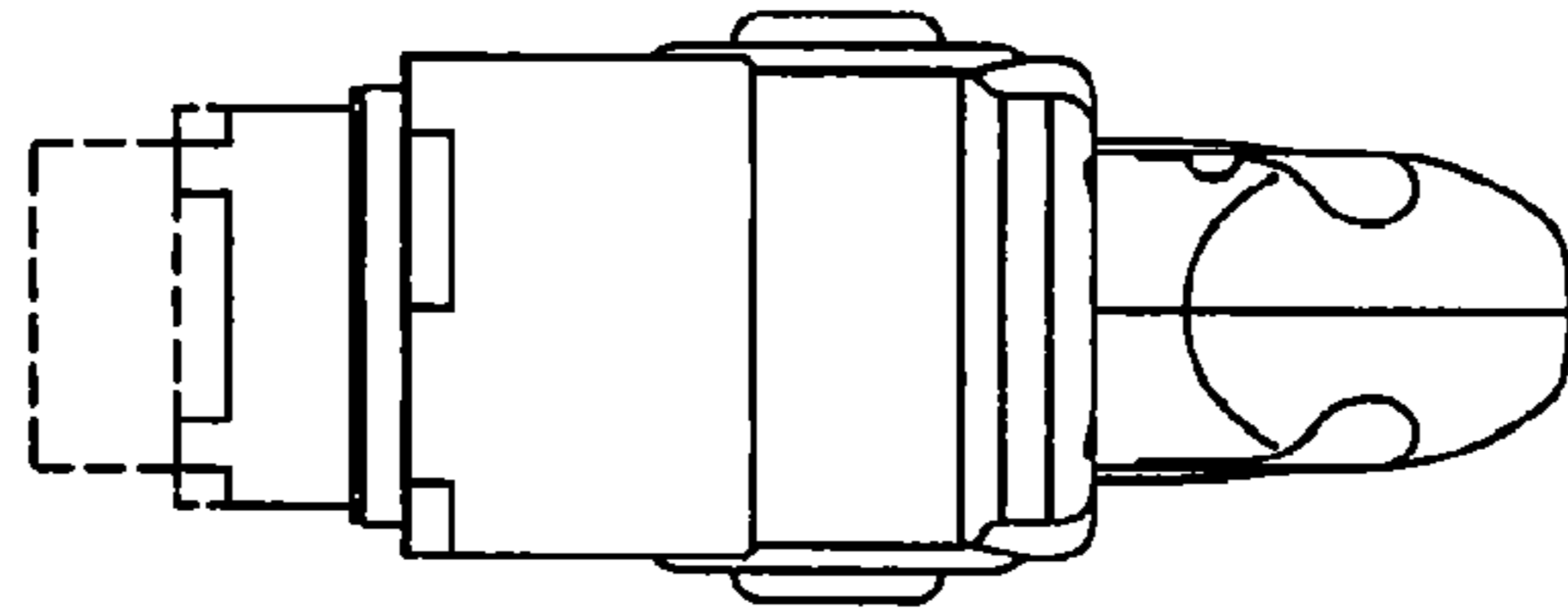


FIG. 6

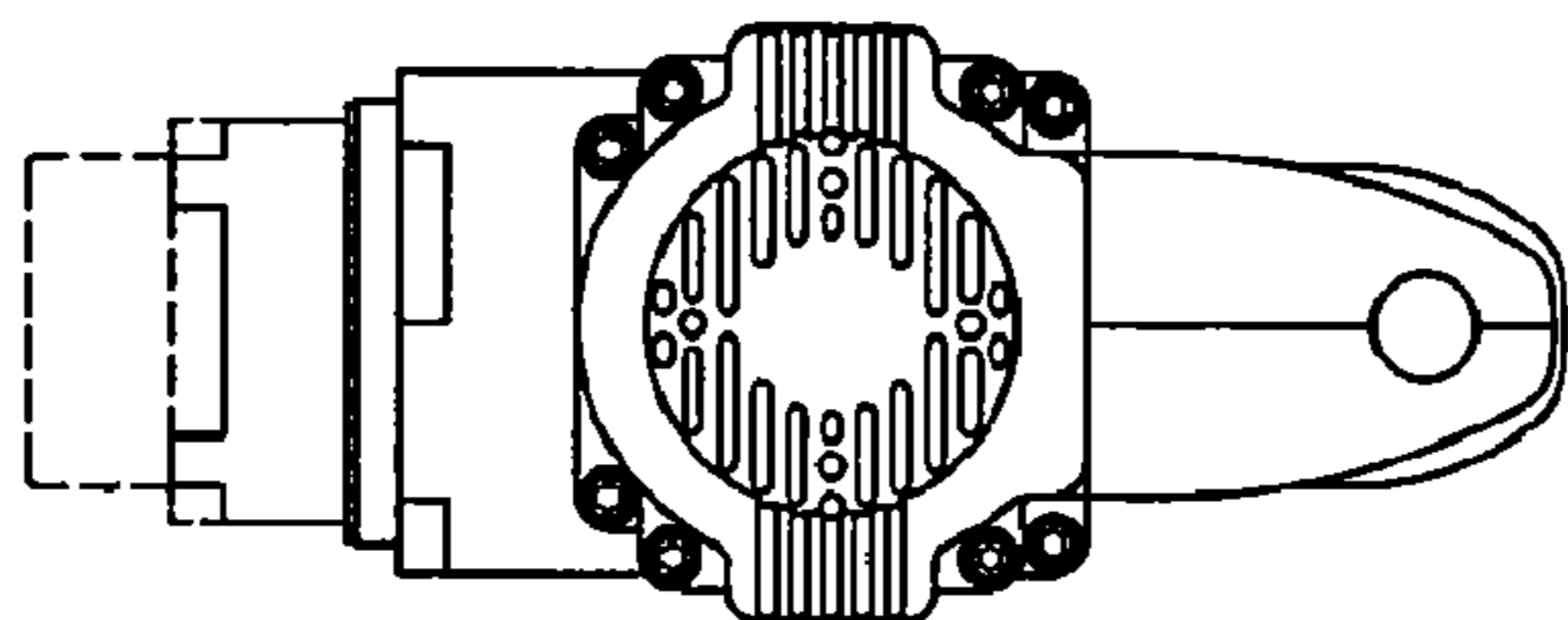


FIG. 7

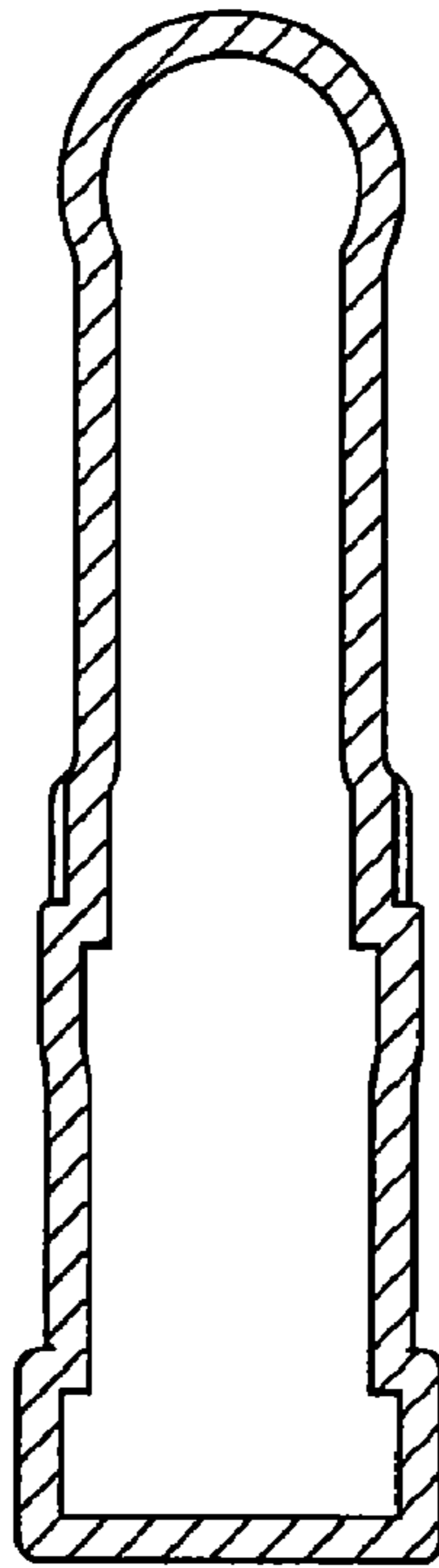


FIG. 8

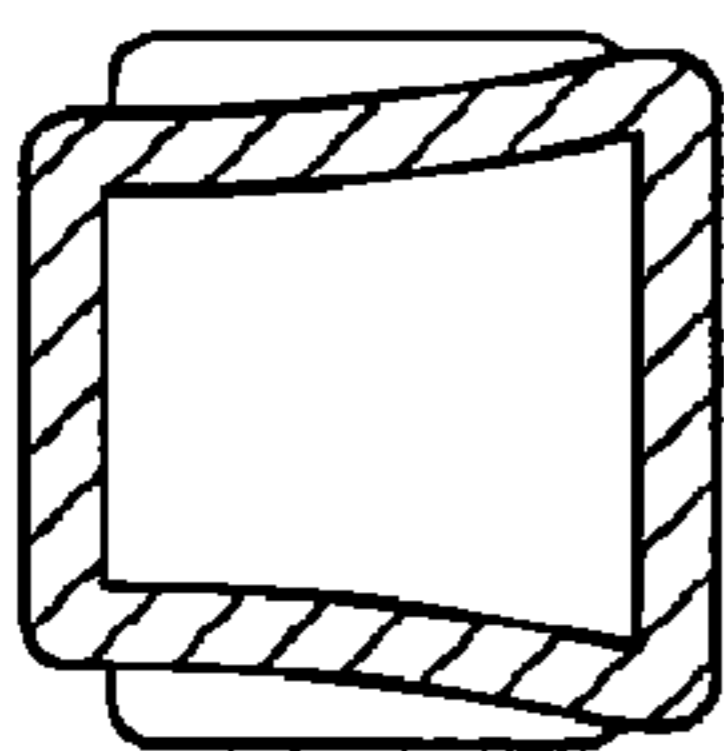


FIG. 9

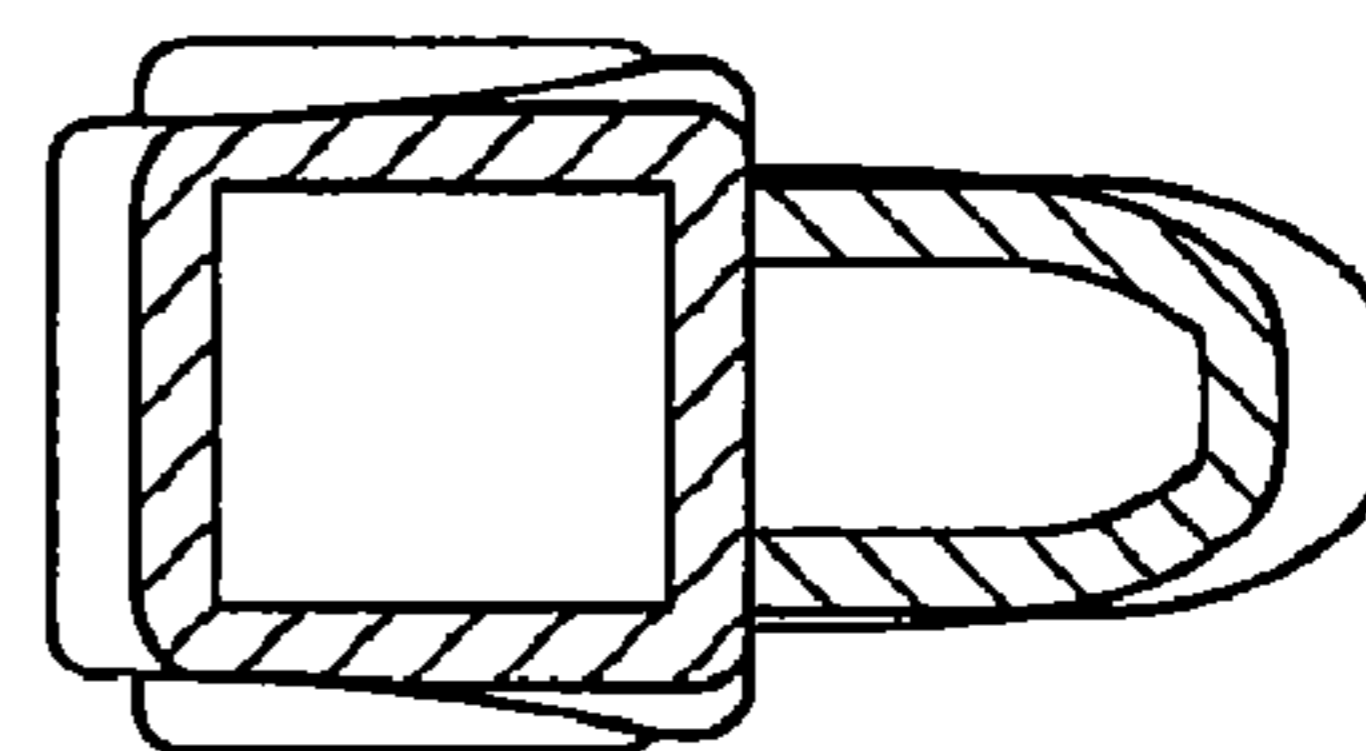


FIG. 10

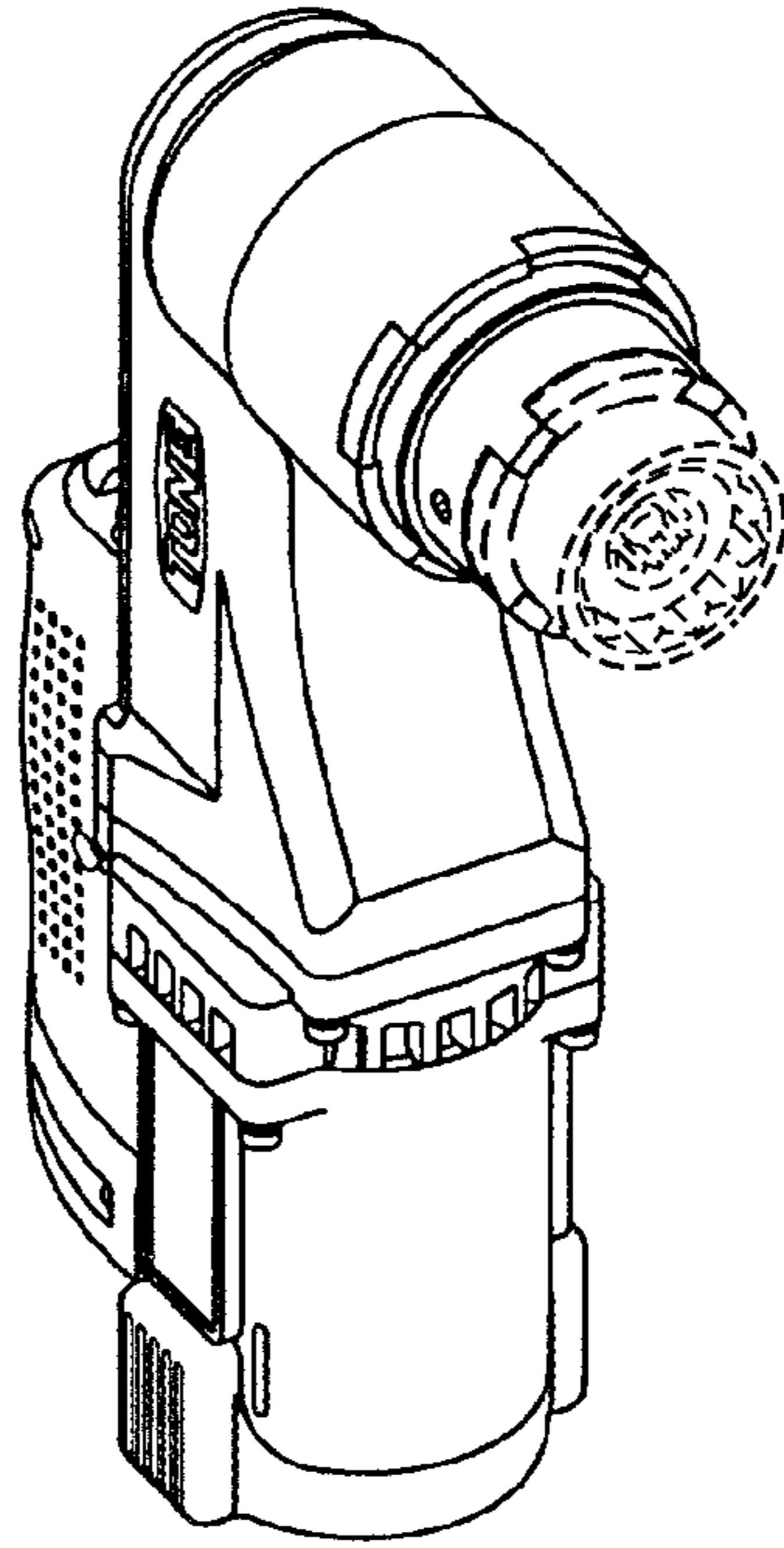


FIG. 11

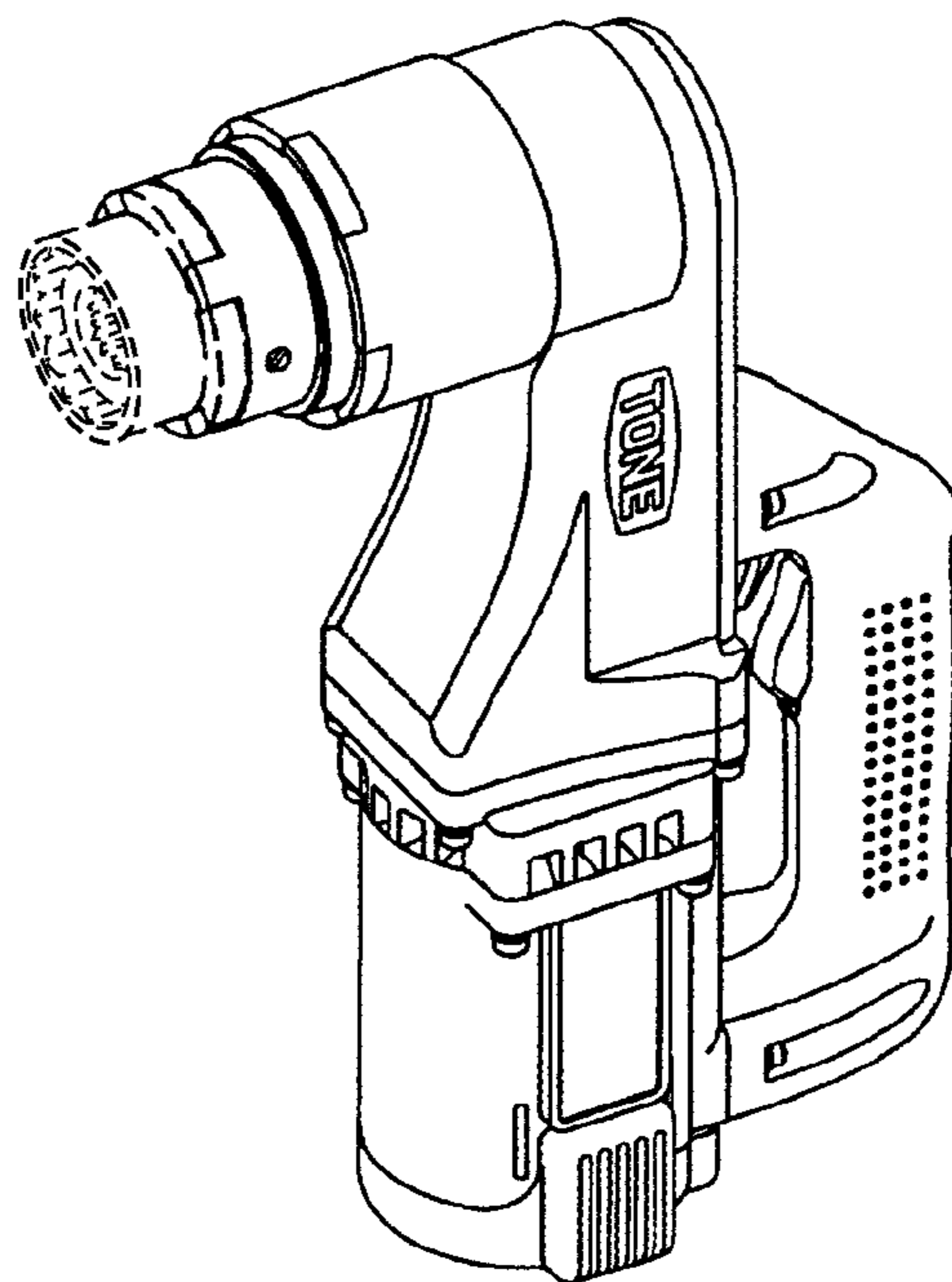


FIG. 12

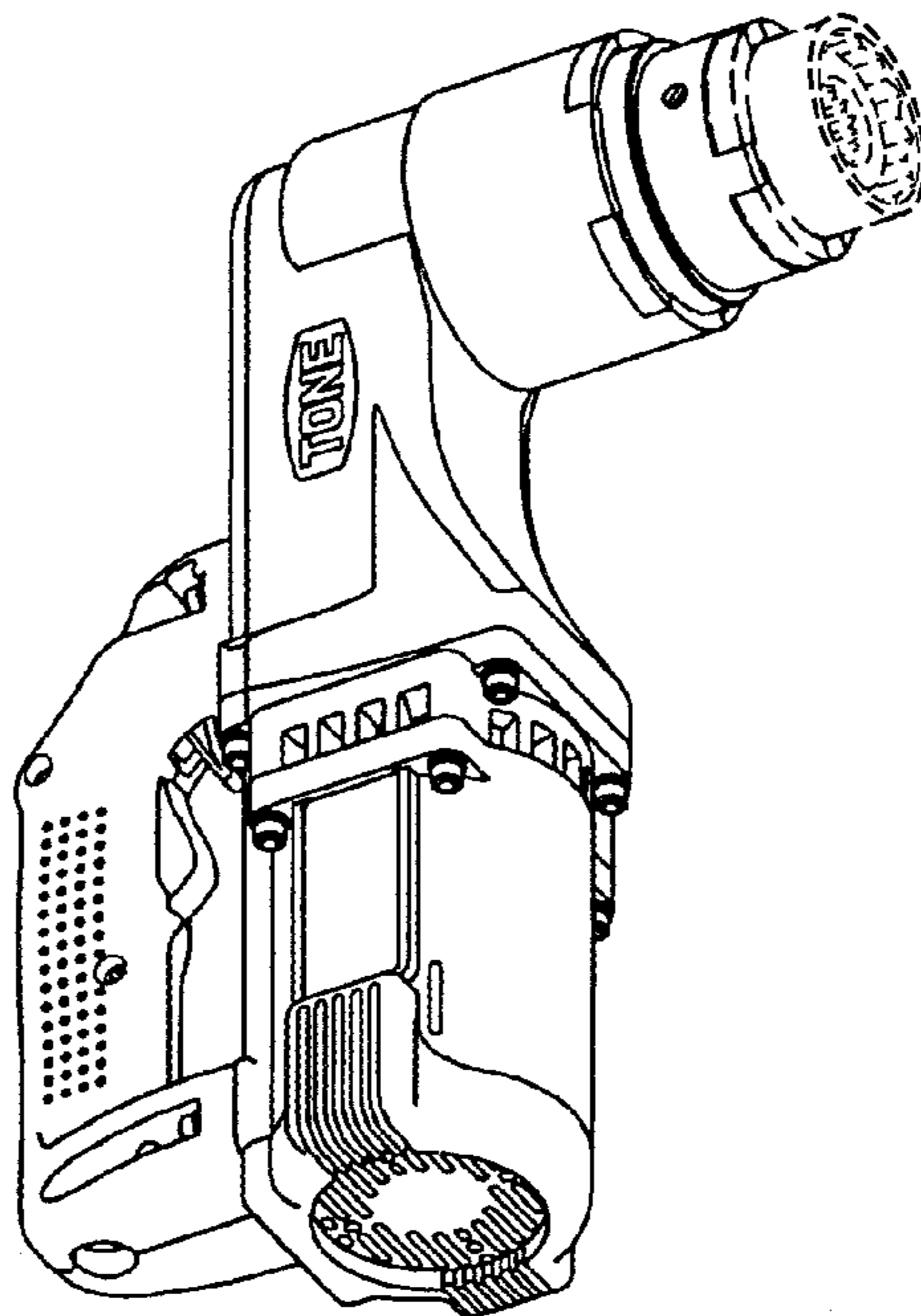


FIG. 13

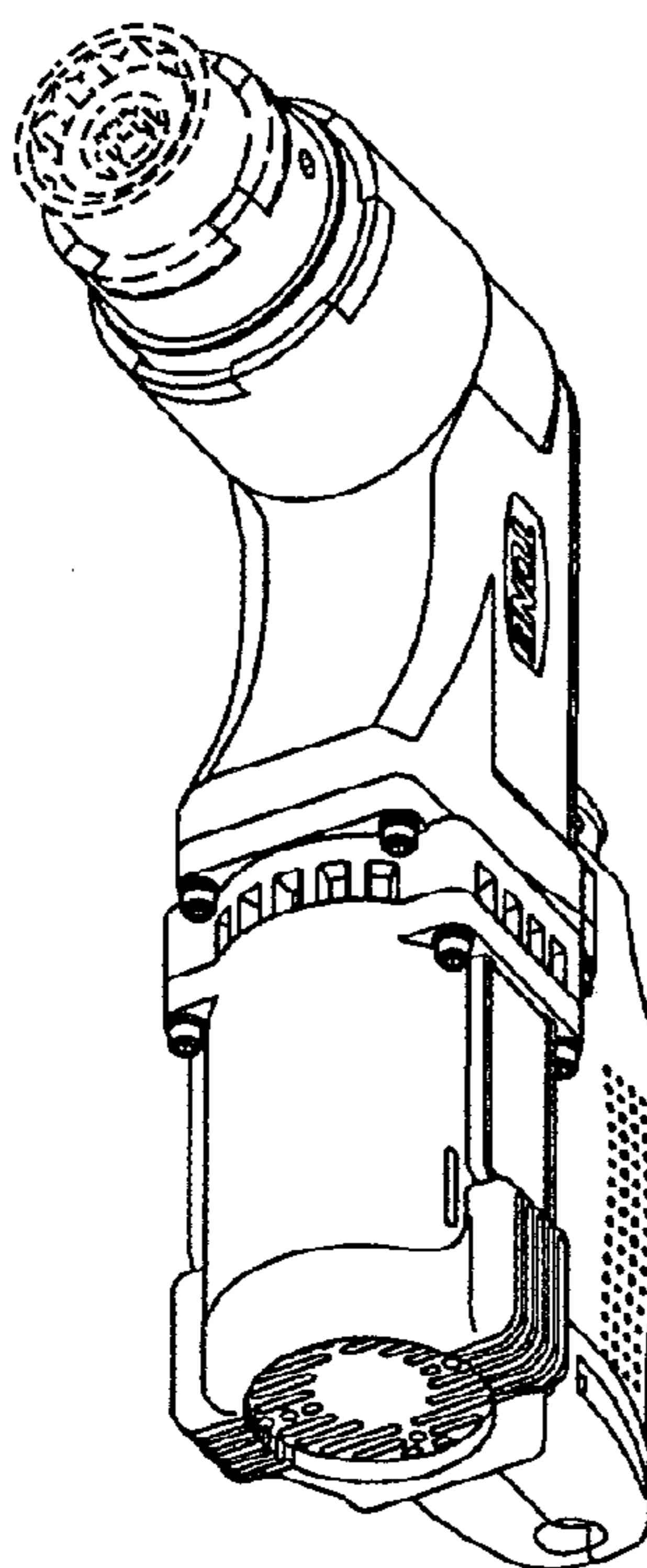




FIG. 14

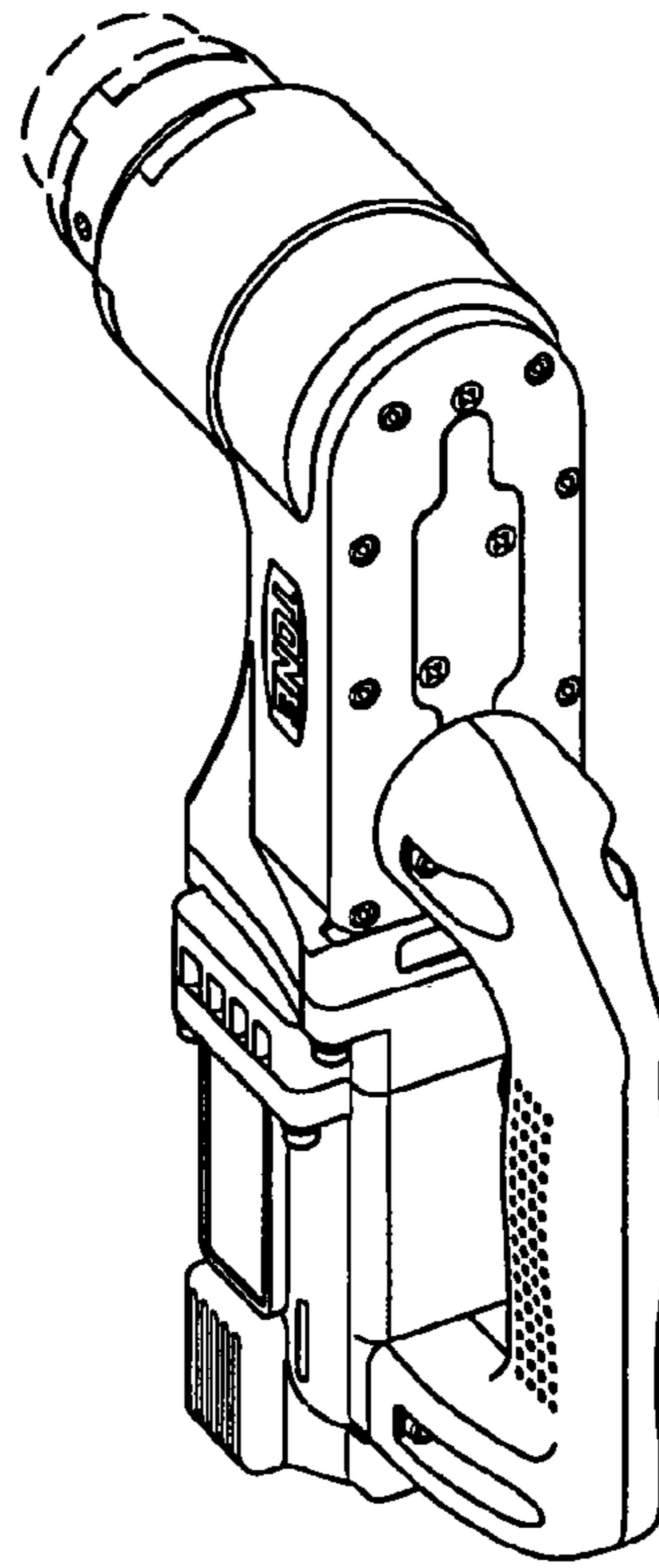


FIG. 15

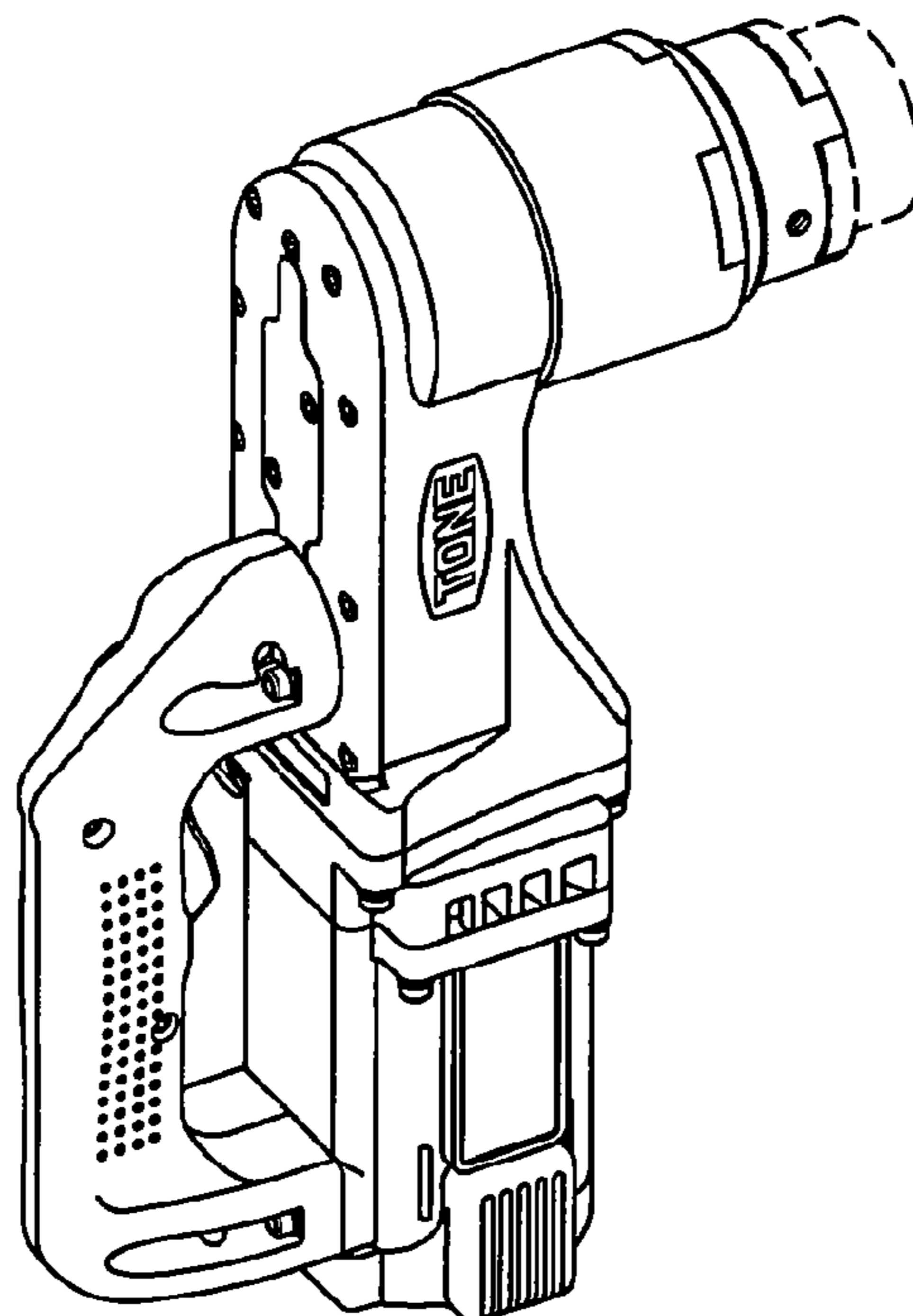


FIG. 16

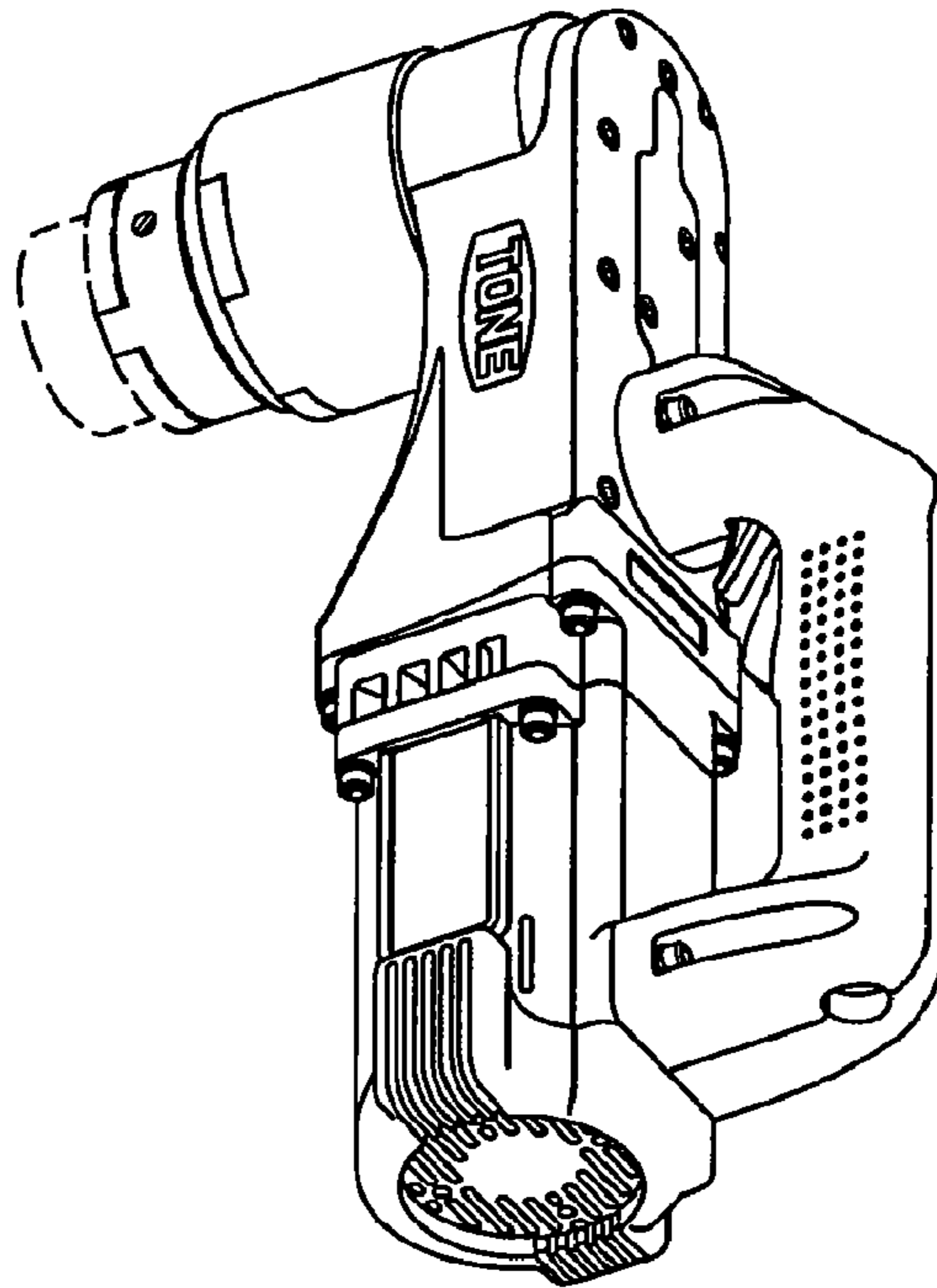


FIG. 17

