



US00D586639S

(12) **United States Design Patent**  
**Yamamoto et al.**

(10) **Patent No.:** **US D586,639 S**

(45) **Date of Patent:** **\*\* Feb. 17, 2009**

(54) **PORTABLE ELECTRIC DRIVER**

(75) Inventors: **Yuji Yamamoto, Anjo (JP); Shinsuke Okuda, Anjo (JP)**

(73) Assignee: **Makita Corporation, Anjo (JP)**

(\*\*) Term: **14 Years**

(21) Appl. No.: **29/290,948**

(22) Filed: **Feb. 1, 2008**

(30) **Foreign Application Priority Data**

Aug. 16, 2007 (JP) ..... 2007-022300

(51) **LOC (9) Cl.** ..... **08-05**

(52) **U.S. Cl.** ..... **D8/69**

(58) **Field of Classification Search** ..... D8/14.1,  
D8/61, 62, 63, 64, 65, 66, 67, 68, 69, 70;  
81/57.11, 429, 454, 455, 456, 469, 489; 173/13,  
173/104, 114, 168, 169, 170, 171, 178, 201,  
173/211, 213, 217; 408/20, 124, 125, 234,  
408/241 R; 451/358; 310/50; 227/8, 113,  
227/114, 120, 130, 136, 142

See application file for complete search history.

(56) **References Cited**

**U.S. PATENT DOCUMENTS**

D328,556 S \* 8/1992 Fushiya et al. .... D8/69  
D378,654 S \* 4/1997 Matsuoka et al. .... D8/69  
D474,092 S \* 5/2003 Stirn ..... D8/69  
6,971,456 B2 \* 12/2005 Yamada et al. .... 173/217  
D525,849 S \* 8/2006 Hayakawa et al. .... D8/69  
D526,179 S \* 8/2006 Hayakawa et al. .... D8/69  
D527,237 S \* 8/2006 Otsuka et al. .... D8/68  
7,096,972 B2 \* 8/2006 Orozco, Jr. .... 173/114

D527,973 S \* 9/2006 Okuda et al. .... D8/69  
D531,476 S \* 11/2006 Kokawa et al. .... D8/69  
D535,537 S \* 1/2007 Aglassinger ..... D8/69  
D538,619 S \* 3/2007 Okuda ..... D8/69  
D555,451 S \* 11/2007 Okuda et al. .... D8/69  
D558,551 S \* 1/2008 Okuda et al. .... D8/69  
D575,606 S \* 8/2008 Okouchi et al. .... D8/69  
2003/0094294 A1 \* 5/2003 Fritz ..... 173/171  
2004/0251041 A1 \* 12/2004 Grossman ..... 173/217  
2005/0034883 A1 \* 2/2005 Yamada et al. .... 173/217  
2007/0138229 A1 \* 6/2007 Fujimoto ..... 227/8  
2008/0211327 A1 \* 9/2008 Schlegel et al. .... 310/50

**FOREIGN PATENT DOCUMENTS**

JP S-1266221 3/2006

\* cited by examiner

*Primary Examiner*—T. Chase Nelson

(74) *Attorney, Agent, or Firm*—Oliff & Berridge, PLC

(57) **CLAIM**

The ornamental design for a portable electric driver, as shown and described.

**DESCRIPTION**

FIG. 1 is a perspective view of a portable electric driver showing our new design;

FIG. 2 is a front elevation view thereof;

FIG. 3 is a rear elevation view thereof;

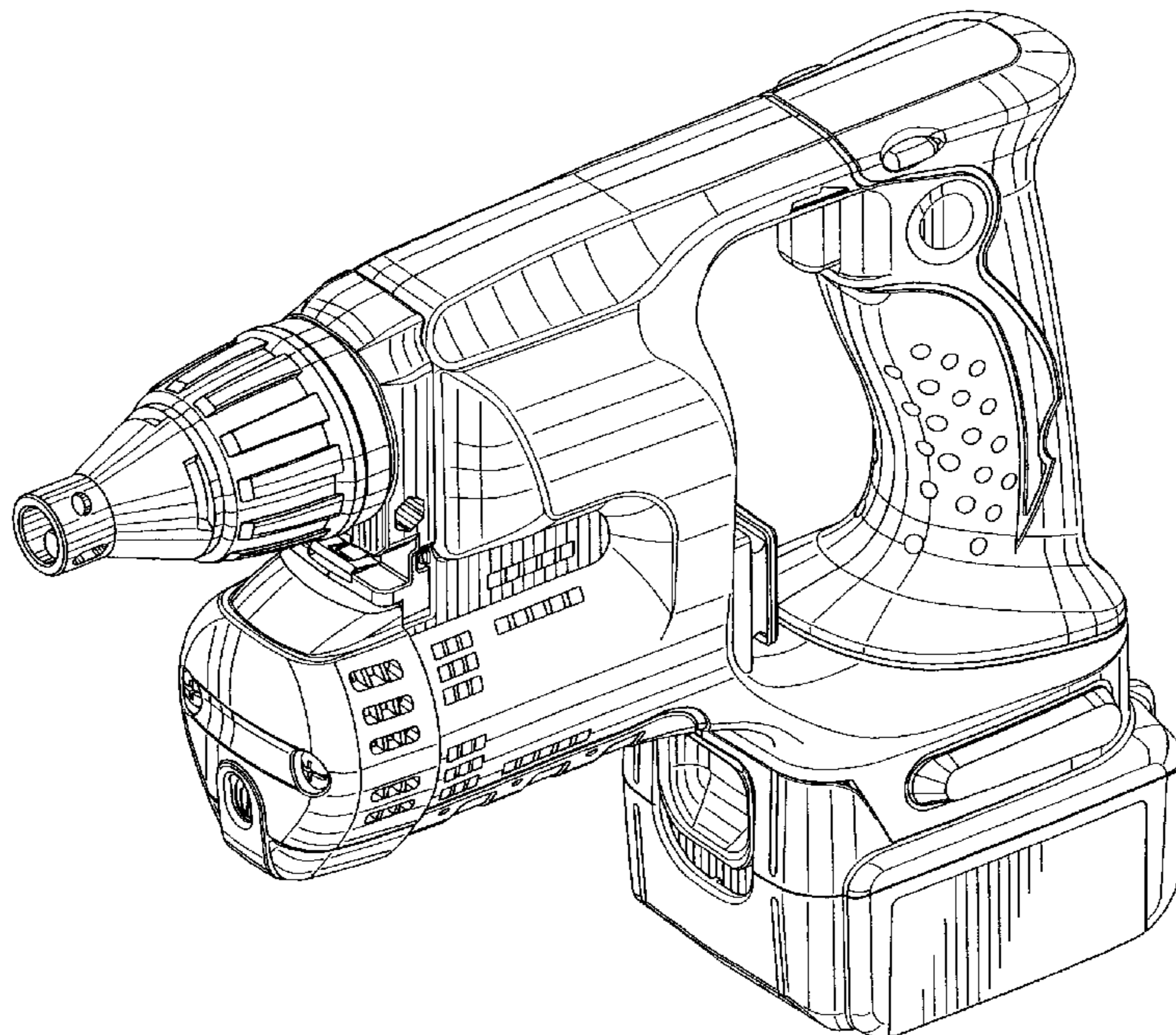
FIG. 4 is a left side elevation view thereof;

FIG. 5 is a right side elevation view thereof;

FIG. 6 is a top plan view thereof; and,

FIG. 7 is a bottom plan view thereof.

**1 Claim, 5 Drawing Sheets**



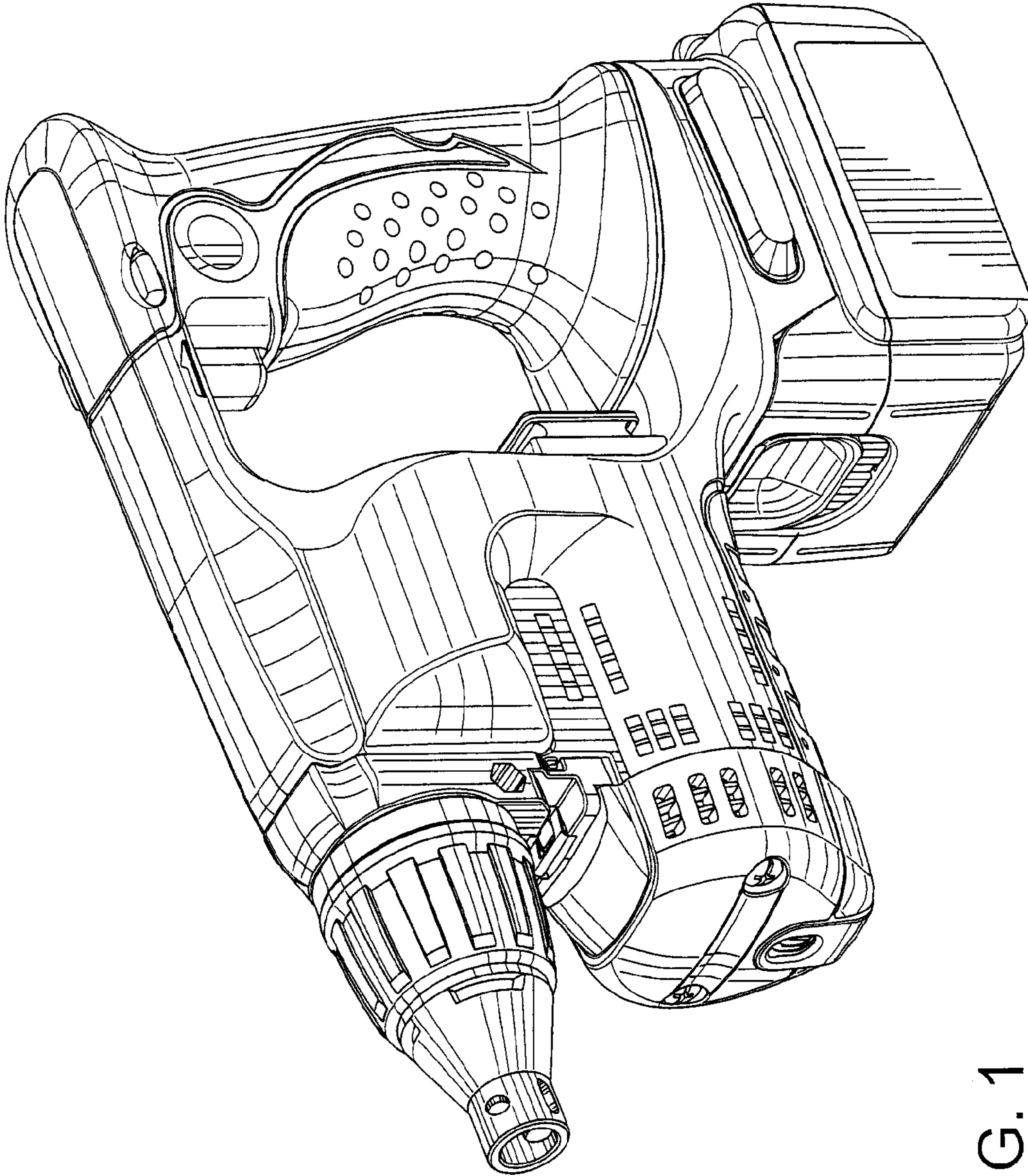


FIG. 1



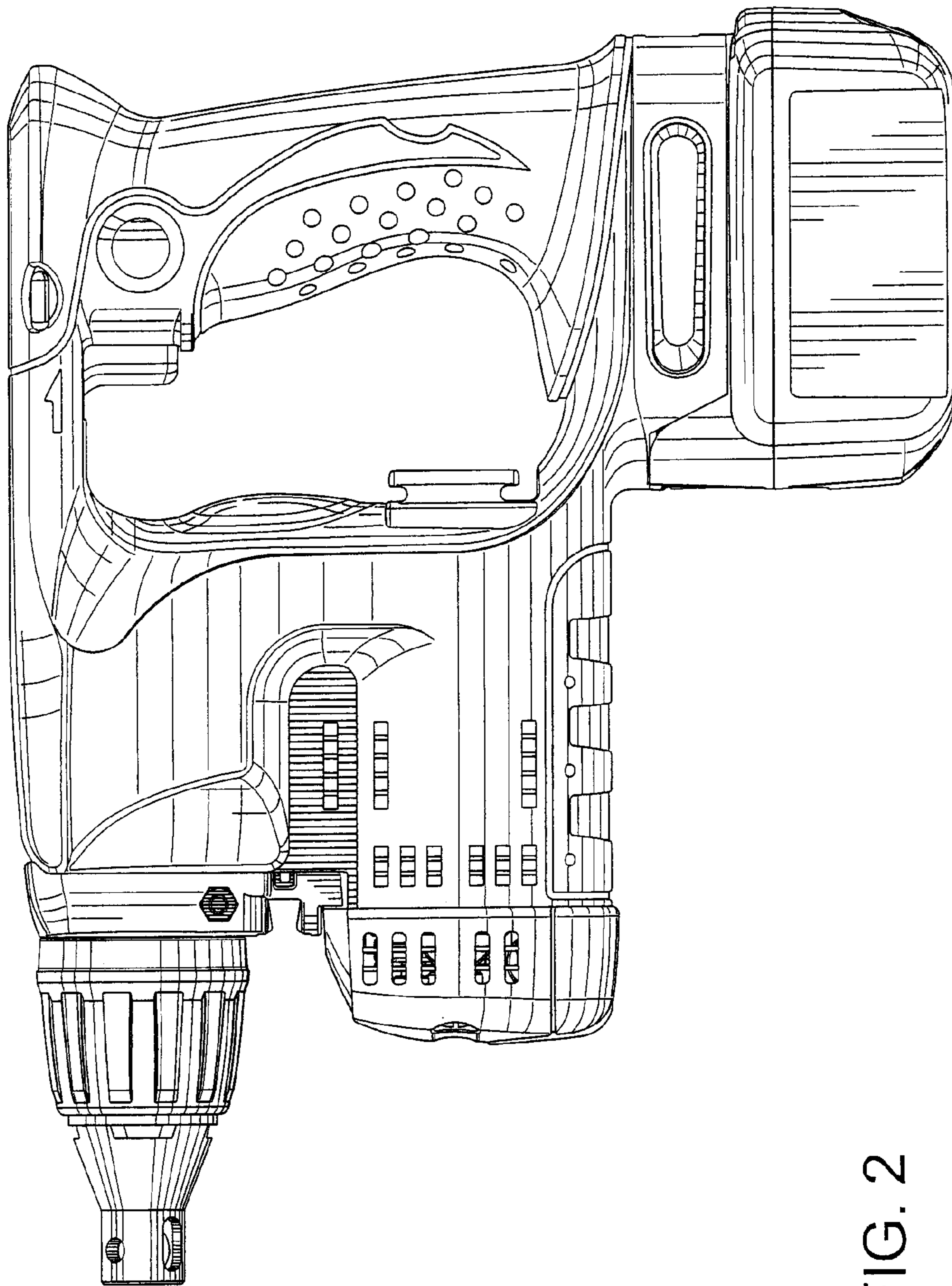


FIG. 2

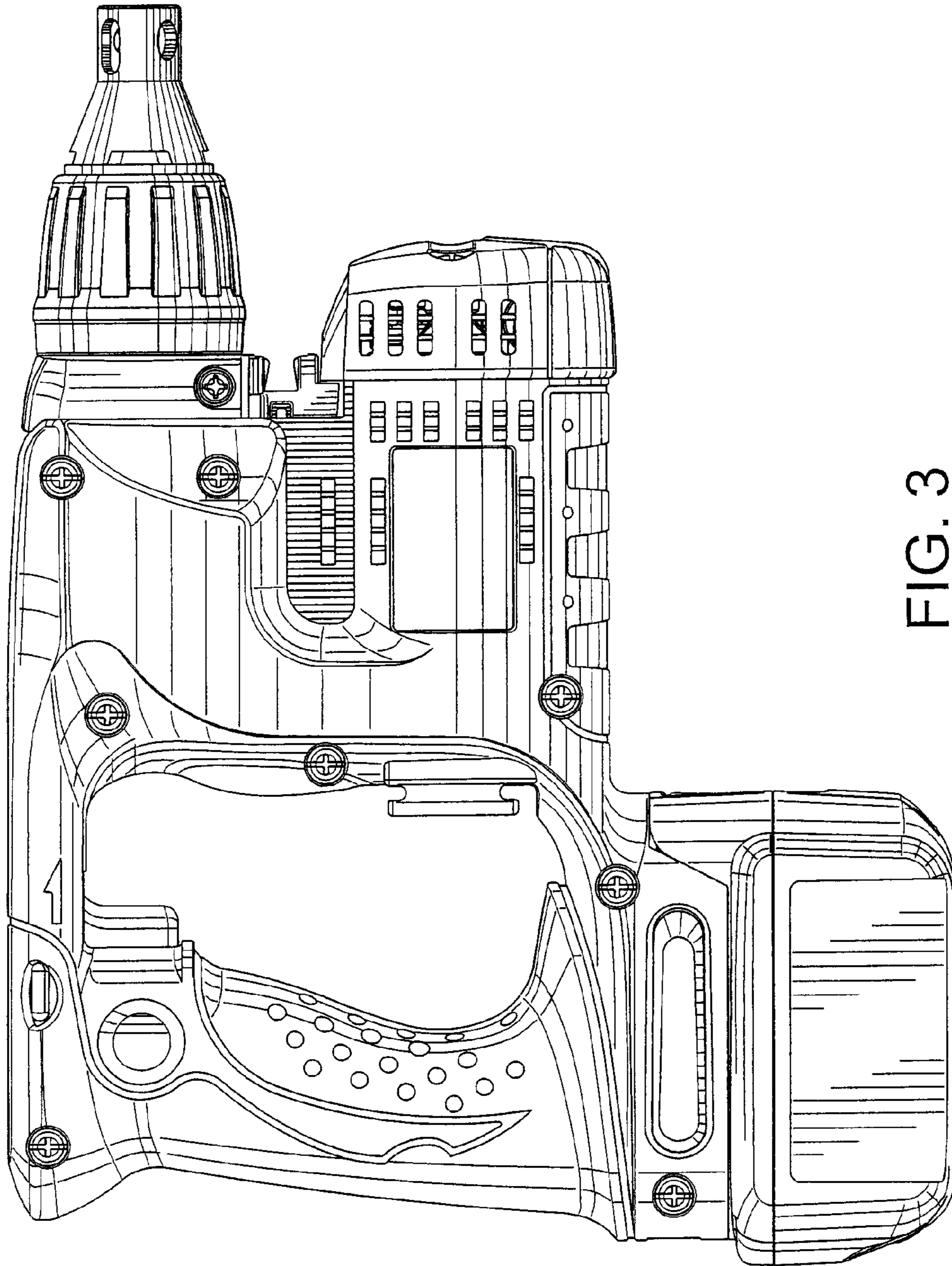


FIG. 3

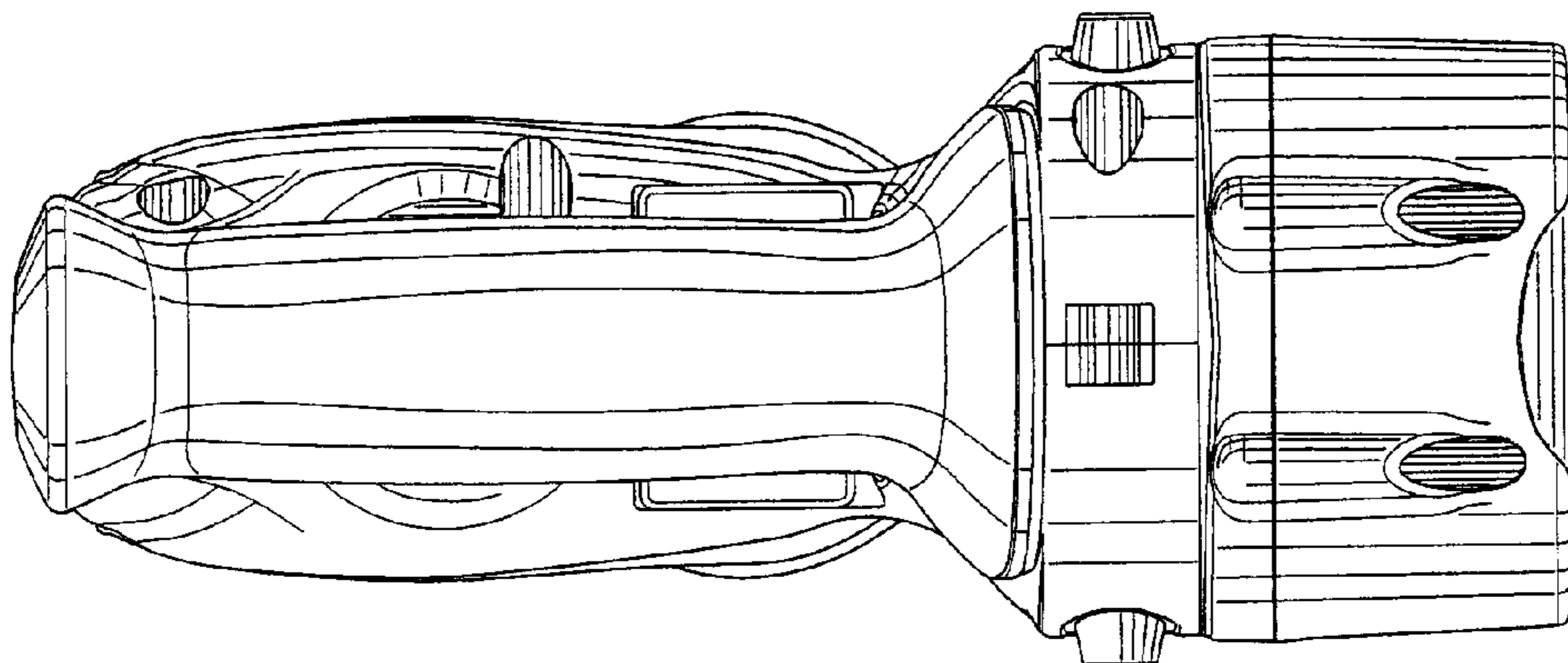


FIG. 5

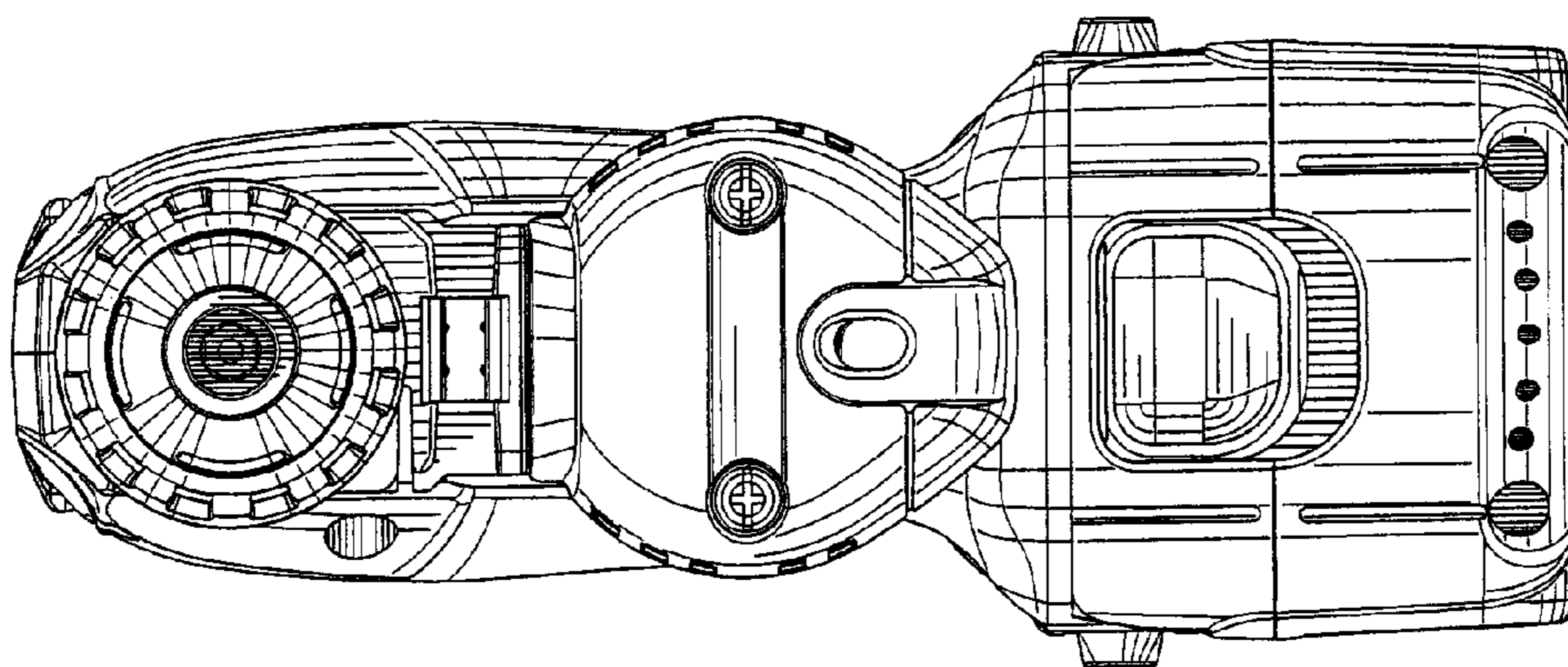


FIG. 4

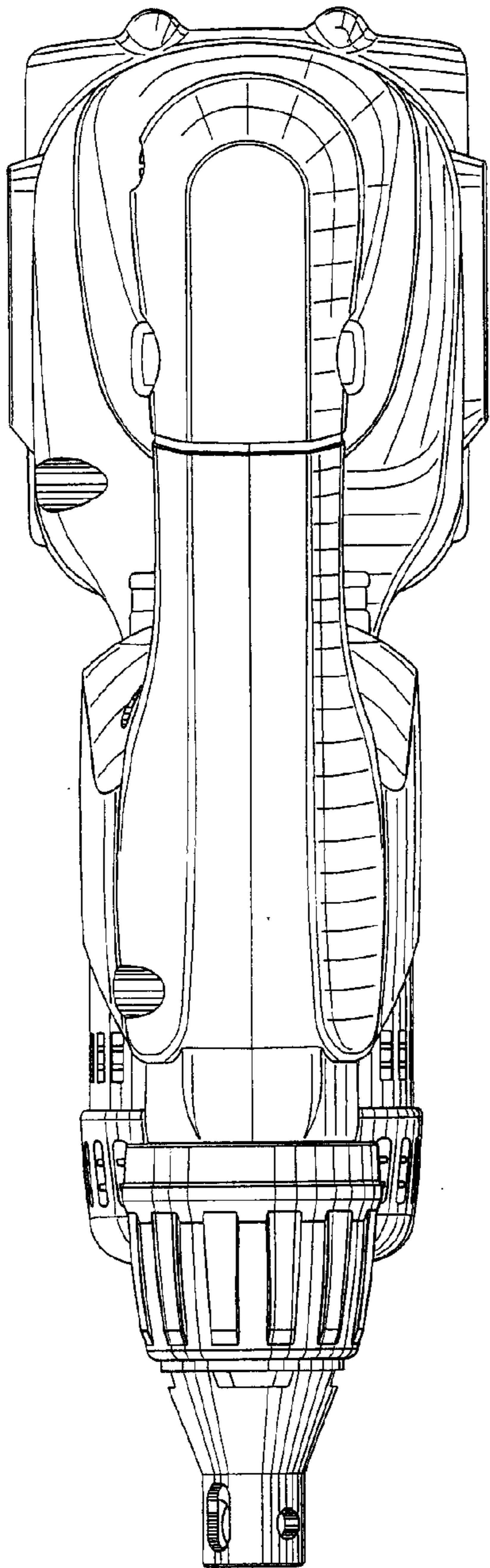


FIG. 6

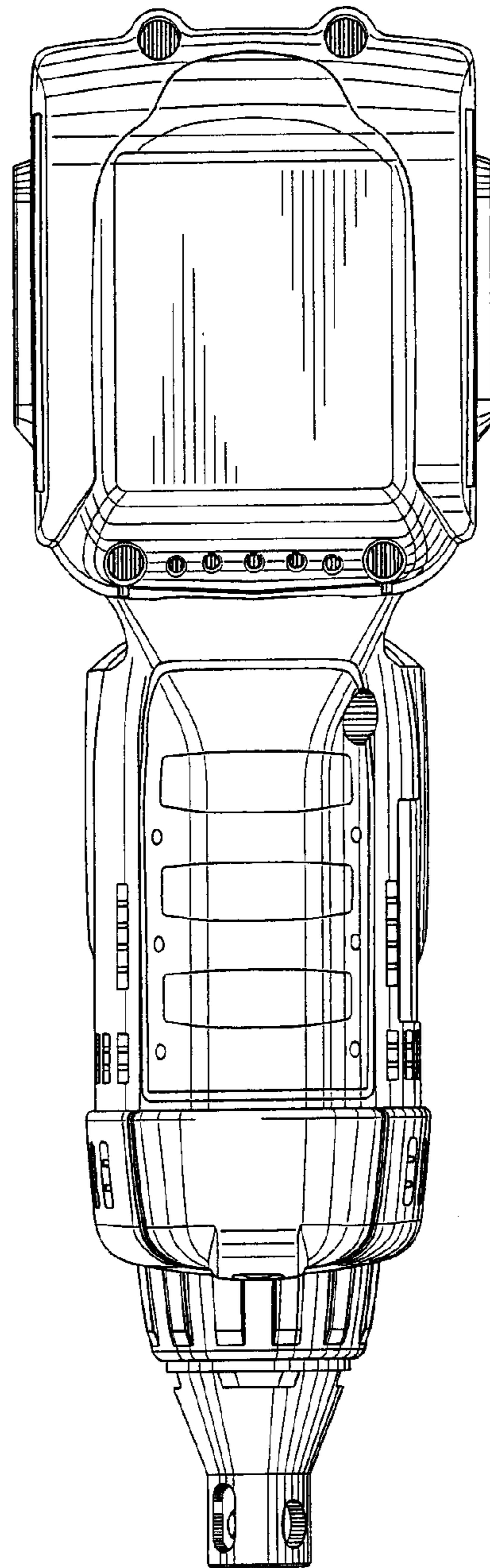


FIG. 7