



US00D586636S

(12) **United States Design Patent**
Aglassinger

(10) **Patent No.:** **US D586,636 S**

(45) **Date of Patent:** **** Feb. 17, 2009**

(54) **HAND-HELD POWER CUTTING TOOL**

(75) Inventor: **Hans-Peter Aglassinger**, Esslingen (DE)

(73) Assignee: **Robert Bosch GmbH**, Stuttgart (DE)

(**) Term: **14 Years**

(21) Appl. No.: **29/296,389**

(22) Filed: **Oct. 19, 2007**

(30) **Foreign Application Priority Data**

Aug. 13, 2007 (EM) 000773437

(51) **LOC (9) Cl.** **08-03**

(52) **U.S. Cl.** **D8/66**

(58) **Field of Classification Search** D8/61-69;
30/92, 394, 393, 392, 377, 376, 371; 74/49,
74/50; 173/216, 217; 83/699.21; 446/145
See application file for complete search history.

(56) **References Cited**

U.S. PATENT DOCUMENTS

D401,827 S * 12/1998 Lui D8/66

D433,907 S * 11/2000 Fuchs et al. D8/64

6,810,970 B1 * 11/2004 Kraenzler et al. 173/217

D499,944 S * 12/2004 Stroby et al. D8/64

D577,556 S * 9/2008 O'Hern D8/64

* cited by examiner

Primary Examiner—Antoine D Davis

(74) *Attorney, Agent, or Firm*—Victor A. Henzi

(57) **CLAIM**

The ornamental design for the hand-held power cutting tool, as shown and described.

DESCRIPTION

FIG. 1 is a front left perspective view of the hand-held power cutting tool;

FIG. 2 is a front elevational view thereof;

FIG. 3 is a left elevational view thereof;

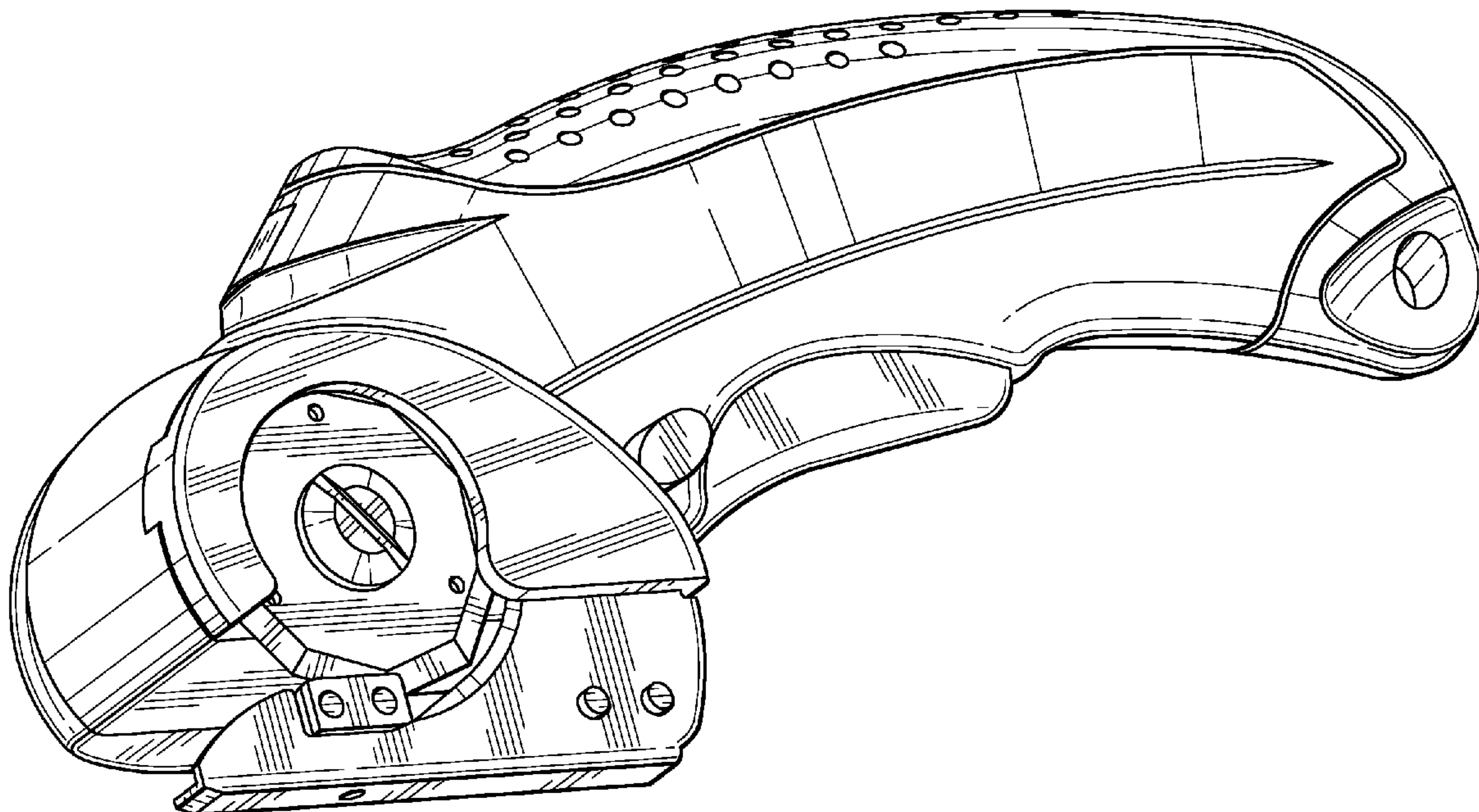
FIG. 4 is a rear elevational view thereof;

FIG. 5 is a right elevational view thereof;

FIG. 6 is a top plan view thereof; and,

FIG. 7 is a bottom plan view thereof.

1 Claim, 7 Drawing Sheets



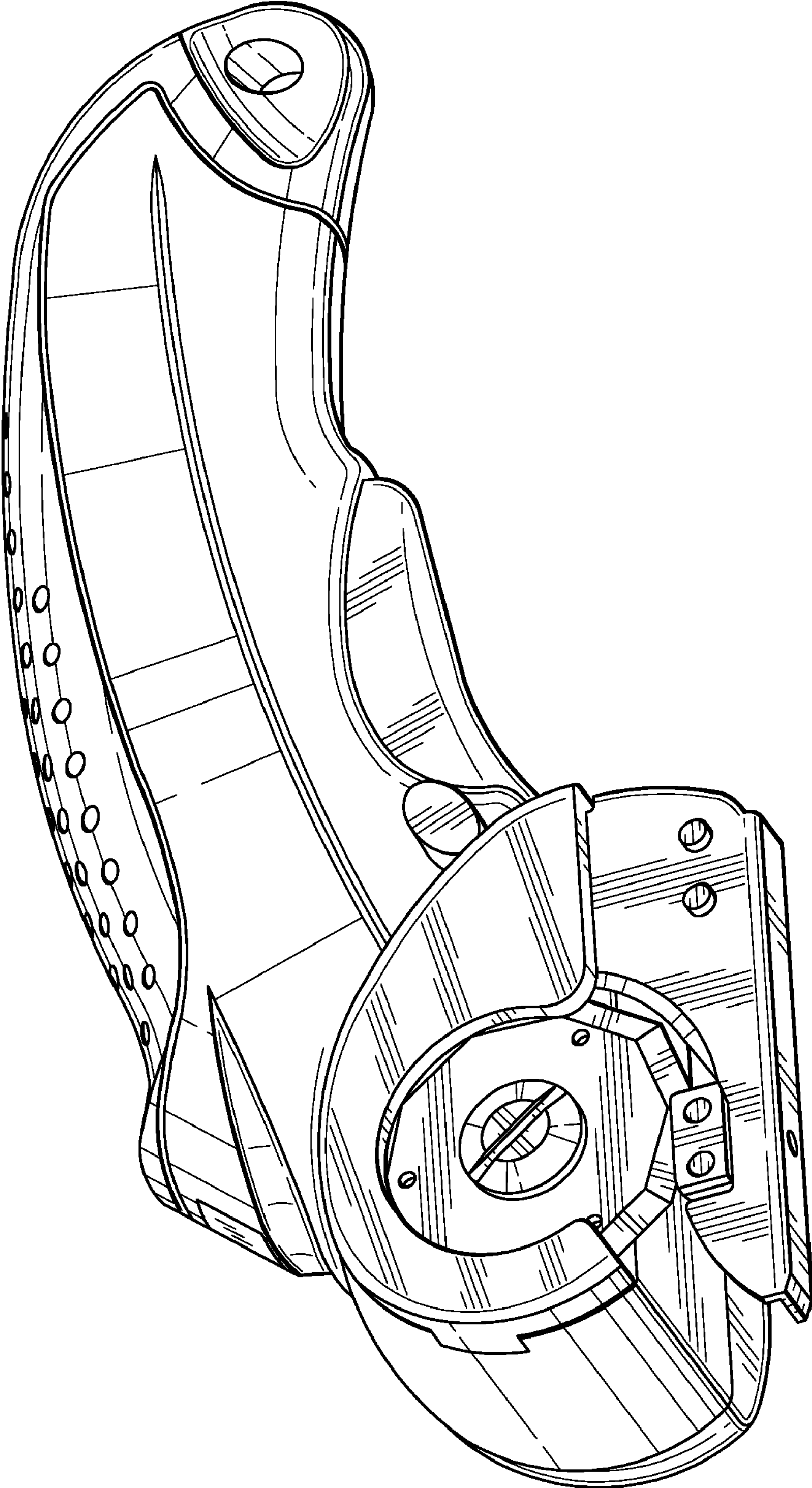


Fig. 1

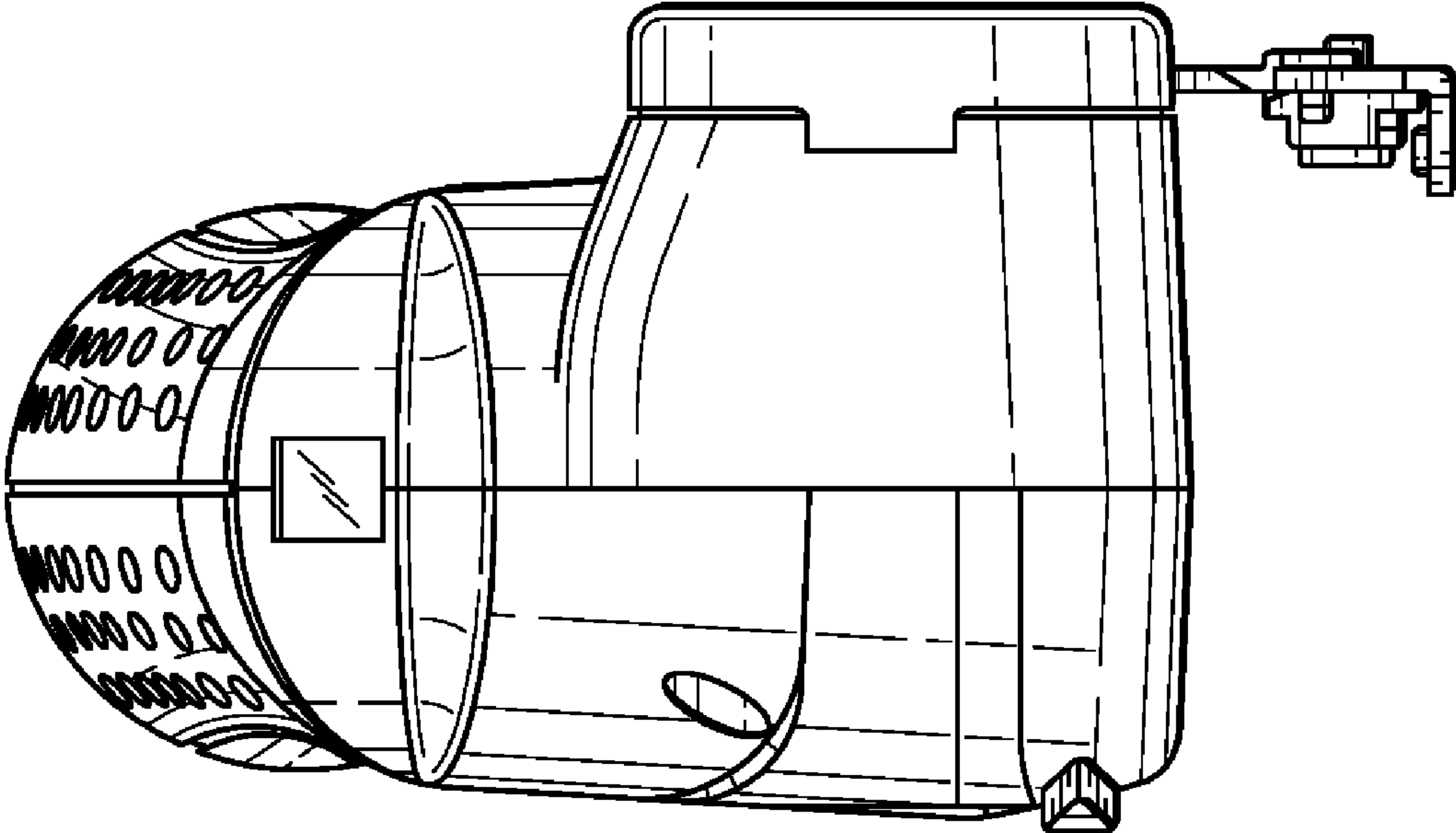


Fig. 2

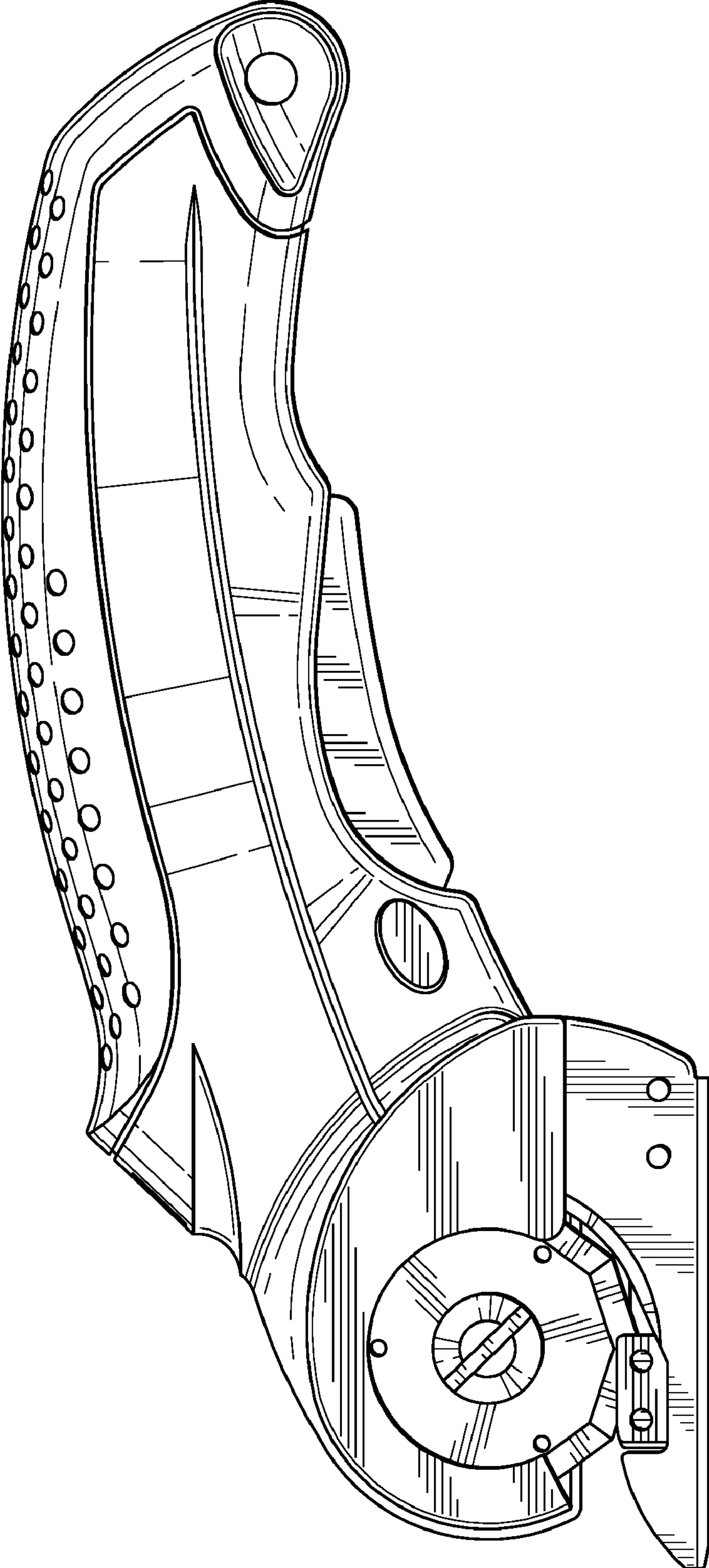


Fig. 3

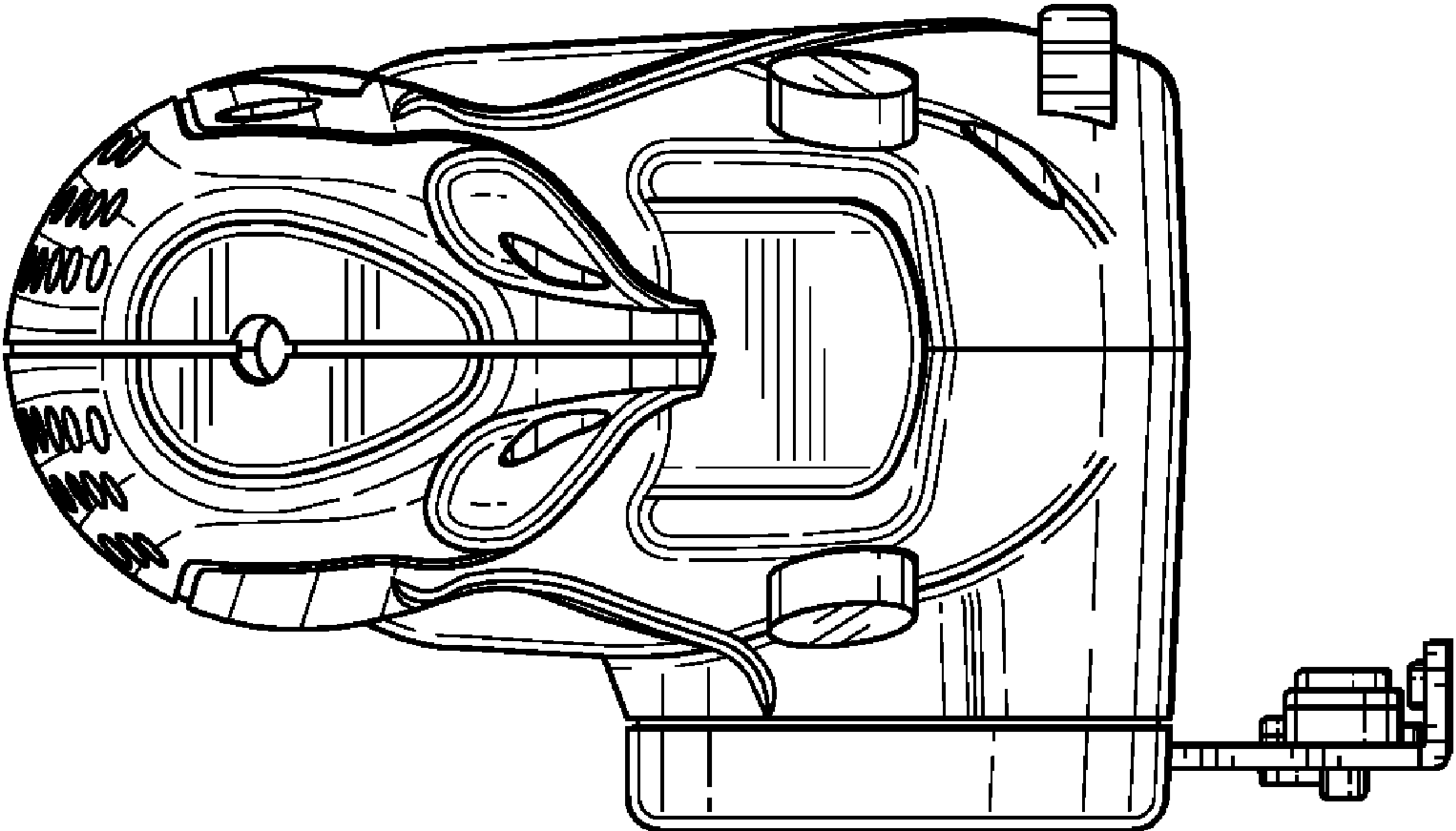


Fig. 4

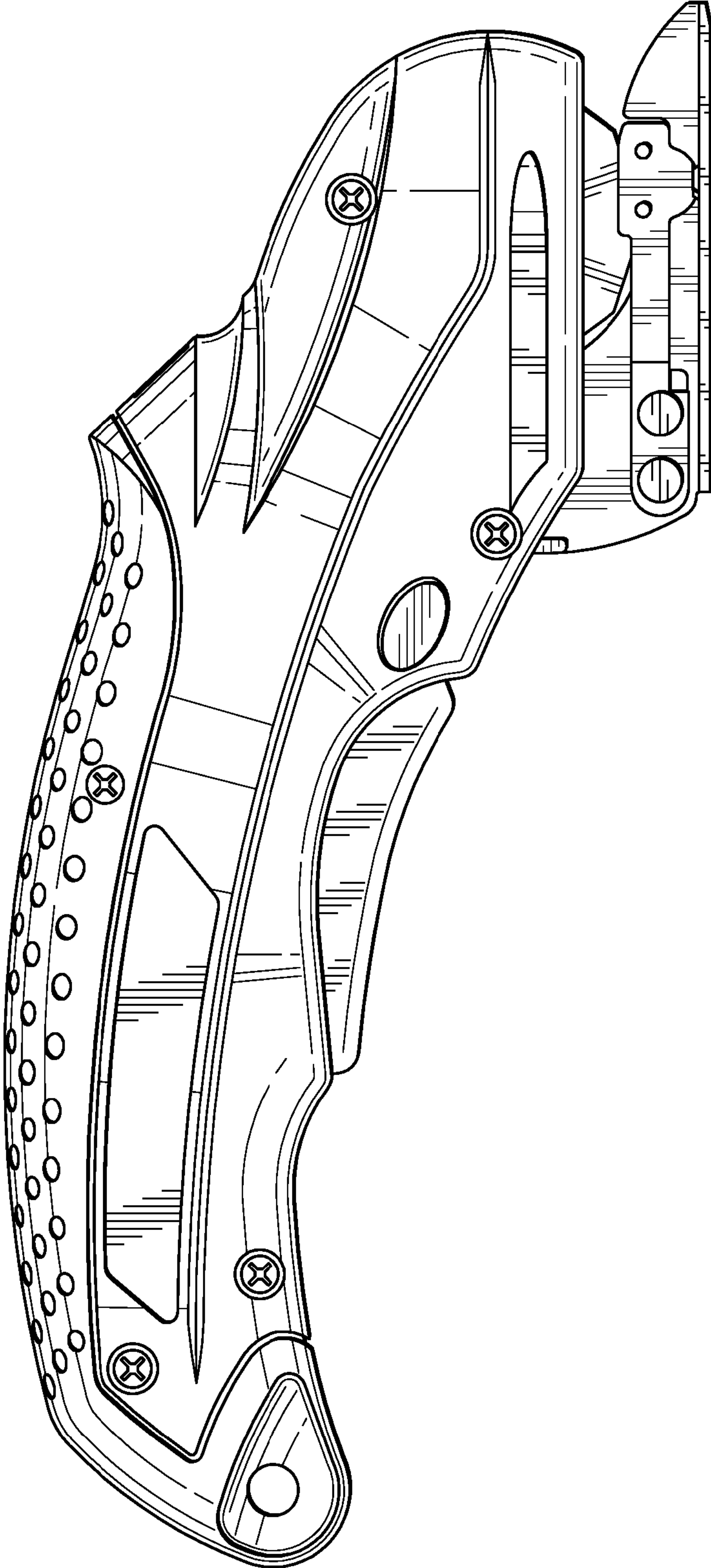


Fig. 5

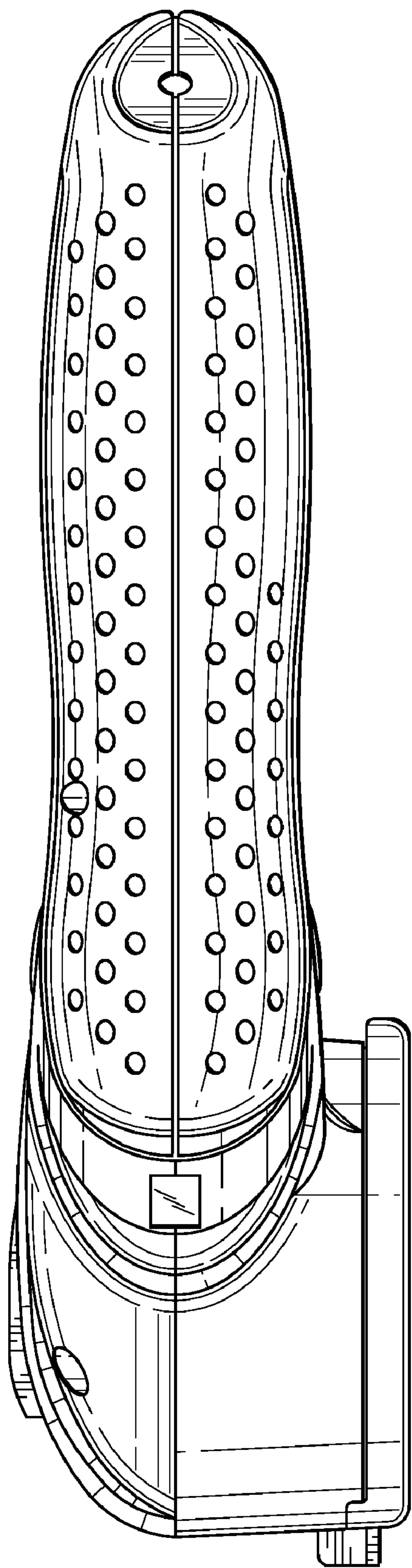


Fig. 6

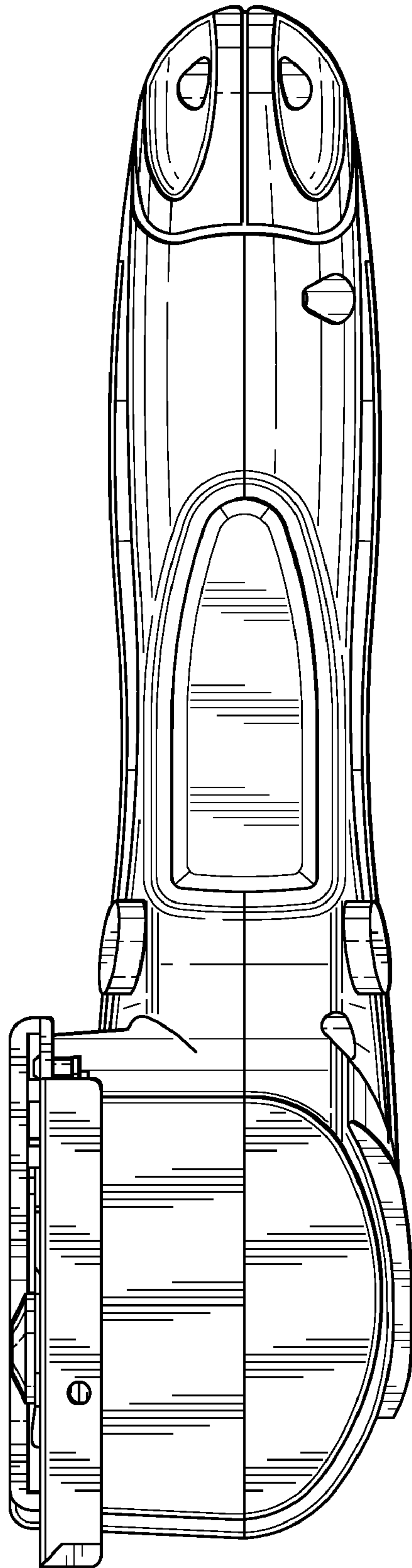


Fig. 7