



US00D586635S

(12) **United States Design Patent**  
**Nakamura et al.**

(10) **Patent No.:** **US D586,635 S**  
(45) **Date of Patent:** **\*\* Feb. 17, 2009**

(54) **STAPLER**

(75) Inventors: **Katsuya Nakamura**, Tokyo (JP);  
**Toshihide Miwa**, Tokyo (JP); **Takeo Hattori**, Tokyo (JP); **Tomohiro Irago**, Tokyo (JP)

(73) Assignee: **Max Co., Ltd.**, Tokyo (JP)

(\*\*) Term: **14 Years**

(21) Appl. No.: **29/300,069**

(22) Filed: **Feb. 19, 2008**

**Related U.S. Application Data**

(62) Division of application No. 29/287,116, filed on Jun. 28, 2007.

(30) **Foreign Application Priority Data**

Feb. 15, 2007 (JP) ..... 2007-003562  
Feb. 15, 2007 (JP) ..... 2007-003563

(51) **LOC (9) Cl.** ..... **19-02**

(52) **U.S. Cl.** ..... **D8/50**

(58) **Field of Classification Search** ..... D8/49,  
D8/50, 61, 68, 69; D19/72, 73, 65, 69; D21/532;  
D24/145; 7/158, 160; 227/4, 5, 6, 7, 8, 120,  
227/127, 128, 131, 132, 134, 144, 156, 175.1;  
606/139, 143, 153, 219

See application file for complete search history.

(56) **References Cited**

**U.S. PATENT DOCUMENTS**

D361,025 S \* 8/1995 Ho ..... D8/50  
D369,729 S 5/1996 Herbst et al.  
D371,495 S 7/1996 Herbst et al.  
D416,774 S 11/1999 Huang

D420,266 S 2/2000 Berry et al.  
D436,010 S 1/2001 Nakamura  
D446,430 S 8/2001 Arns  
D466,774 S 12/2002 Lee  
D478,485 S 8/2003 Huang  
D478,798 S \* 8/2003 Huang ..... D8/50  
D479,678 S 9/2003 Huang  
D502,369 S 3/2005 Nakamura  
D512,615 S 12/2005 Kramer et al.  
D517,883 S 3/2006 Tsai  
D530,999 S 10/2006 Kent et al.  
D531,471 S 11/2006 Kent et al.  
D554,456 S 11/2007 Chang

\* cited by examiner

*Primary Examiner*—Cathron Brooks

*Assistant Examiner*—Austin Murphy

(74) *Attorney, Agent, or Firm*—Jean C. Edwards, Esq.; Akerman Senterfitt

(57) **CLAIM**

The ornamental design for a stapler, as shown and described.

**DESCRIPTION**

FIG. 1 is a perspective view of the front, left and top of a stapler showing our new design;

FIG. 2 is a perspective view of the rear, left and top thereof;

FIG. 3 is a front view thereof;

FIG. 4 is a rear view thereof;

FIG. 5 is a left side view thereof;

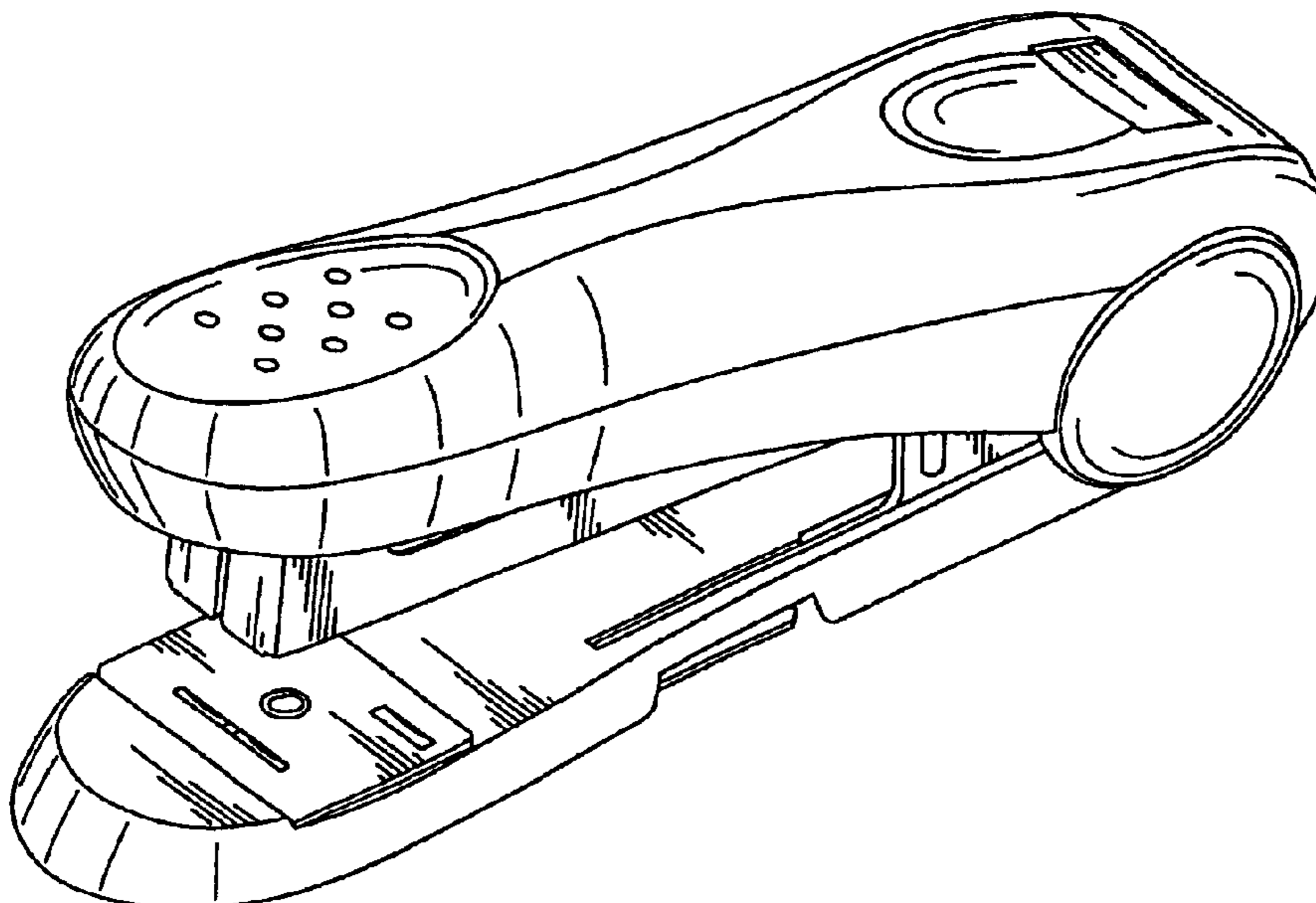
FIG. 6 is a right side view thereof;

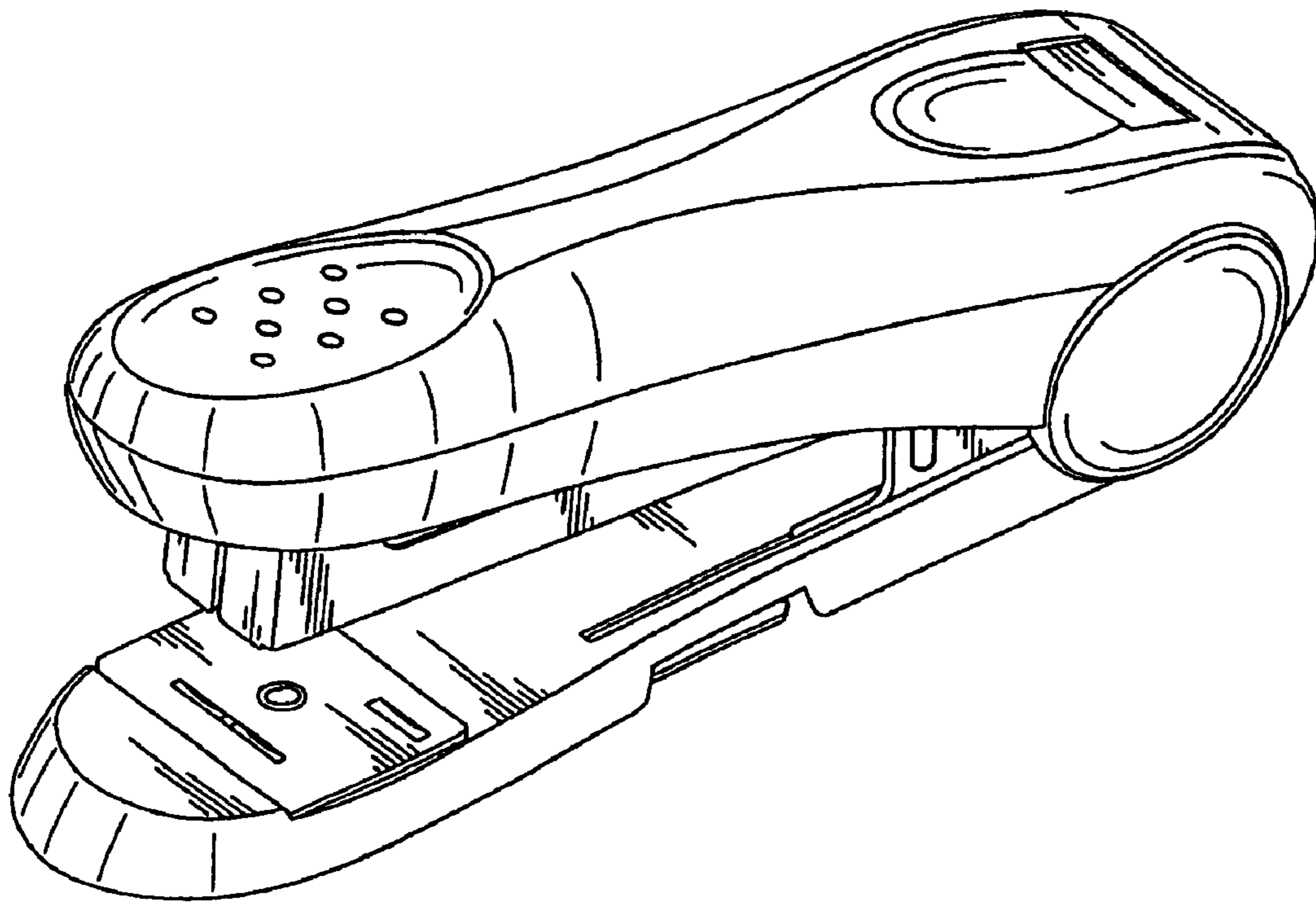
FIG. 7 is a top plan view thereof; and,

FIG. 8 is a bottom view thereof.

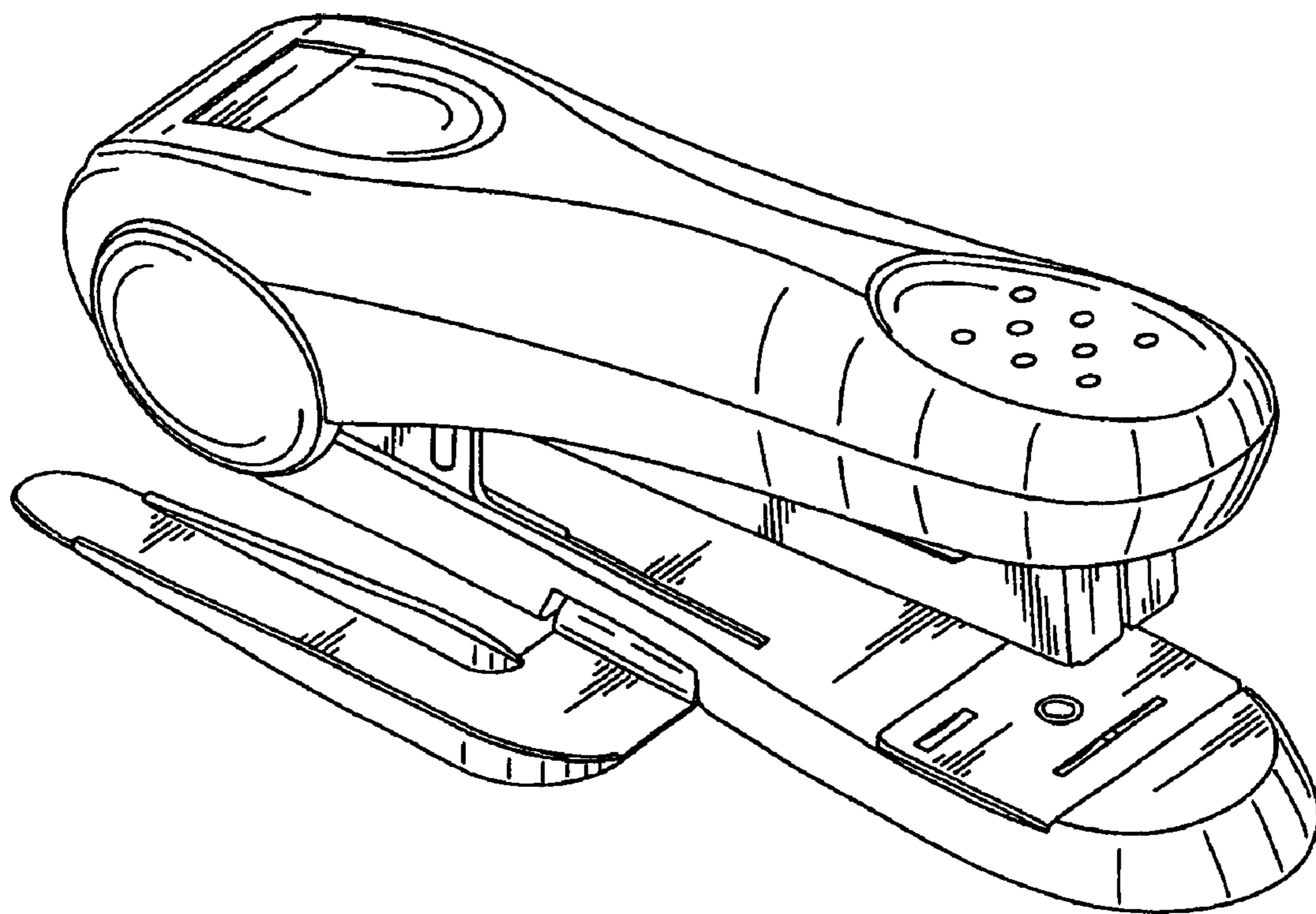
The elements shown in broken lines are for illustrative purposes only and form no part of the claimed design.

**1 Claim, 5 Drawing Sheets**





*FIG. 1*



**FIG. 2**

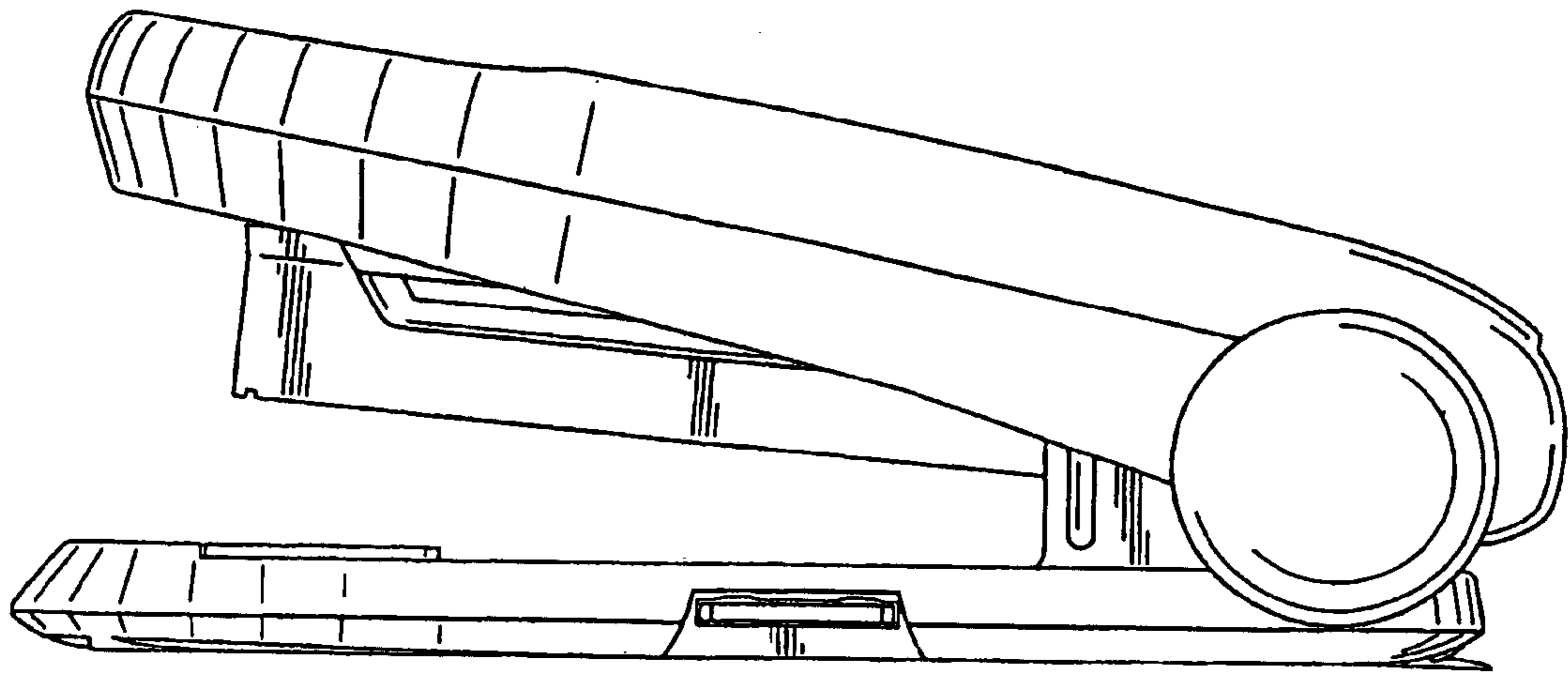


FIG. 3

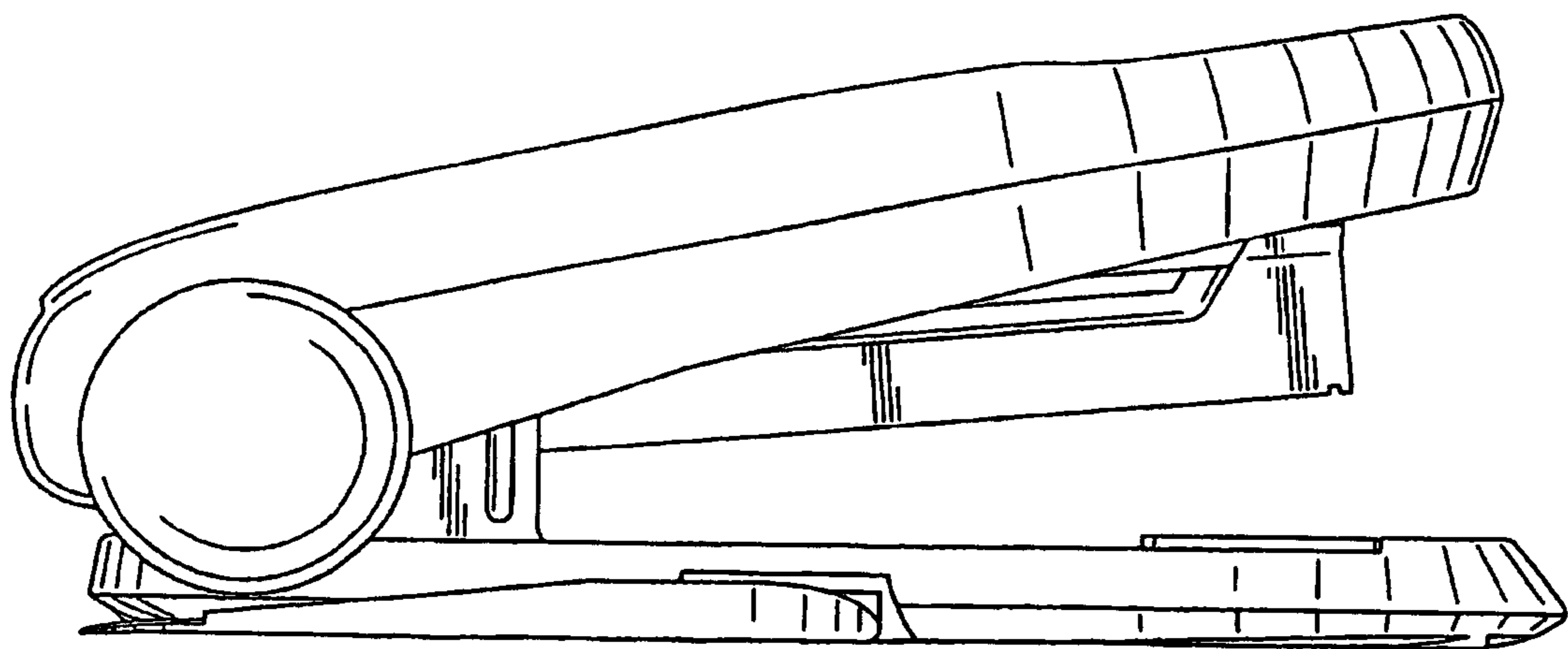
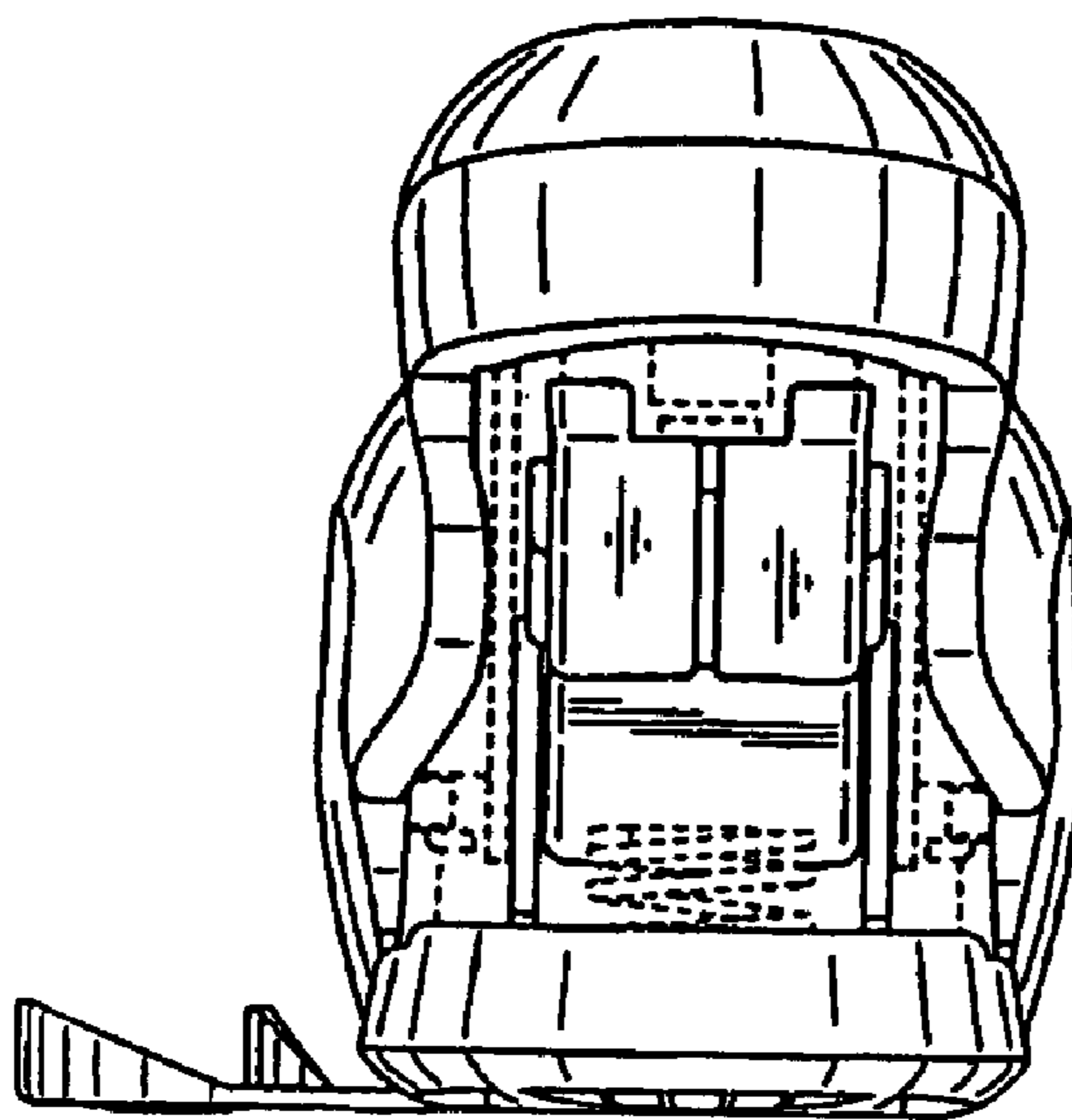
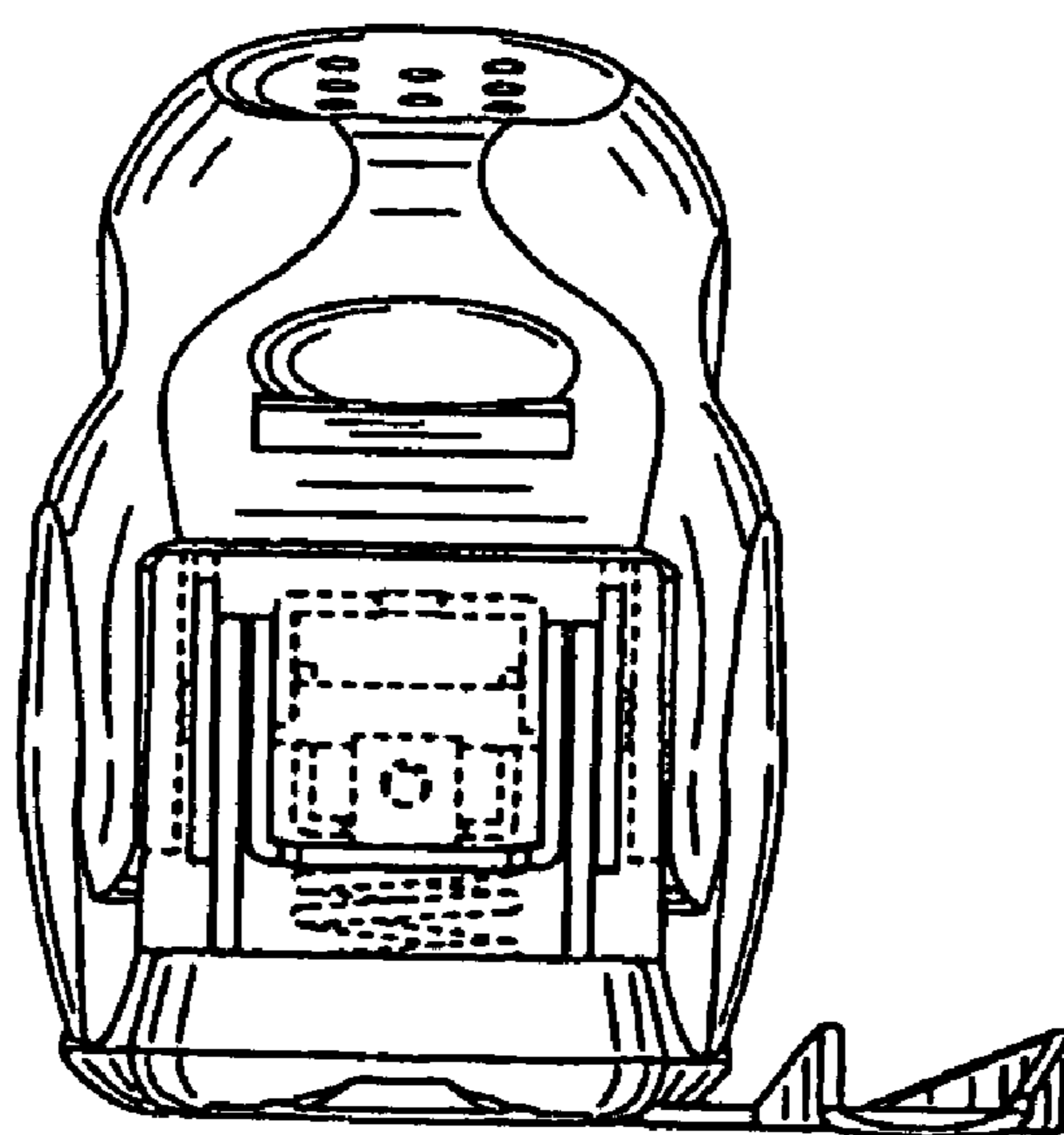


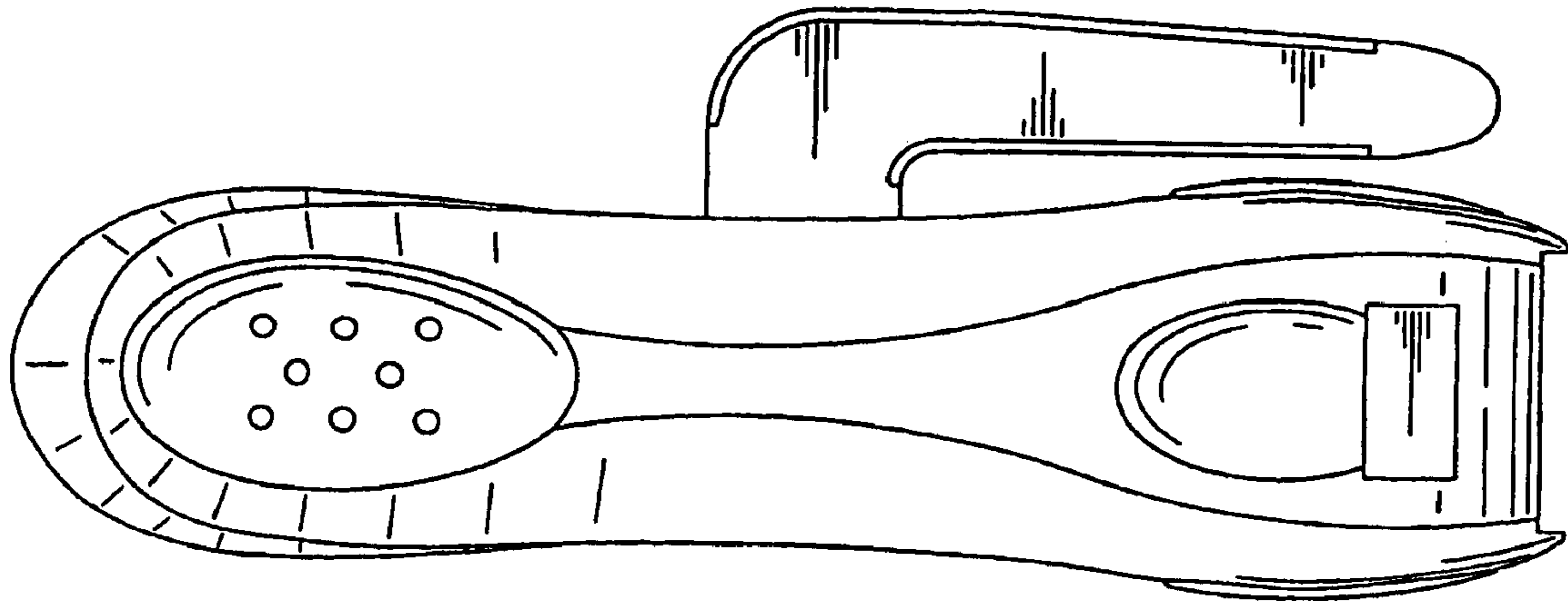
FIG. 4



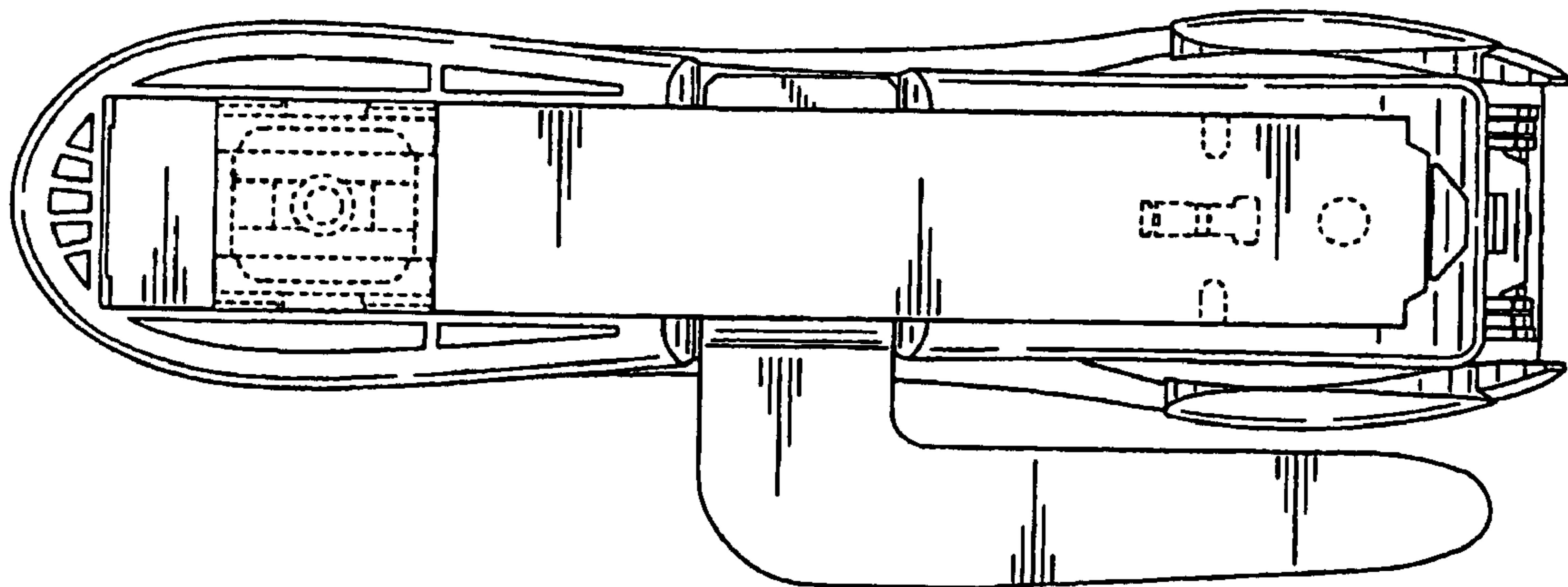
*FIG. 5*



*FIG. 6*



*FIG. 7*



*FIG. 8*