



US00D586634S

(12) **United States Design Patent**
Lai

(10) **Patent No.:** **US D586,634 S**
(45) **Date of Patent:** **** Feb. 17, 2009**

(54) **WRENCH**

(75) Inventor: **Lianz-Tzu Lai**, Taichung (TW)

(73) Assignee: **Jaco International Corporation**,
Taichung (TW)

(**) Term: **14 Years**

(21) Appl. No.: **29/322,031**

(22) Filed: **Jul. 29, 2008**

(51) **LOC (9) Cl.** **08-05**

(52) **U.S. Cl.** **D8/21**

(58) **Field of Classification Search** D8/17,
D8/21-29, 52, 55, 81-87, 102-107, 98, 99,
D8/93, 94; 81/119, 121.1, 86, 124.2, 125,
81/125.1, 176.1, 176.2, 177.1, 177.2, 177.3,
81/177.85, 124.3, 124.7, 176.3, 179, 160,
81/3.57, 3.55, 58.4, 58.3, 300, 58.1, 60-63.2,
81/165-170, 110.1, 124.6, 176.15, 121.7,
81/436, 437, 418, 186, 177.8, 177.9, 185.1,
81/3.4, 177.4, 492, 57, 58, 13, 177.7; 81/490,
81/415-423, 427.5; 140/119; 16/422, 186,
16/429

See application file for complete search history.

(56) **References Cited**

U.S. PATENT DOCUMENTS

D339,048 S * 9/1993 Baum D8/107

D394,794 S * 6/1998 Vasudeva D8/107
D422,145 S * 4/2000 Hsu D4/116
6,151,998 A * 11/2000 Fu-Hui 81/177.4
6,347,450 B1 * 2/2002 Langlois et al. 29/748
D454,045 S * 3/2002 Rinner et al. D8/107
6,378,701 B1 * 4/2002 Kuo 206/378
D470,733 S * 2/2003 Schmitt, Jr. D8/21
D482,588 S * 11/2003 Lai D8/25
D555,445 S * 11/2007 Strahorn D8/21
2003/0188605 A1 * 10/2003 Chang 81/60

* cited by examiner

Primary Examiner—Raphael Barkai

Assistant Examiner—Randall H Gholson

(57) **CLAIM**

The ornamental design for a wrench, as shown.

DESCRIPTION

FIG. 1 is a perspective view of a wrench showing my new design;

FIG. 2 is a front end view thereof;

FIG. 3 is a rear end view thereof;

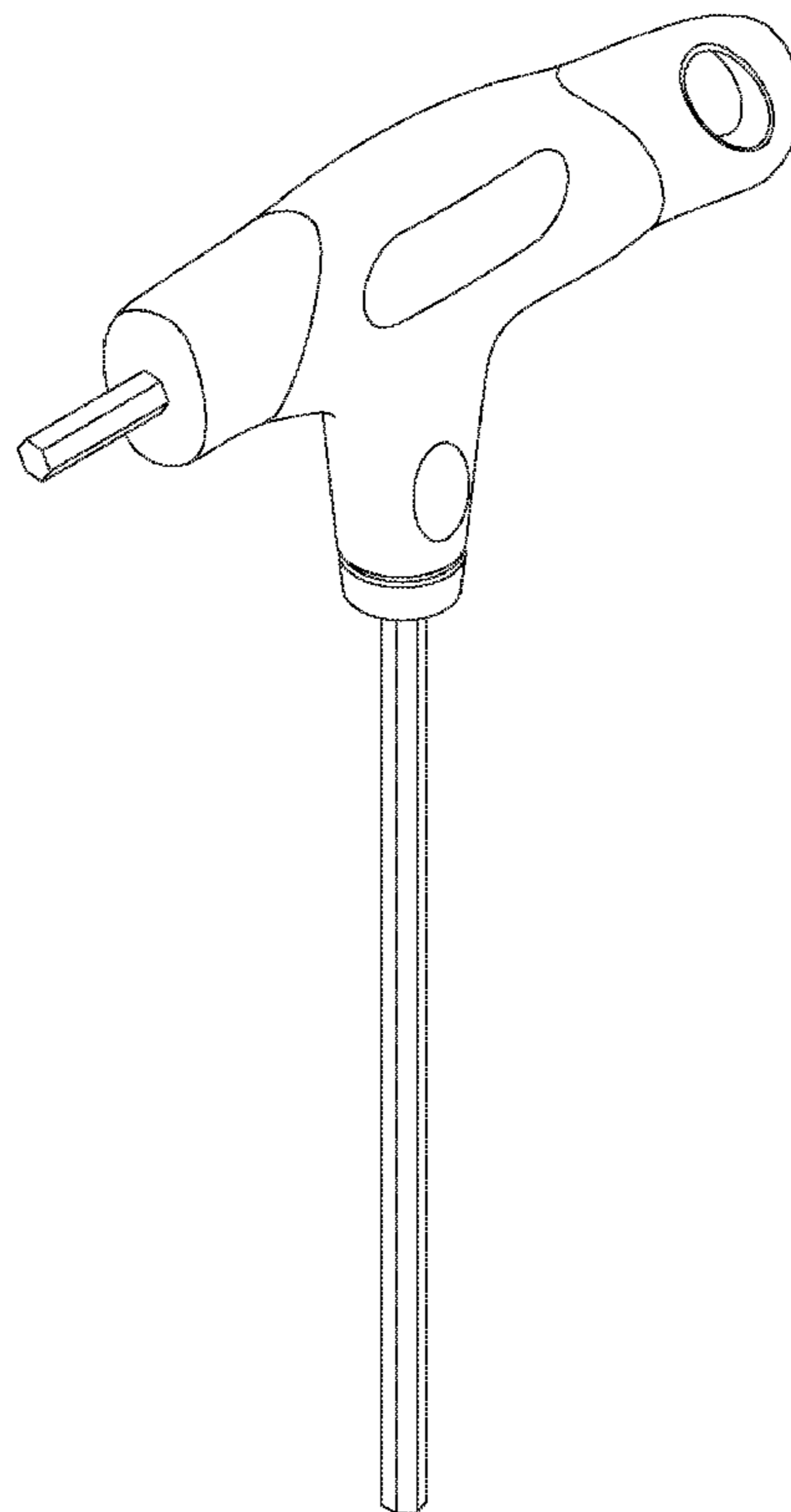
FIG. 4 is a left side view thereof;

FIG. 5 is a right side view thereof;

FIG. 6 is a top plan view thereof; and,

FIG. 7 is a bottom plan view thereof.

1 Claim, 5 Drawing Sheets



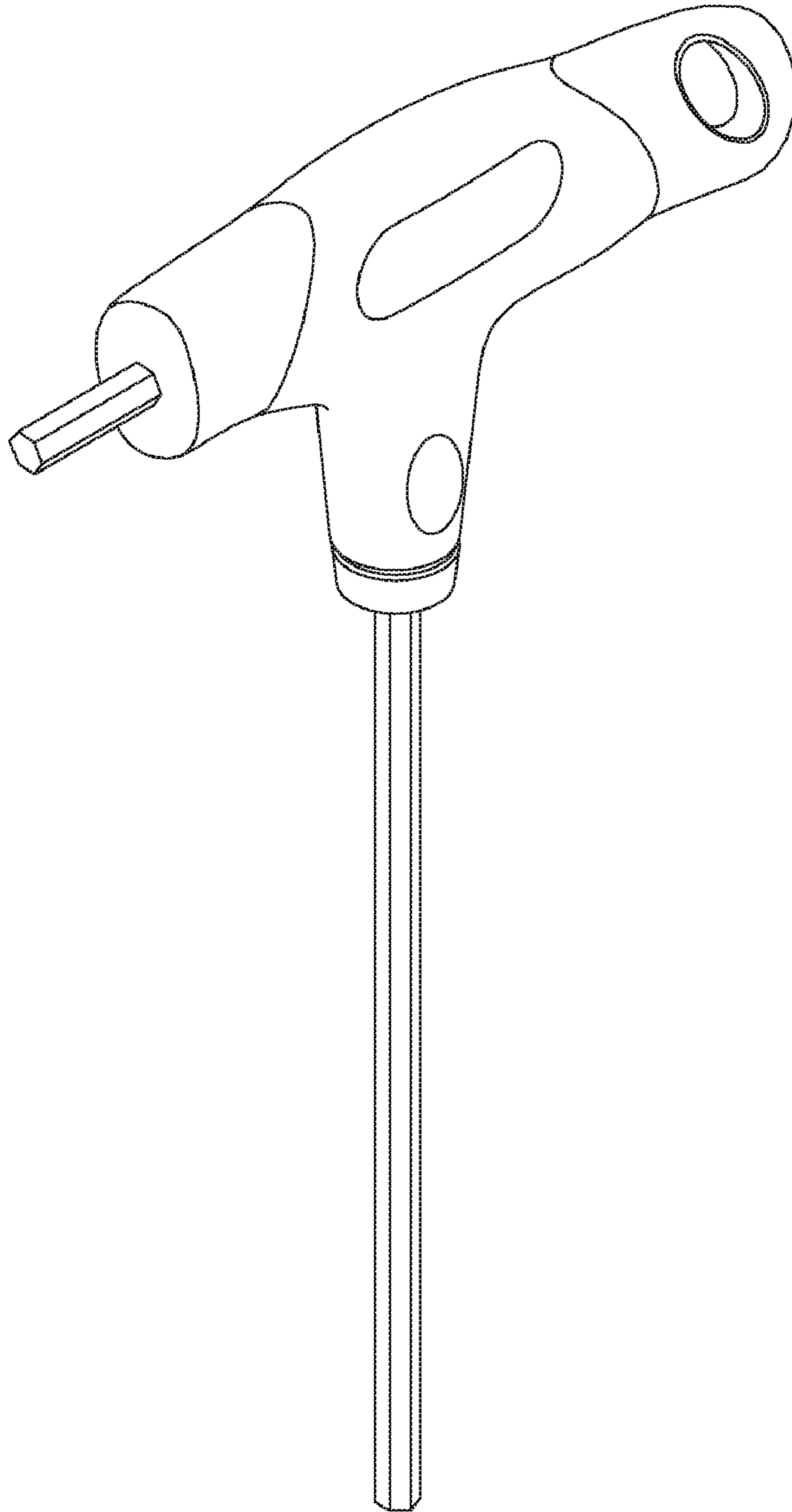


FIG. 1

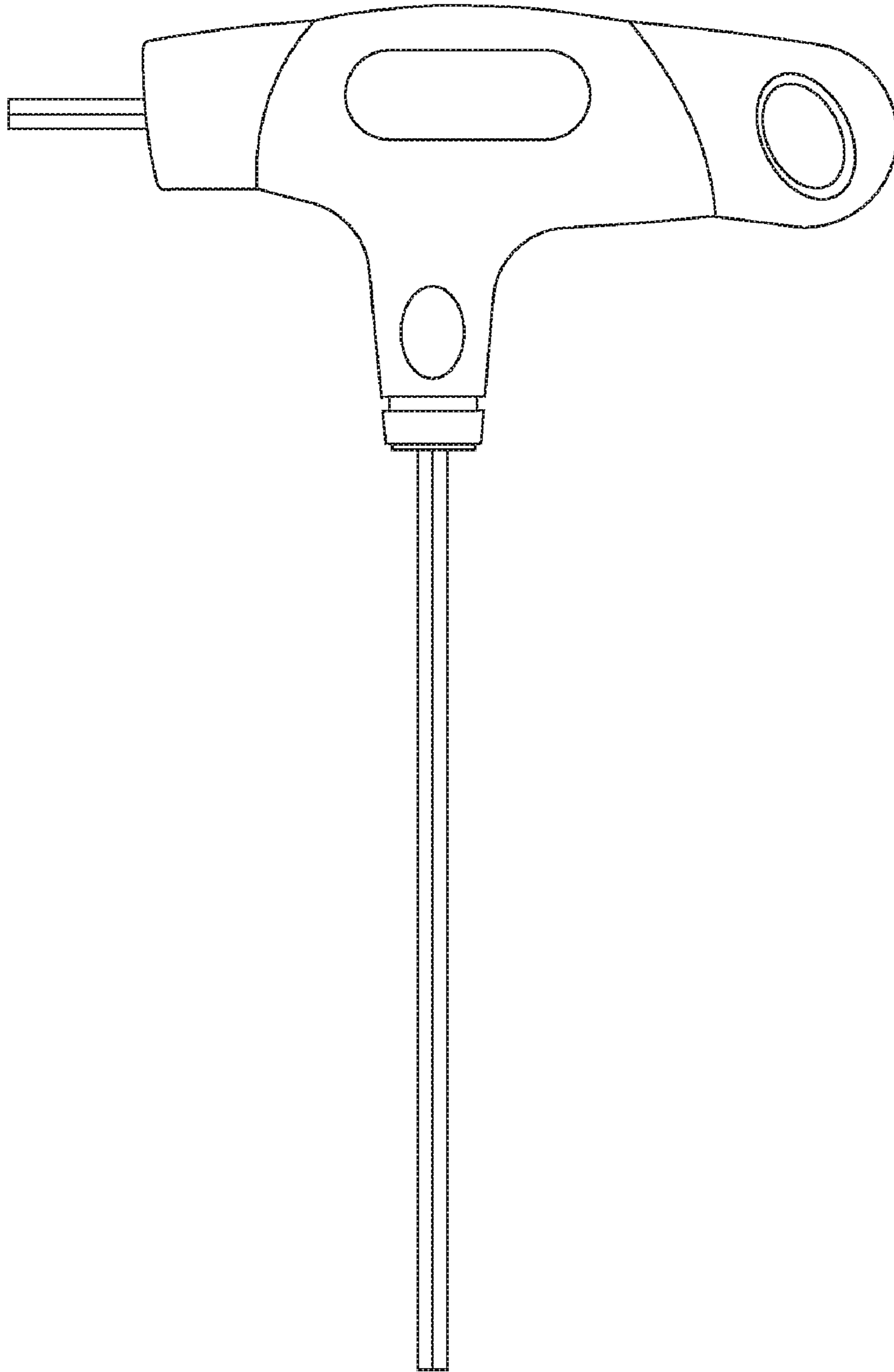


FIG. 2

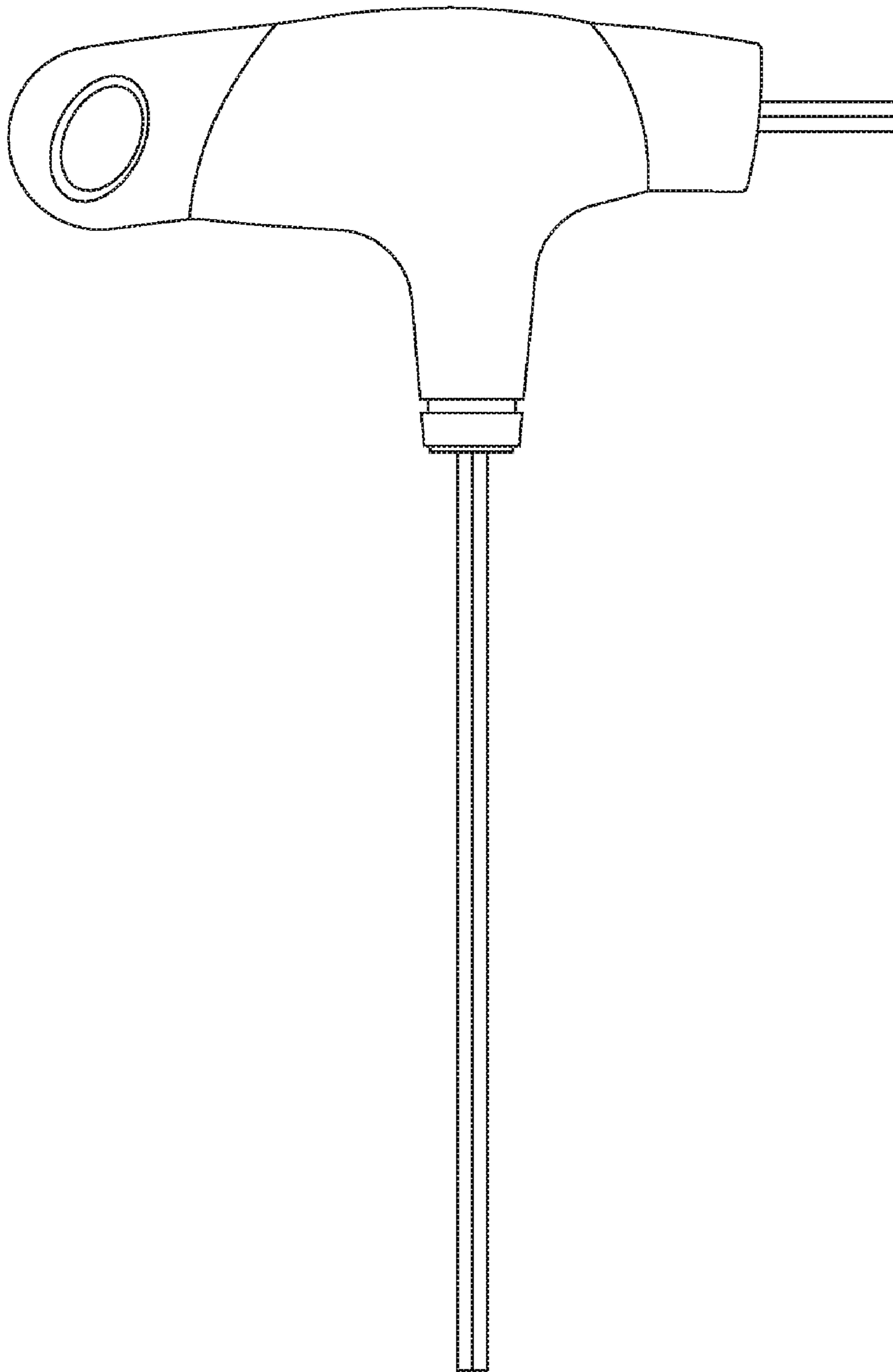


FIG. 3

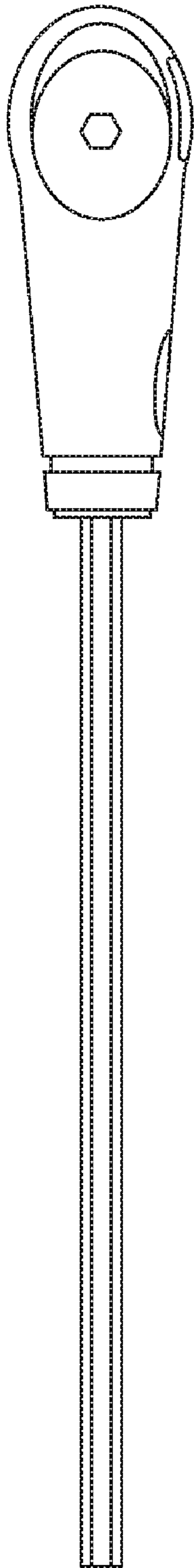


FIG. 4

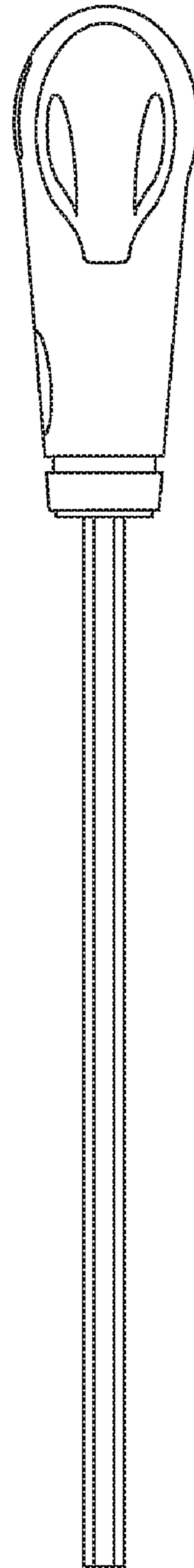


FIG. 5

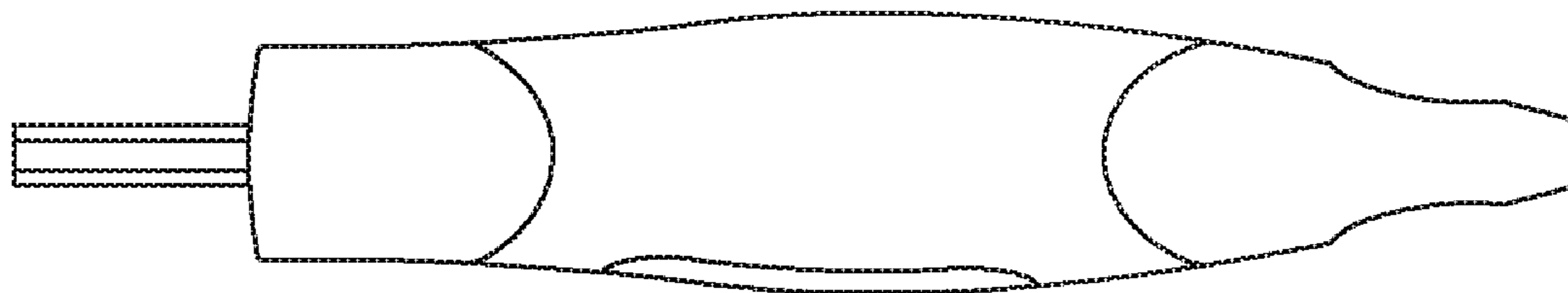


FIG. 6

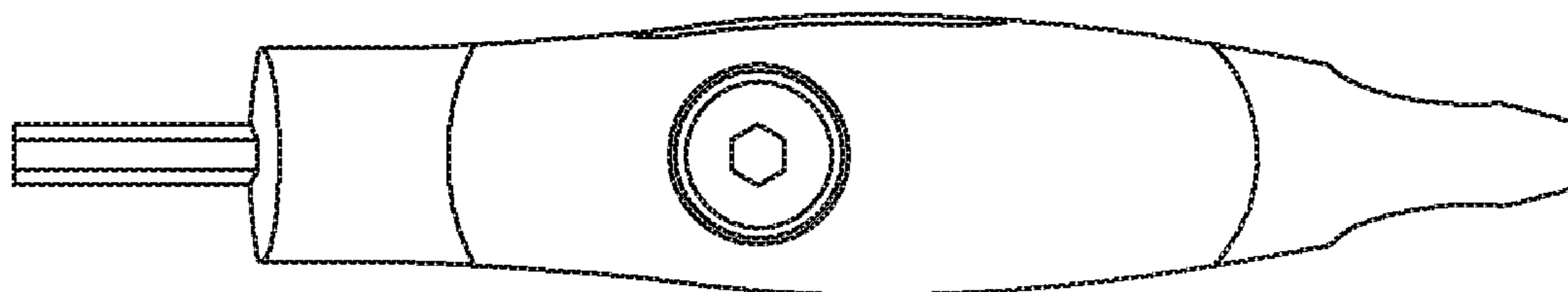


FIG. 7