



US00D586628S

(12) **United States Design Patent**  
**Bever**

(10) **Patent No.:** **US D586,628 S**

(45) **Date of Patent:** **\*\* Feb. 17, 2009**

(54) **STRAWBERRY QUARTERING TOOL**

(76) Inventor: **Shannon Bevers**, 1600 Filmore St.,  
#307, Denver, CO (US) 80206

(\*\*) Term: **14 Years**

(21) Appl. No.: **29/321,105**

(22) Filed: **Jul. 10, 2008**

(51) **LOC (9) Cl.** ..... **07-04**

(52) **U.S. Cl.** ..... **D7/672**

(58) **Field of Classification Search** ..... D7/381–385,  
D7/393, 395, 649, 672–673, 693; D9/443,  
D9/447; 30/30–303, 316; 99/544, 554; 241/168;  
425/278, 281, 292, 318

See application file for complete search history.

(56) **References Cited**

**U.S. PATENT DOCUMENTS**

18,647	A *	11/1857	Peckham	.....	425/281
126,426	A *	5/1872	Thurston et al.	.....	30/302
176,217	A *	4/1876	Collins	.....	30/301
452,789	A *	5/1891	Hutchinson	.....	30/303
606,511	A *	6/1898	Buckles	.....	30/316
634,892	A *	10/1899	Jenks	.....	30/316
D33,328	S *	10/1900	Kent	.....	D7/696
726,707	A *	4/1903	Lavendar	.....	30/302
749,873	A *	1/1904	Meher	.....	30/303
935,576	A *	9/1909	Bates	.....	30/301
1,069,509	A *	8/1913	Winn	.....	425/292
1,581,310	A *	4/1926	Fetschan	.....	30/303
1,744,422	A *	1/1930	Taylor	.....	30/302
D86,272	S *	2/1932	Roselle	.....	D9/447

2,008,331	A *	7/1935	Meisner	.....	30/316
D130,446	S *	11/1941	Rosenbloom	.....	D7/696
D131,301	S *	2/1942	Jacobsen	.....	D7/673
D154,378	S *	7/1949	Fuller	.....	D9/443
2,584,536	A *	2/1952	Belt	.....	425/318
2,629,168	A	2/1953	Shpentuk		
2,631,331	A *	3/1953	Babbit	.....	425/318
2,680,907	A	6/1954	Palosaari		
D235,303	S *	6/1975	Boucher	.....	D7/672
4,245,973	A *	1/1981	Greaney	.....	425/276
D260,841	S *	9/1981	Gilmore	.....	D7/673
D479,800	S *	9/2003	McRae	.....	D9/443
7,159,810	B1 *	1/2007	Miller	.....	241/168
2004/0211069	A1 *	10/2004	Tuttle	.....	30/302

\* cited by examiner

*Primary Examiner*—Caron Veynar

*Assistant Examiner*—Ricky Pham

(57) **CLAIM**

The ornamental design for a strawberry quartering tool, as shown and described.

**DESCRIPTION**

FIG. 1 is a front elevational view of a strawberry quartering tool showing my new design with blade guard removed for clarity;

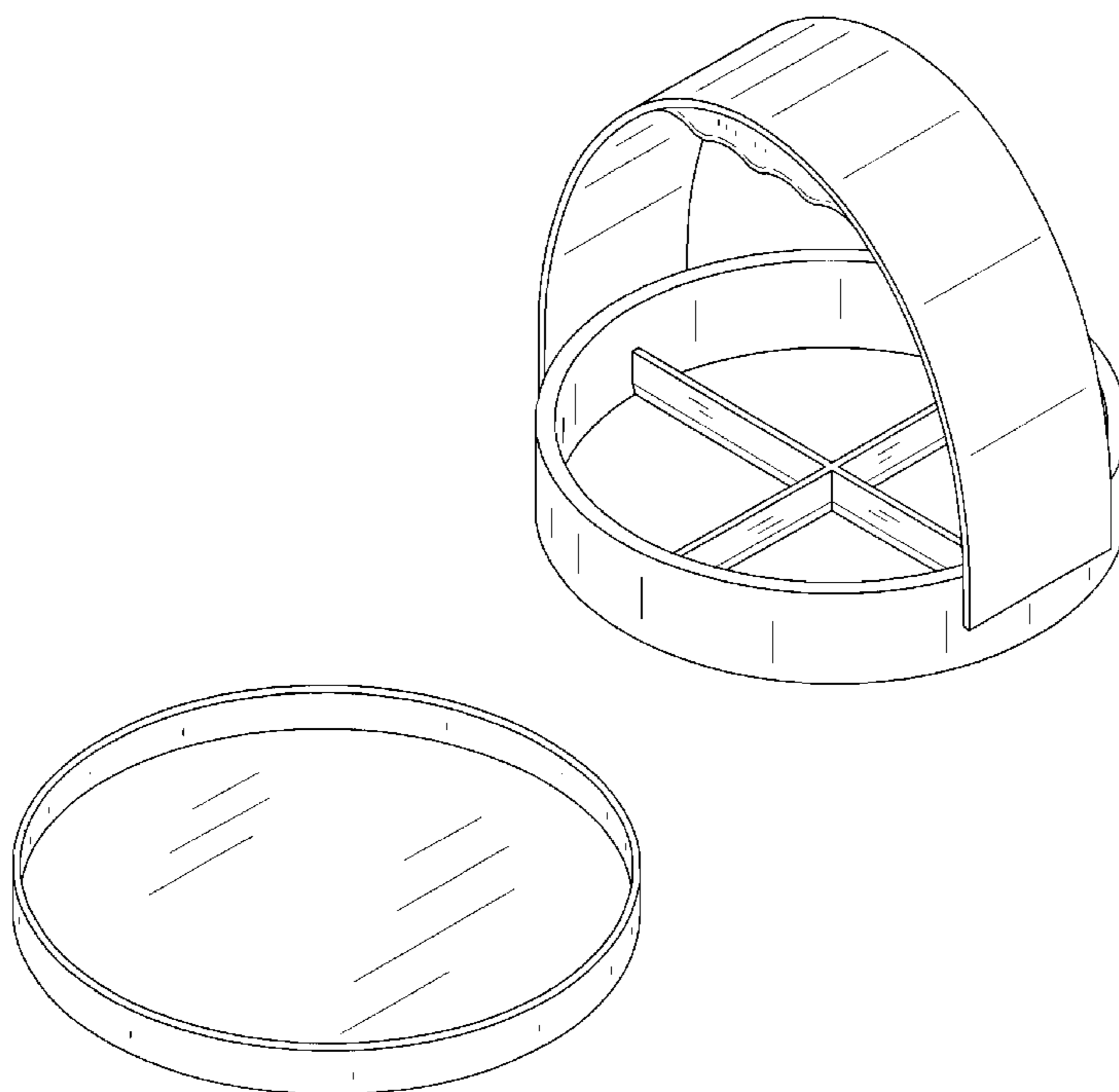
FIG. 2 is a side elevational view thereof;

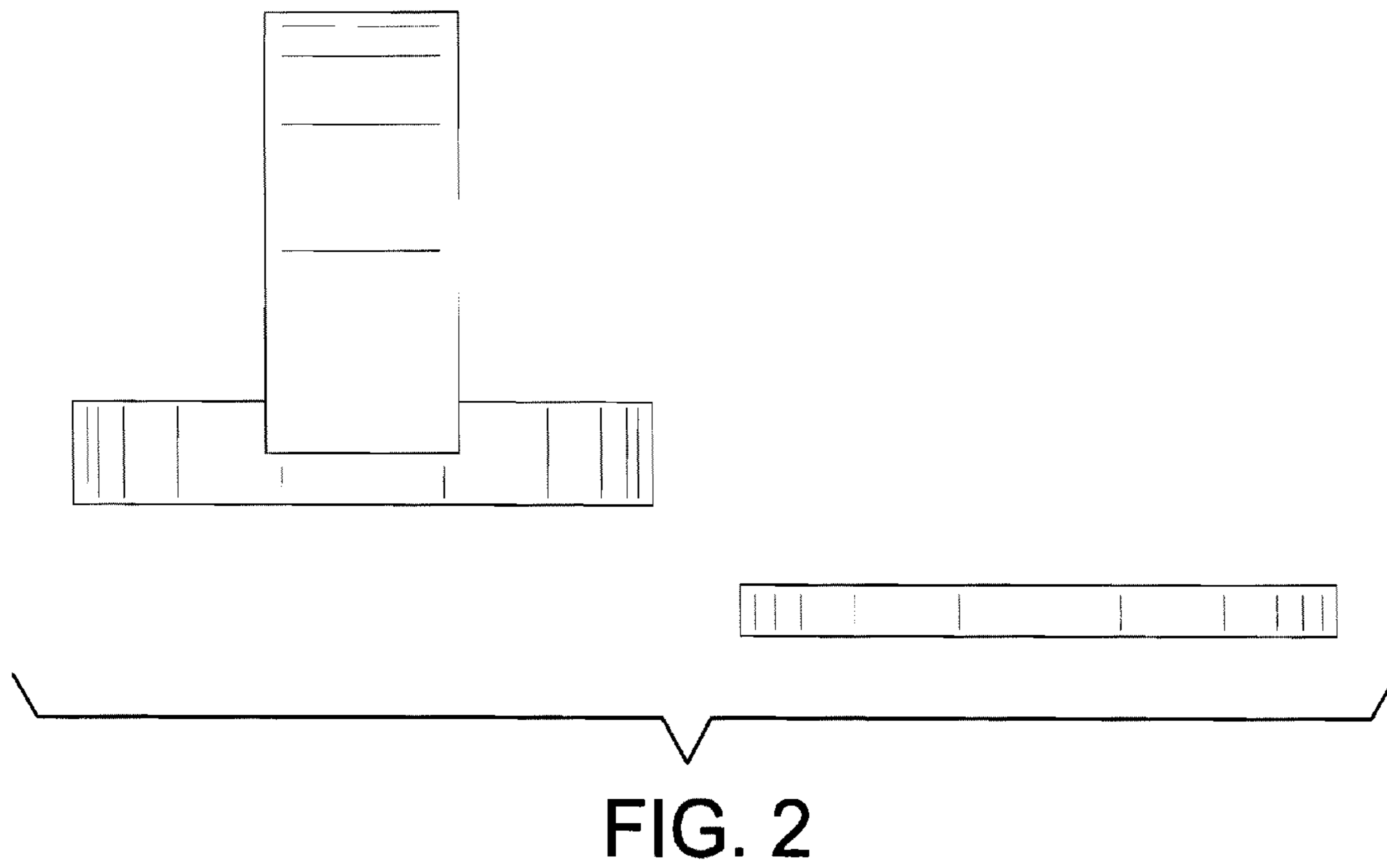
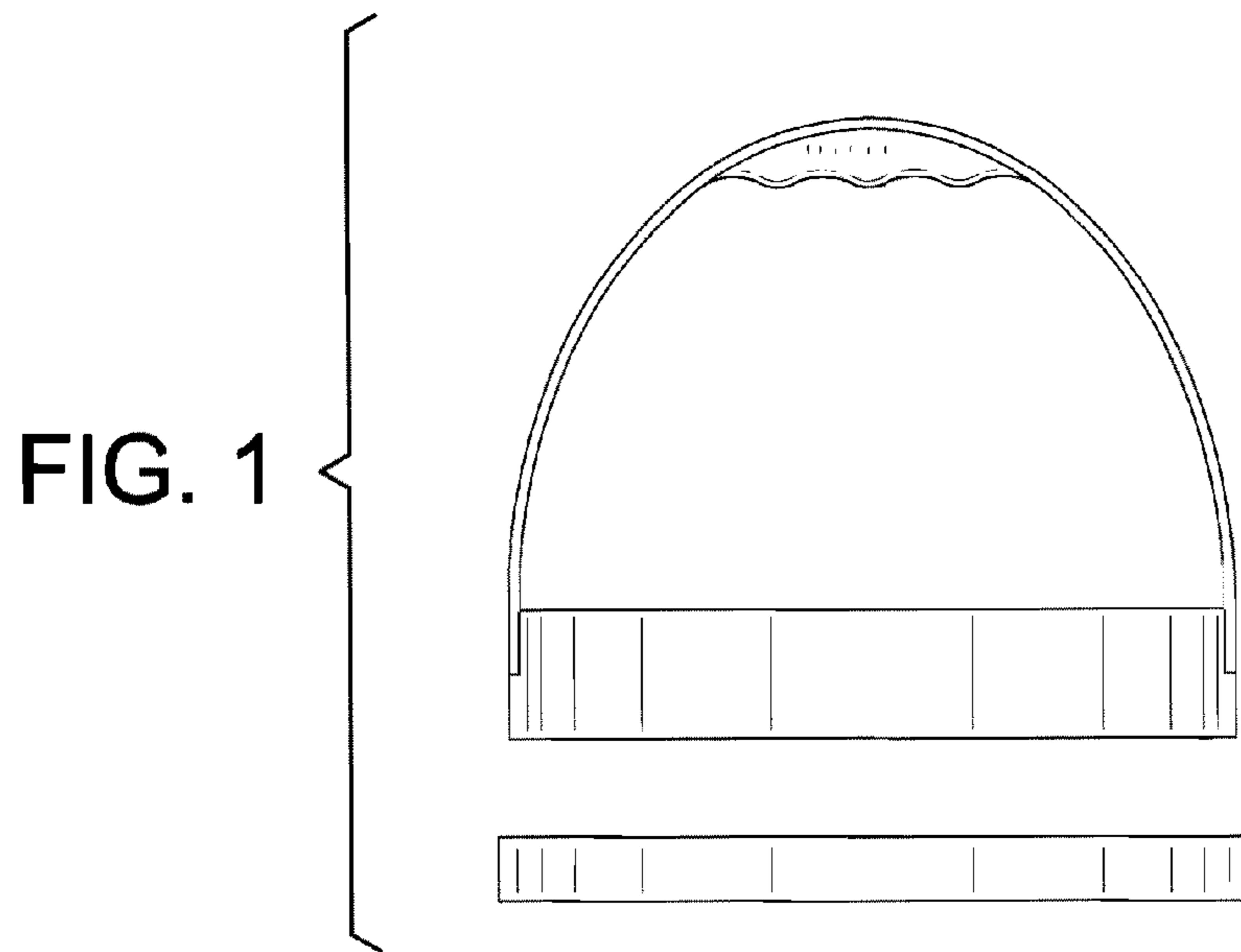
FIG. 3 is a top plan view thereof;

FIG. 4 is a bottom plan view thereof; and,

FIG. 5 is an isometric view thereof.

**1 Claim, 3 Drawing Sheets**





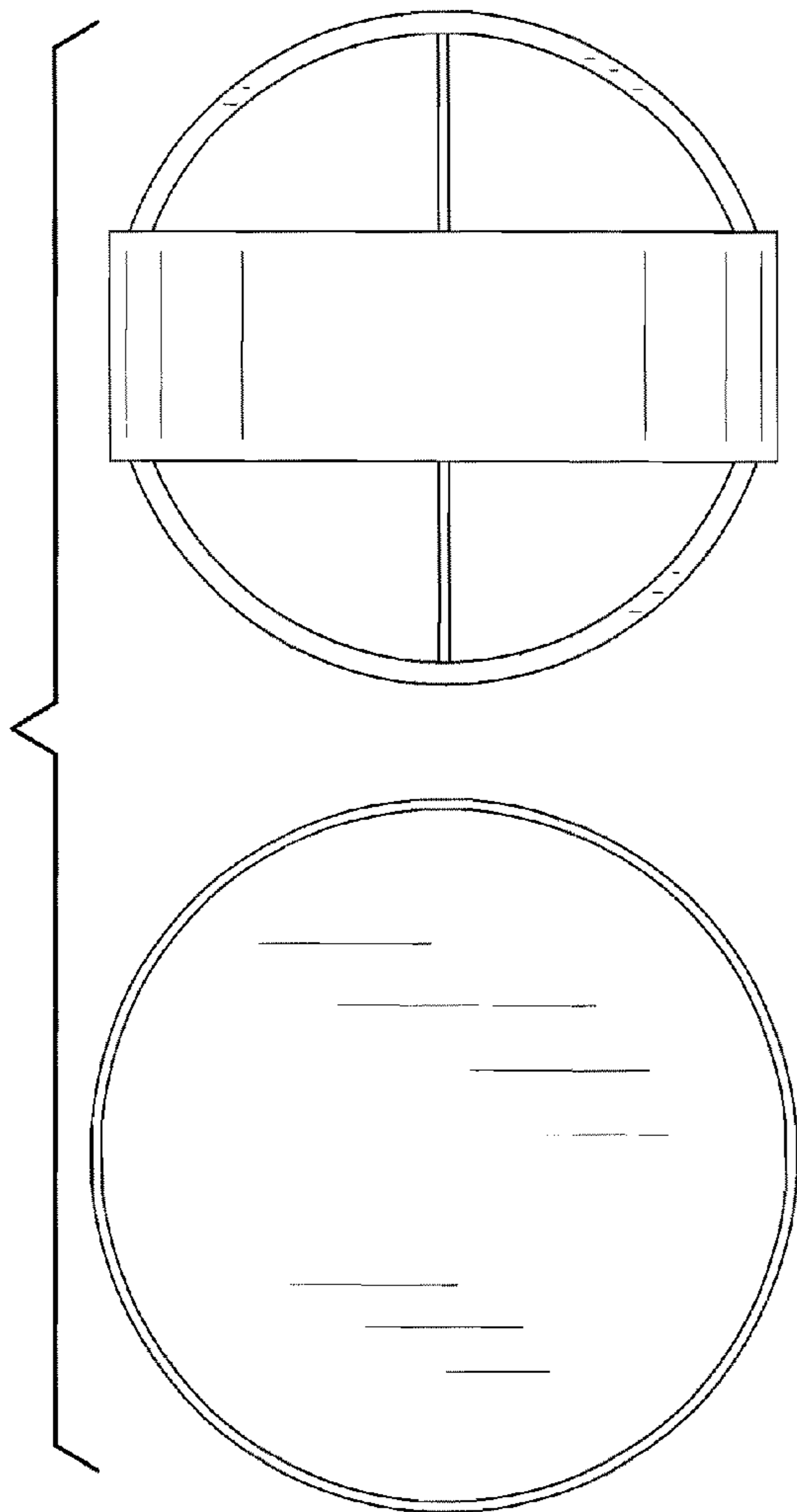


FIG. 3

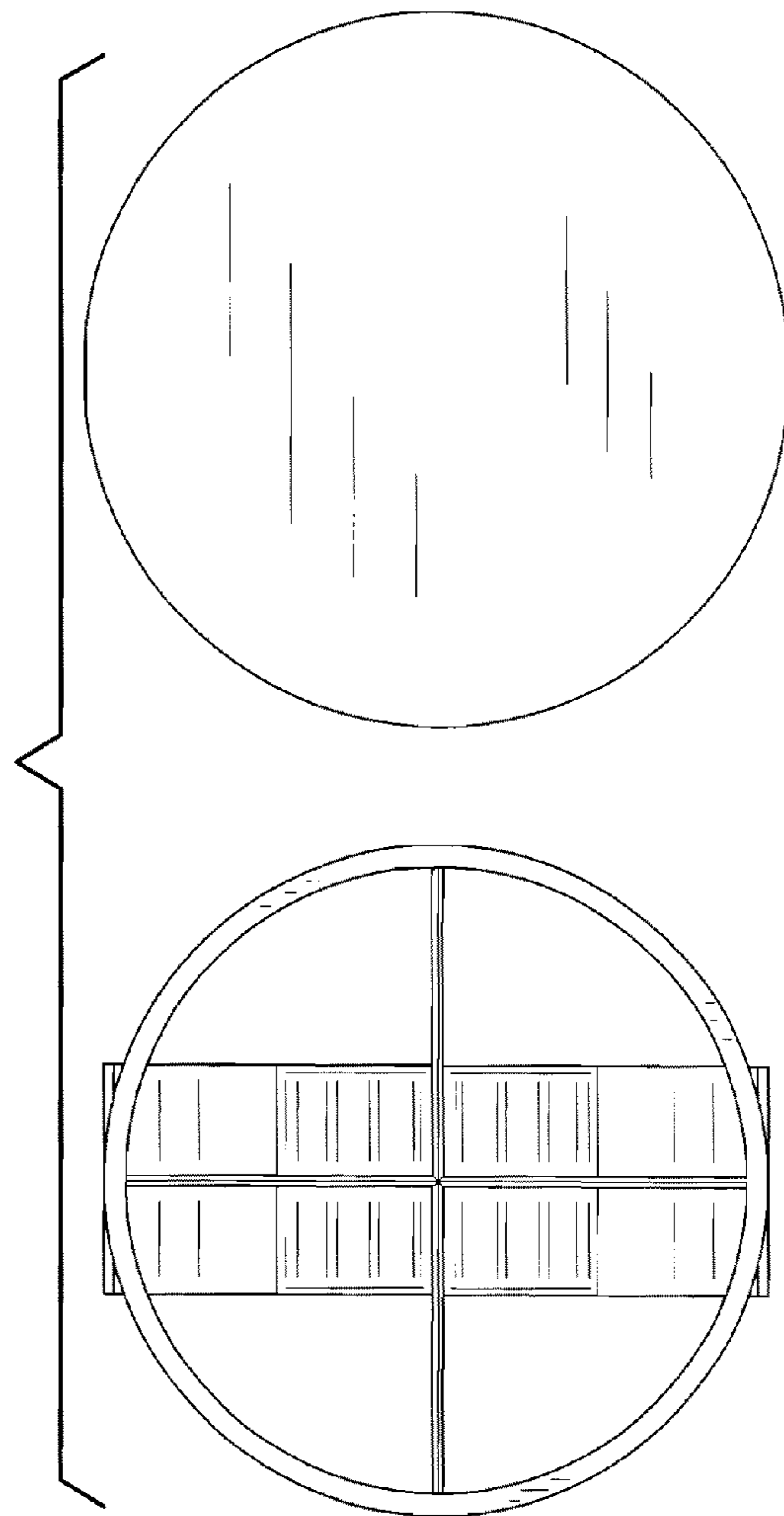


FIG. 4

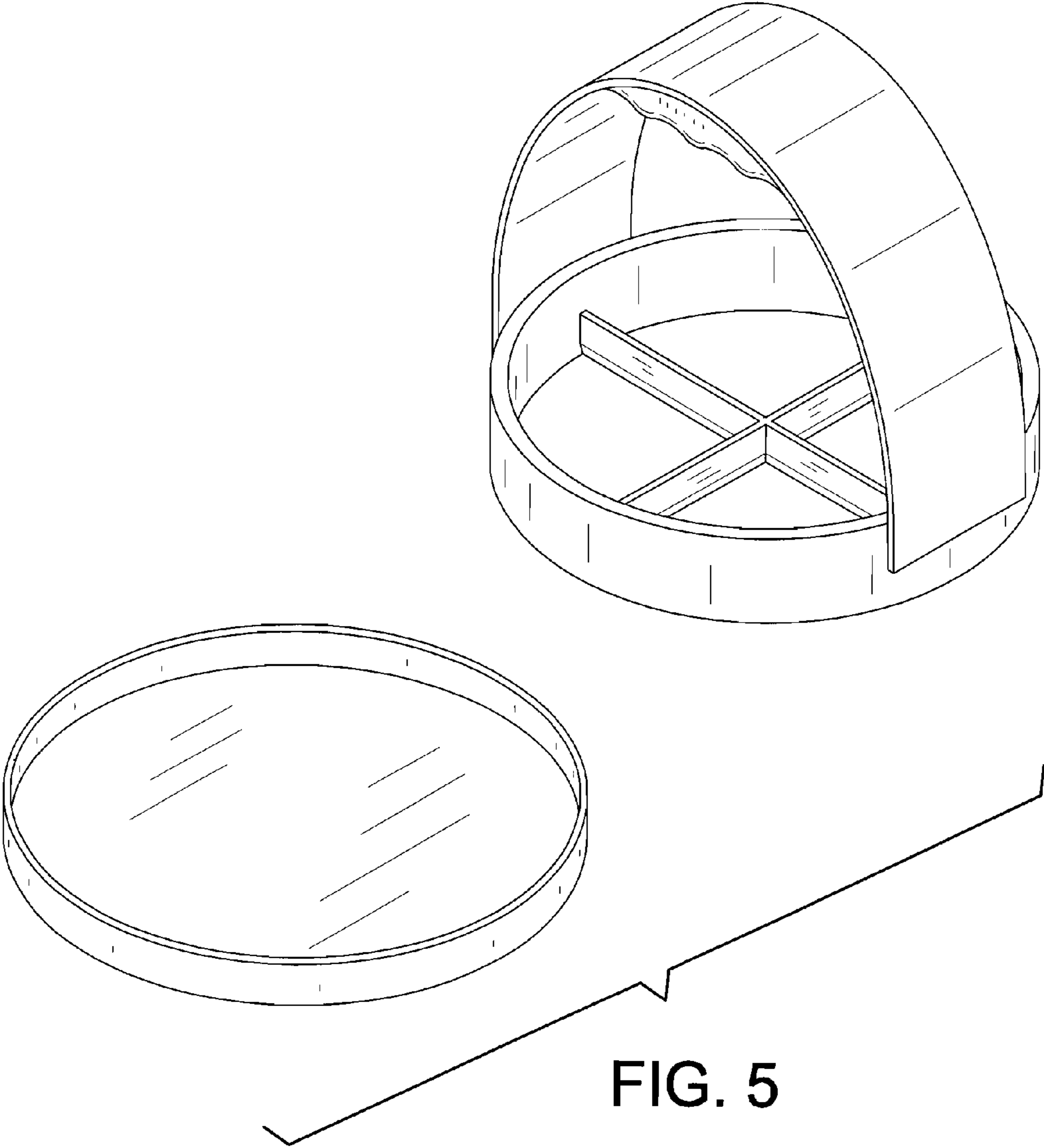


FIG. 5