



US00D586624S

(12) **United States Design Patent**
Goodman et al.

(10) **Patent No.:** **US D586,624 S**
(45) **Date of Patent:** **** Feb. 17, 2009**

(54) **BANANA HOLDER**
(75) Inventors: **Sheldon H. Goodman**, Solon, OH (US);
Omer I. Sazir, Cleveland, OH (US)

D481,265 S * 10/2003 Ancona D7/601
D524,111 S * 7/2006 Goodman et al. D7/601
D533,750 S * 12/2006 Goodman et al. D7/601
D538,109 S * 3/2007 Goodman et al. D7/601

(73) Assignee: **Spectrum Diversified Designs, Inc.**,
Streetsboro, OH (US)

* cited by examiner

(**) Term: **14 Years**

Primary Examiner—Terry A Wallace

(21) Appl. No.: **29/306,391**

(74) *Attorney, Agent, or Firm*—Pearne & Gordon LLP

(22) Filed: **Apr. 9, 2008**

(57) **CLAIM**

(51) **LOC (9) Cl.** **07-06**

(52) **U.S. Cl.** **D7/601**

(58) **Field of Classification Search** D7/601,
D7/628, 701, 704; D6/449, 462, 546; 211/113.1,
211/85.2, 85.4, 181.1; 248/116, 121, 125.1,
248/175, 176.1

See application file for complete search history.

The ornamental design for a banana holder, as shown and described.

DESCRIPTION

(56) **References Cited**

U.S. PATENT DOCUMENTS

2,926,875 A * 3/1960 Hoyer 248/121
4,936,466 A * 6/1990 Nava 211/85.2
D365,249 S * 12/1995 Reisman D7/601
D385,751 S * 11/1997 Hollinger D7/601
5,826,843 A * 10/1998 Sturm 248/176.1
D401,819 S * 12/1998 Doret, Jr. D7/600.2
D404,973 S * 2/1999 Goodman et al. D7/601
D437,735 S * 2/2001 Goodman et al. D7/601
D479,099 S * 9/2003 Ancona D7/601

FIG. 1 is a perspective view of a banana holder, showing our new design;

FIG. 2 is a front elevational view thereof;

FIG. 3 is a left side elevational view thereof;

FIG. 4 is a right side view thereof;

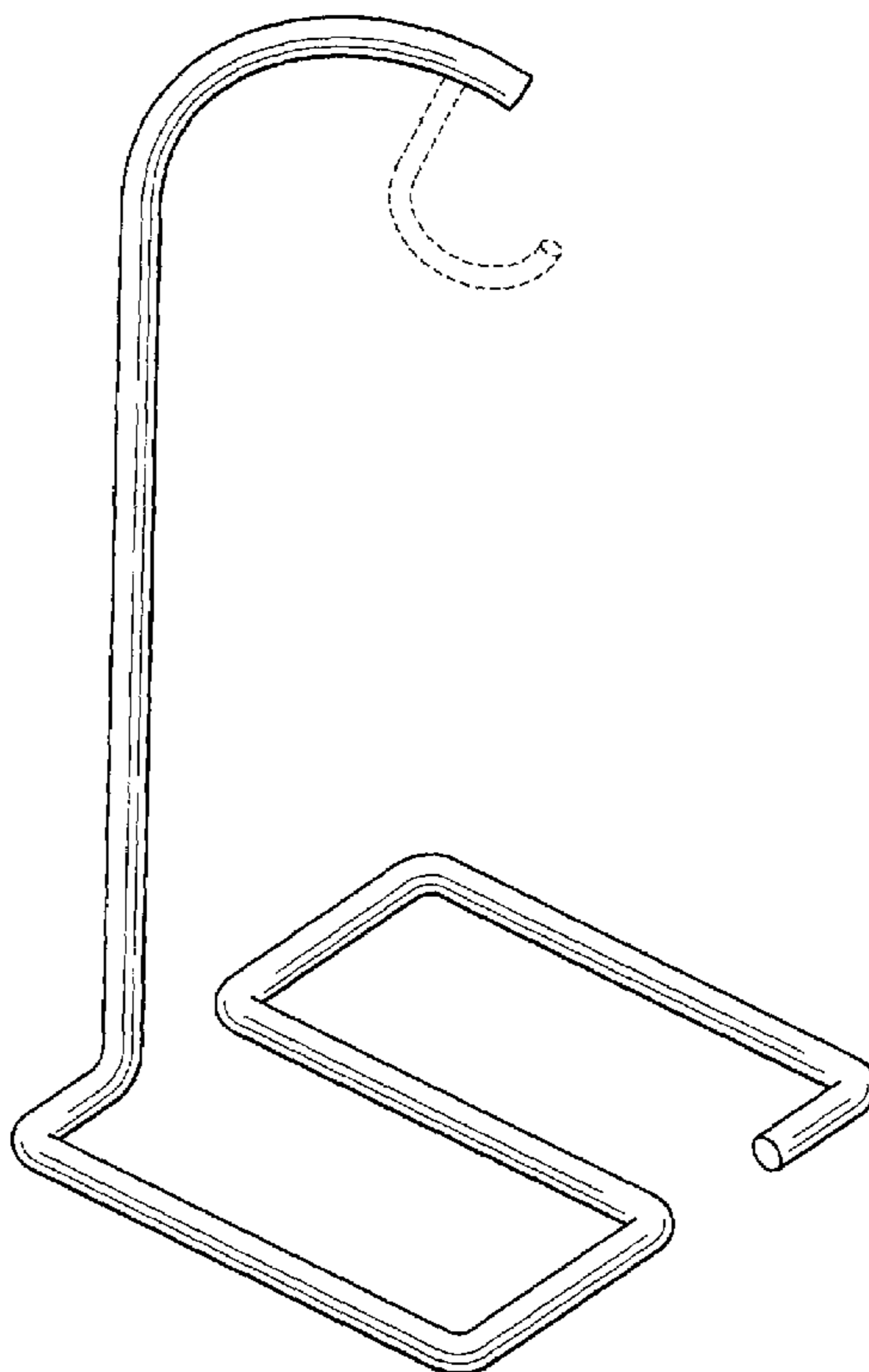
FIG. 5 is a top plan view thereof;

FIG. 6 is a bottom plan view thereof; and,

FIG. 7 is a perspective view of an alternate embodiment of FIG. 1, the two areas shown separated in the base area are used to show indeterminate length.

The dotted line disclosure of elements in the views is for illustrative purposes only and forms no part of the claimed design.

1 Claim, 3 Drawing Sheets



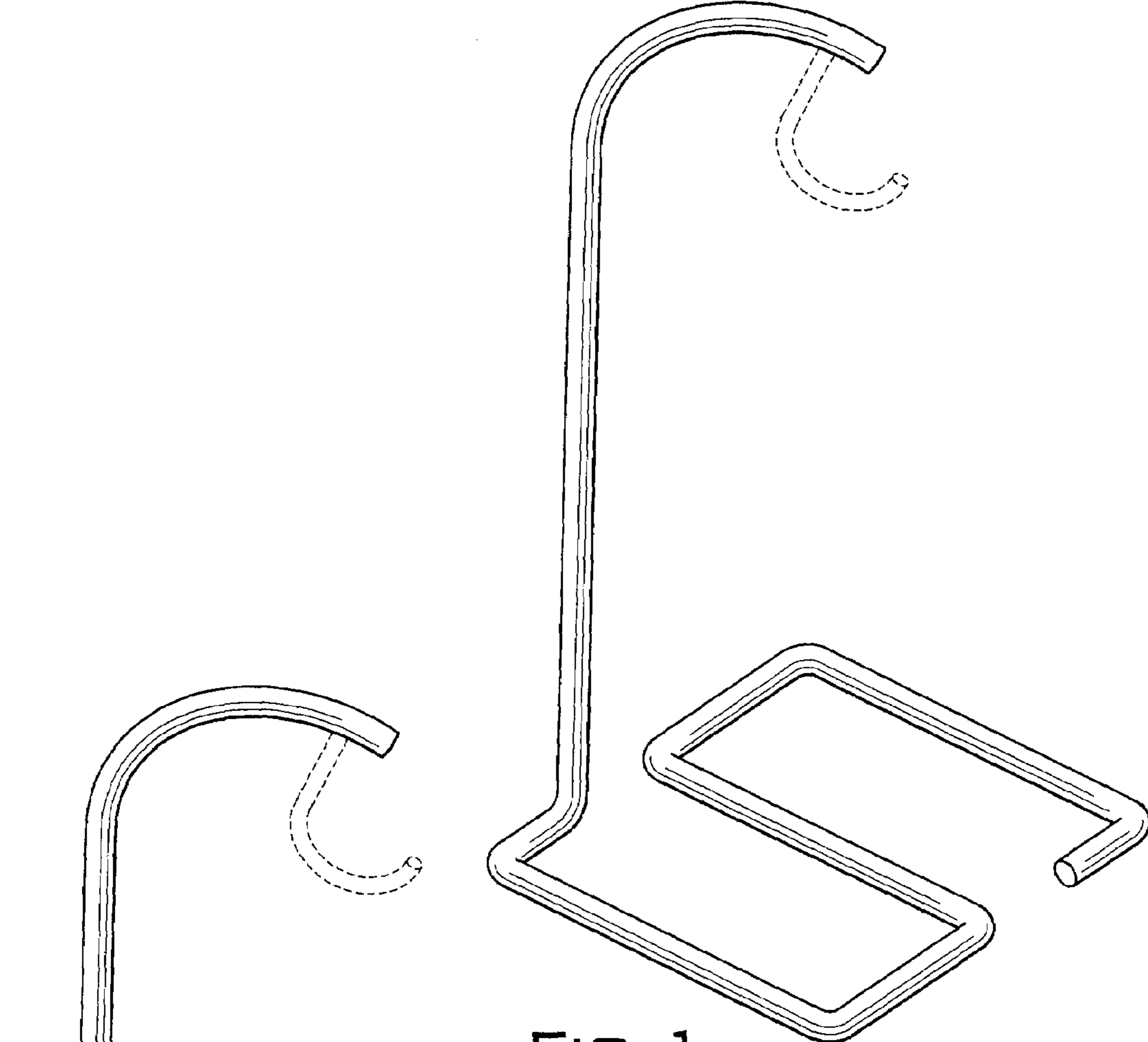


FIG. 1

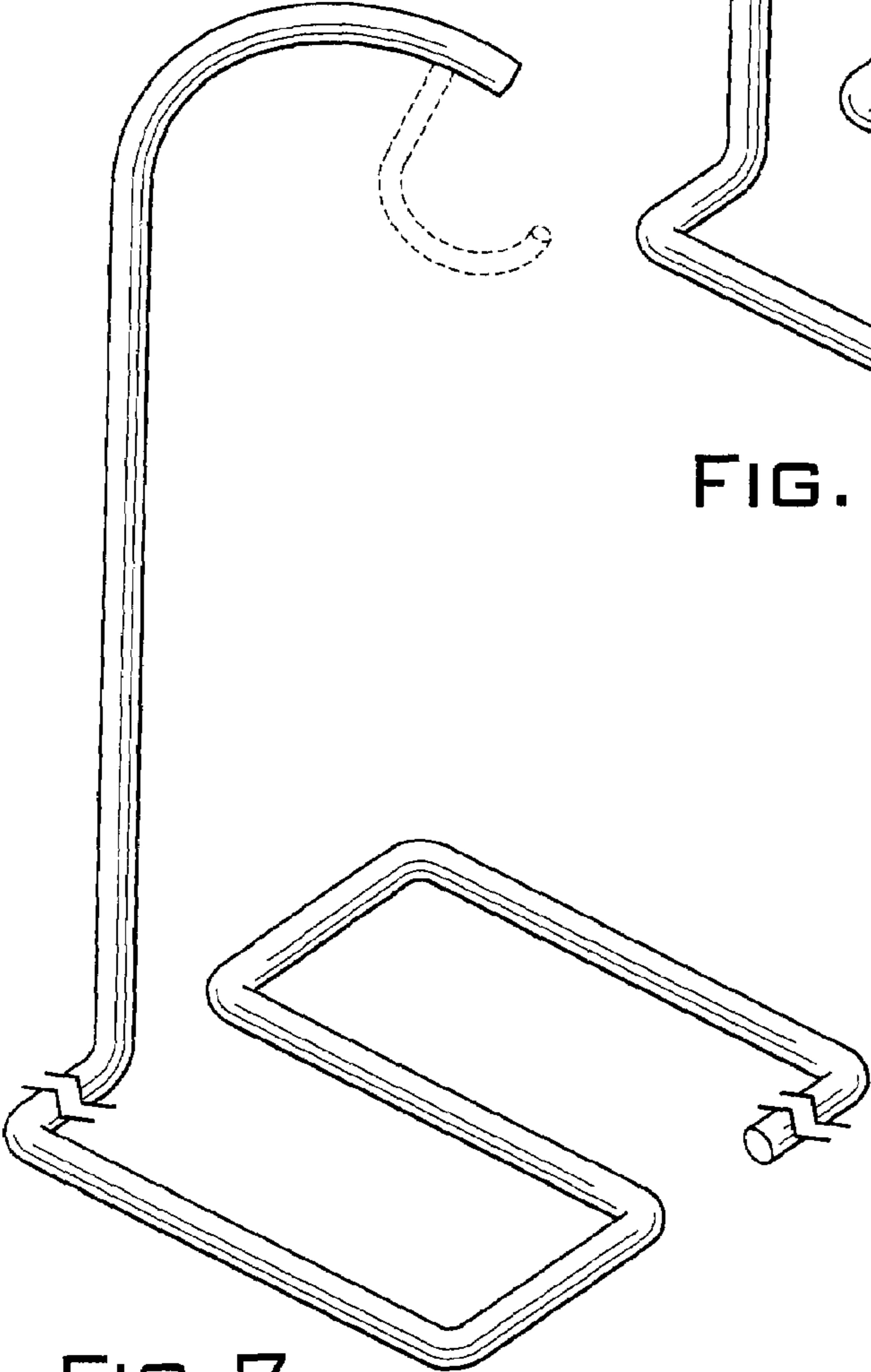


FIG. 7

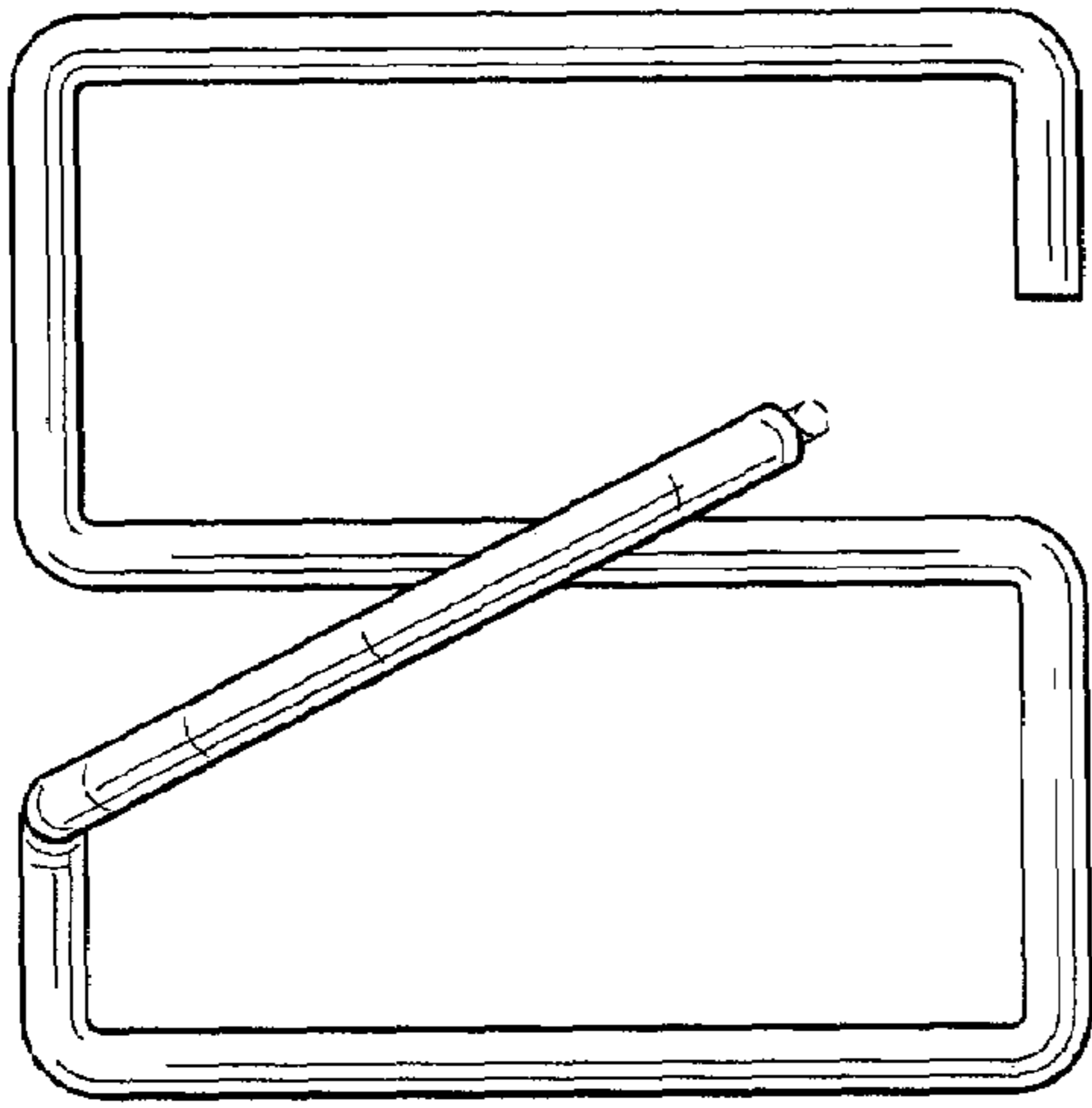


FIG. 5

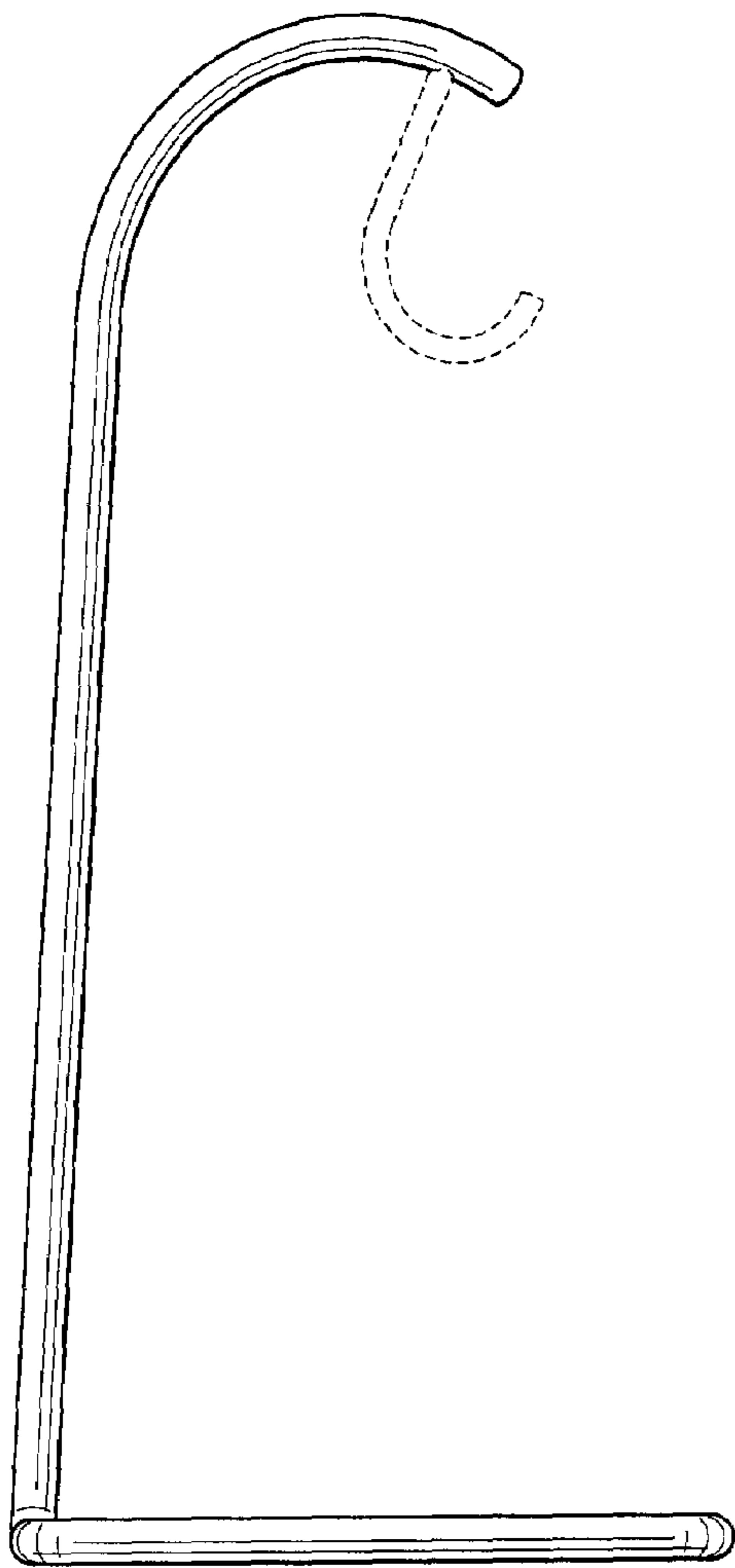


FIG. 2

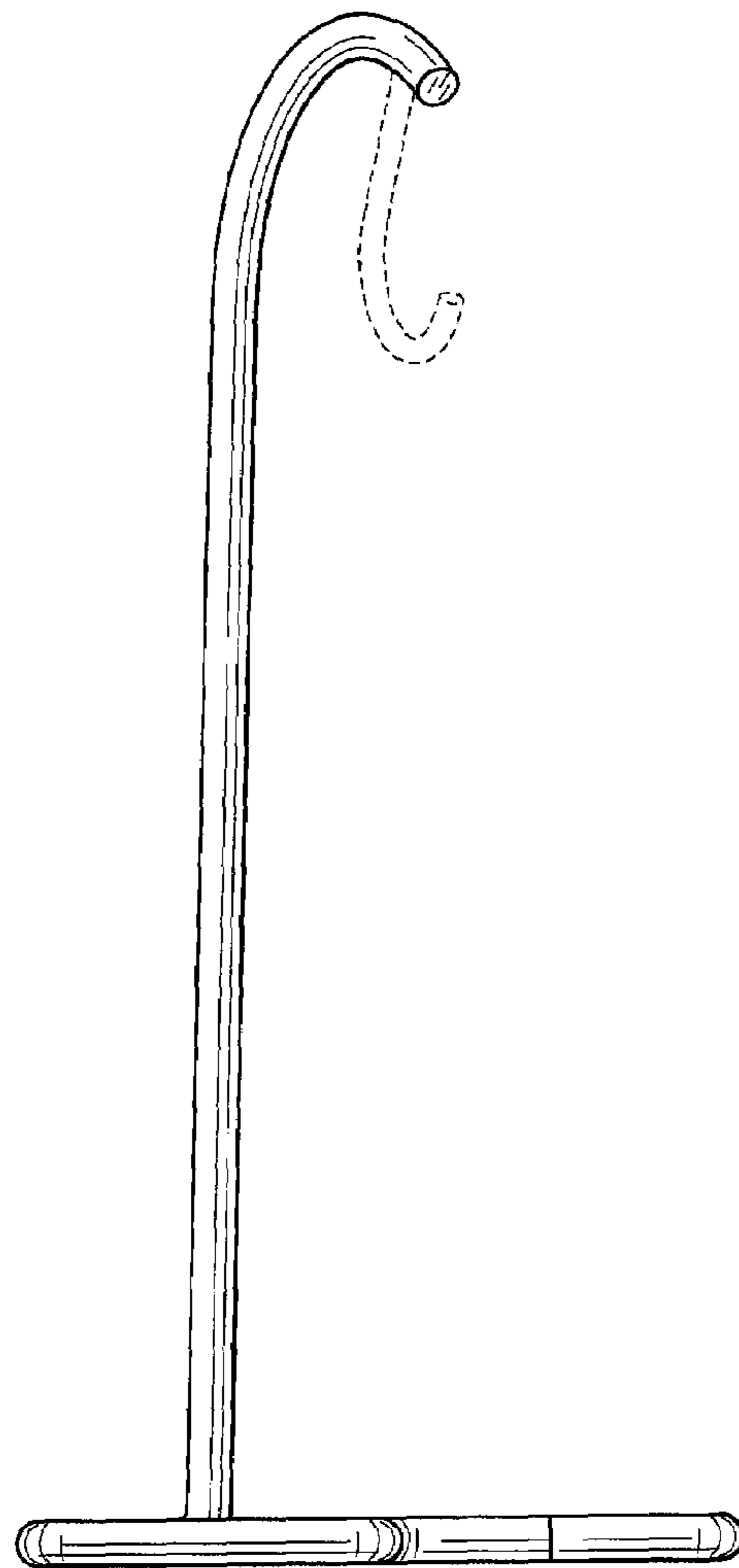


FIG. 4

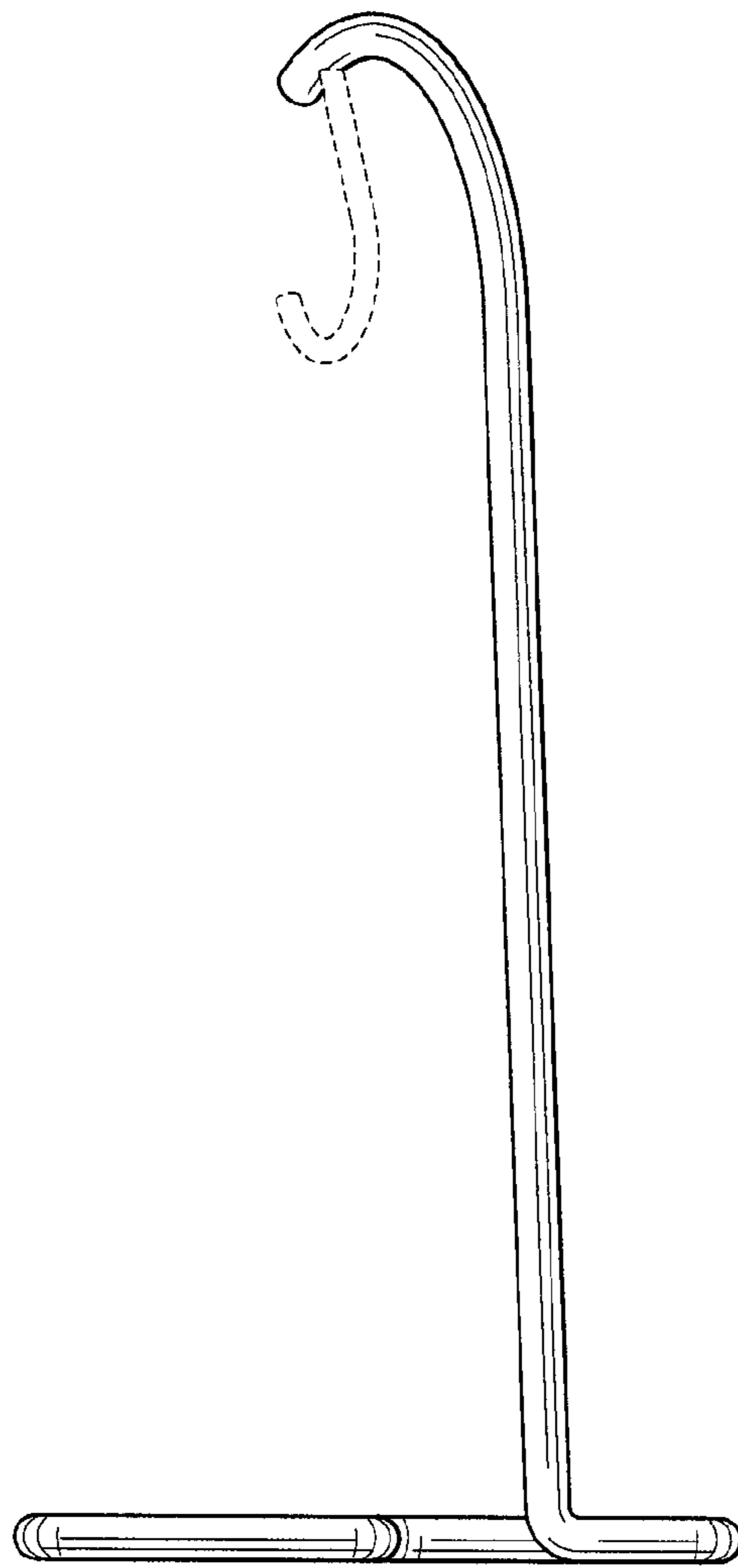


FIG. 3

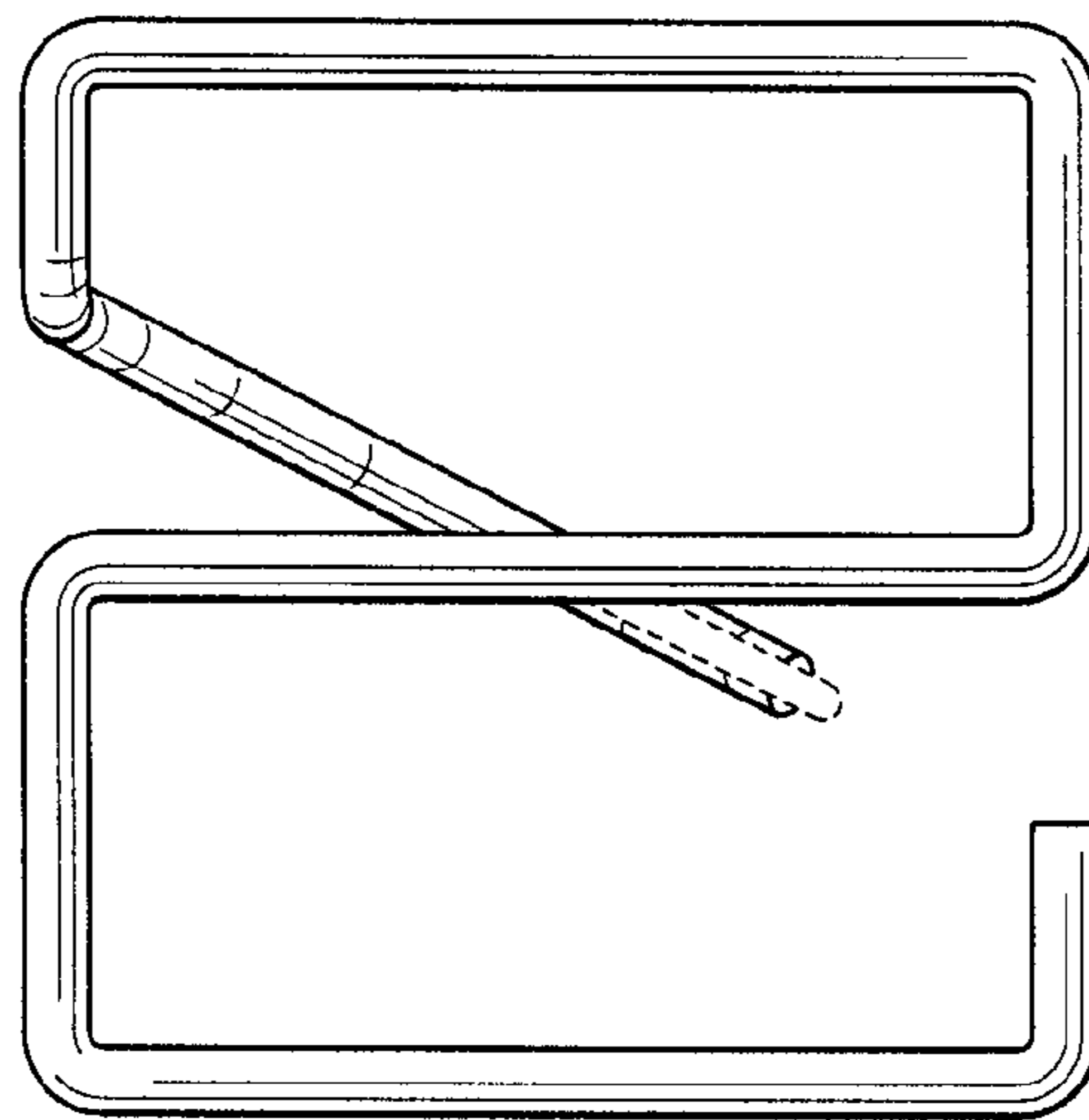


FIG. 6