



US00D586623S

(12) **United States Design Patent**  
**Dunn**

(10) **Patent No.:** **US D586,623 S**

(45) **Date of Patent:** **\*\* Feb. 17, 2009**

(54) **PORTION CONTROL PLATE AND LID**

(76) **Inventor:** **Arthur T. Dunn**, P.O. Box 687, Madison Height, VA (US) 24572

(\*\*) **Term:** **14 Years**

(21) **Appl. No.:** **29/309,084**

(22) **Filed:** **Jun. 19, 2008**

(51) **LOC (9) Cl.** ..... **07-01**

(52) **U.S. Cl.** ..... **D7/541; D7/549**

(58) **Field of Classification Search** ..... D7/500,  
D7/541, 538, 543, 549, 555, 553.8, 554.3,  
D7/553.5, 553.4, 553.3, 553.2, 553.1, 550.1,  
D7/558, 614, 703, 629, 357; D9/741, 739,  
D9/737, 759, 761, 424-426; D6/406.3, 511;  
D3/315; D28/61; 211/74; 206/562, 538,  
206/575, 574, 23.86, 23.83, 563, 564, 217,  
206/815; 220/359.4, 556, 575, 23.8, 500,  
220/4.24, 526, 523, 645, 553, 377, 281; 294/172;  
108/25; 229/904, 5.83, 406, 558, 557

See application file for complete search history.

(56) **References Cited**

**U.S. PATENT DOCUMENTS**

3,101,864 A \* 8/1963 Glickman ..... 206/557  
3,401,863 A \* 9/1968 Earl ..... 229/406  
D235,499 S \* 6/1975 Day ..... D7/553.3  
D236,691 S \* 9/1975 Haase ..... D9/761  
4,360,148 A 11/1982 Forbes, Jr.  
D269,854 S \* 7/1983 Commisso ..... D9/761

D318,207 S \* 7/1991 Anderson ..... D7/549  
D376,953 S \* 12/1996 Dunn ..... D7/549  
5,624,051 A \* 4/1997 Ahern et al. .... 220/553  
5,944,177 A 8/1999 Nemoto  
6,296,488 B1 10/2001 Brenkus et al.  
6,471,084 B2 \* 10/2002 Erb ..... 220/359.4  
D494,857 S \* 8/2004 Chen et al. .... D9/759  
7,114,630 B2 \* 10/2006 Dege et al. .... 220/526  
D538,102 S \* 3/2007 Dege et al. .... D7/392.1  
D578,387 S \* 10/2008 Lovett ..... D9/425

\* cited by examiner

*Primary Examiner*—Philip S Hyder

*Assistant Examiner*—Cynthia Underwood

(74) *Attorney, Agent, or Firm*—Richard C. Litman

(57) **CLAIM**

The ornamental design for a portion control plate and lid, as shown and described.

**DESCRIPTION**

FIG. 1 is a perspective view of a portion control plate and lid showing my new design;

FIG. 2 is a front elevational view thereof;

FIG. 3 is a rear elevational view thereof;

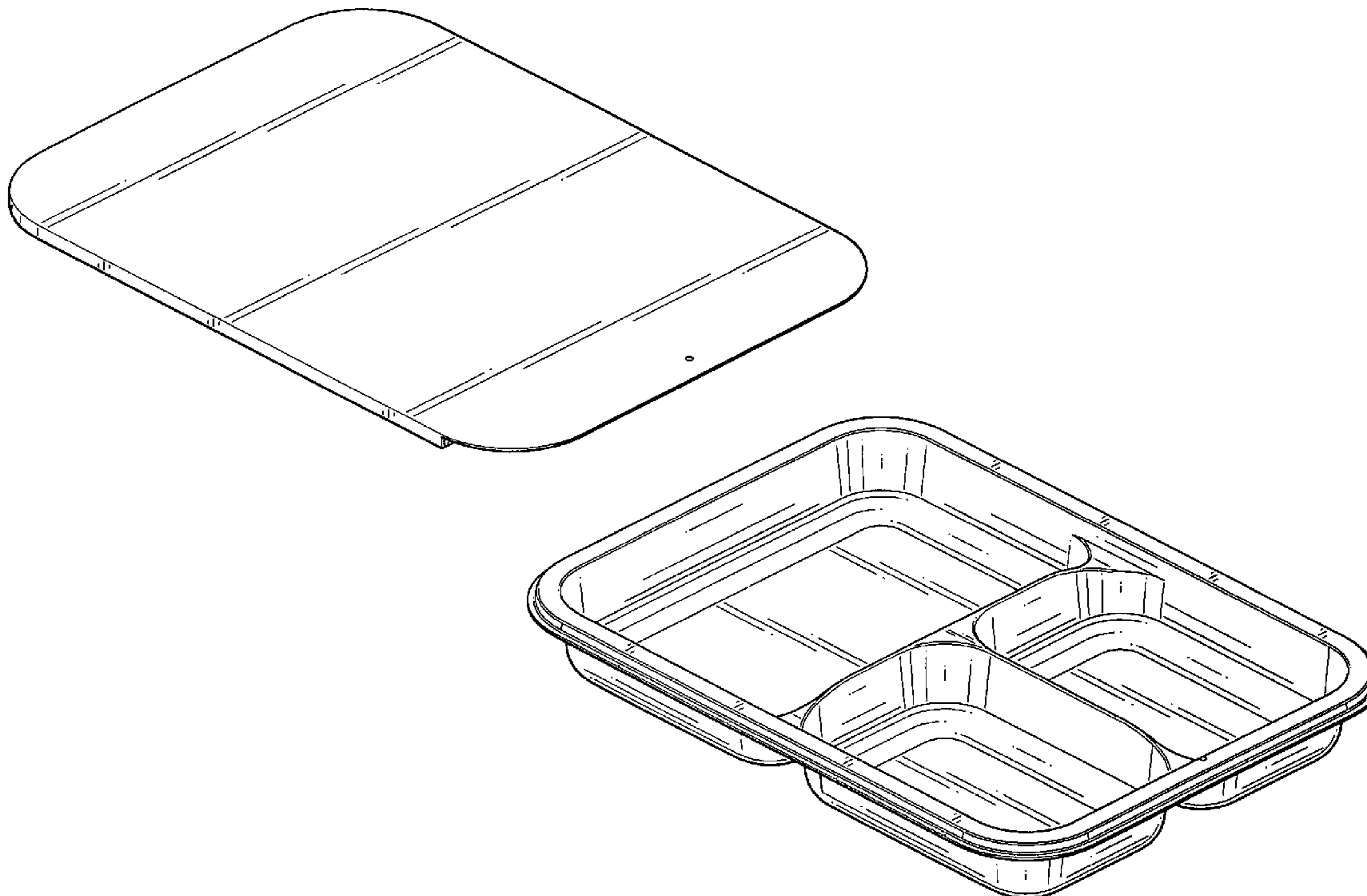
FIG. 4 is a left side elevational view thereof;

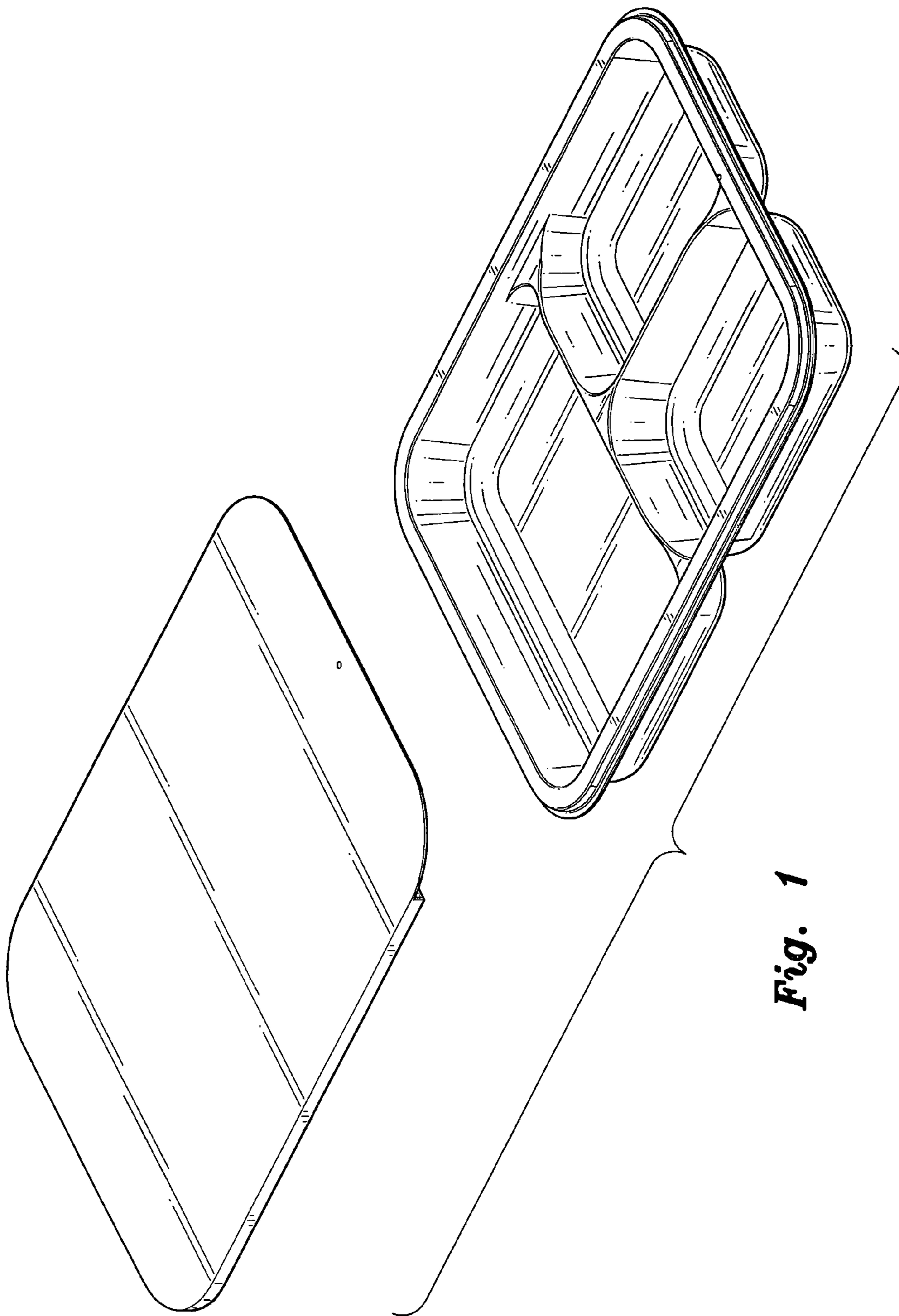
FIG. 5 is a right side elevational view thereof;

FIG. 6 is a top plan view thereof; and,

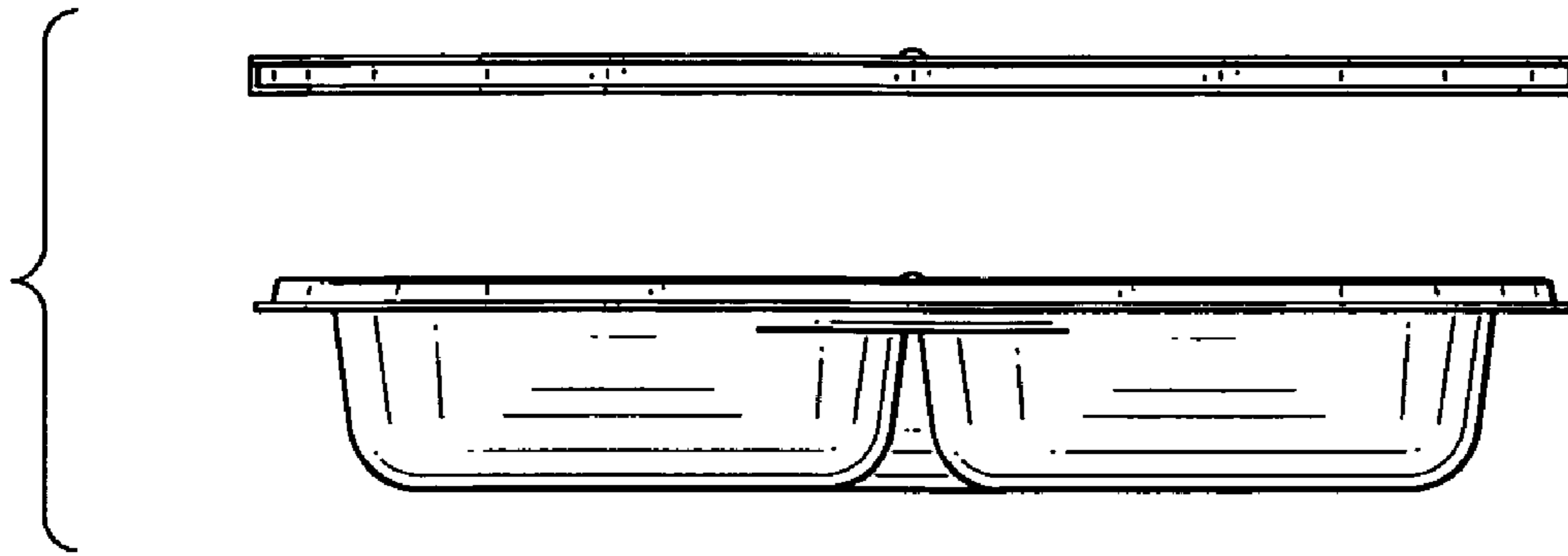
FIG. 7 is a bottom plan view thereof.

**1 Claim, 5 Drawing Sheets**

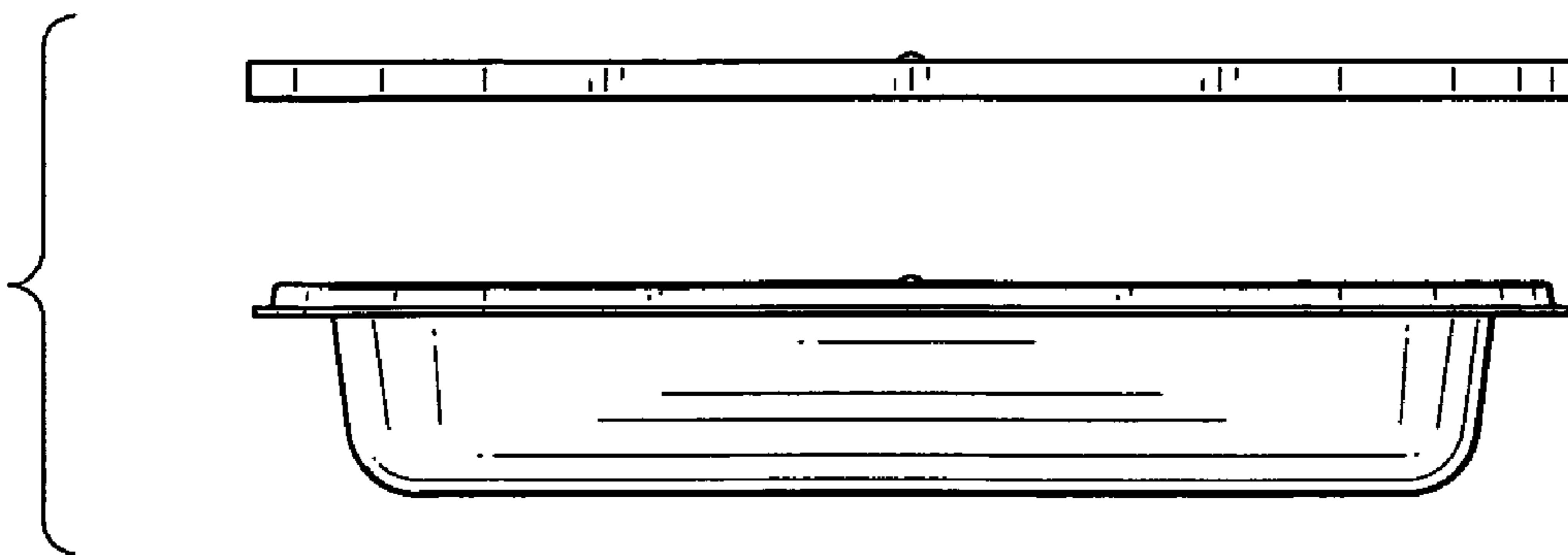




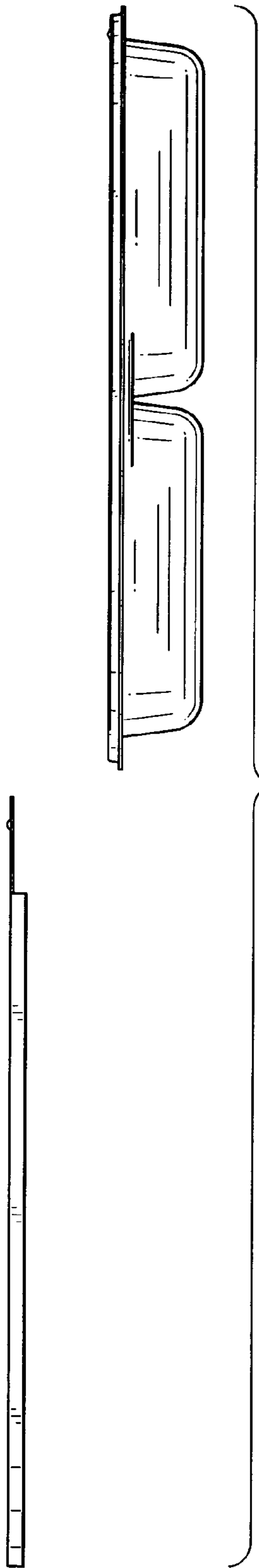
**Fig. 1**



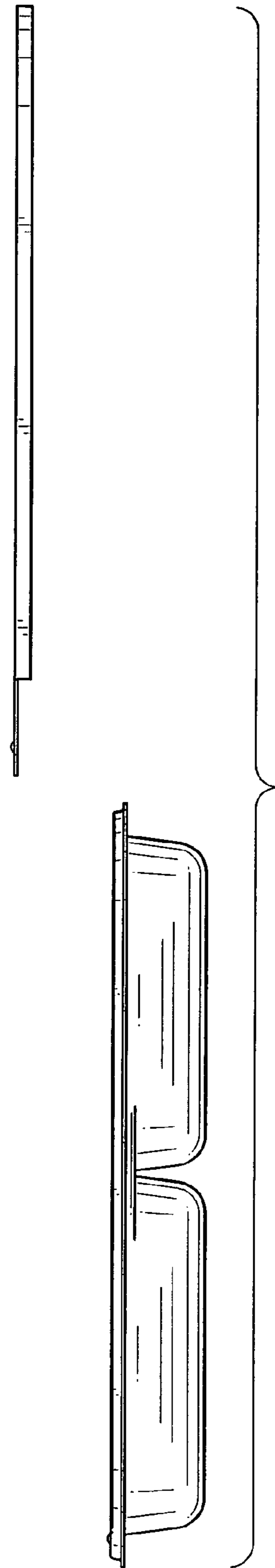
***Fig. 2***



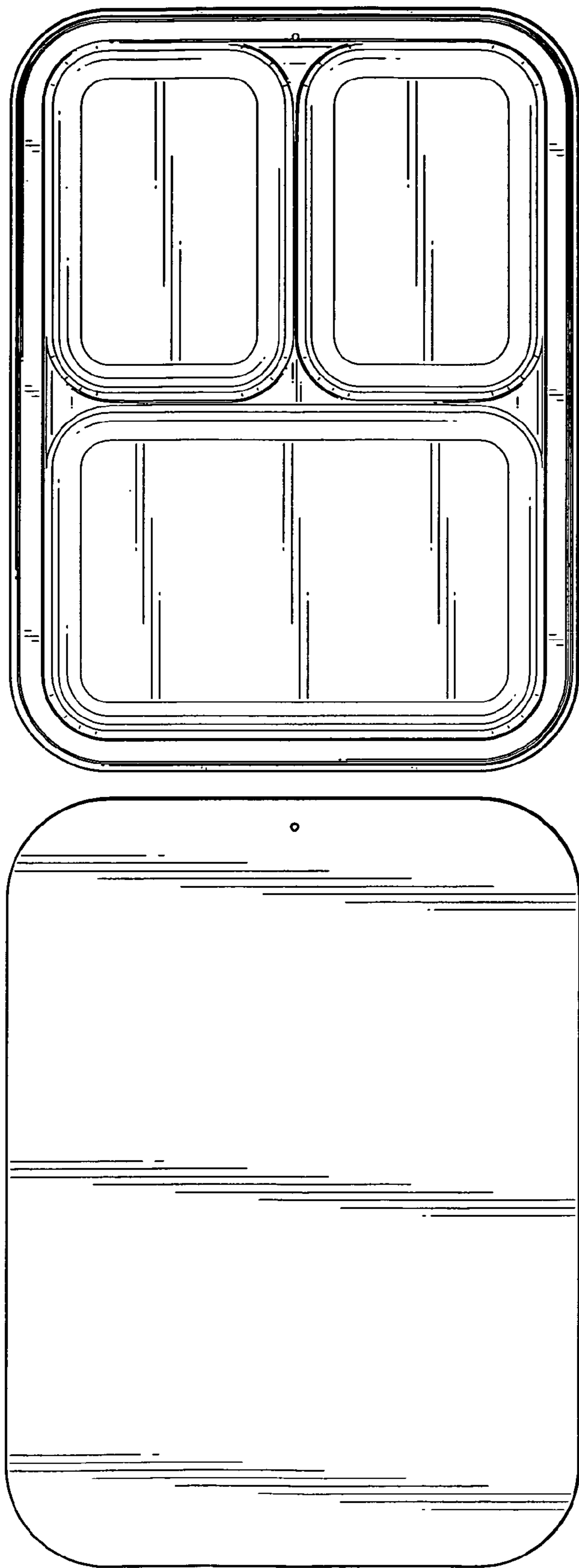
***Fig. 3***



*Fig. 4*

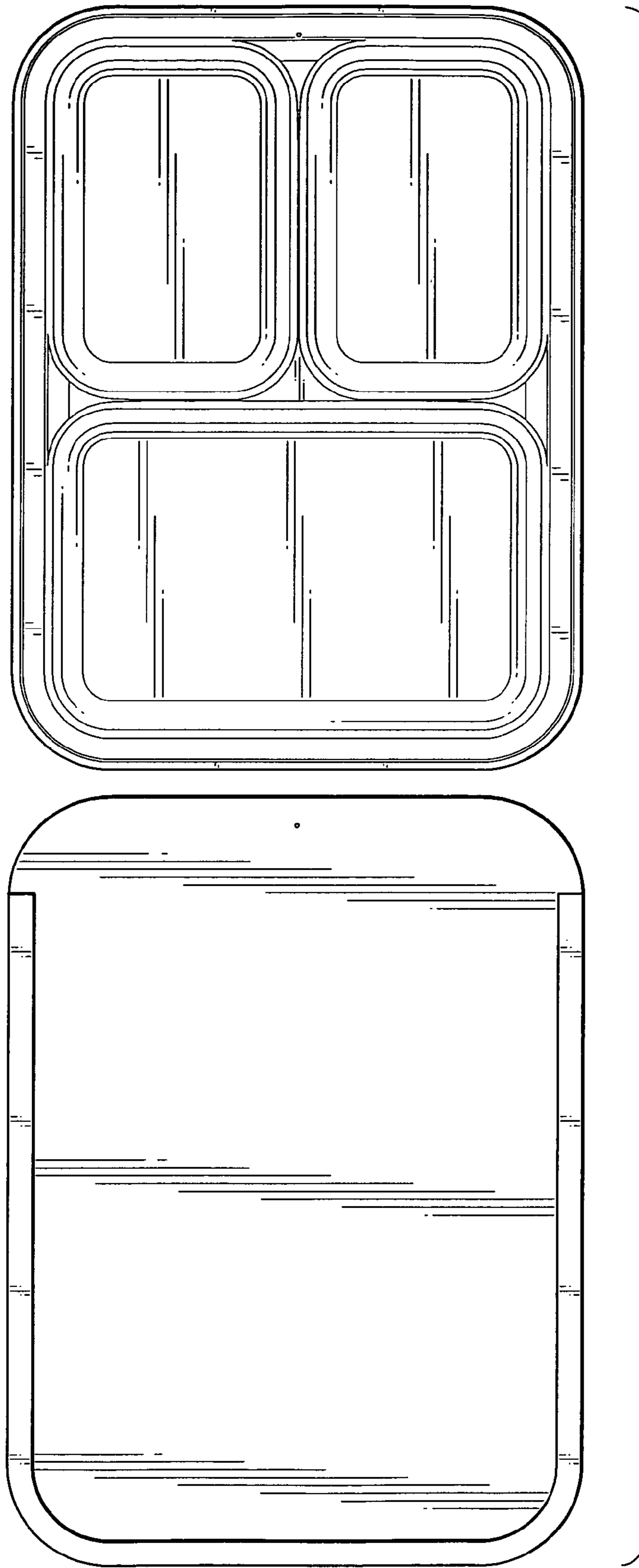


*Fig. 5*



*Fig. 6*





*Fig. 7*