



US00D586622S

(12) **United States Design Patent**
Silvers

(10) **Patent No.:** **US D586,622 S**

(45) **Date of Patent:** **** Feb. 17, 2009**

(54) **MALE DOUBLE JIGGER**

(75) Inventor: **Michael Silvers**, Chatswood (AU)

(73) Assignee: **Howard Silvers & Sons Pty Ltd**,
Chatswood, New South Wales (AU)

(**) Term: **14 Years**

(21) Appl. No.: **29/271,168**

(22) Filed: **Jan. 11, 2007**

(30) **Foreign Application Priority Data**

Jul. 11, 2006 (AU) 12942/06

(51) **LOC (9) Cl.** **07-01**

(52) **U.S. Cl.** **D7/523; D7/509**

(58) **Field of Classification Search** D7/500,
D7/503, 509, 523, 387, 392.1, 392.2, 368,
D7/669, 700; D3/202; D9/434, 561, 559,
D9/516, 435; D34/1; 141/316; 215/387,
215/DIG. 7; 220/703, 592.16, 592.17; 229/400
See application file for complete search history.

(56) **References Cited**

U.S. PATENT DOCUMENTS

D231,307 S * 4/1974 Wolfman D7/310
D248,006 S * 5/1978 Christian D7/584
4,485,855 A * 12/1984 Dillingham 141/316
D289,720 S * 5/1987 Maher D7/396.2
D316,967 S * 5/1991 York D9/538
5,762,120 A * 6/1998 Smith 141/340
D409,945 S * 5/1999 Hensen D11/152

6,209,737 B1 * 4/2001 Bliss 215/228
D491,019 S * 6/2004 Marsden et al. D7/523
D547,165 S * 7/2007 Barrese et al. D8/380
D552,927 S * 10/2007 O'Leary et al. D7/396.2
D560,098 S * 1/2008 Barducci D7/523

FOREIGN PATENT DOCUMENTS

AU 14905/2005 * 11/2005

* cited by examiner

Primary Examiner—Marianne Pandozzi

Assistant Examiner—Cynthia Underwood

(74) *Attorney, Agent, or Firm*—Ladas & Parry LLP

(57) **CLAIM**

The ornamental design for a male double jigger, as shown and described.

DESCRIPTION

FIG. 1 is a perspective view from below of the male double jigger which is the subject of my new design;

FIG. 2 is a perspective view from above of the male double jigger;

FIG. 3 is a bottom plan view thereof;

FIG. 4 is a top plan view thereof;

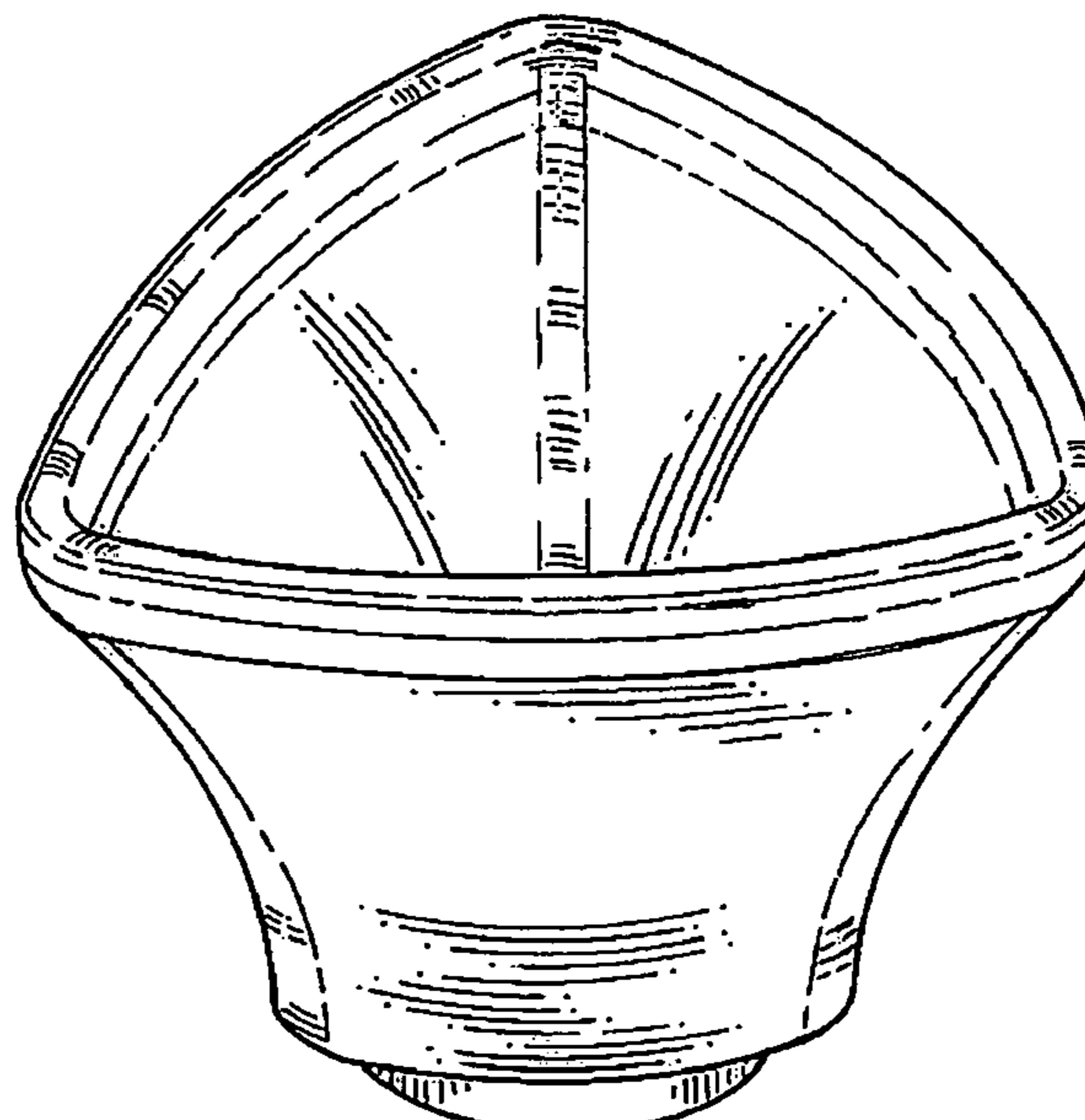
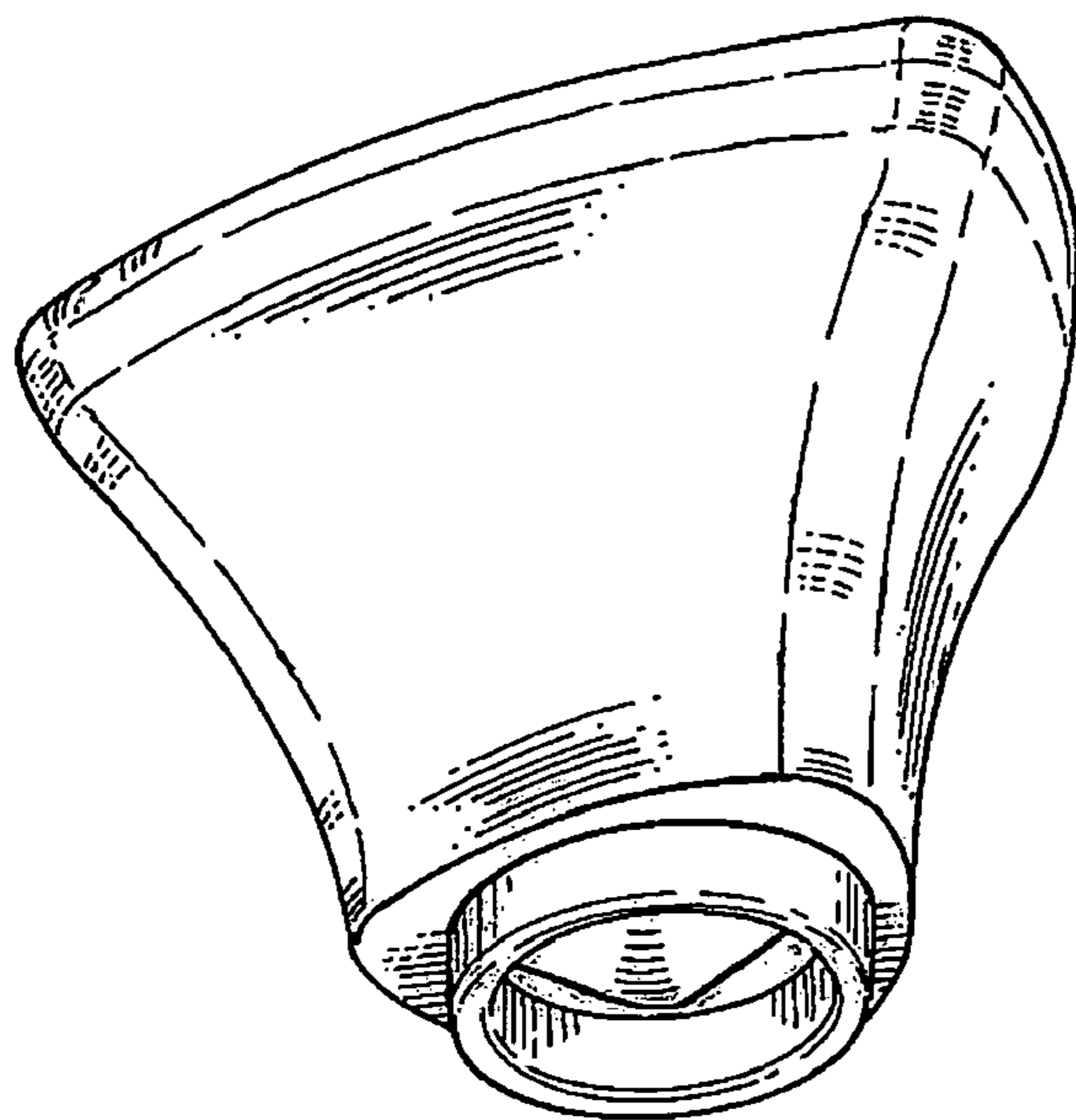
FIG. 5 is front elevational view thereof;

FIG. 6 is a rear elevational view thereof;

FIG. 7 is a left side elevational view thereof; and,

FIG. 8 is a right side elevational view thereof.

1 Claim, 4 Drawing Sheets



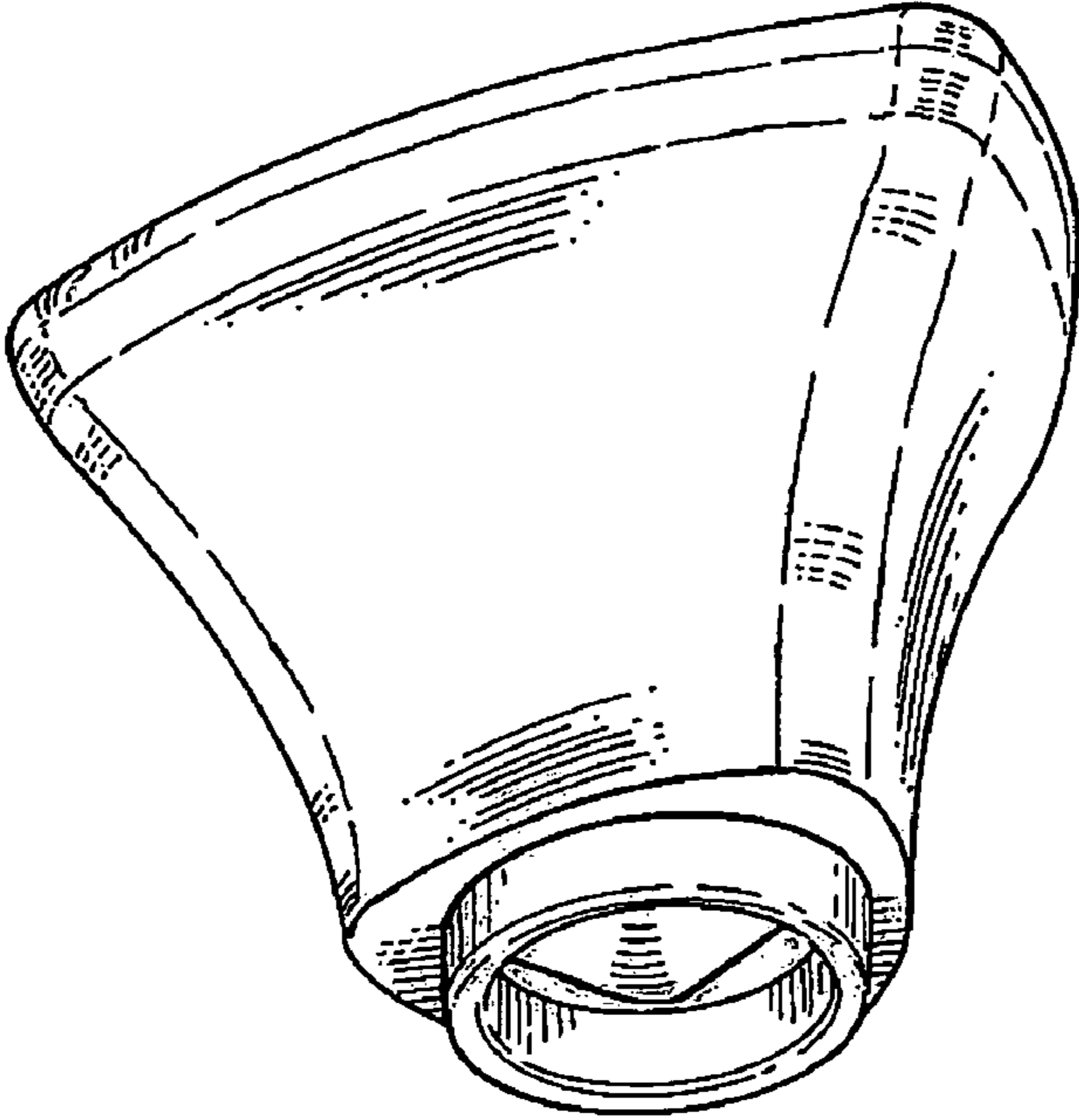


FIG. 1

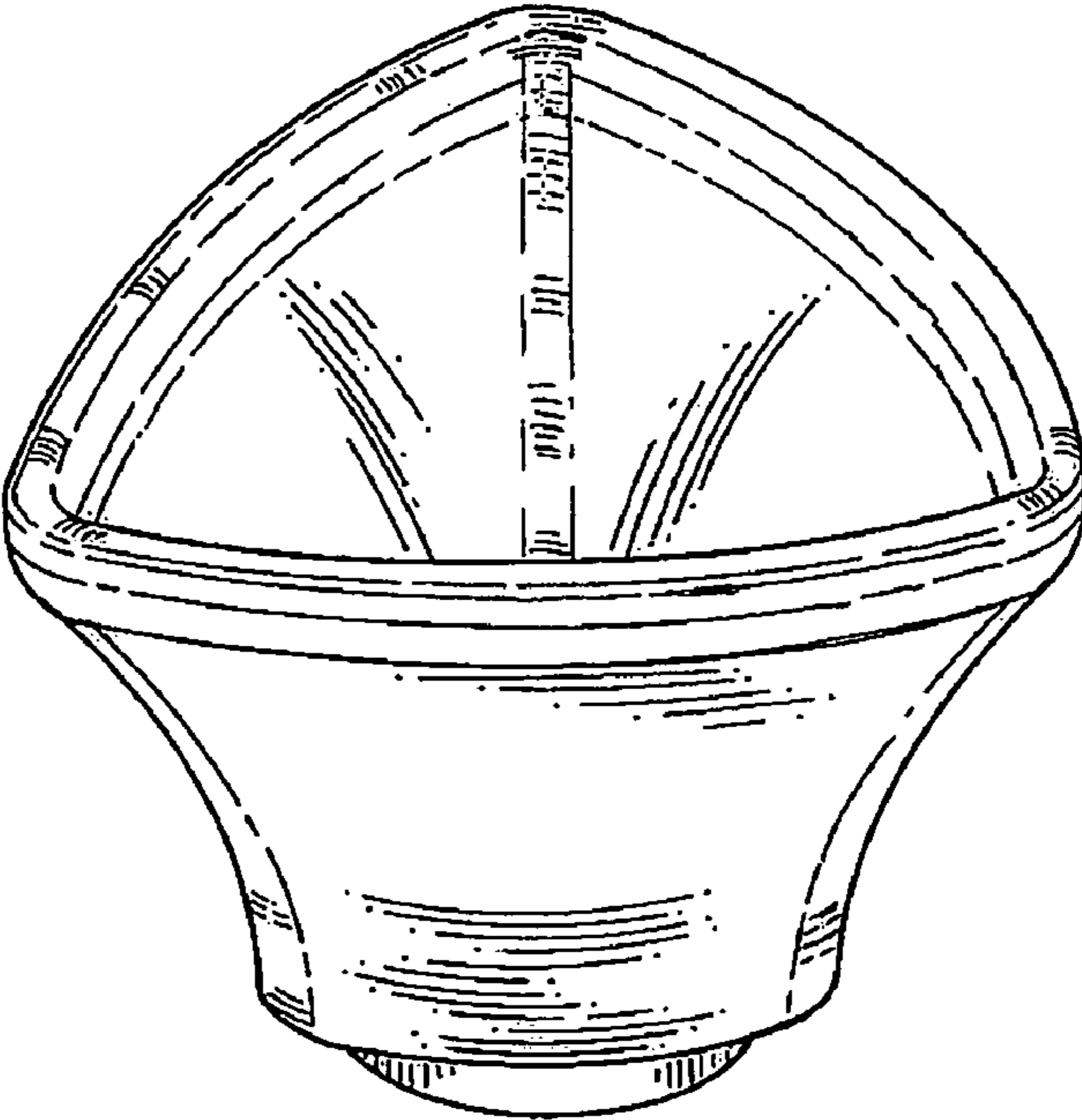


FIG. 2

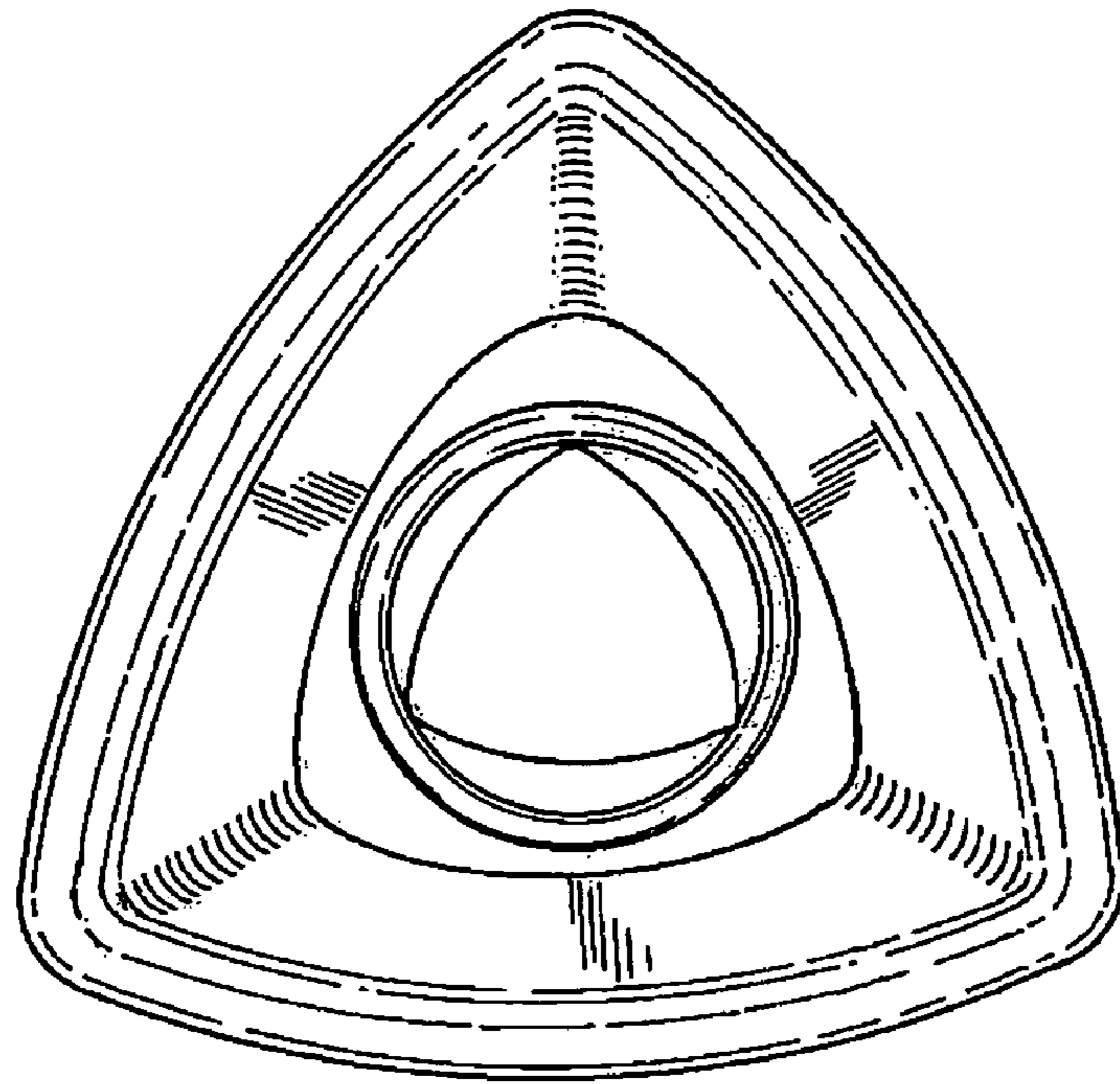


FIG. 3

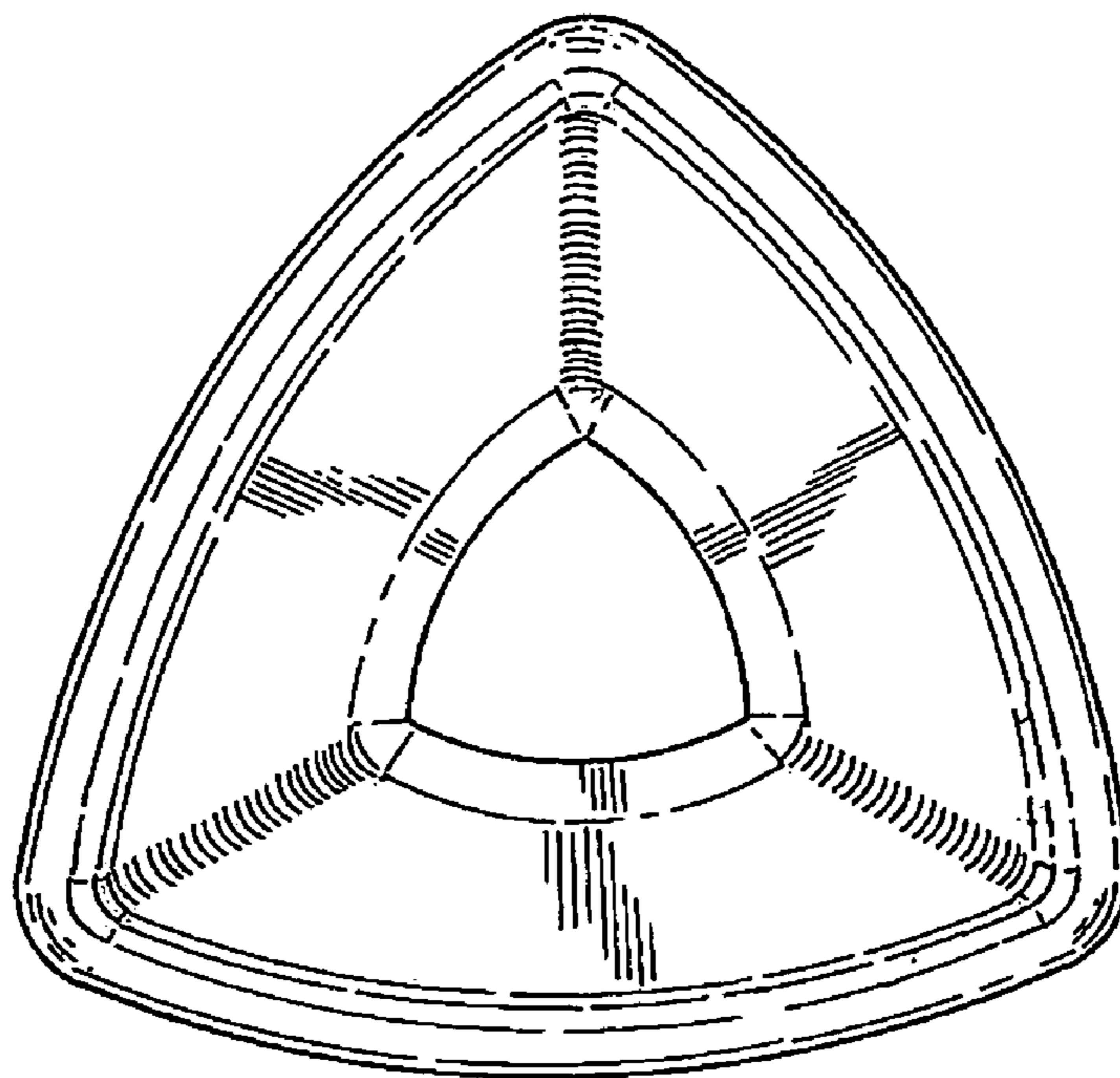


FIG. 4

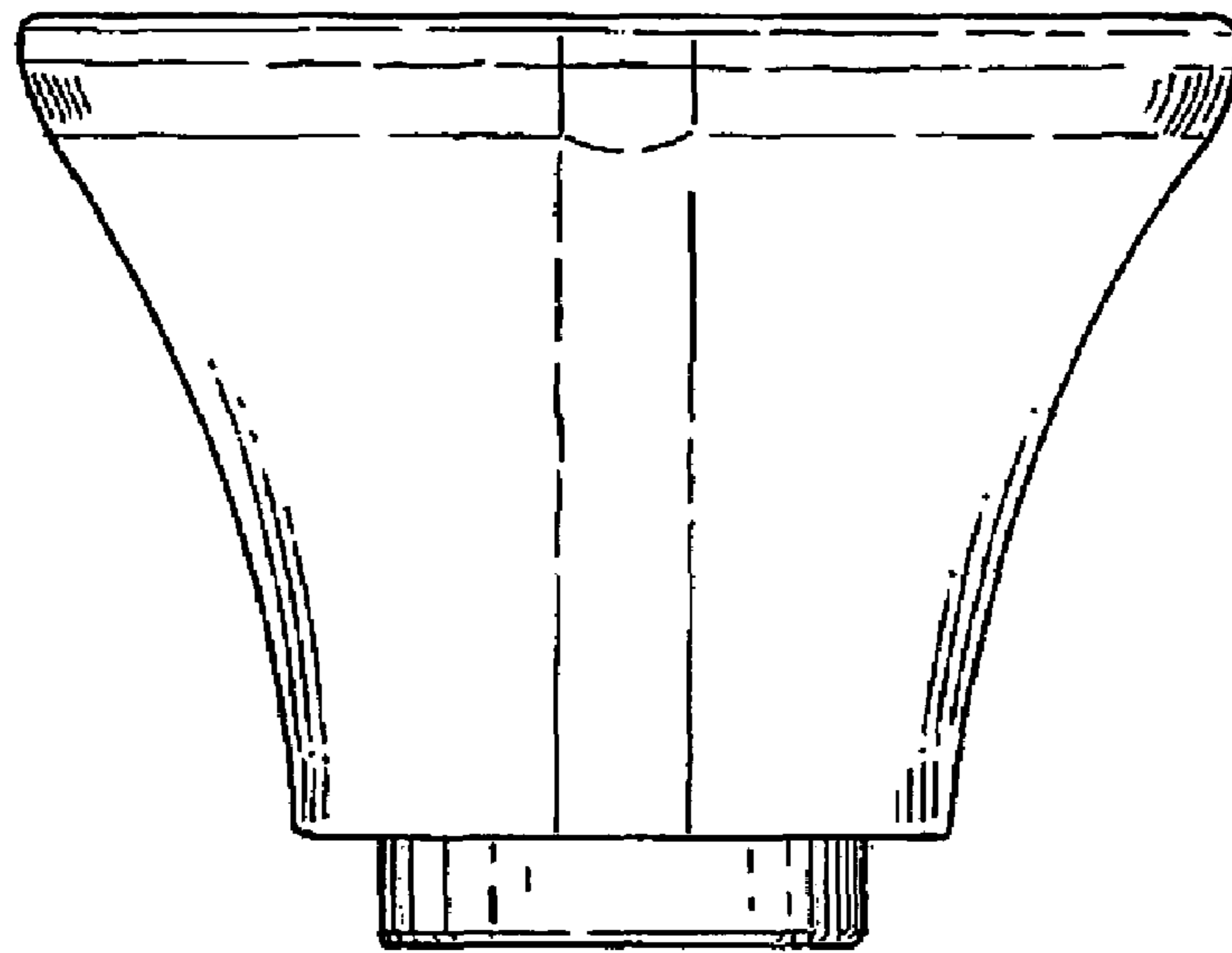


FIG. 5

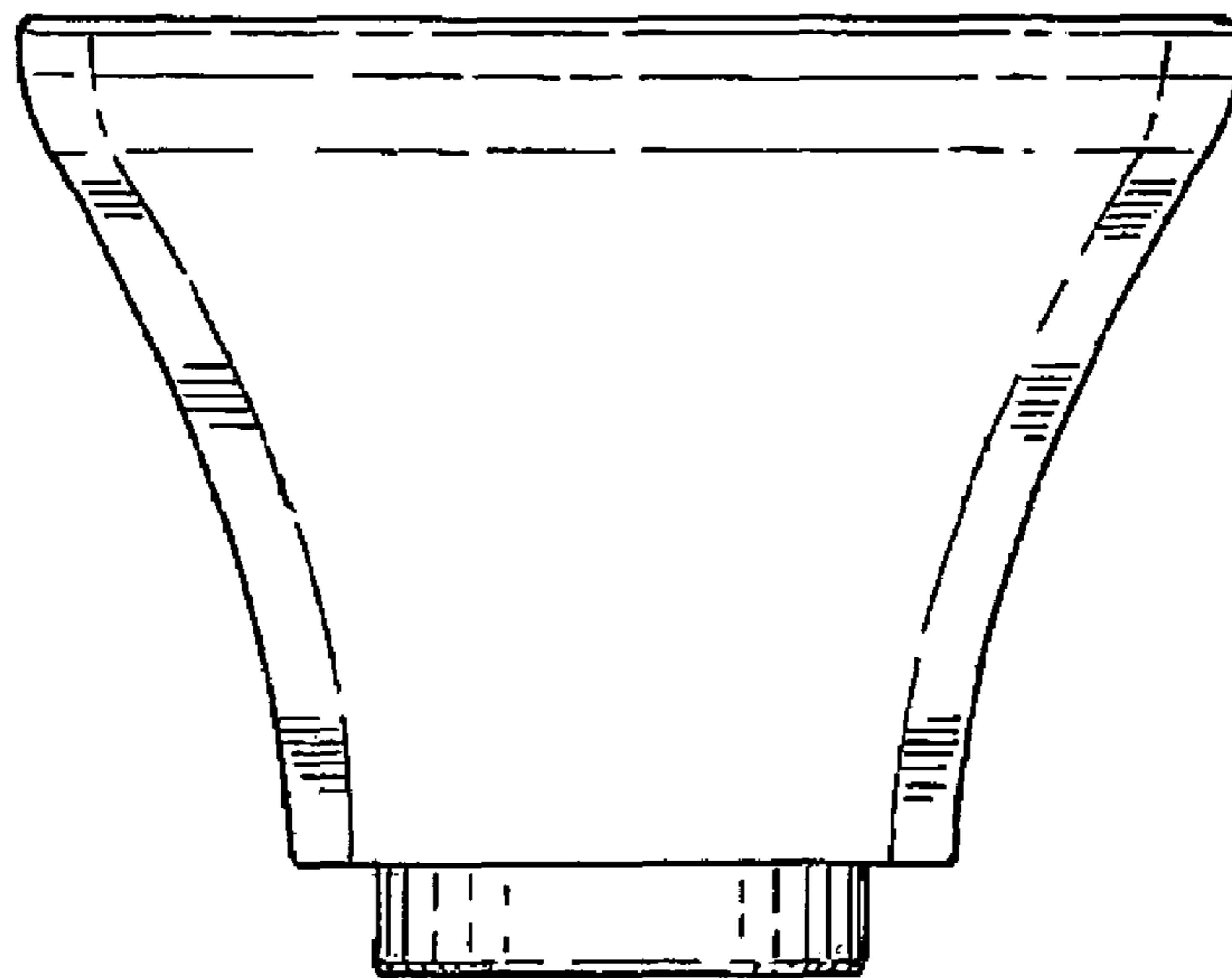


FIG. 6

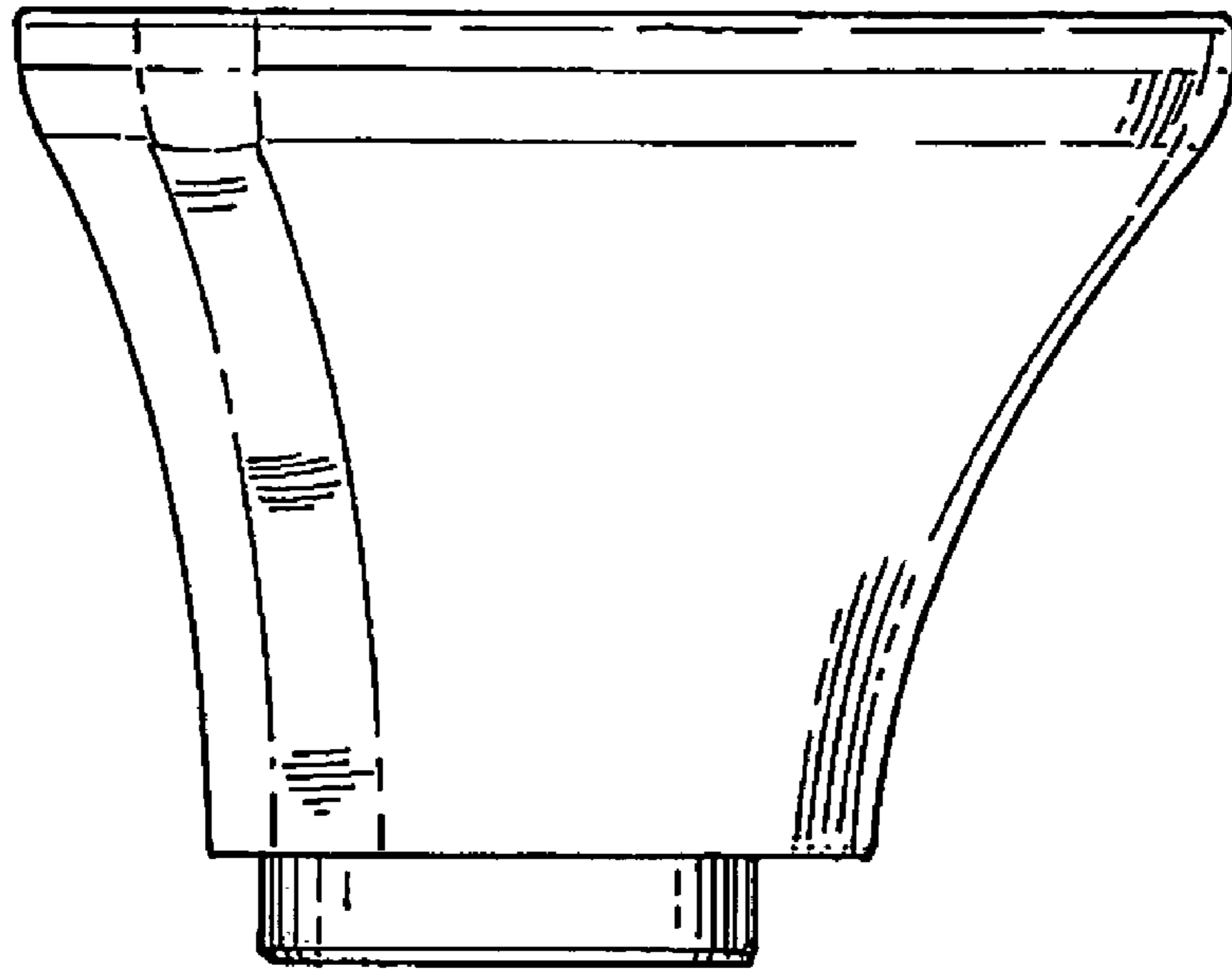


FIG. 7

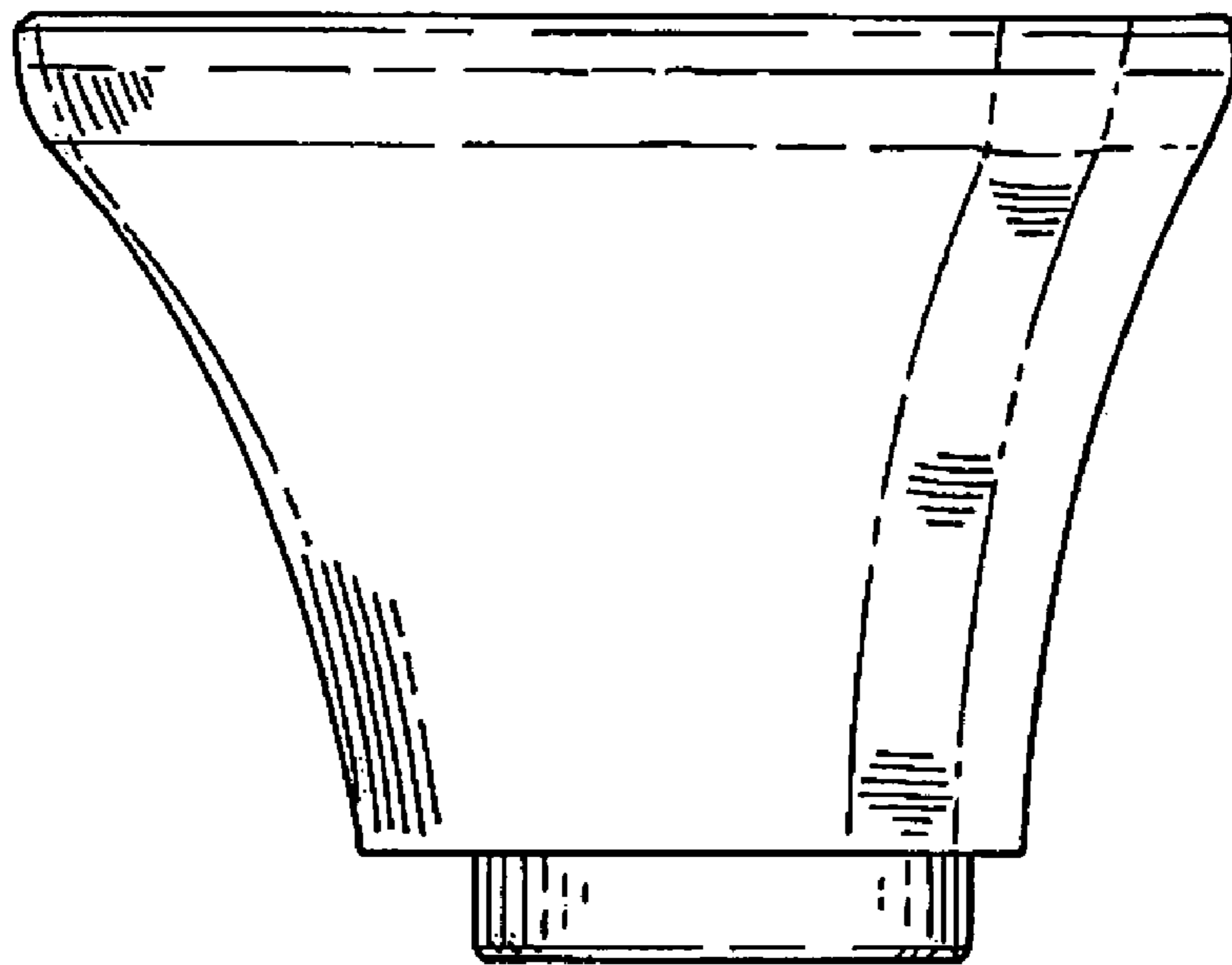


FIG. 8