



US00D586620S

(12) **United States Design Patent**  
**Sands**

(10) **Patent No.:** **US D586,620 S**

(45) **Date of Patent:** **\*\* Feb. 17, 2009**

(54) **MUG WITH RING**

(75) Inventor: **Lenny Sands**, Encino, CA (US)

(73) Assignee: **Homeland Housewares, LLC**, Los Angeles, CA (US)

(\*\*) Term: **14 Years**

(21) Appl. No.: **29/285,453**

(22) Filed: **Mar. 28, 2007**

(51) **LOC (9) Cl.** ..... **07-01**

(52) **U.S. Cl.** ..... **D7/507; D7/536; D7/509**

(58) **Field of Classification Search** ..... D7/500,  
D7/507, 509, 510, 511, 523, 608, 396.6, 396.2,  
D7/536, 533, 622, 532; D34/1; 215/DIG. 7;  
D9/763, 772, 776, 500, 503; D11/152, 143;  
D6/551; D99/25; 220/710.5, 703, 592.16,  
220/592.17; 229/402

See application file for complete search history.

(56) **References Cited**

**U.S. PATENT DOCUMENTS**

D4,225 S *	7/1870	Atterbury	.....	D9/500
D335,382 S *	5/1993	O'Brien	.....	D99/25
D444,702 S *	7/2001	Castleberry, II	.....	D9/746
D500,633 S *	1/2005	Sands	.....	D7/396.2
D519,321 S *	4/2006	Sands	.....	D7/523
D521,802 S *	5/2006	Sands	.....	D7/396.2
D553,909 S *	10/2007	Bodum	.....	D7/523
D560,972 S *	2/2008	Sung	.....	D7/536
D565,412 S *	4/2008	Fuller	.....	D9/503
D570,648 S *	6/2008	Bodum	.....	D7/510

2004/0045972 A1 *	3/2004	Stokes	.....	220/592.17
2005/0112024 A1 *	5/2005	Guo et al.	.....	422/61
2005/0194342 A1 *	9/2005	Nhan et al.	.....	215/11.3

\* cited by examiner

*Primary Examiner*—Philip S Hyder

*Assistant Examiner*—Cynthia Underwood

(74) *Attorney, Agent, or Firm*—Cislo & Thomas, LLP

(57) **CLAIM**

The ornamental design for a mug with ring, as shown and described.

**DESCRIPTION**

FIG. 1 is a perspective view of a mug with a ring, in accordance with an embodiment of the present invention.

FIG. 2 is a side view of the mug with the ring of FIG. 1.

FIG. 3 is a front view of the mug with the ring of FIG. 1.

FIG. 4 is a rear view of the mug with the ring of FIG. 1.

FIG. 5 is an opposing side view of the mug with the ring of FIG. 1.

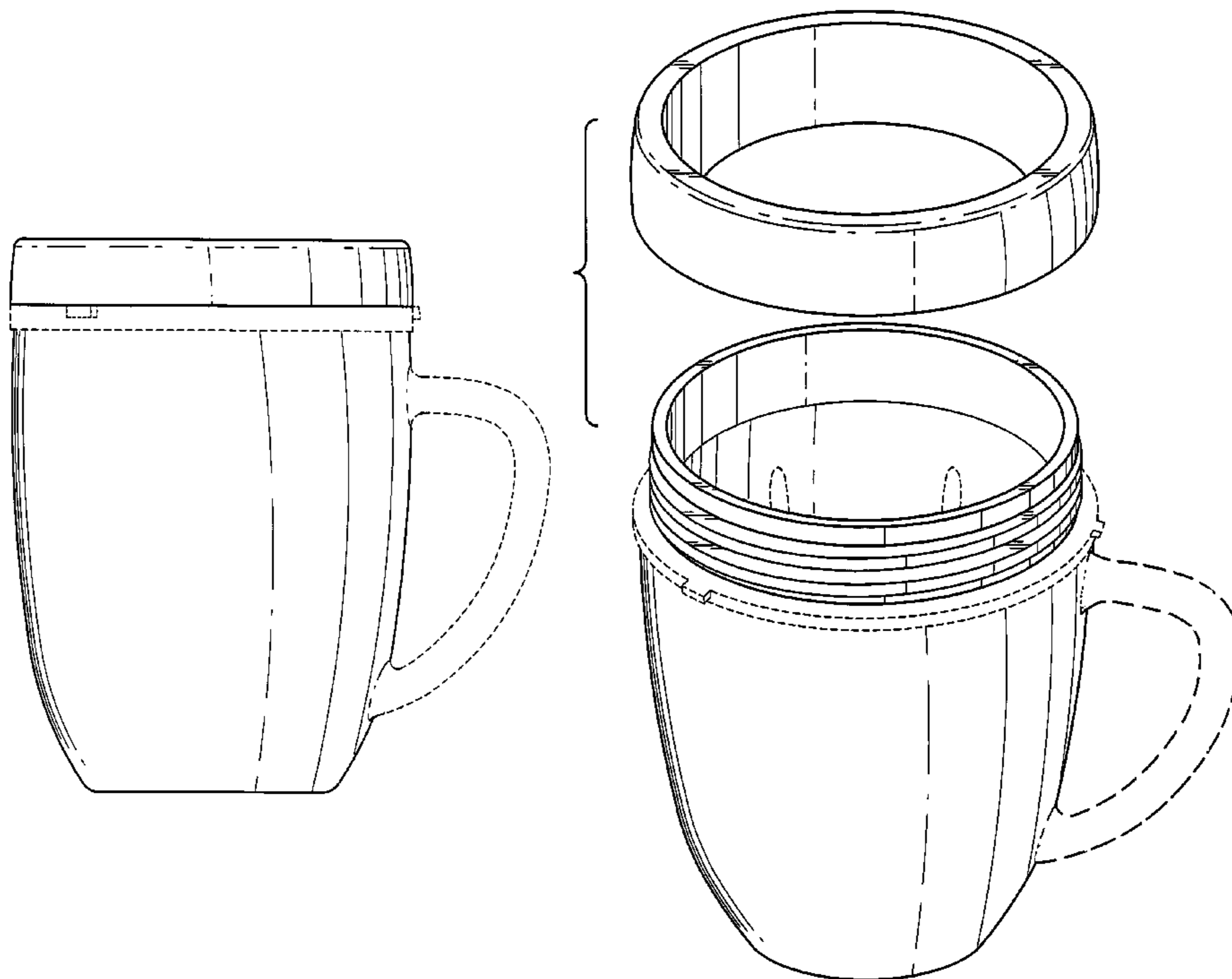
FIG. 6 is a top view of the mug with the ring of FIG. 1.

FIG. 7 is a bottom view of the mug with the ring of FIG. 1; and,

FIG. 8 is an exploded perspective view of the mug with the ring of FIG. 1.

Any broken lines, shown throughout in the drawing figures, are included for the purpose of illustrating environmental structures only and form no part of the claimed design.

**1 Claim, 7 Drawing Sheets**



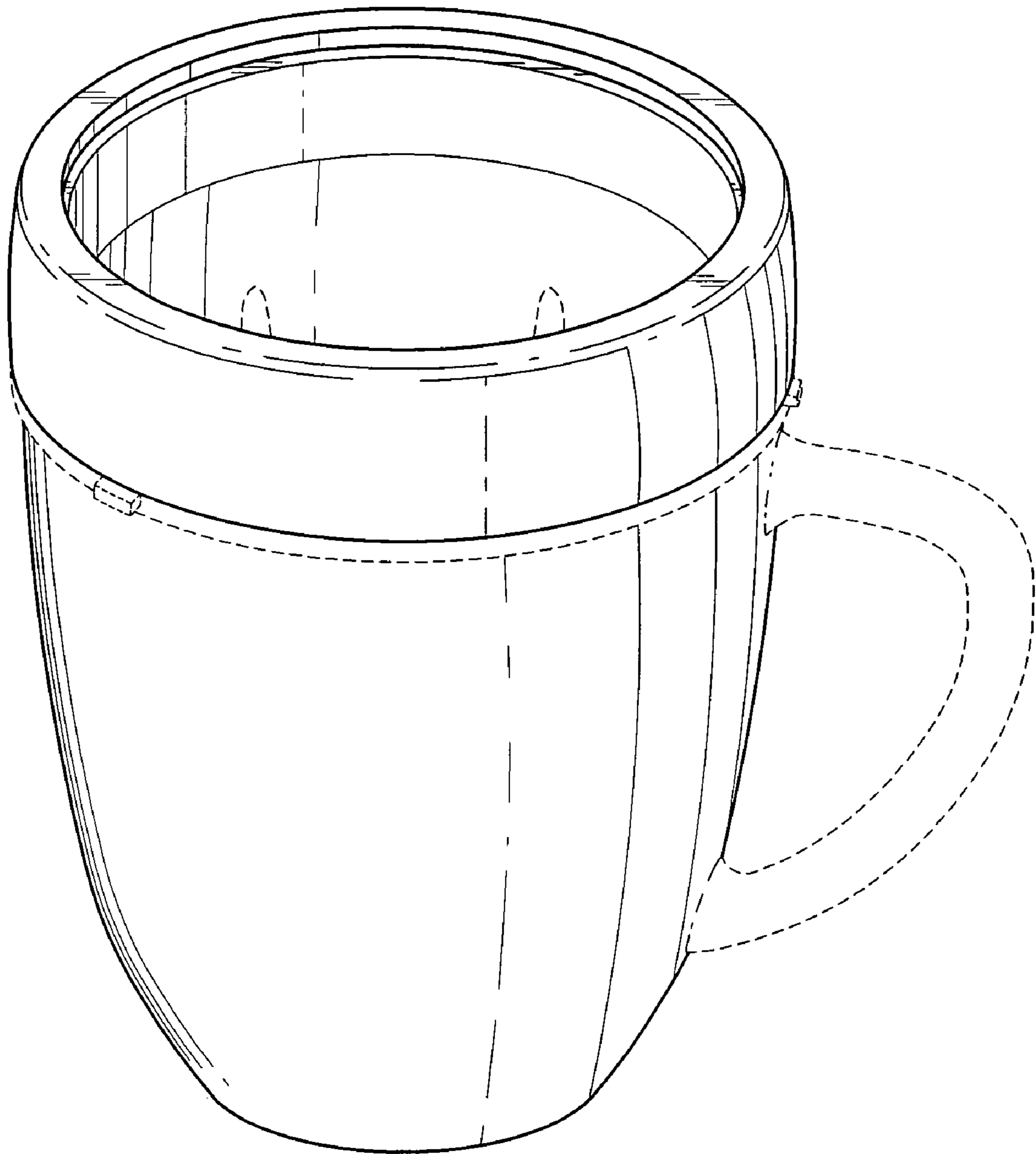


FIG. 1

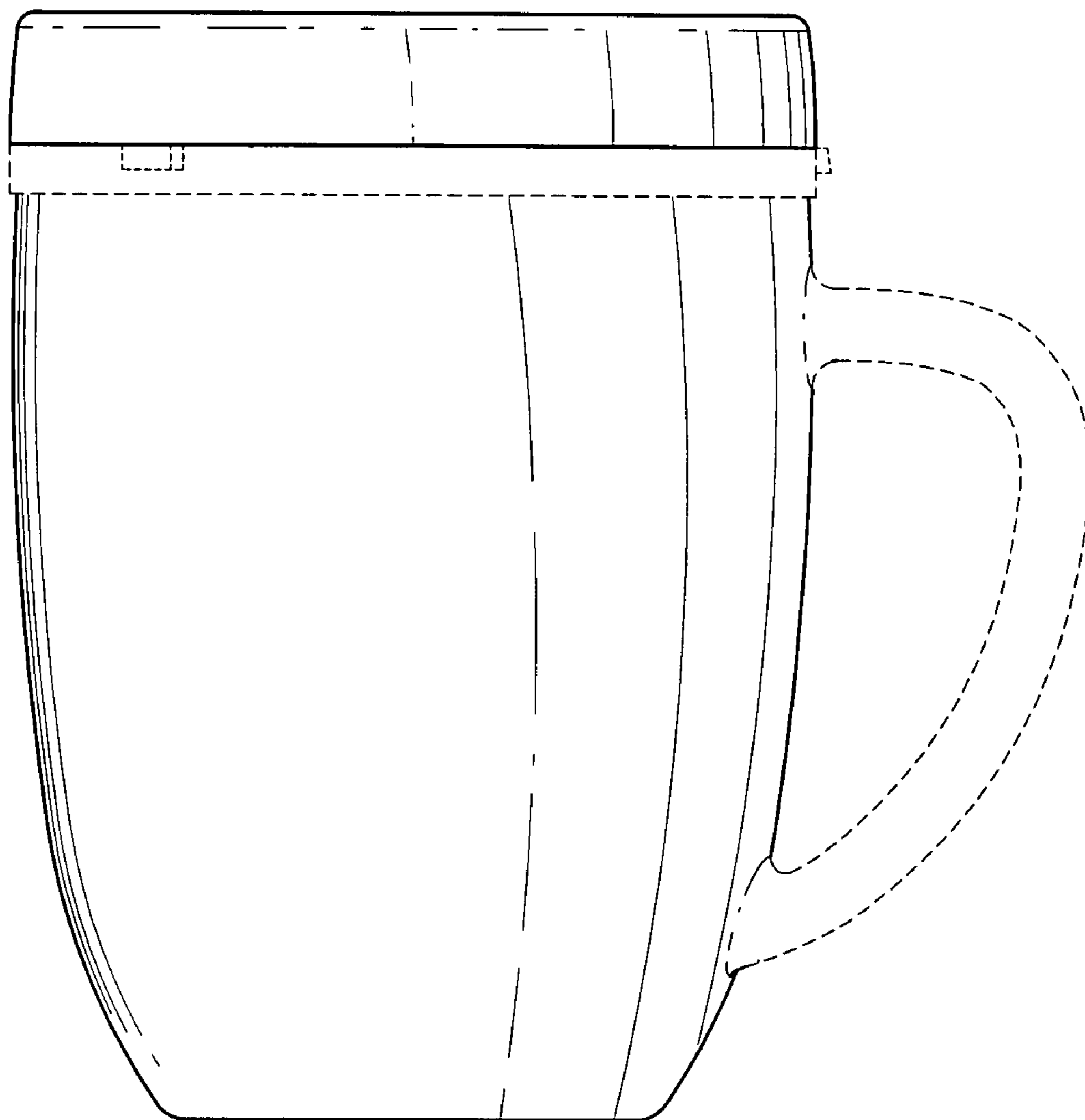
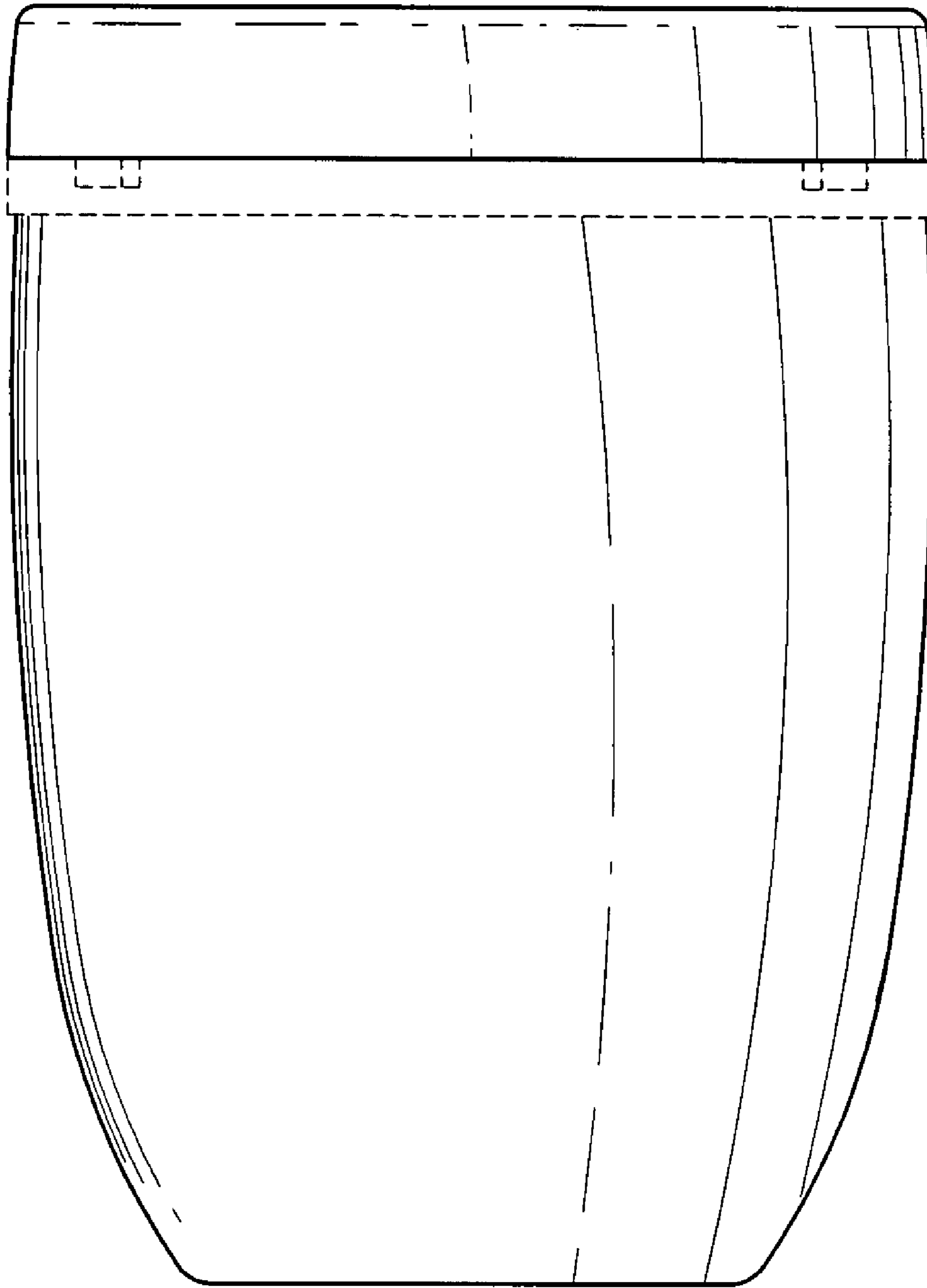


FIG. 2



*FIG. 3*

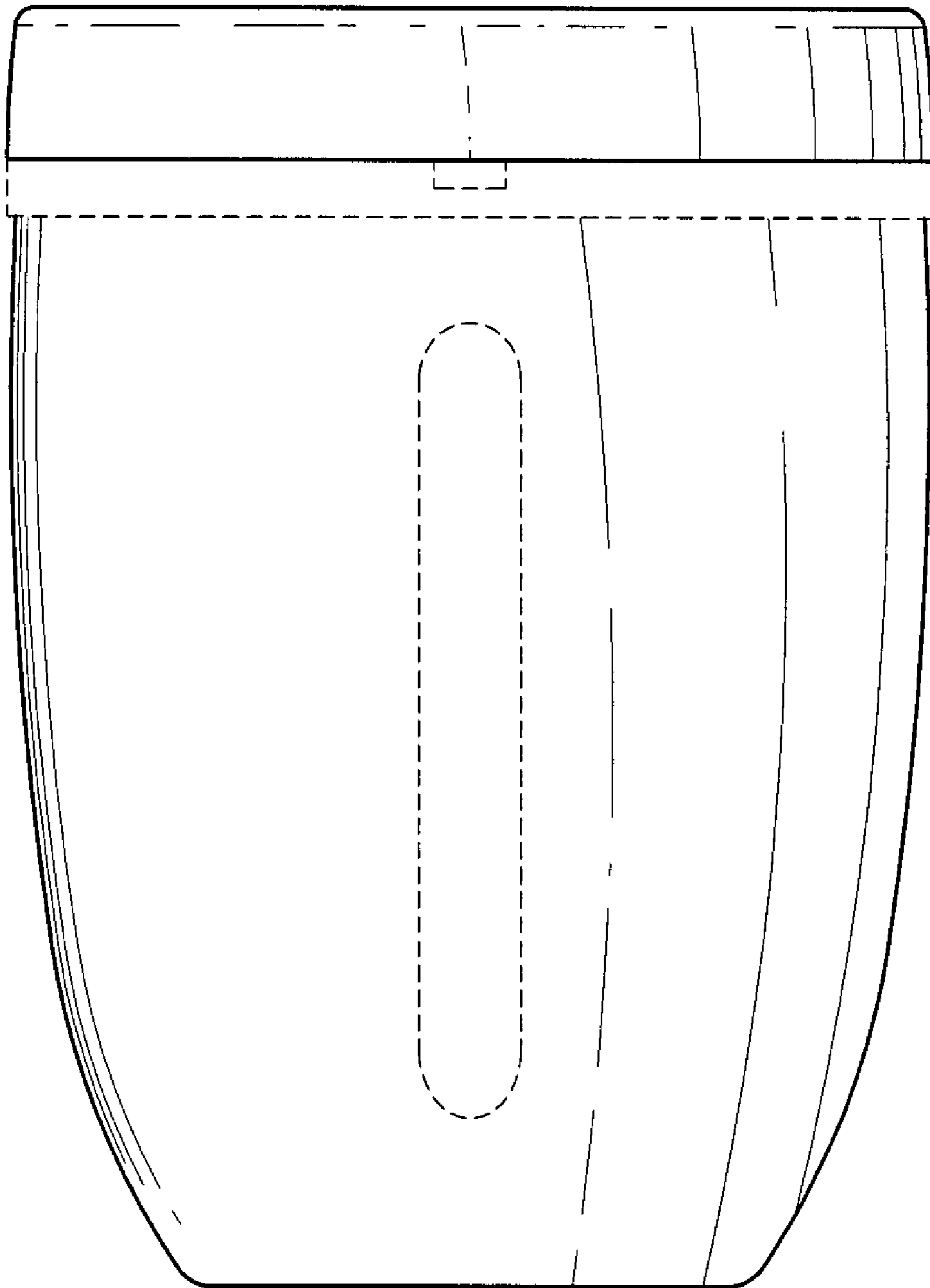


FIG. 4

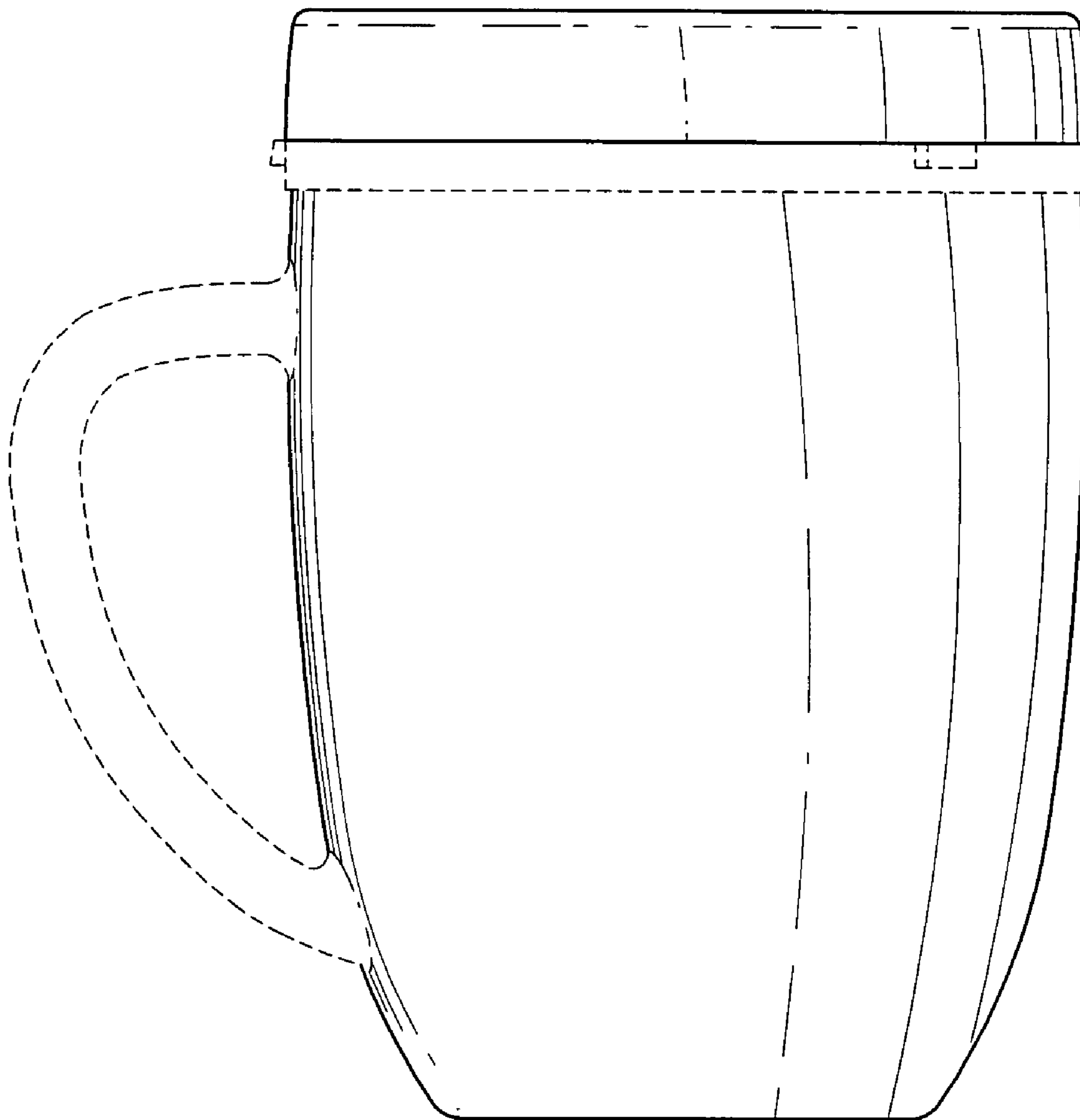


FIG. 5

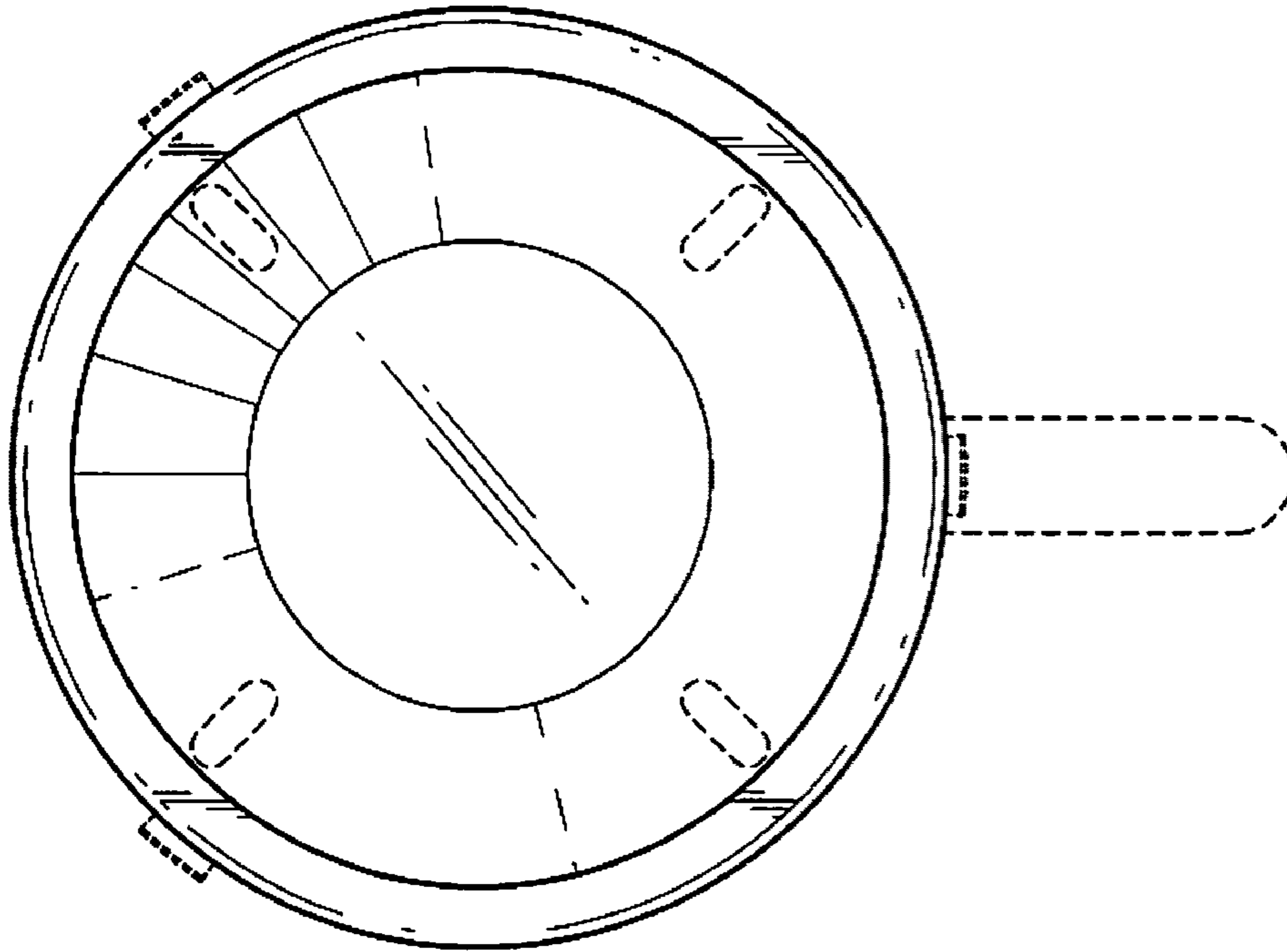


FIG. 6

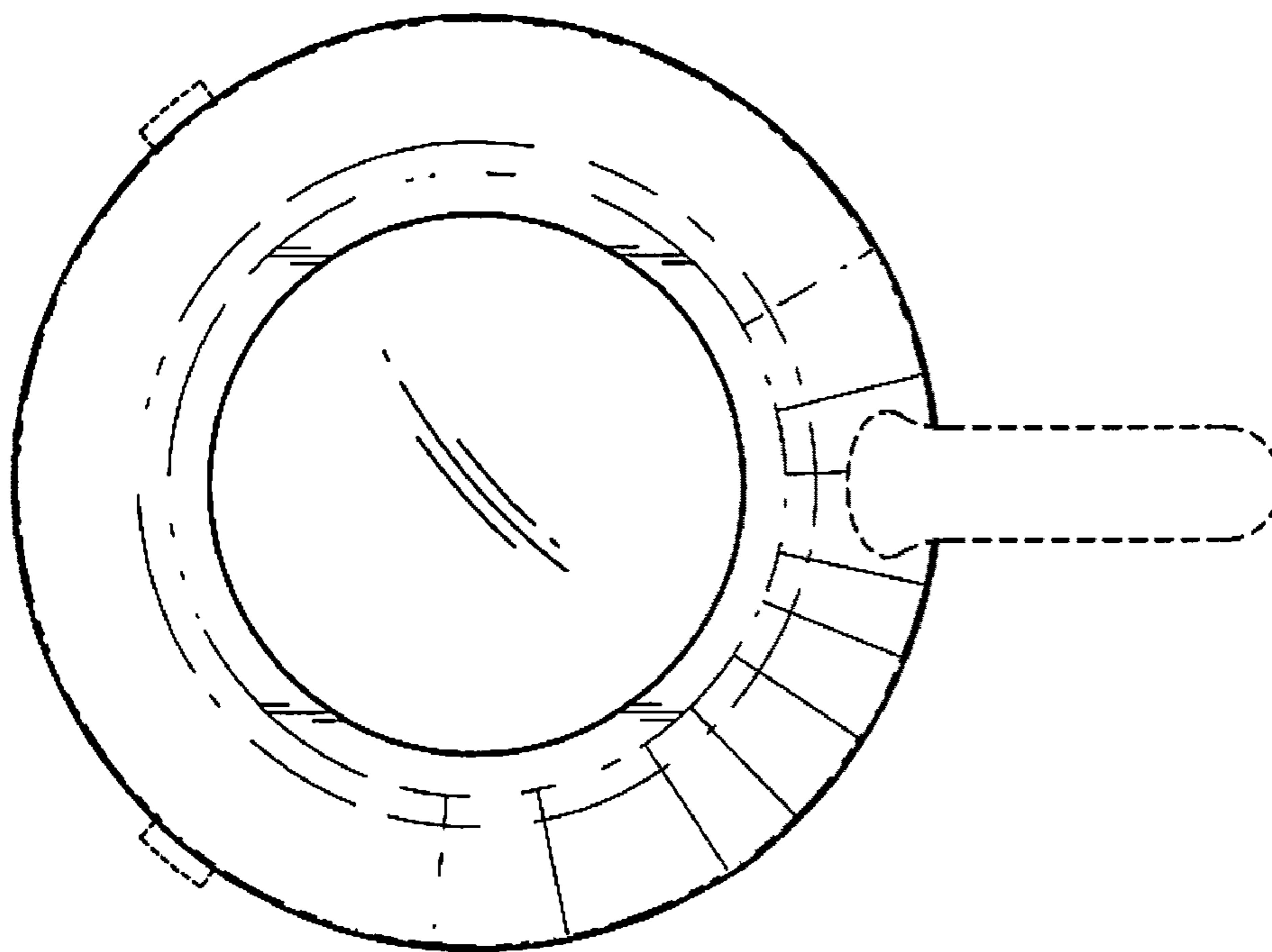


FIG. 7

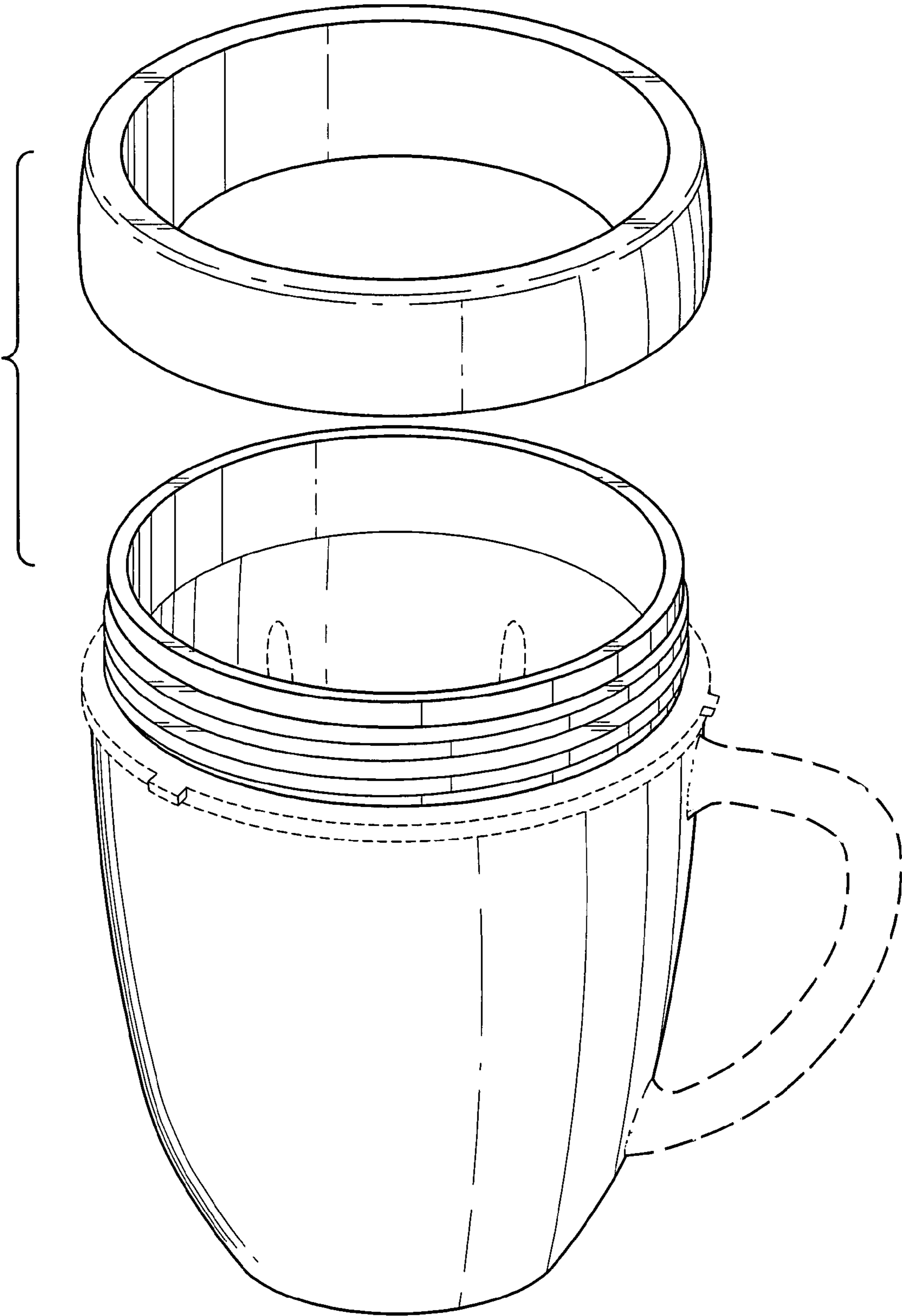


FIG. 8