



US00D586619S

(12) **United States Design Patent**
Pino et al.

(10) **Patent No.:** **US D586,619 S**
(45) **Date of Patent:** **** Feb. 17, 2009**

(54) **TOASTER OVEN**

(75) Inventors: **Giovanni Pino**, Delray Beach, FL (US);
Daniel Sumser, Lake Worth, FL (US);
Jeff Juskowich, Mableton, GA (US);
Maureen Carroll, Atlanta, GA (US);
Shane Byler, Mableton, GA (US)

(73) Assignee: **Sunbeam Products, Inc.**, Boca Raton, FL (US)

(**) Term: **14 Years**

(21) Appl. No.: **29/322,615**

(22) Filed: **Aug. 7, 2008**

(51) **LOC (9) Cl.** **07-02**

(52) **U.S. Cl.** **D7/405**

(58) **Field of Classification Search** D7/350.1–350.4,
D7/351, 402, 405; 126/19 M, 275 R, 275 E,
126/756–758, 386, 387, 21 A; D15/81; 99/327–328,
99/329 R, 331–332, 348, 357, 467, 448, 468,
99/483, 339; 366/98, 146; 219/393
See application file for complete search history.

(56) **References Cited**

U.S. PATENT DOCUMENTS

D380,643 S * 7/1997 Piret D7/350.4
D412,637 S * 8/1999 Piret D7/350.4
D420,245 S * 2/2000 De'Longhi D7/350.4

D447,905 S * 9/2001 Smith-Berry et al. D7/350.4
D455,046 S * 4/2002 Hwang D7/405
D463,198 S * 9/2002 Nishikawa D7/351
D481,582 S * 11/2003 Seum et al. D7/350.1
D489,934 S * 5/2004 Sagawa et al. D7/351
D495,556 S * 9/2004 Milrud et al. D7/405
D521,799 S * 5/2006 Ledingham et al. D7/350.1
D567,013 S * 4/2008 Choya D7/350.1
D568,675 S * 5/2008 Kawata D7/350.1

* cited by examiner

Primary Examiner—Ruth McInroy

(74) *Attorney, Agent, or Firm*—Seth M. Blum

(57) **CLAIM**

The ornamental design for a toaster oven, as shown and described.

DESCRIPTION

FIG. 1 is a top front right perspective view of the toaster oven showing the new design;

FIG. 2 is a left side elevation view thereof;

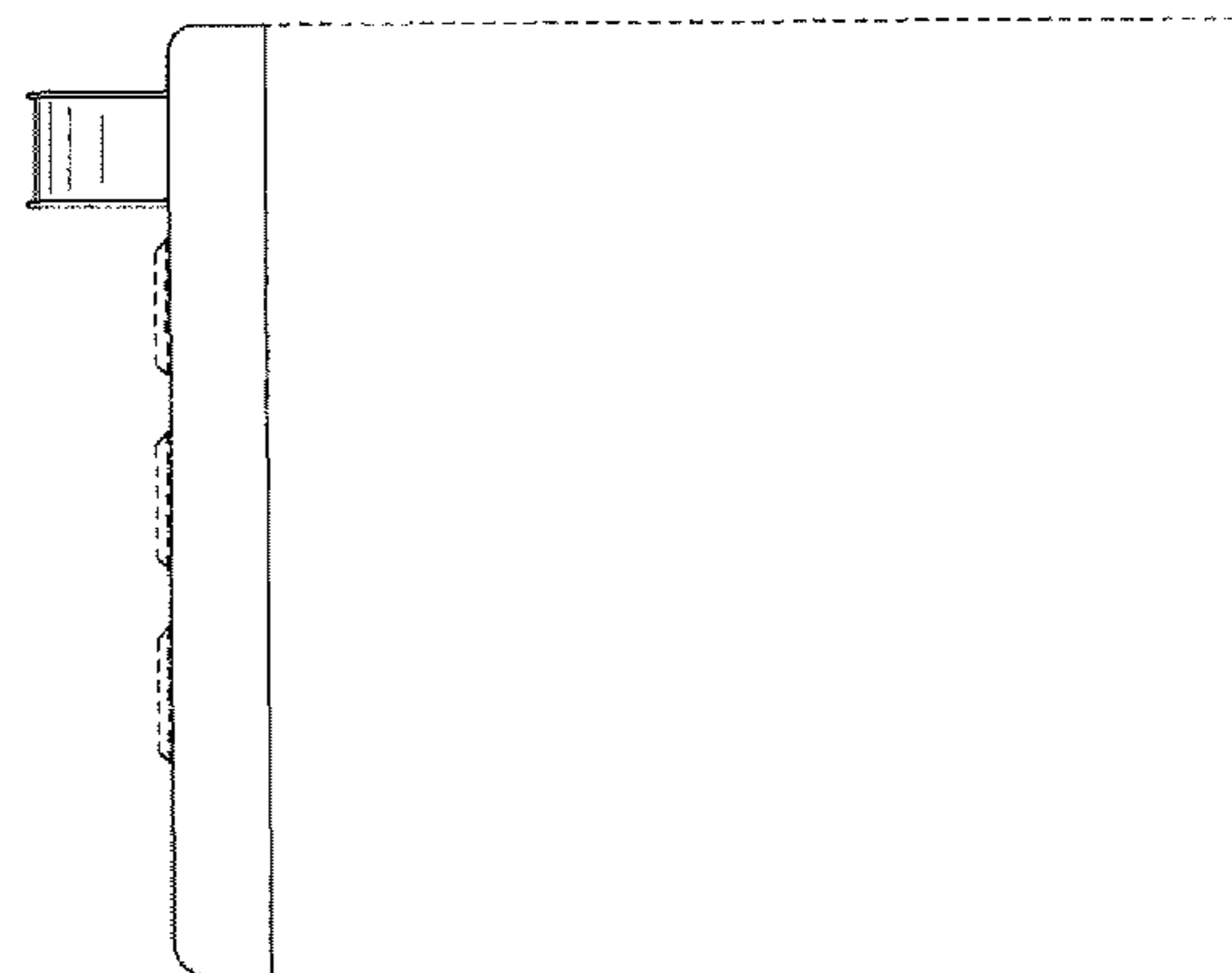
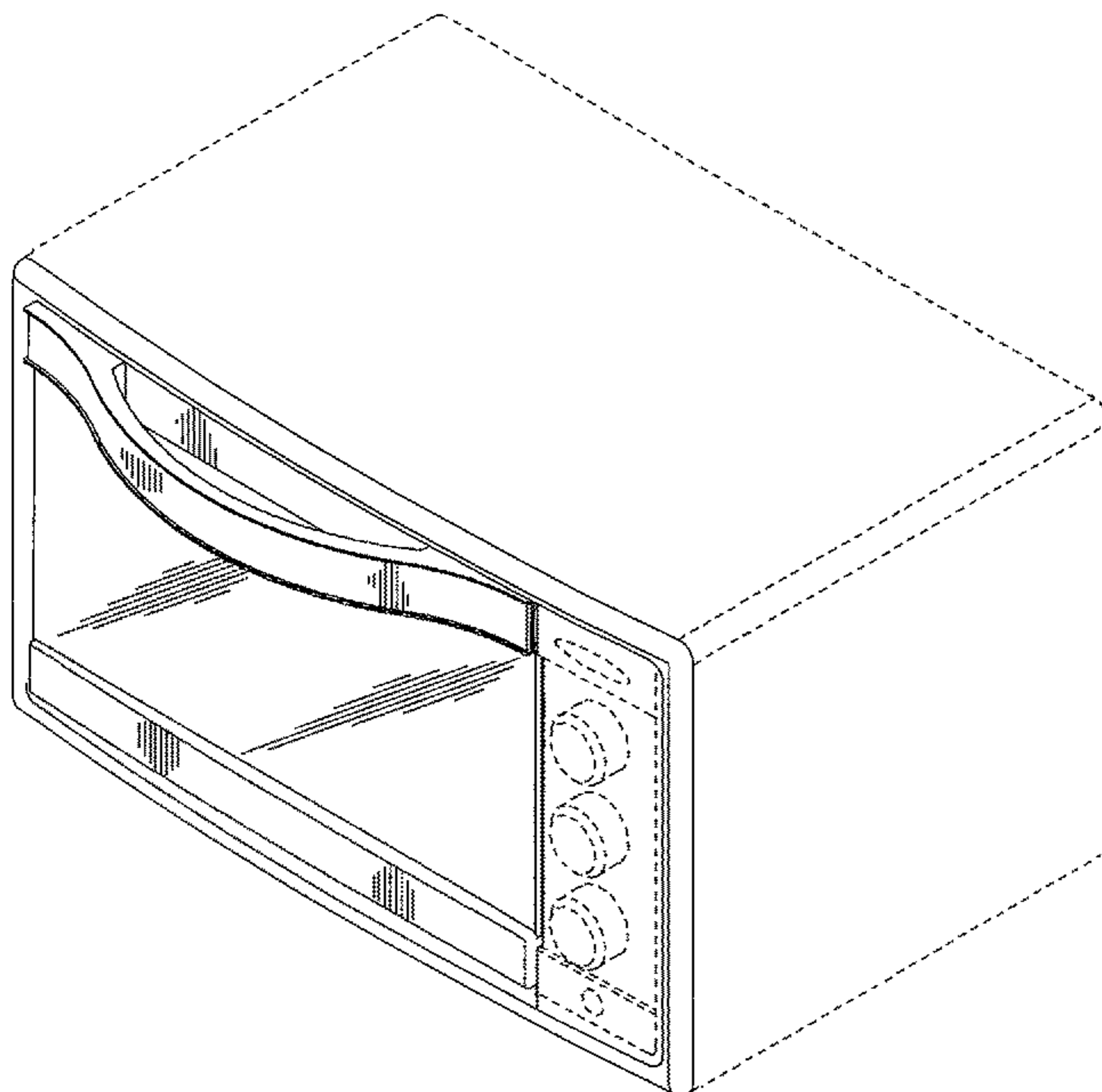
FIG. 3 is a front elevation view thereof;

FIG. 4 is a right side elevation view thereof; and,

FIG. 5 is a top plan view thereof.

The broken lines in the drawings are for illustrative purposes only and form no part of the claimed design.

1 Claim, 5 Drawing Sheets



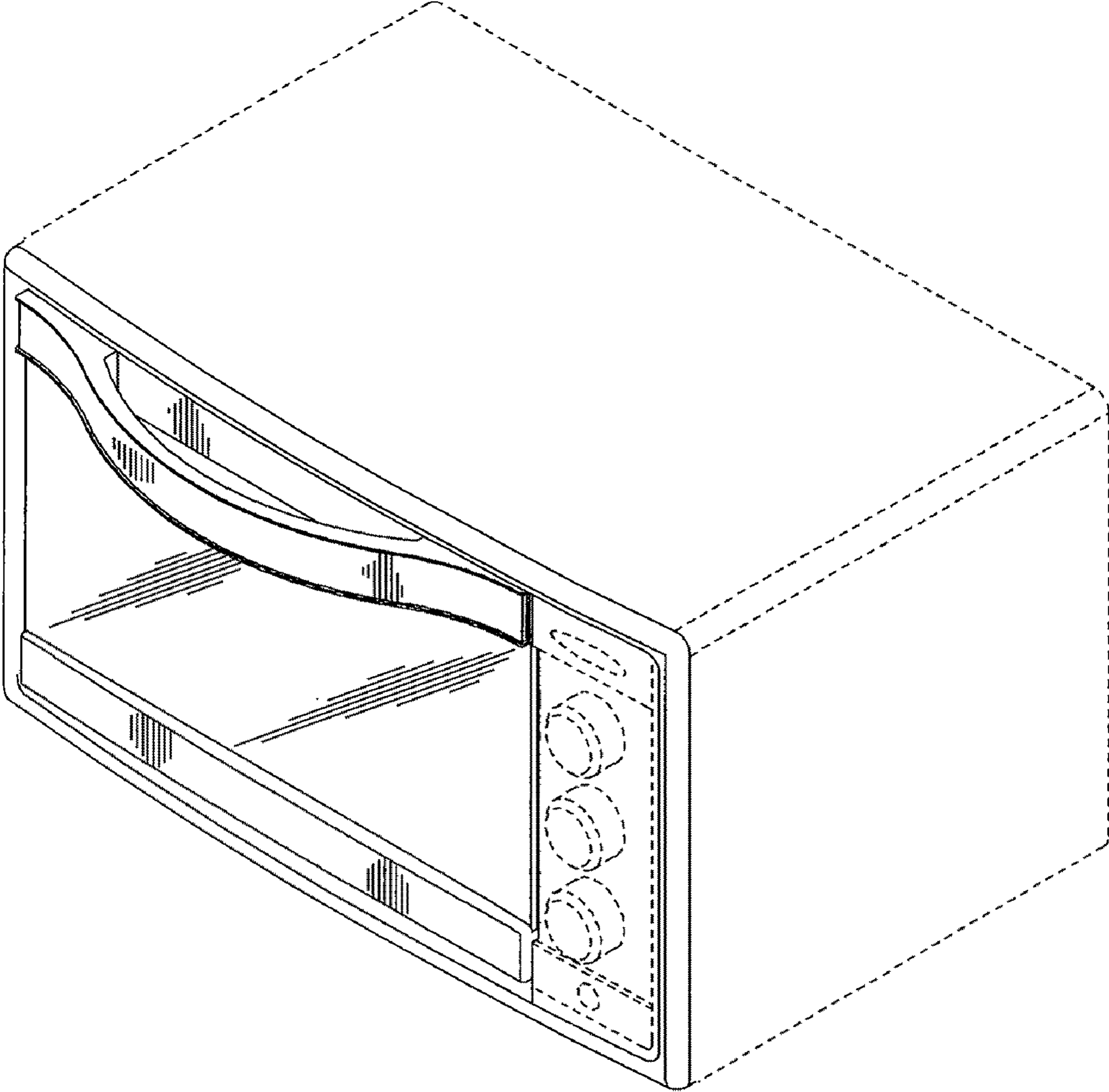


FIG 1

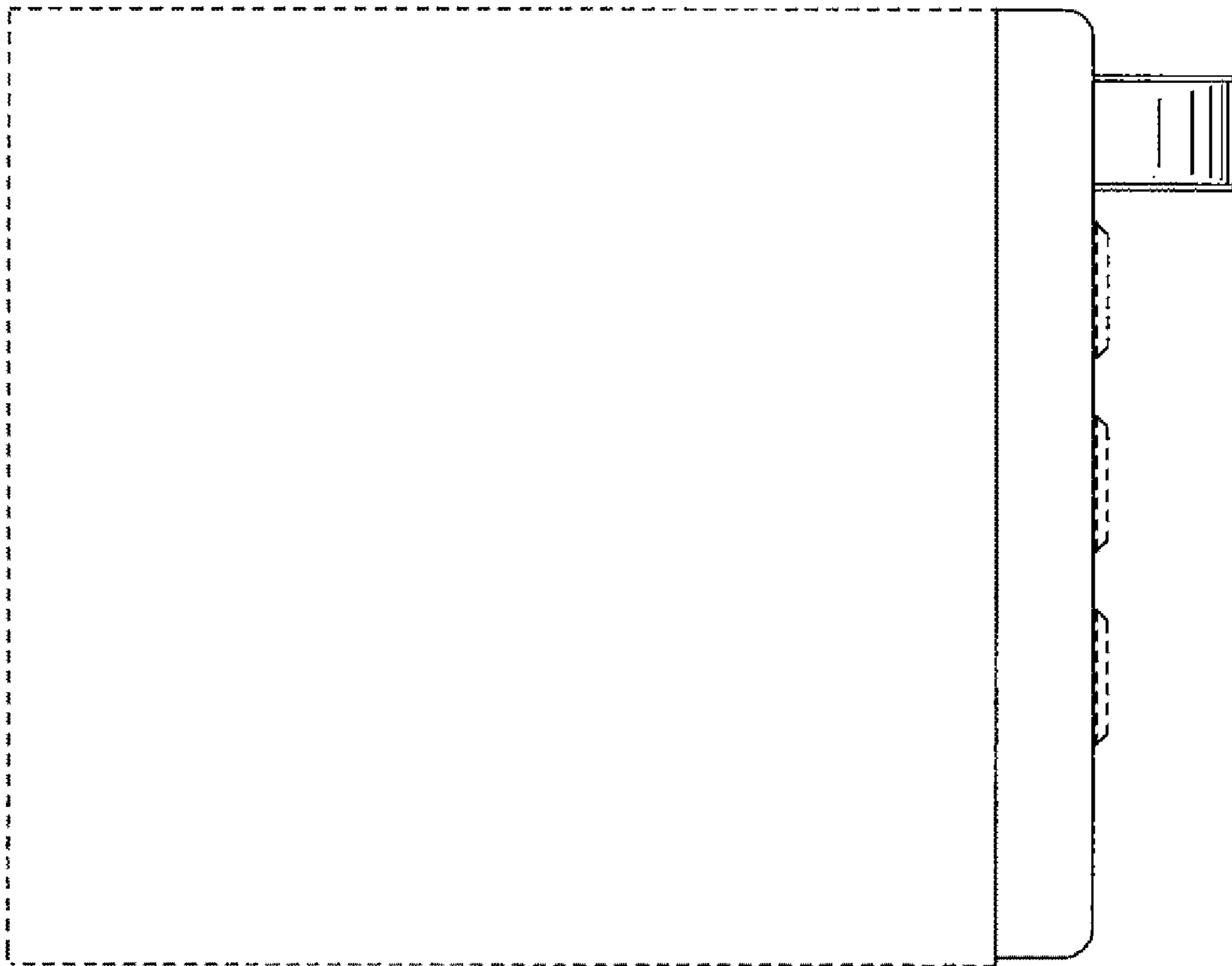


FIG 2

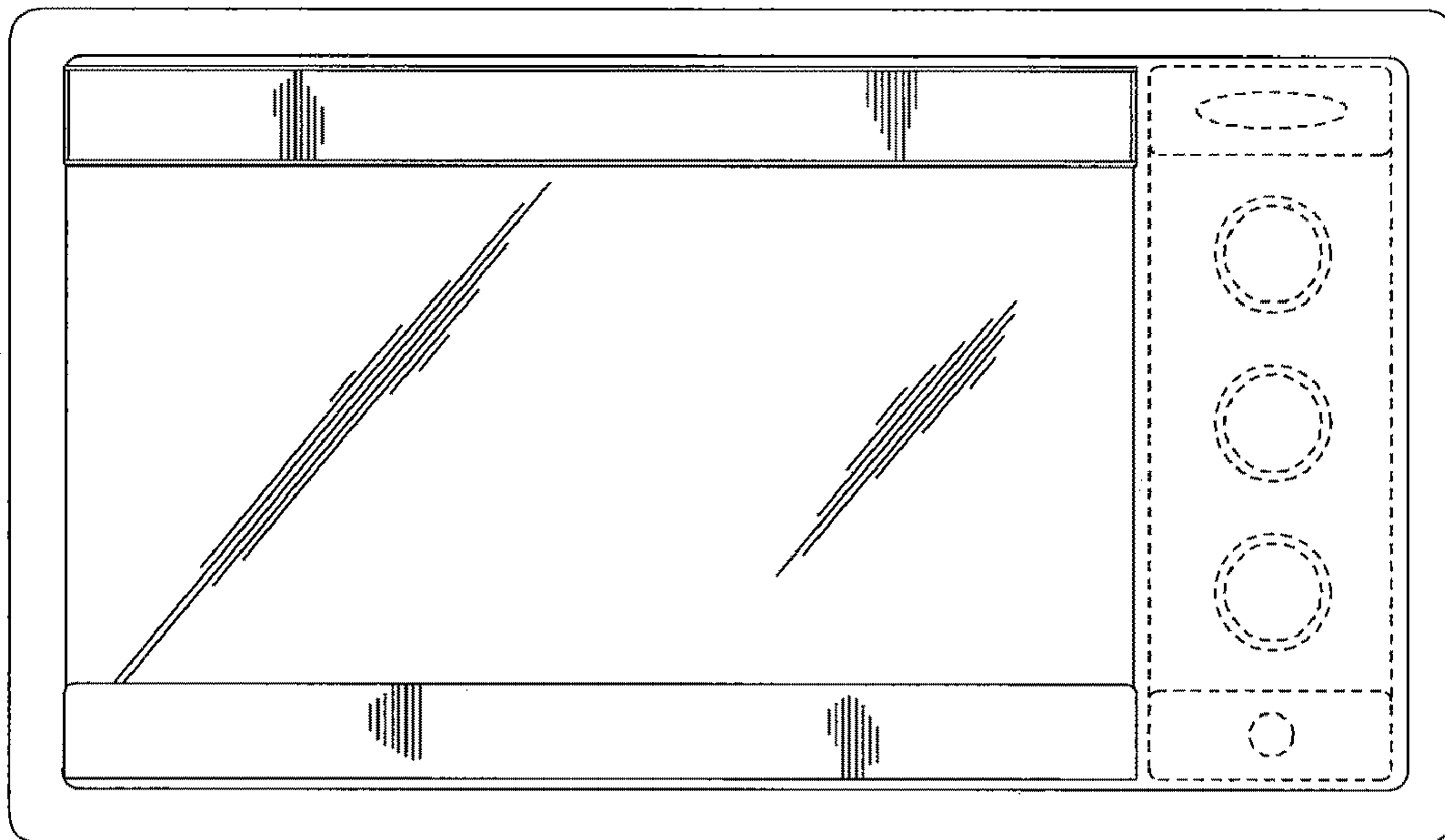


FIG 3

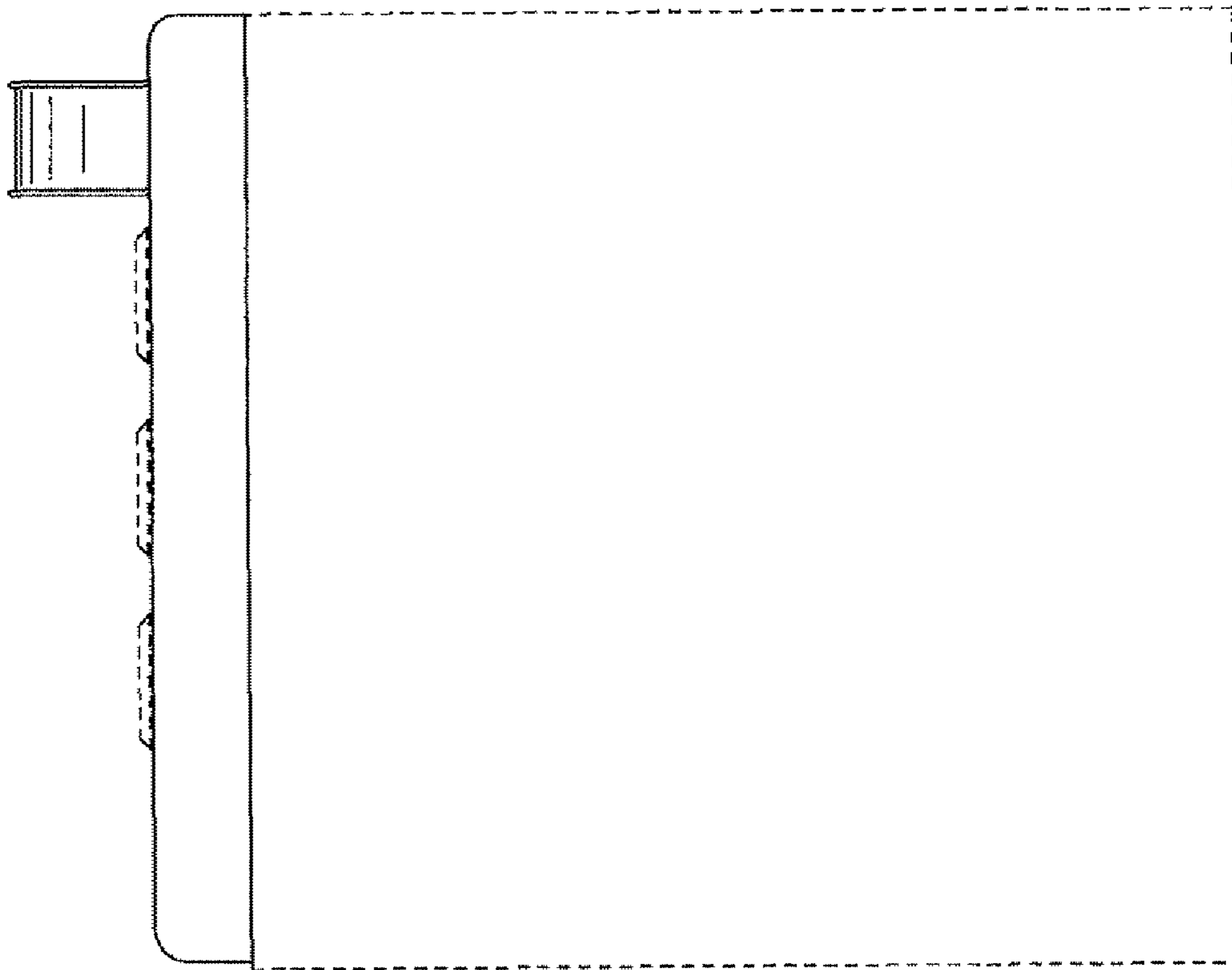


FIG 4

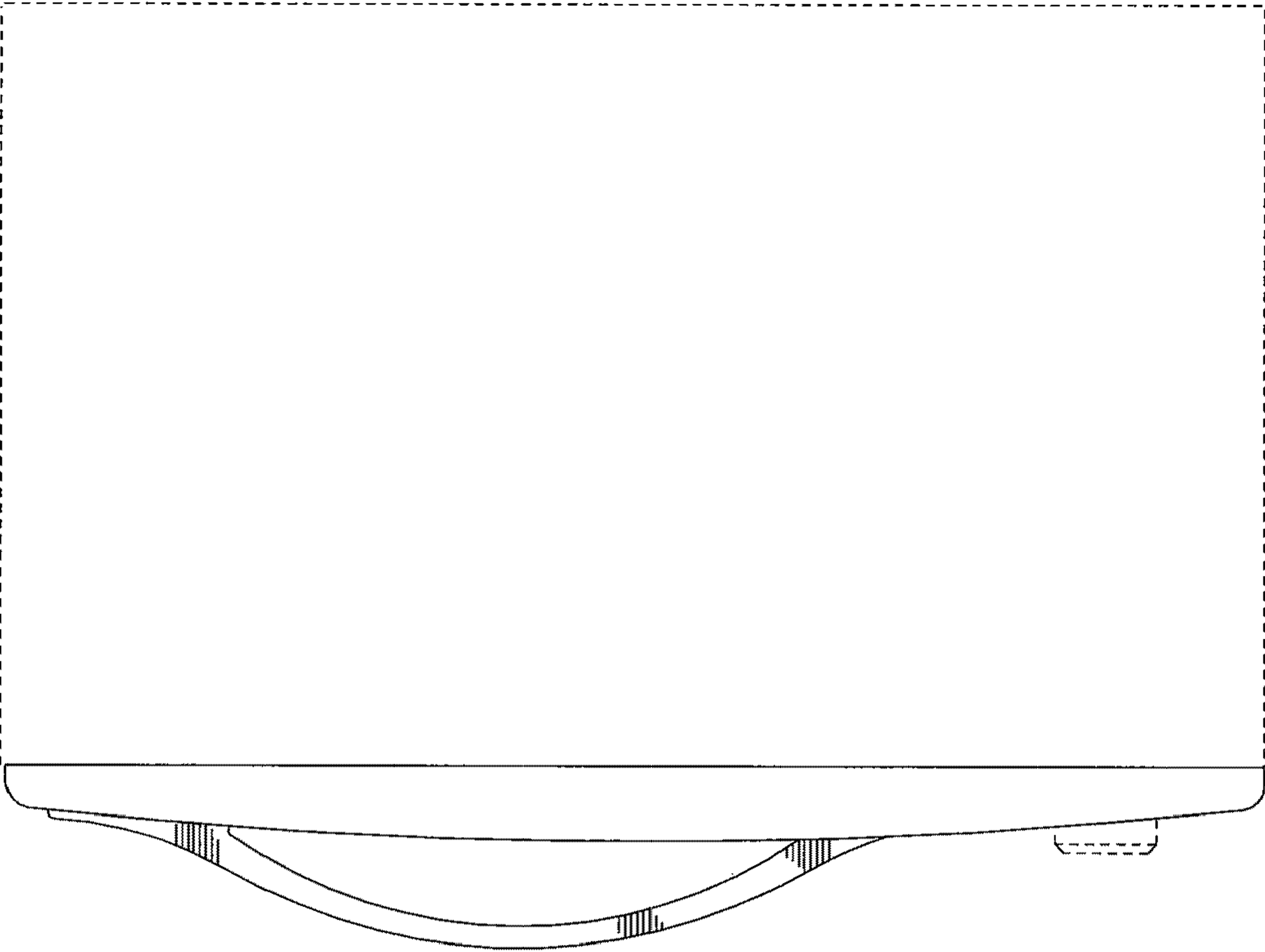


FIG 5