



US00D586618S

(12) **United States Design Patent**
Cutino

(10) **Patent No.:** **US D586,618 S**
(45) **Date of Patent:** **** Feb. 17, 2009**

(54) **OVEN**

D516,862 S * 3/2006 Grutzke et al. D7/405
D534,035 S * 12/2006 Huxhold et al. D7/405
D538,105 S * 3/2007 Huxhold et al. D7/405

(75) Inventor: **Marcello Cutino**, Marano di Valpolicella
(IT)

(73) Assignee: **Glem Gas S.p.A.**, San Cesario Sul
Panaro (IT)

* cited by examiner

Primary Examiner—Catherine R Oliver
(74) *Attorney, Agent, or Firm*—Dykema Gossett PLLC

(**) Term: **14 Years**

(21) Appl. No.: **29/309,128**

(57) **CLAIM**

(22) Filed: **Jun. 25, 2008**

The ornamental design for an oven, as shown and described.

(30) **Foreign Application Priority Data**

Jan. 30, 2008 (EM) 000868914-0005

DESCRIPTION

(51) **LOC (9) Cl.** **07-02**

FIG. 1 is a perspective view of an oven showing my ornamental design,

(52) **U.S. Cl.** **D7/405**

FIG. 2 is a front elevational view thereof,

(58) **Field of Classification Search** D7/405,
D7/340–349, 350, 350.1, 350.2, 350.3, 350.4,
D7/351, 339; 126/200, 1 R, 190, 198, 273 A,
126/273 R; 219/214, 443.1, 444.1, 448.11,
219/460.1

FIG. 3 is a right side elevational view thereof,

FIG. 4 is a left side elevational view thereof; and,

See application file for complete search history.

FIG. 5 is a top plan view thereof, a bottom plan view being a mirror image.

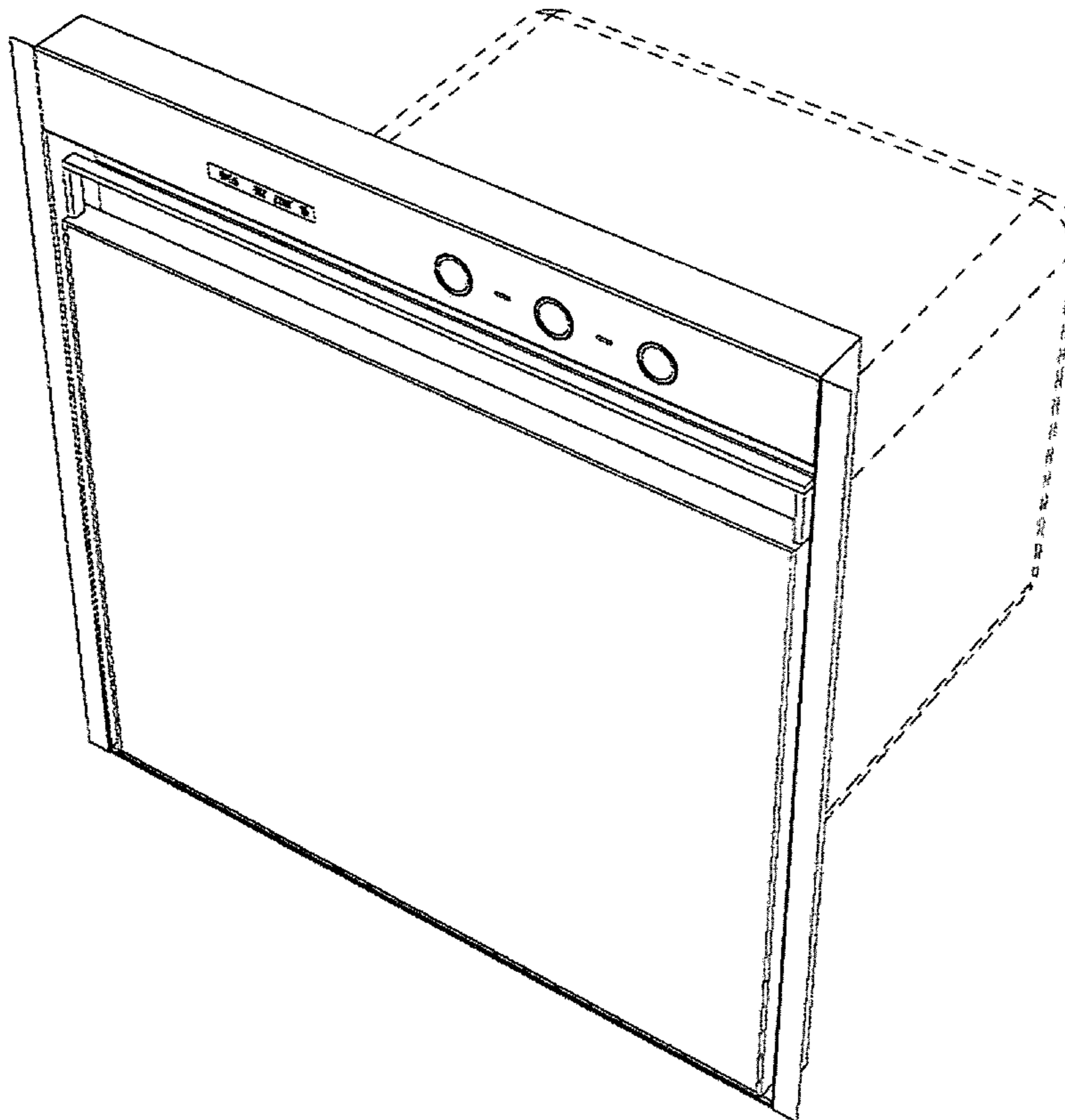
The broken line showing of environment in the drawings is included for the purpose of illustrating only and forms no part of the claimed design.

(56) **References Cited**

U.S. PATENT DOCUMENTS

D443,178 S * 6/2001 Segers D7/405

1 Claim, 5 Drawing Sheets



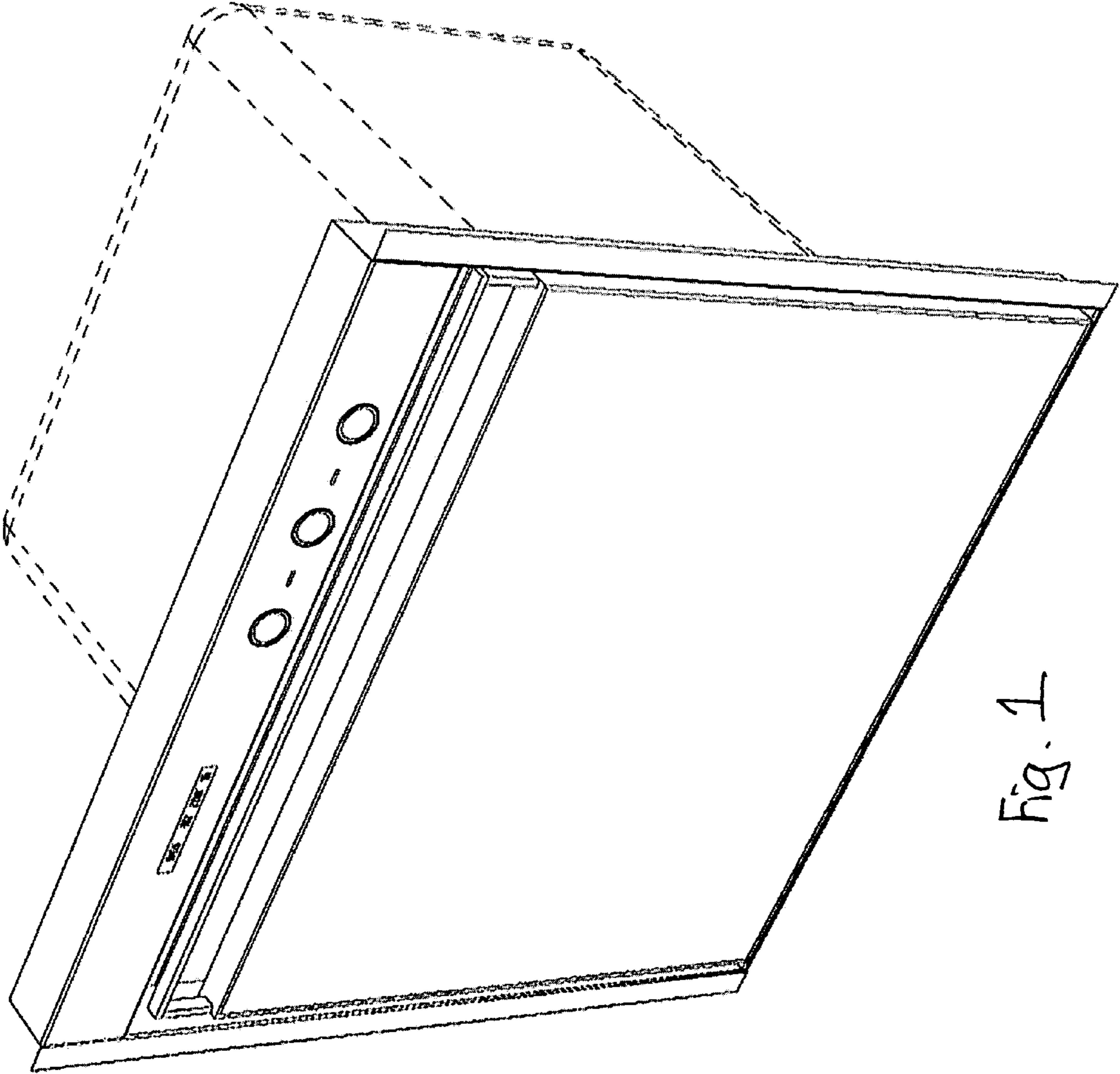


Fig. 1

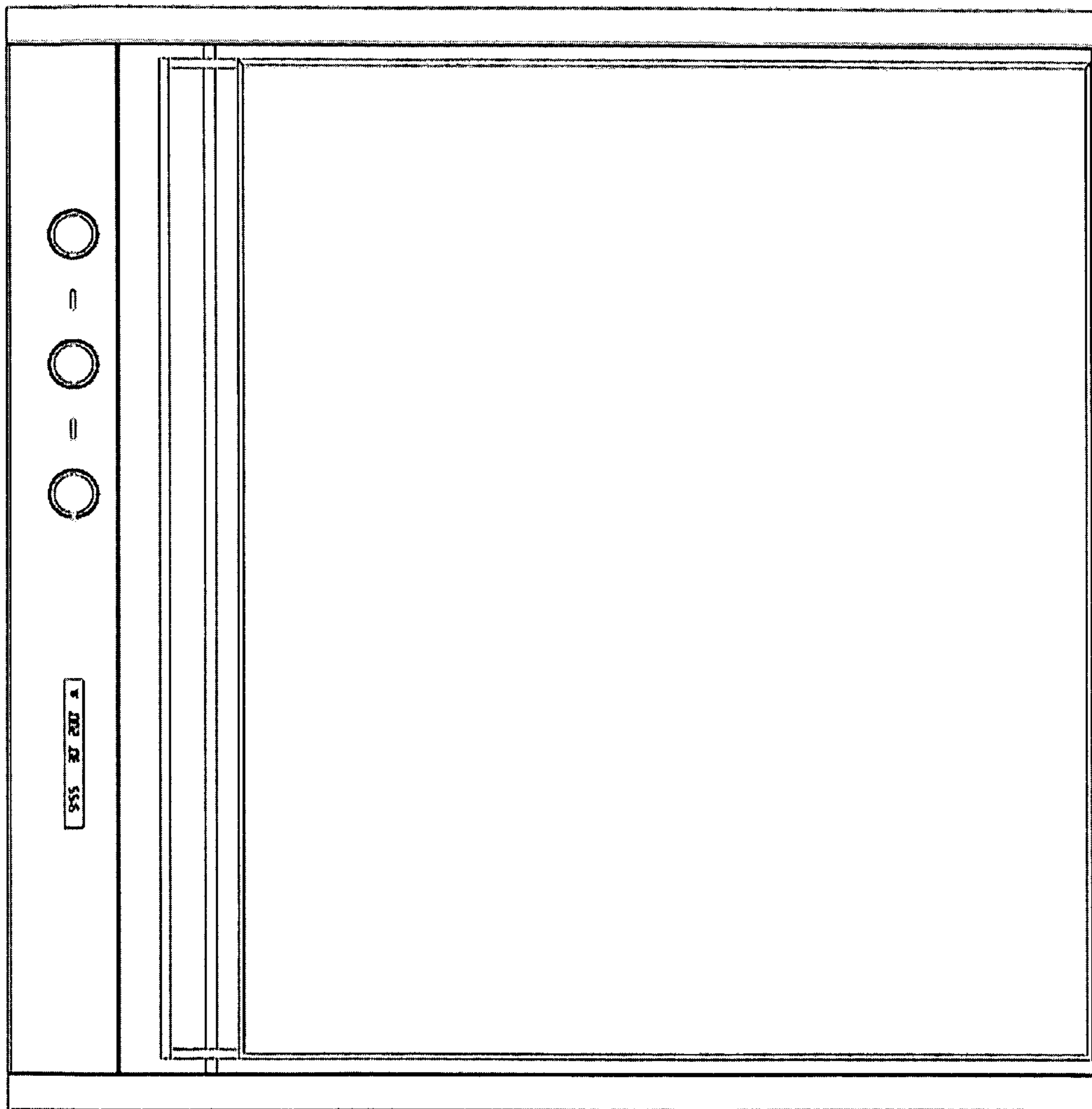


Fig. 2

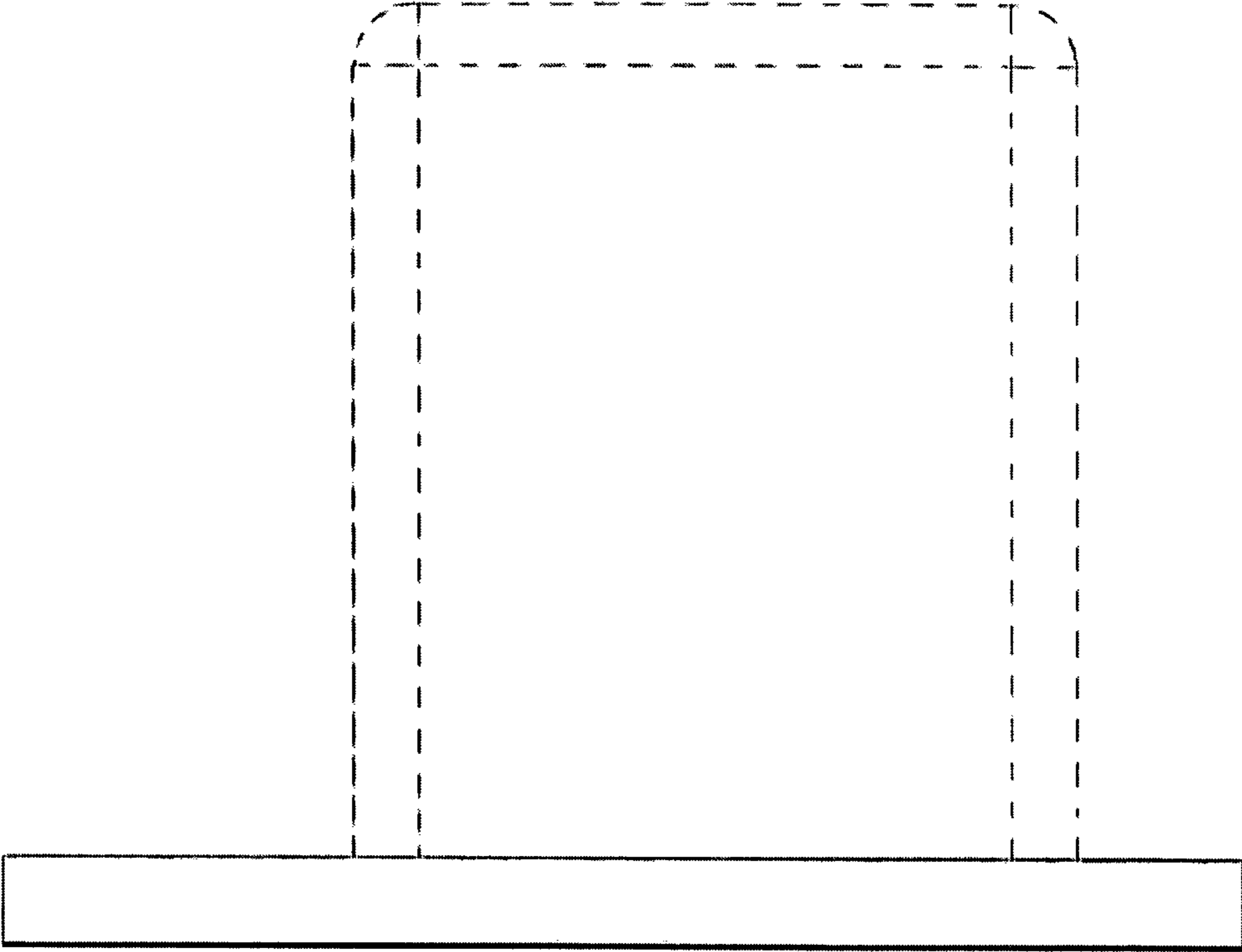


Fig. 3

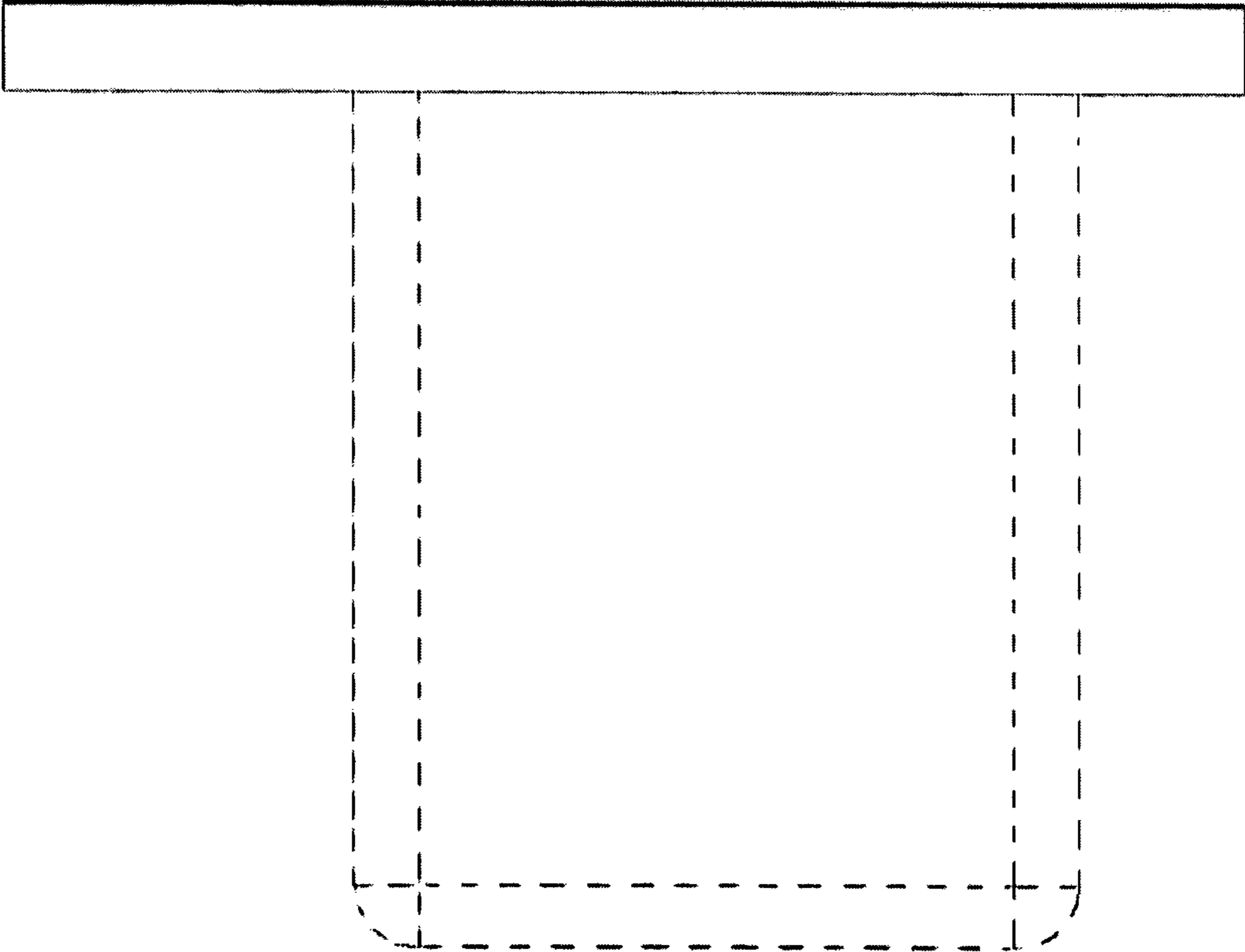


Fig. 4

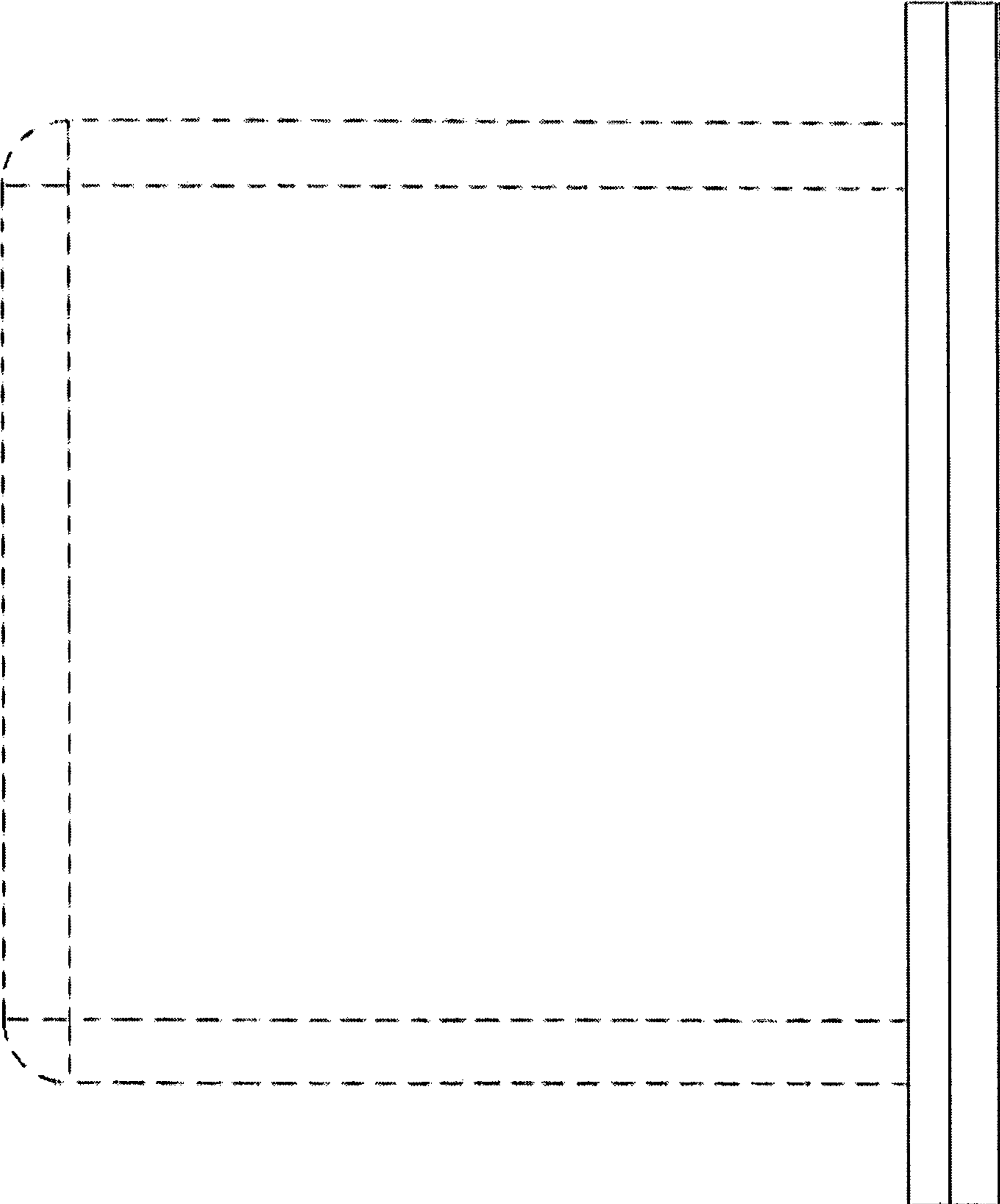


Fig. 5