



US00D586614S

(12) **United States Design Patent**
Garman et al.

(10) **Patent No.:** **US D586,614 S**
(45) **Date of Patent:** **** Feb. 17, 2009**

(54) **FOOD PROCESSOR**

(75) Inventors: **Michael Garman**, Stafford, VA (US);
George William Stamper, Quinton, VA (US)

(73) Assignee: **Hamilton Beach Brands, Inc.**, Glen Allen, VA (US)

(**) Term: **14 Years**

(21) Appl. No.: **29/256,188**

(22) Filed: **Mar. 17, 2006**

(51) **LOC (9) Cl.** **31-00**

(52) **U.S. Cl.** **D7/384**

(58) **Field of Classification Search** D7/376–386,
D7/412–414, 665; 99/492, 509–511; 241/37.5,
241/92–95, 130, 166–169, 169.1, 264, 270–278.2,
241/283, 285.1–285.3, 291, 292.1; 366/64–67,
366/98, 197–207, 241–254, 279–292, 314,
366/341–343

See application file for complete search history.

(56) **References Cited**

U.S. PATENT DOCUMENTS

- D189,680 S 1/1961 Chapman et al.
- D320,721 S 10/1991 Machuron
- D331,170 S 11/1992 Greiner
- D361,694 S 8/1995 Wong
- D369,944 S 5/1996 Cartellone
- D372,397 S 8/1996 Littmann et al.
- 5,735,193 A 4/1998 Chang
- D396,991 S 8/1998 Lallemand
- D396,992 S 8/1998 Lallemand
- D400,050 S 10/1998 Littmann
- D404,253 S 1/1999 Littmann
- D407,265 S * 3/1999 Sundquist D7/384
- 5,921,485 A 7/1999 Plavcan et al.
- D413,761 S 9/1999 Conran et al.
- D415,938 S 11/1999 Blaise
- D431,959 S 10/2000 Lallemand
- D437,730 S 2/2001 Littmann

- D442,022 S 5/2001 Prat
- D445,637 S * 7/2001 Feil D7/384
- D447,381 S 9/2001 Littmann
- D450,530 S * 11/2001 Mauch D7/384
- 6,375,102 B1 4/2002 Bouleau et al.
- 6,418,837 B1 7/2002 Obersteiner
- D469,303 S 1/2003 Au
- D474,369 S 5/2003 Benzon et al.
- 6,622,618 B1 9/2003 Glucksman et al.
- D483,987 S 12/2003 Mauch
- 6,669,124 B2 12/2003 Lazzer et al.
- D488,344 S 4/2004 Seum et al.
- 6,748,853 B1 6/2004 Brady et al.
- D502,047 S * 2/2005 Ledingham et al. D7/384
- D502,842 S * 3/2005 Hallar D7/384
- D549,044 S * 8/2007 Littmann D7/384
- 2003/0071150 A1 4/2003 Ruttimann
- 2005/0207273 A1 * 9/2005 Newman et al. 366/314

* cited by examiner

Primary Examiner—Caron Veynar

Assistant Examiner—Ricky Pham

(74) *Attorney, Agent, or Firm*—Panitch Schwarze Belisario & Nadel LLP

(57) **CLAIM**

The ornamental design for a food processor, as shown and described.

DESCRIPTION

FIG. 1 is a top perspective view of a food processor in accordance with our new design;

FIG. 2 is a front elevational view thereof;

FIG. 3 is a rear elevational view thereof;

FIG. 4 is a right-side elevational view thereof;

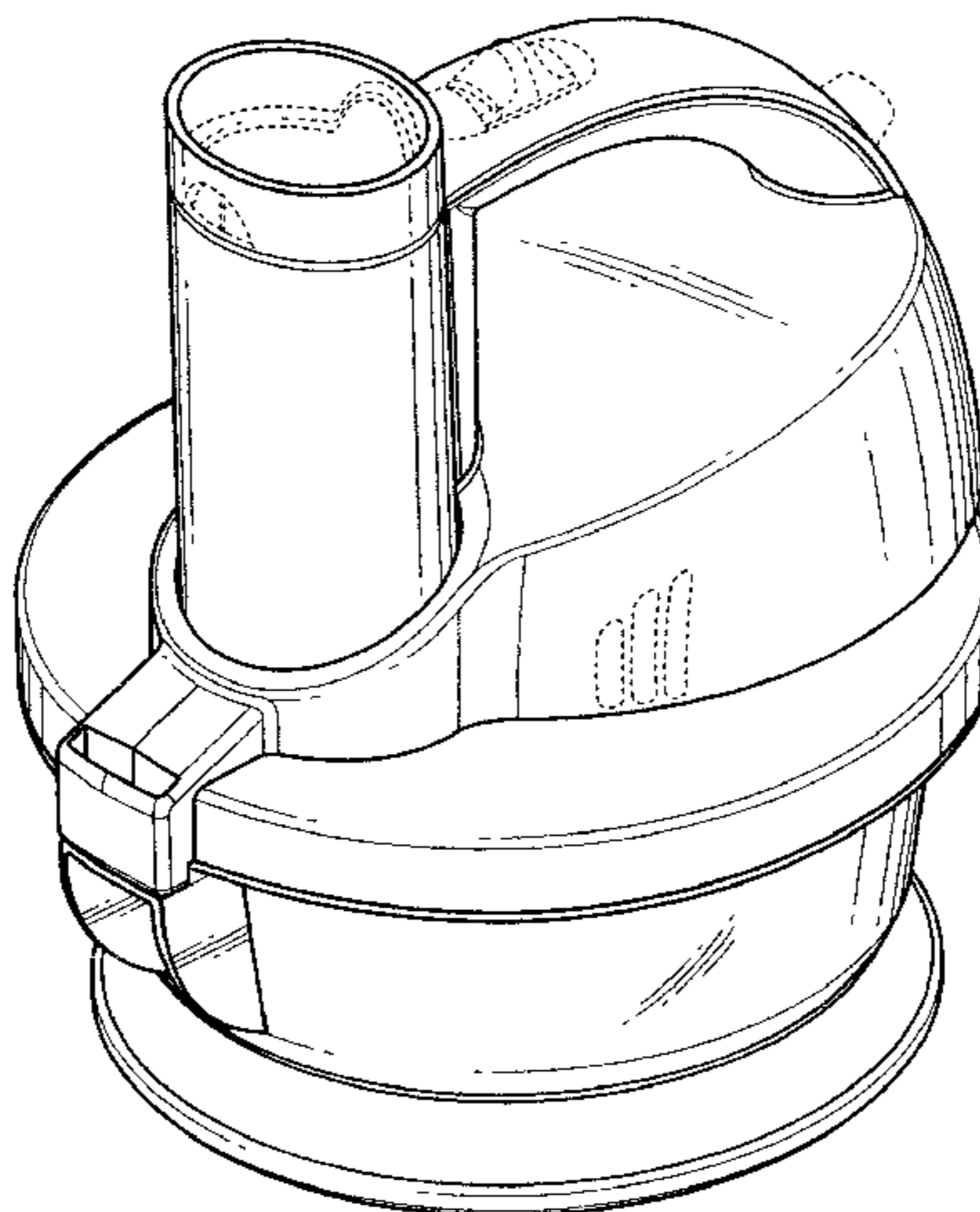
FIG. 5 is a left-side elevational view thereof;

FIG. 6 is a top plan view thereof; and,

FIG. 7 is a bottom plan view thereof.

The broken lines in the figures are for illustrative purposes only and form no part of the claimed design.

1 Claim, 7 Drawing Sheets



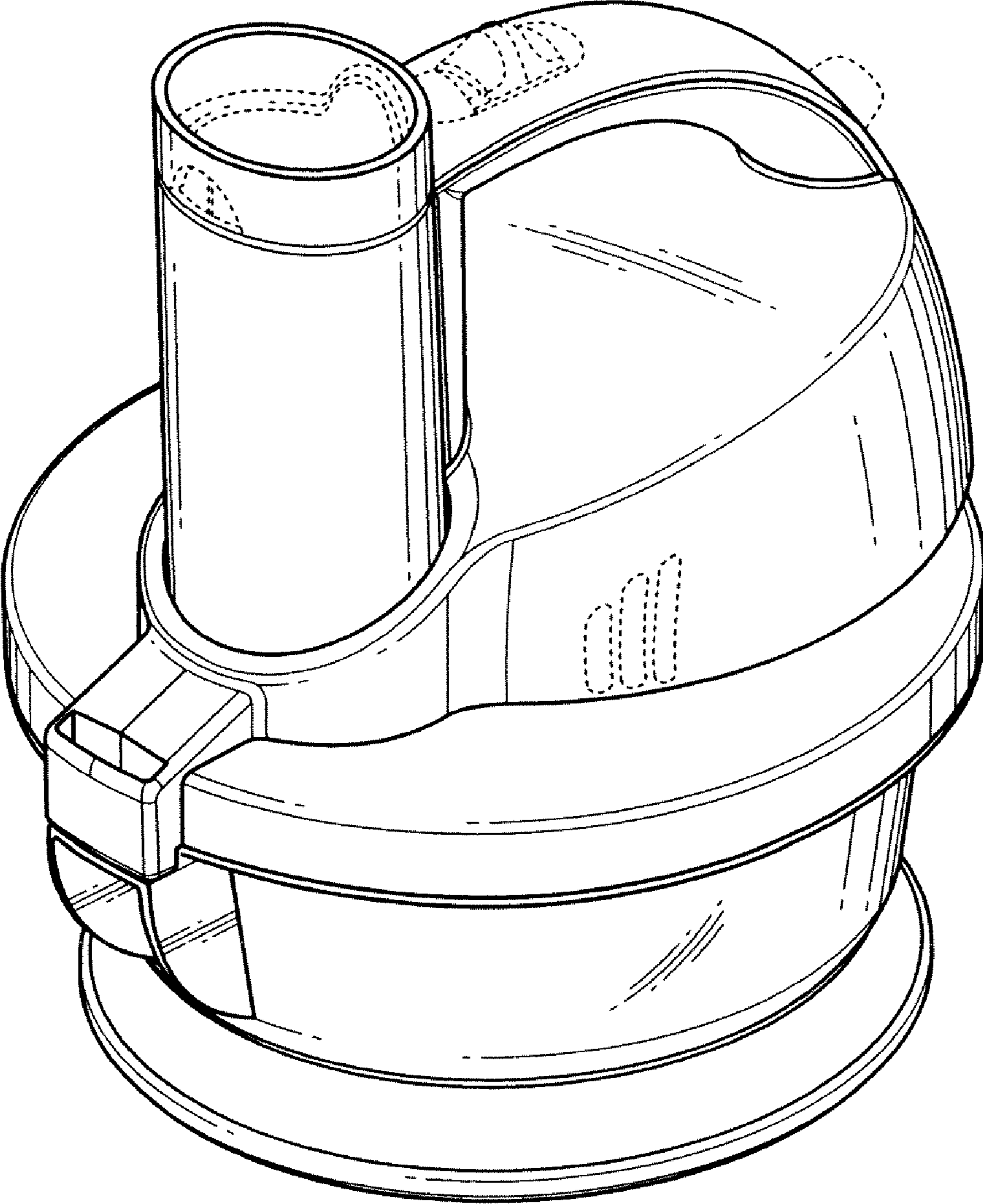


FIG. 1

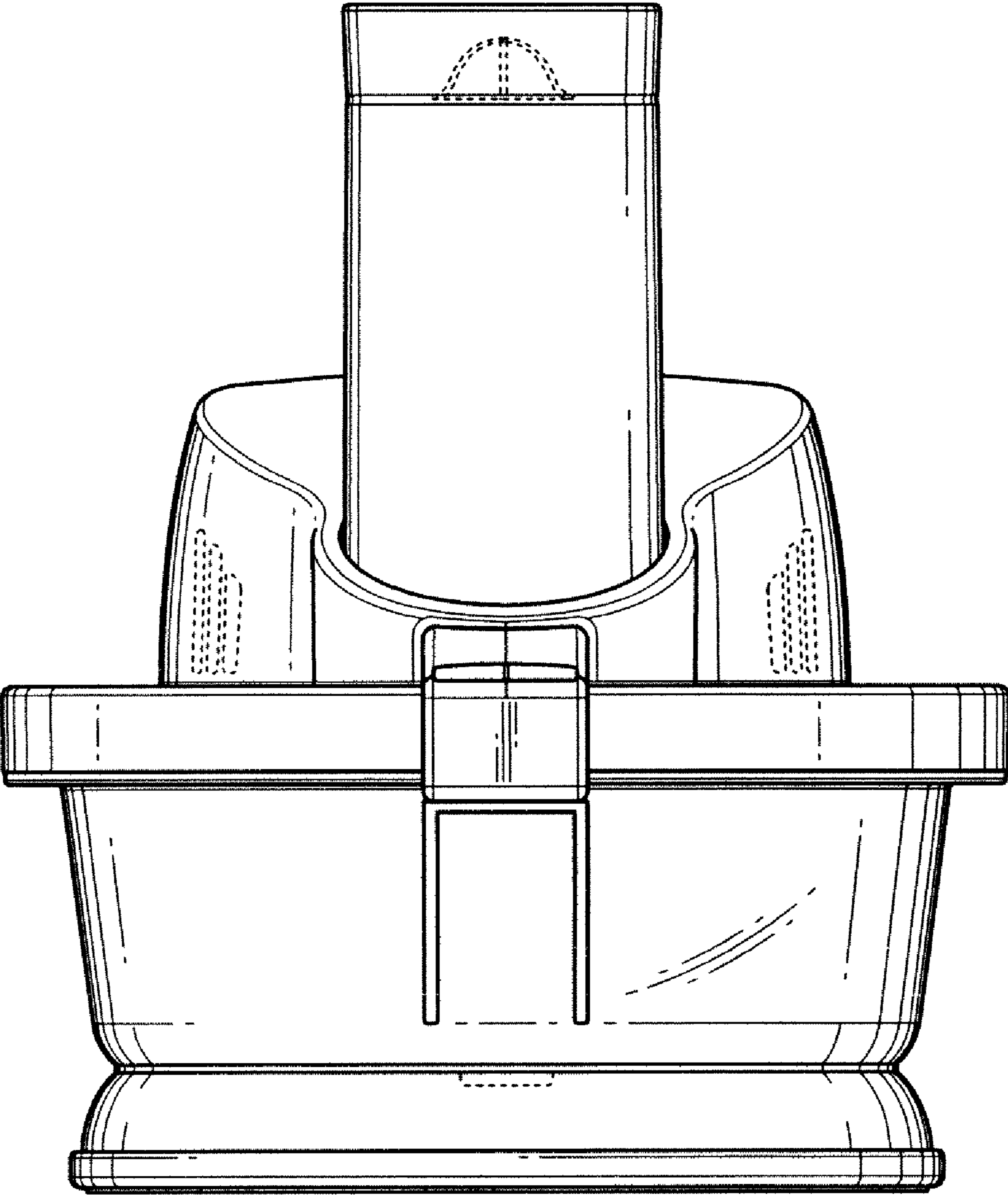


FIG. 2

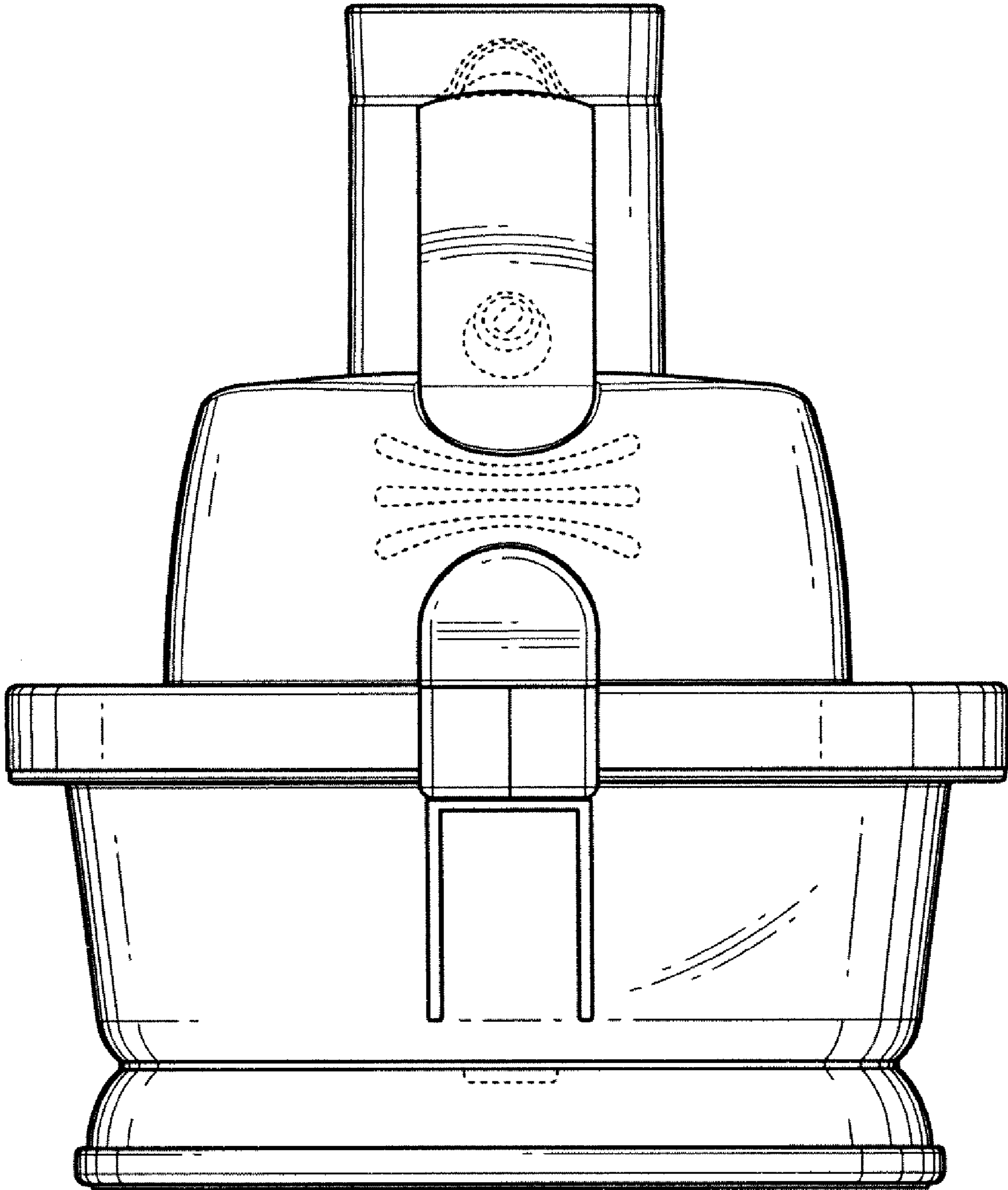


FIG. 3

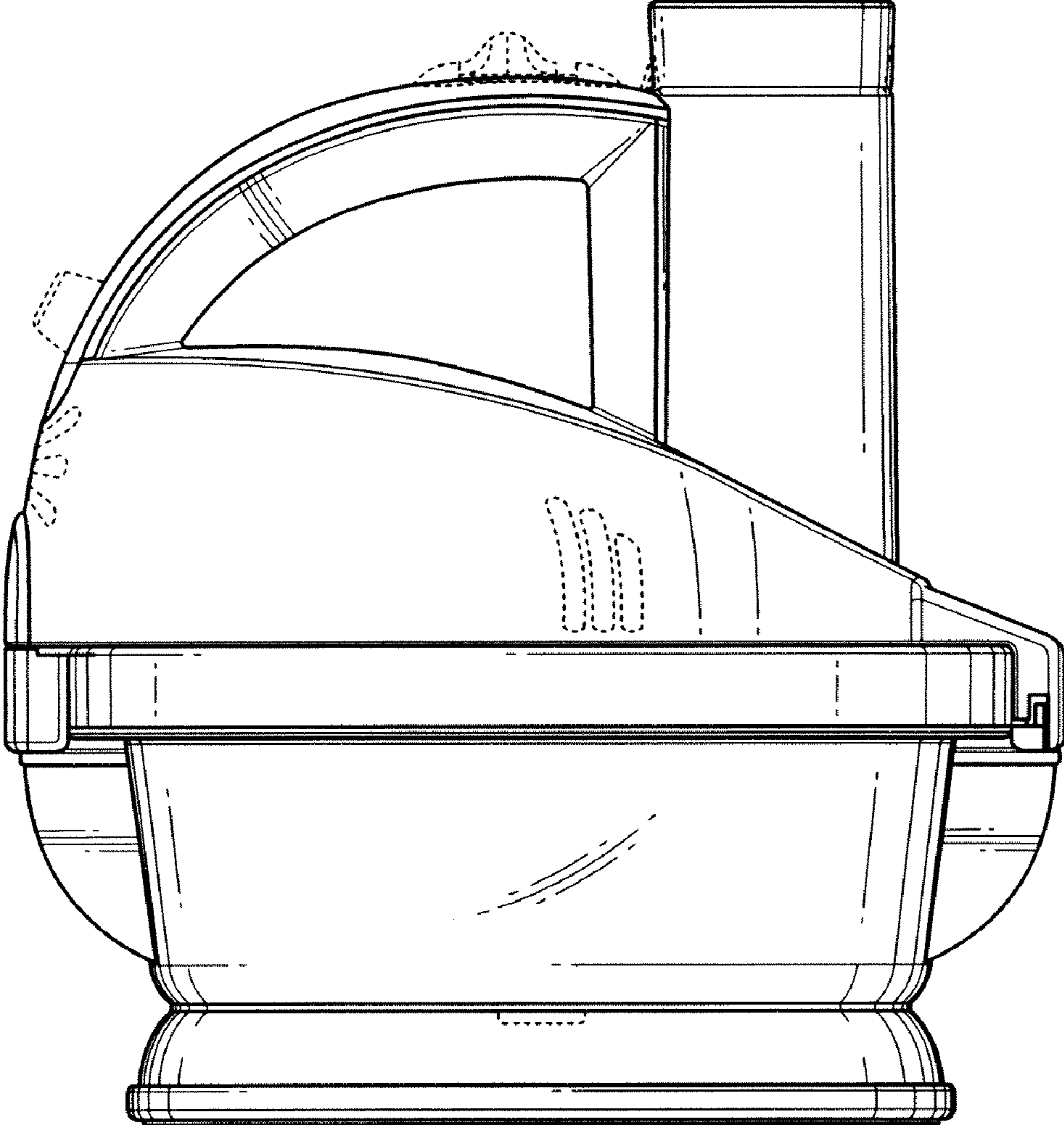


FIG. 4

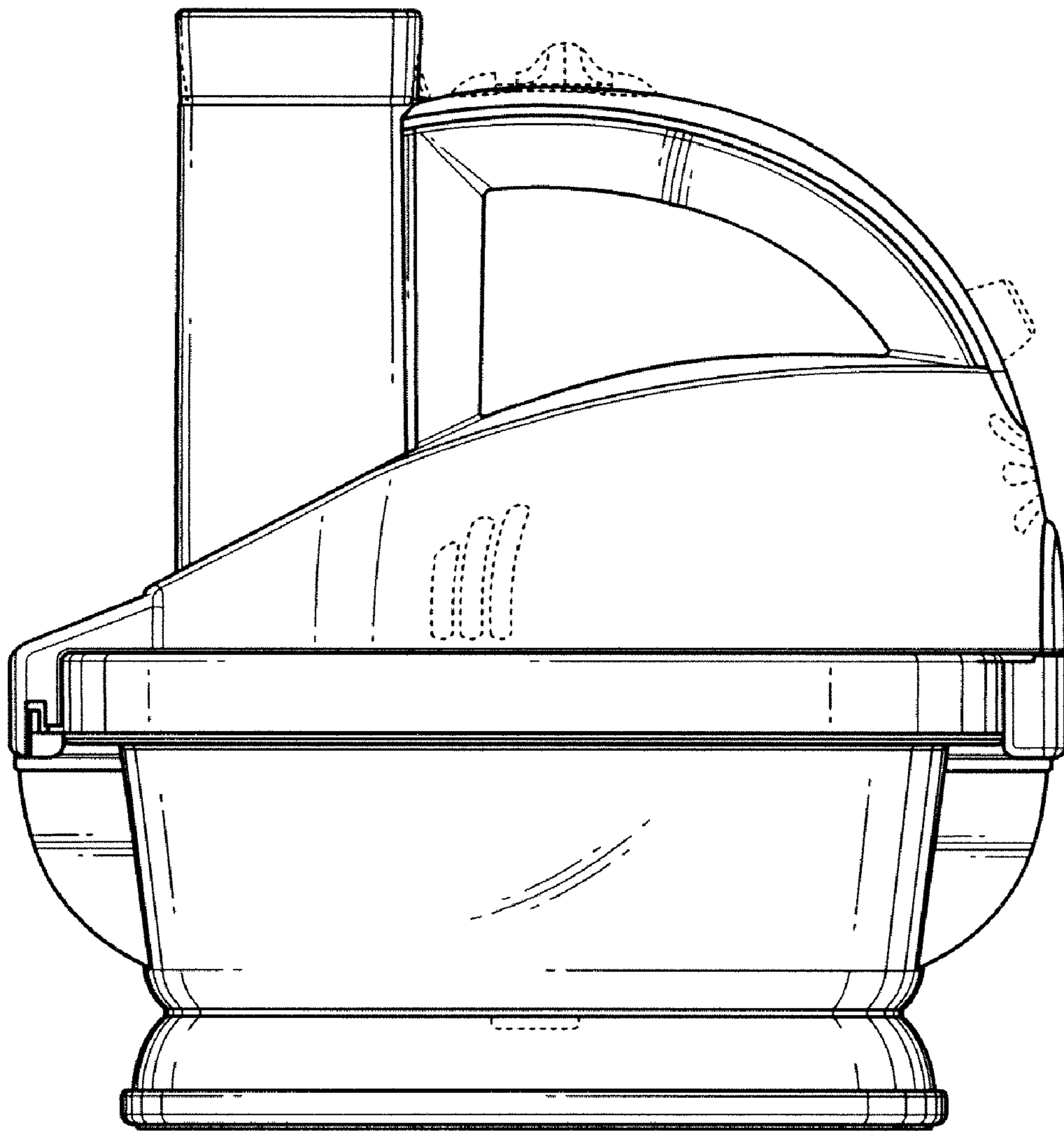


FIG. 5

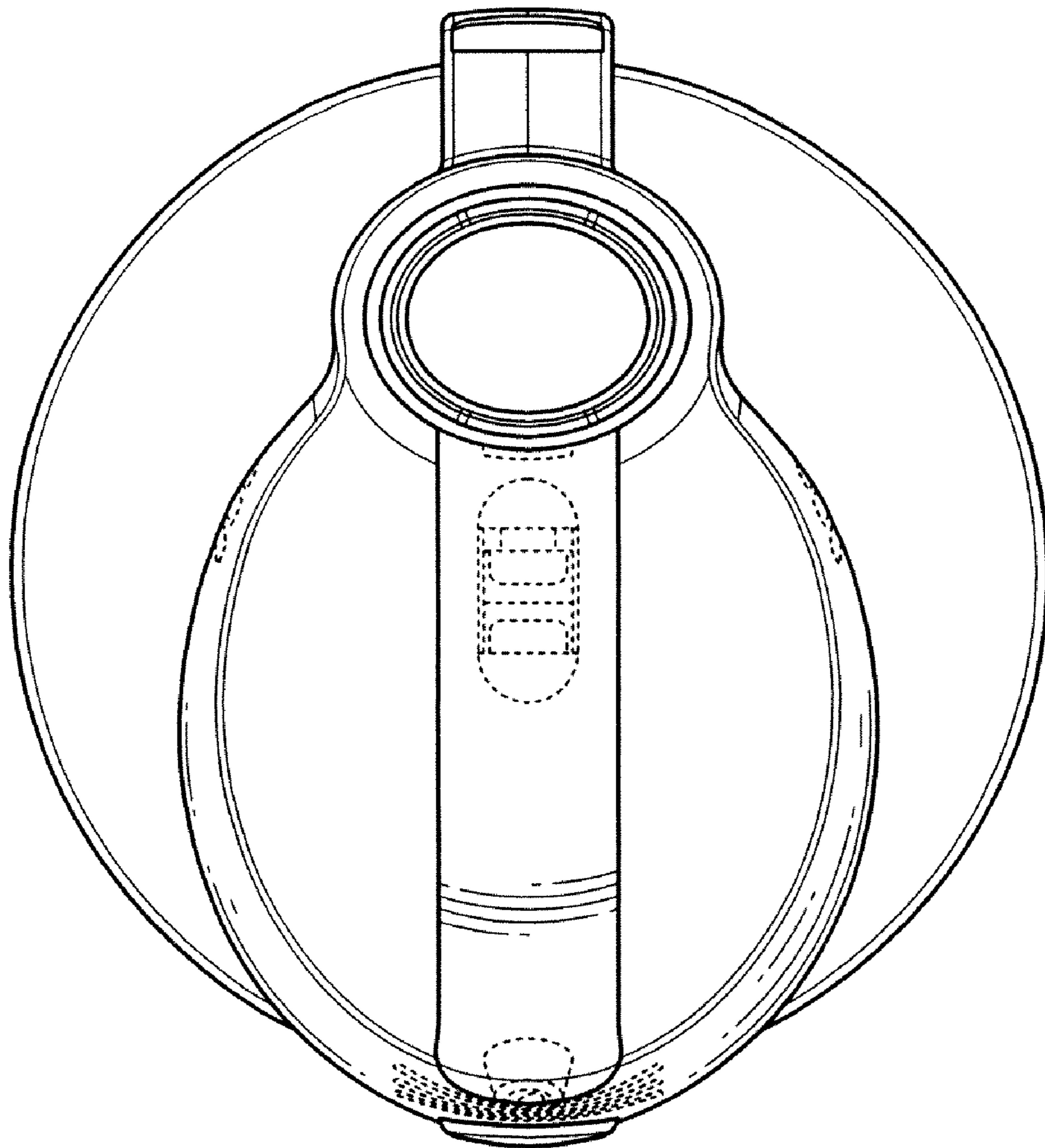


FIG. 6

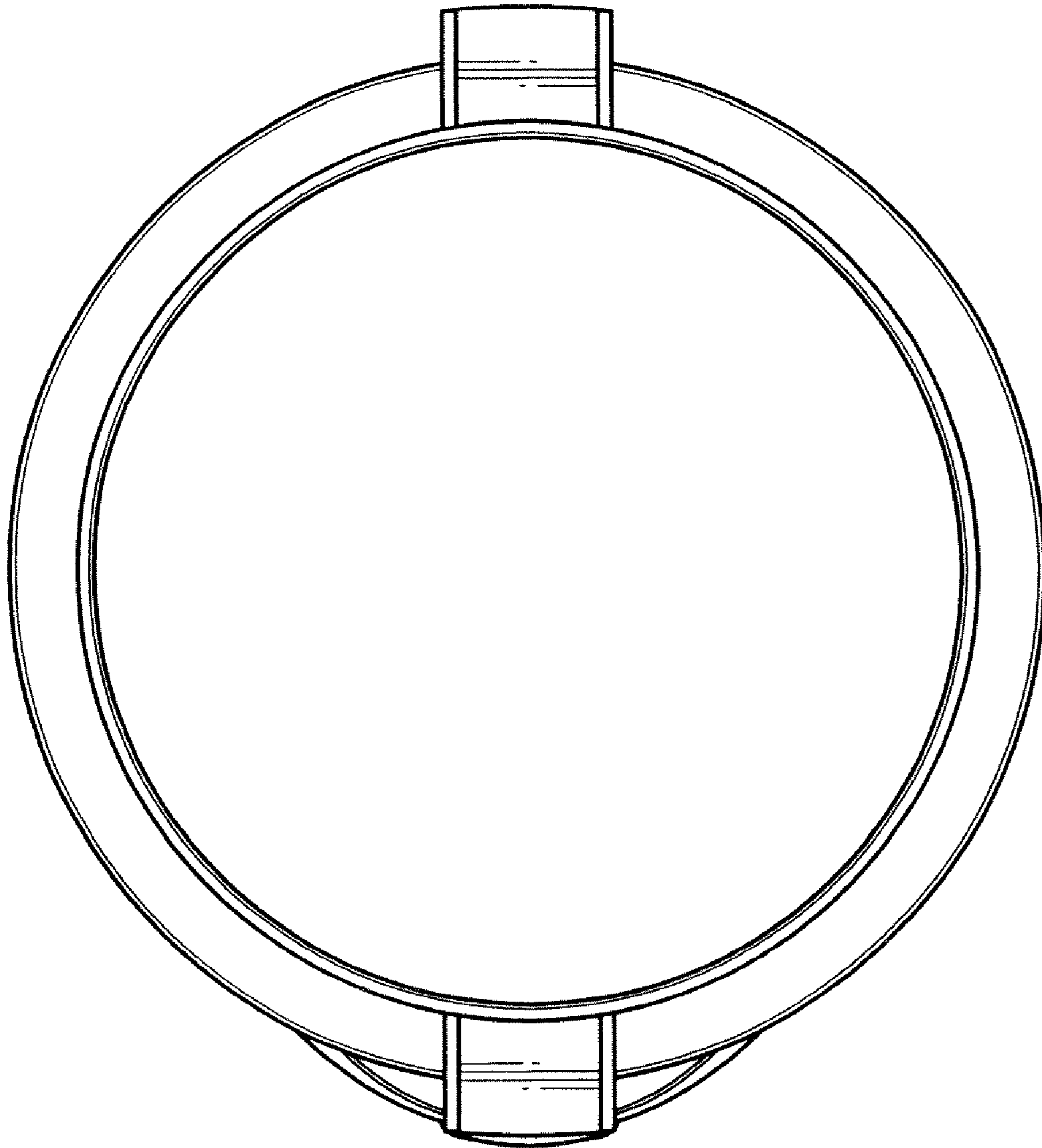


FIG. 7