



US00D586612S

(12) **United States Design Patent**
Rae

(10) **Patent No.:** **US D586,612 S**

(45) **Date of Patent:** **** Feb. 17, 2009**

(54) **PEDESTAL BASE FOR COOKWARE**

(75) Inventor: **Robert A. Rae**, Danville, CA (US)

(73) Assignee: **Meyer Intellectual Properties Limited**
(VG)

(**) Term: **14 Years**

(21) Appl. No.: **29/304,851**

(22) Filed: **Mar. 7, 2008**

(51) **LOC (9) Cl.** **07-02**

(52) **U.S. Cl.** **D7/354**

(58) **Field of Classification Search** D7/323,
D7/337, 352-361, 365, 378-379, 383-38,
D7/391-396.1, 402, 410, 542-543, 545, 553.6,
D7/584, 586; D8/402; D9/452, 454; D11/152,
D11/164; D27/133; D99/25, 34; 99/140 R,
99/324, 339, 349, 403, 422, 426, 445; 108/139;
206/216; 211/74; 215/393; 219/620-622,
219/725-730; 220/203.01, 377, 573.1-574,
220/769, 912; 248/346.11; 426/132

See application file for complete search history.

(56) **References Cited**

U.S. PATENT DOCUMENTS

D27,936 S *	12/1897	Schmidt	D7/359
D30,175 S *	2/1899	Wagner	D99/34
D31,886 S *	11/1899	Burley	D7/584
D35,361 S *	12/1901	Savage	D7/402
846,948 A *	3/1907	Richter	108/139
936,343 A *	10/1909	Musser	99/426
1,949,285 A *	2/1934	Porter	211/74
D97,798 S *	12/1935	Bayreuther	D7/584
D100,343 S *	7/1936	Zoia	D7/388
D120,409 S *	5/1940	Myers	D27/133
D138,433 S *	8/1944	Lindblad	D99/25
2,423,963 A *	7/1947	Coffman	99/349
D169,799 S *	6/1953	Bourne-Vanneck	D7/388
2,754,021 A *	7/1956	Taylor	215/393
D260,492 S *	9/1981	Scott	D9/452
D265,061 S *	6/1982	Tricinella	D9/454

D282,340 S *	1/1986	Lam	D7/387
D288,891 S *	3/1987	Saito	D7/391
D291,271 S *	8/1987	Wilson	D7/379
D324,170 S *	2/1992	Owens et al.	D8/402
D379,922 S *	6/1997	Adams	D8/402
D381,268 S *	7/1997	Rush et al.	D9/452
5,743,506 A *	4/1998	Adams	248/346.11
D395,195 S *	6/1998	Heiberg et al.	D7/391
D401,734 S *	11/1998	Monk	D99/25
5,869,120 A *	2/1999	Blazevich	426/132
D409,878 S *	5/1999	Burton	D7/410
6,168,813 B1 *	1/2001	Blazevich	426/132
D453,308 S *	2/2002	McCauley	D11/152
D455,675 S *	4/2002	Rose	D11/164
D458,796 S *	6/2002	Kellermann	D7/360
D489,972 S *	5/2004	Lin	D7/553.6
D509,099 S *	9/2005	Haugen	D7/354
D516,867 S *	3/2006	Martin et al.	D7/586
D526,536 S *	8/2006	Littlejohn et al.	D7/553.8
2003/0006151 A1 *	1/2003	Lin	206/216

* cited by examiner

Primary Examiner—Caron Veynar

Assistant Examiner—Ricky Pham

(74) *Attorney, Agent, or Firm*—Edward S. Sheman

(57) **CLAIM**

The ornamental design for a pedestal base for cookware, as shown and described.

DESCRIPTION

FIG. 1 is a top perspective view of the “pedestal base for cookware”, showing my new design;

FIG. 2 is a top plan view thereof;

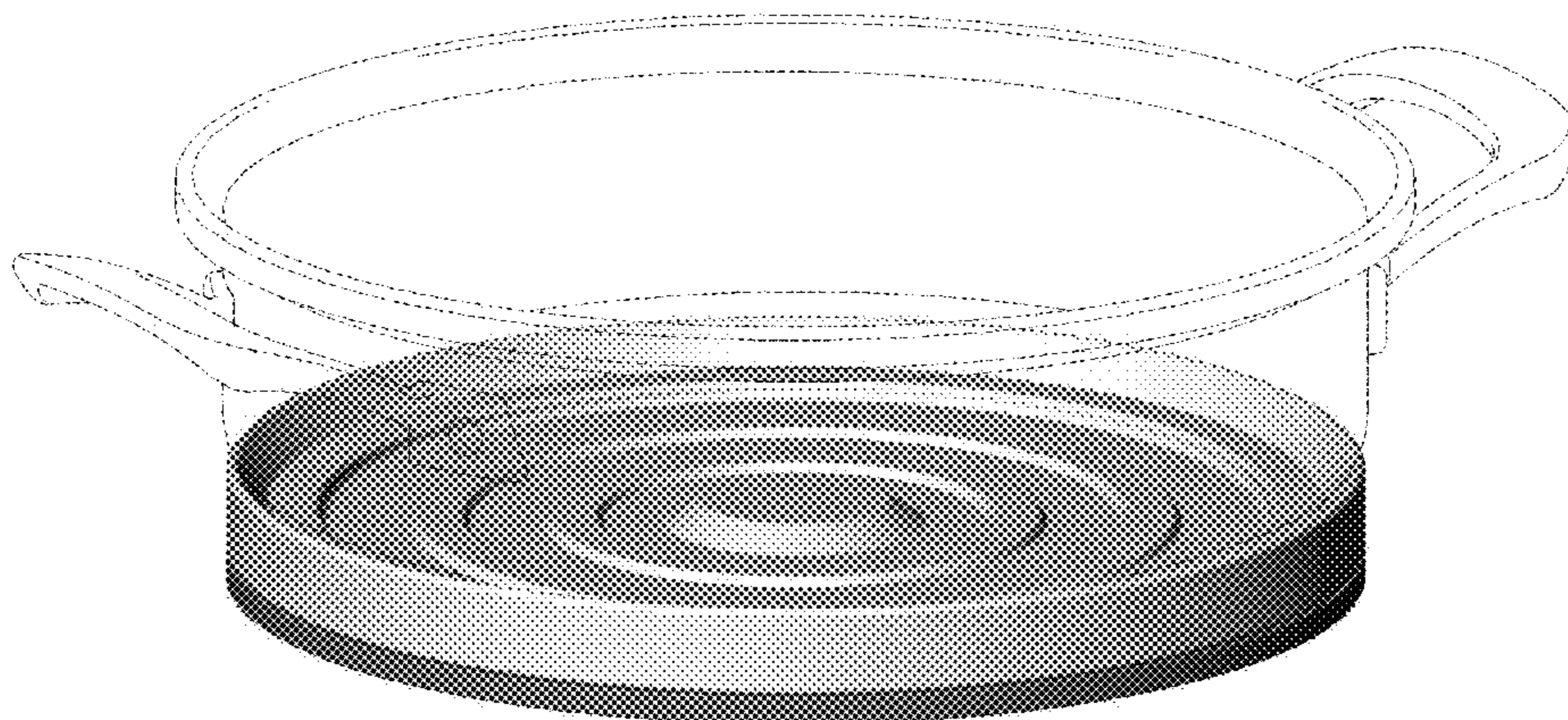
FIG. 3 is a bottom perspective view thereof;

FIG. 4 is a side elevation view thereof; and,

FIG. 5 is a bottom plan view thereof.

The broken lines in FIGS. 1-5 are for illustrative purposes only, depicting the environment of the new design, forming no part thereof as claimed.

1 Claim, 5 Drawing Sheets



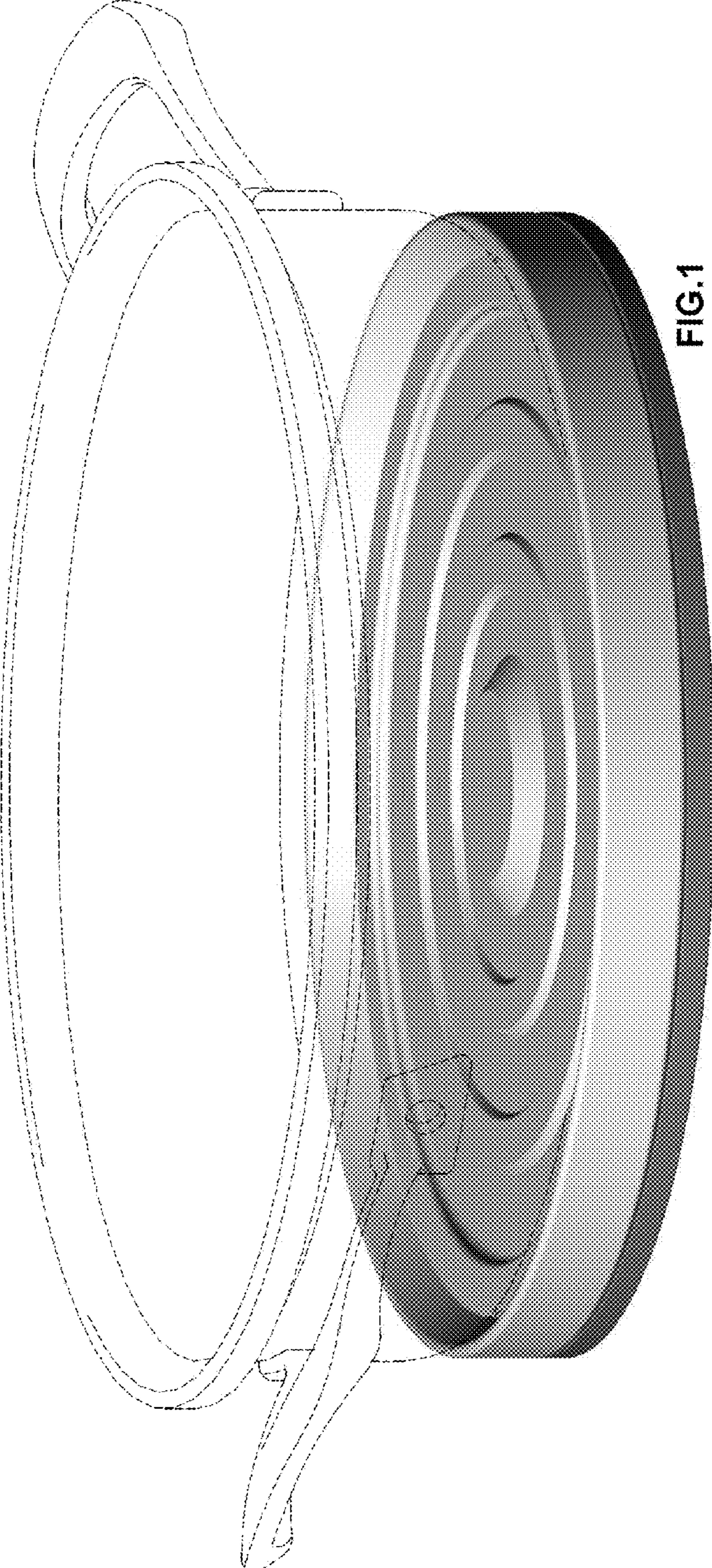


FIG. 1

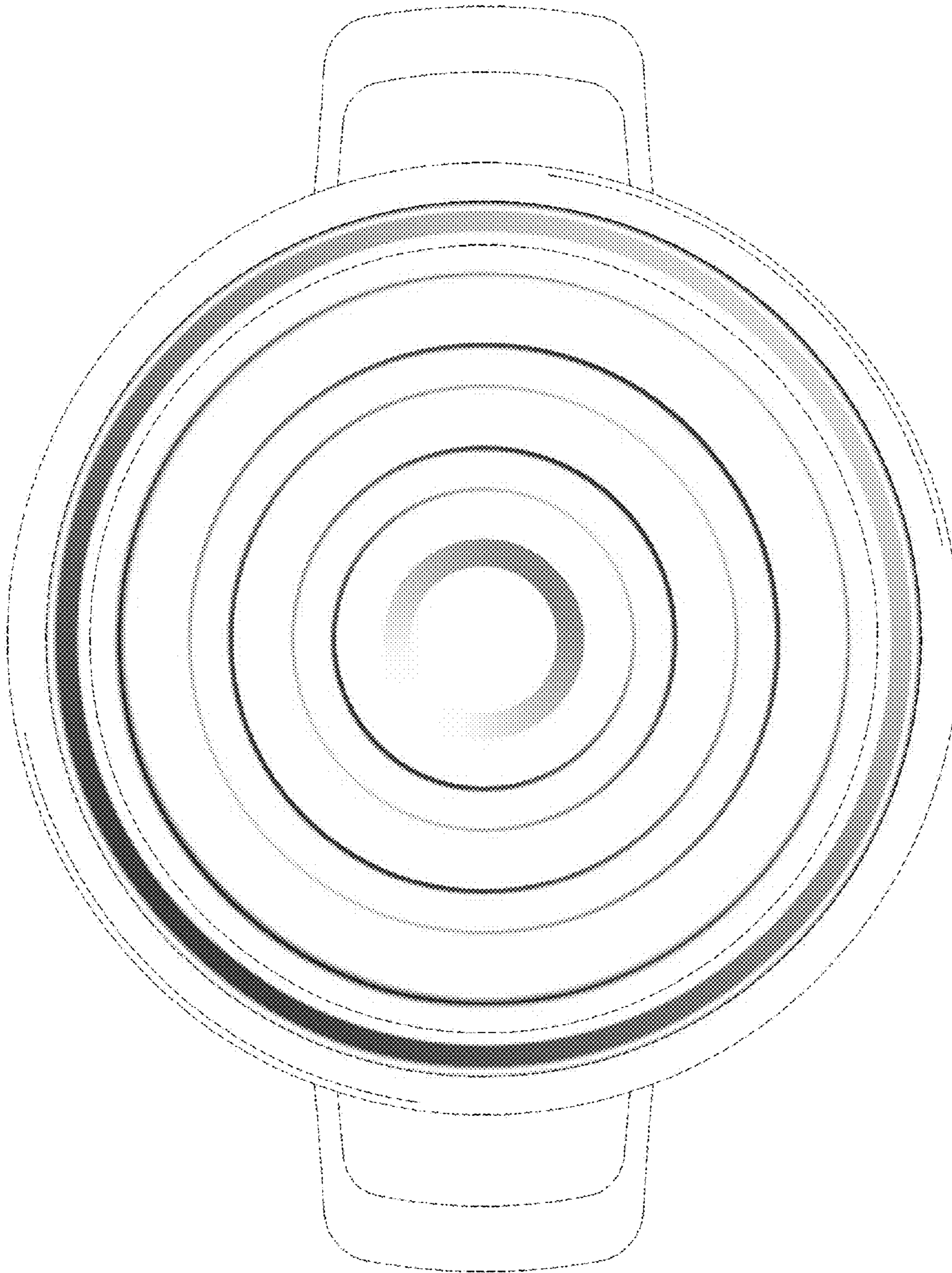


FIG.2

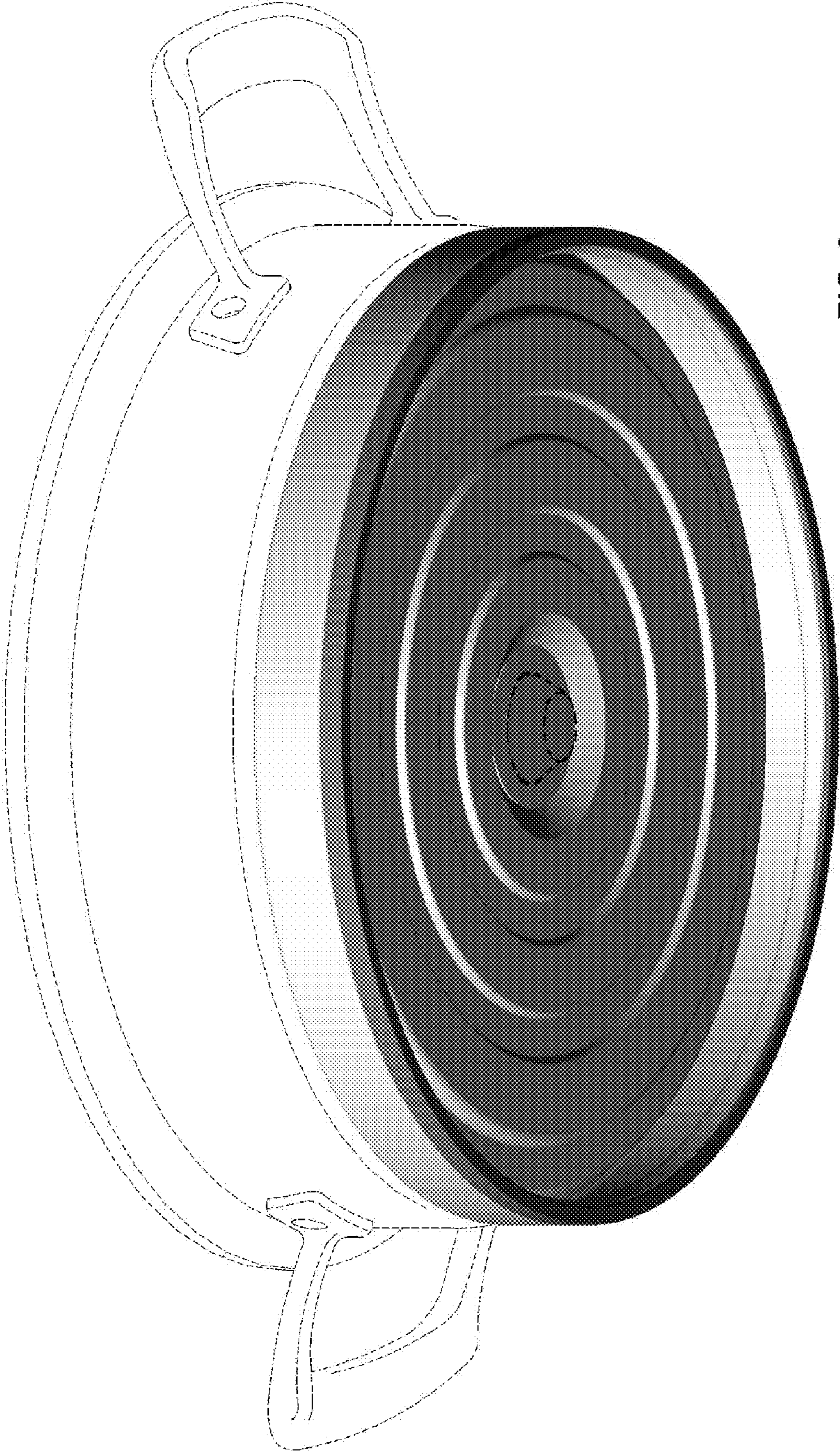


FIG. 3

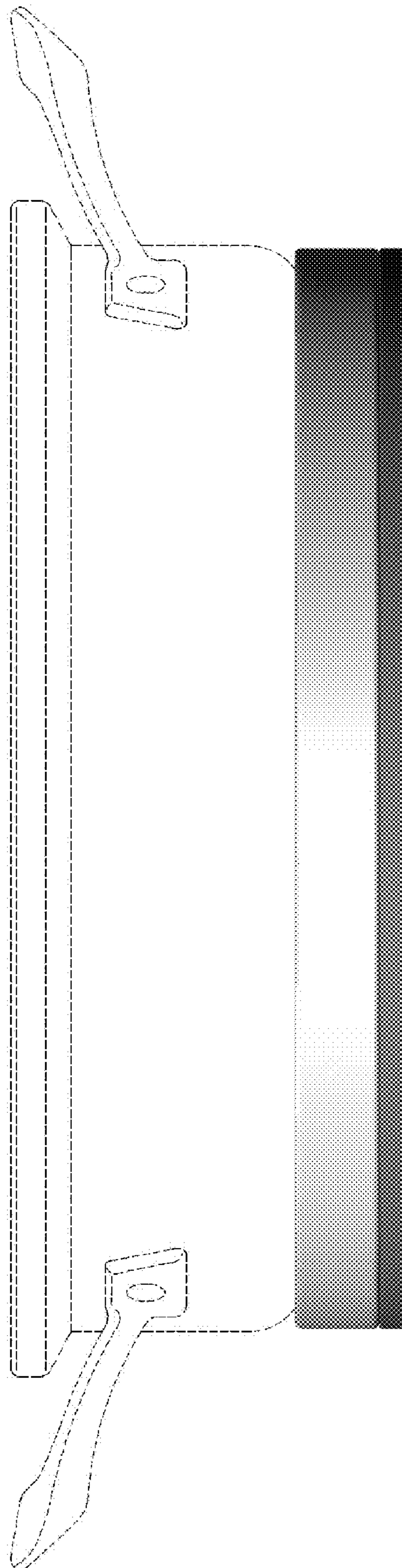


FIG.4

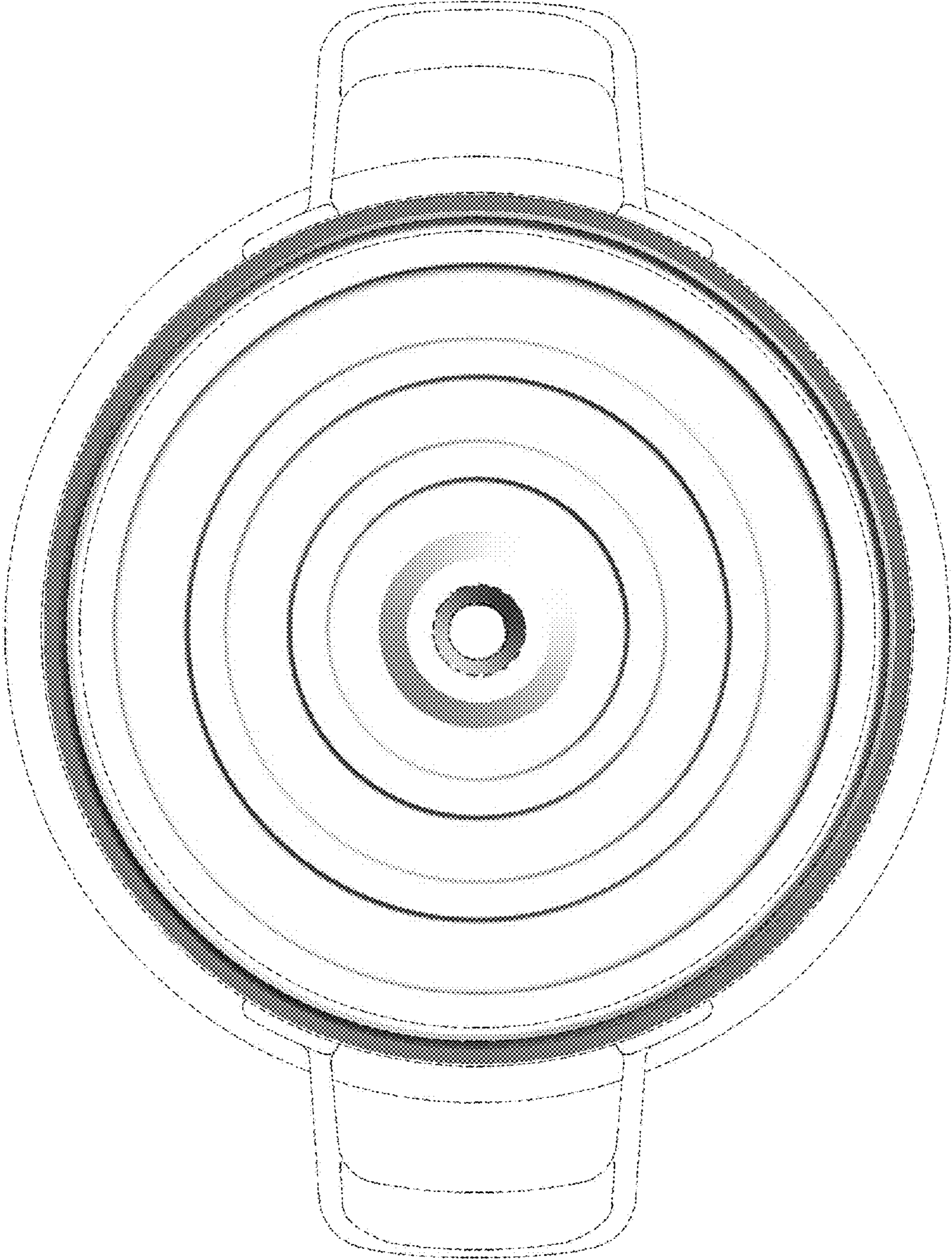


FIG.5