



US00D586611S

(12) **United States Design Patent**
Solis et al.

(10) **Patent No.:** **US D586,611 S**
(45) **Date of Patent:** **** Feb. 17, 2009**

(54) **SAUCE PAN**

(76) Inventors: **Robert I. Solis**, 777 Cole St., #3, San Francisco, CA (US) 94117; **Ken H. Narita**, 2755 Harrisburg Ave., Fremont, CA (US) 94536

(**) Term: **14 Years**

(21) Appl. No.: **29/301,287**

(22) Filed: **Feb. 21, 2008**

Related U.S. Application Data

(62) Division of application No. 29/218,415, filed on Dec. 1, 2004, now Pat. No. Des. 564,828.

(51) **LOC (9) Cl.** **07-02**

(52) **U.S. Cl.** **D7/354**

(58) **Field of Classification Search** D7/323,
D7/337, 354-361, 365, 378-379, 383-384,
D7/542-543, 545, 560, 584-588; 99/403,
99/422, 425, 445; 220/203.01, 573.1-574,
220/912

See application file for complete search history.

(56) **References Cited**

U.S. PATENT DOCUMENTS

- D170,735 S * 10/1953 Zeisel D7/543
- D174,504 S * 4/1955 Krause D7/361
- D197,476 S * 2/1964 De Puy D7/542
- D276,493 S * 11/1984 Cesaroni D7/355
- D317,549 S * 6/1991 Stadelmaier D7/360
- D434,269 S * 11/2000 Jo D7/360
- D473,758 S * 4/2003 Wilson D7/587
- D500,630 S * 1/2005 Brassat D7/360

- D545,630 S * 7/2007 Serra D7/560
- D547,615 S * 7/2007 Wasserman et al. D7/560
- D551,510 S * 9/2007 Serra D7/560
- D564,828 S * 3/2008 Solis et al. D7/360

* cited by examiner

Primary Examiner—Caron Veynar

Assistant Examiner—Ricky Pham

(74) *Attorney, Agent, or Firm*—Edward J. Lynch

(57) **CLAIM**

The ornamental design for a sauce pan, as shown and described.

DESCRIPTION

FIG. 1 is a side view of a sauce pan with a lid and handle shown in phantom;

FIG. 2 is a front view of the sauce pan shown in FIG. 1 with a lid and handle (shown in phantom);

FIG. 3 is a rear view of the sauce pan shown in FIG. 1 with a lid and handle shown in phantom;

FIG. 4 is a side view of the sauce pan shown in FIG. 1 on the opposite side to that shown in FIG. 1 with a lid and a handle (shown in phantom);

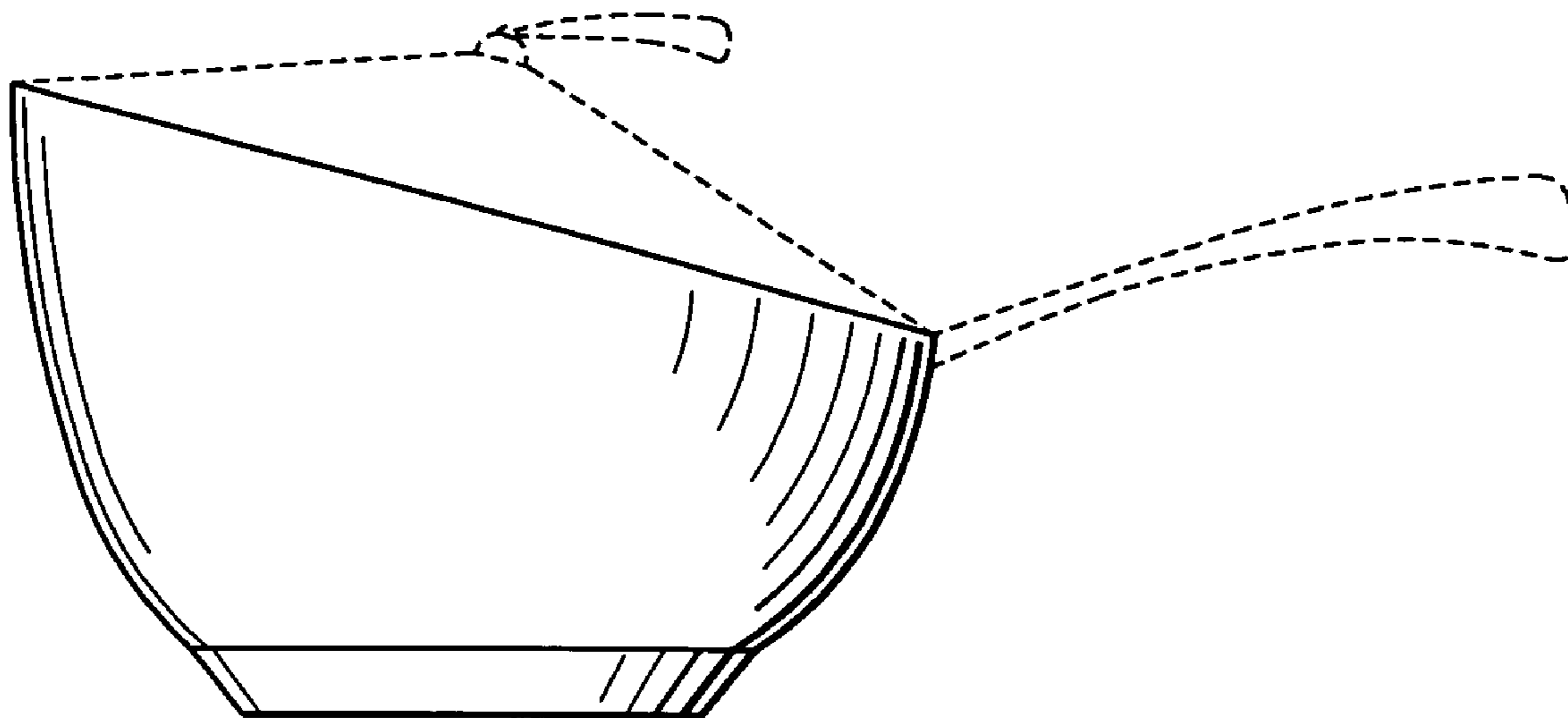
FIG. 5 is a top view of the sauce pan shown in FIG. 1 with the lid removed;

FIG. 6 is a bottom view of the sauce pan shown in FIG. 1 with a handle shown in phantom; and,

FIG. 7 is a side view of the sauce pan shown in FIG. 1 slightly tilted without a lid and a handle shown in phantom.

The features shown in phantom are for illustrative purposes only and form no part of the claimed design.

1 Claim, 2 Drawing Sheets



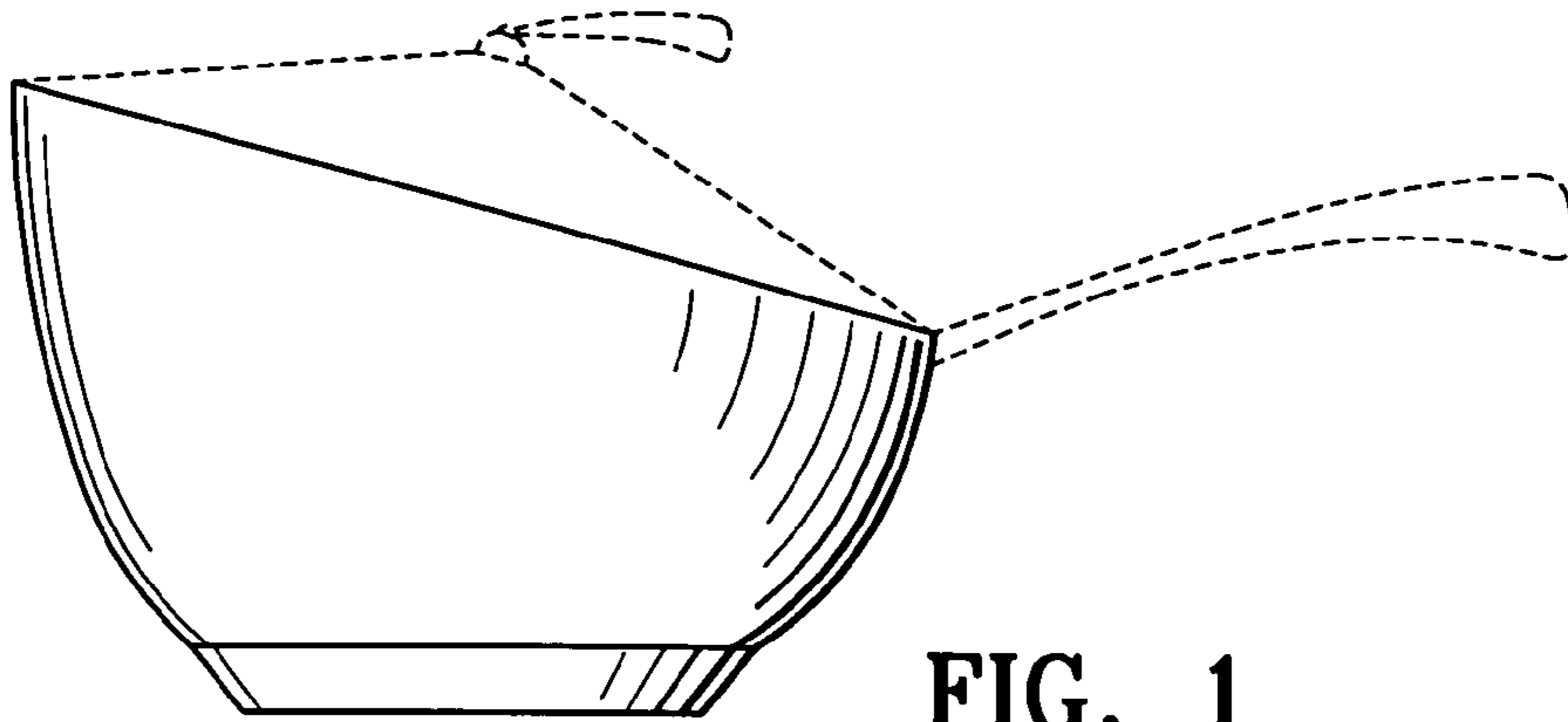


FIG. 1

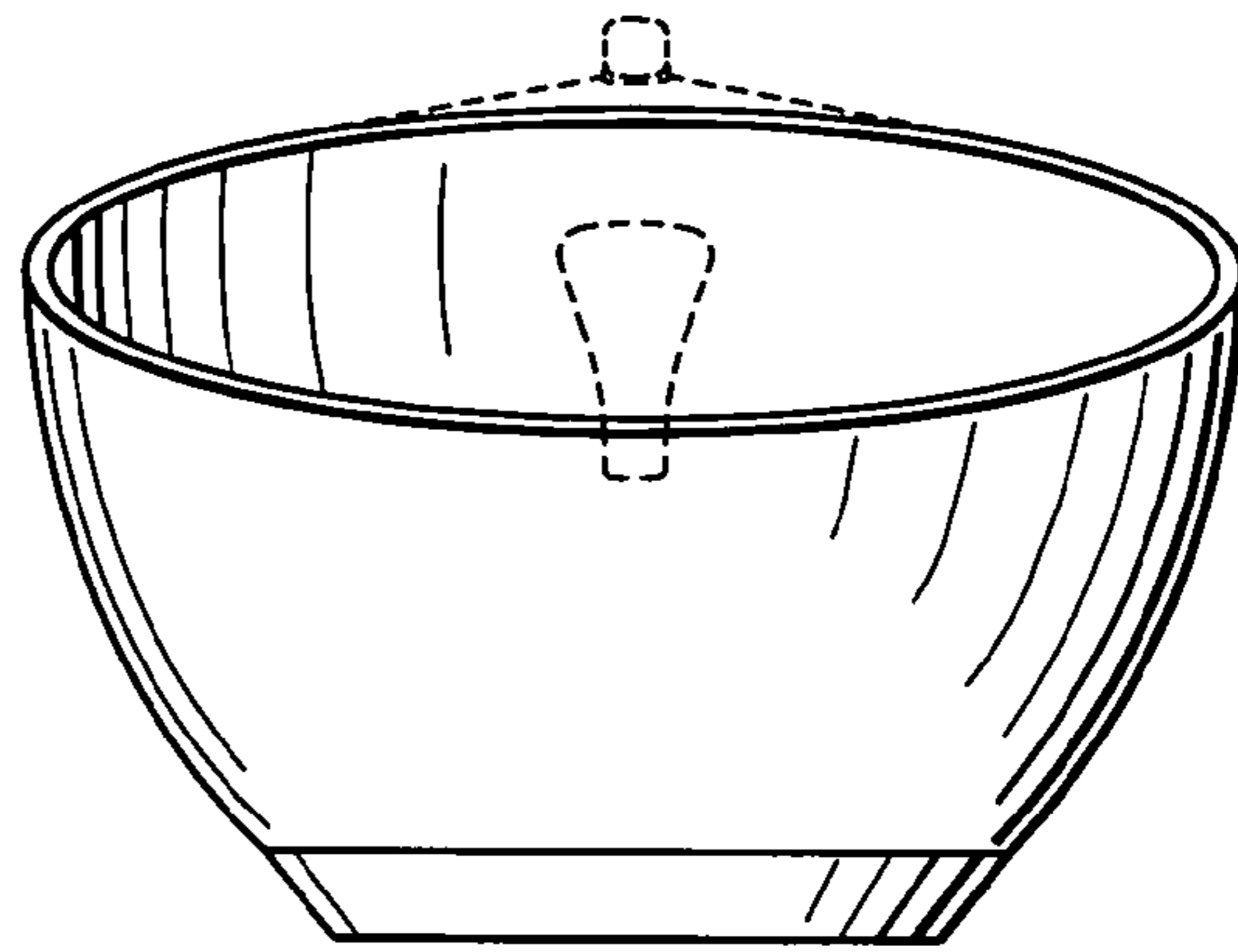


FIG. 2

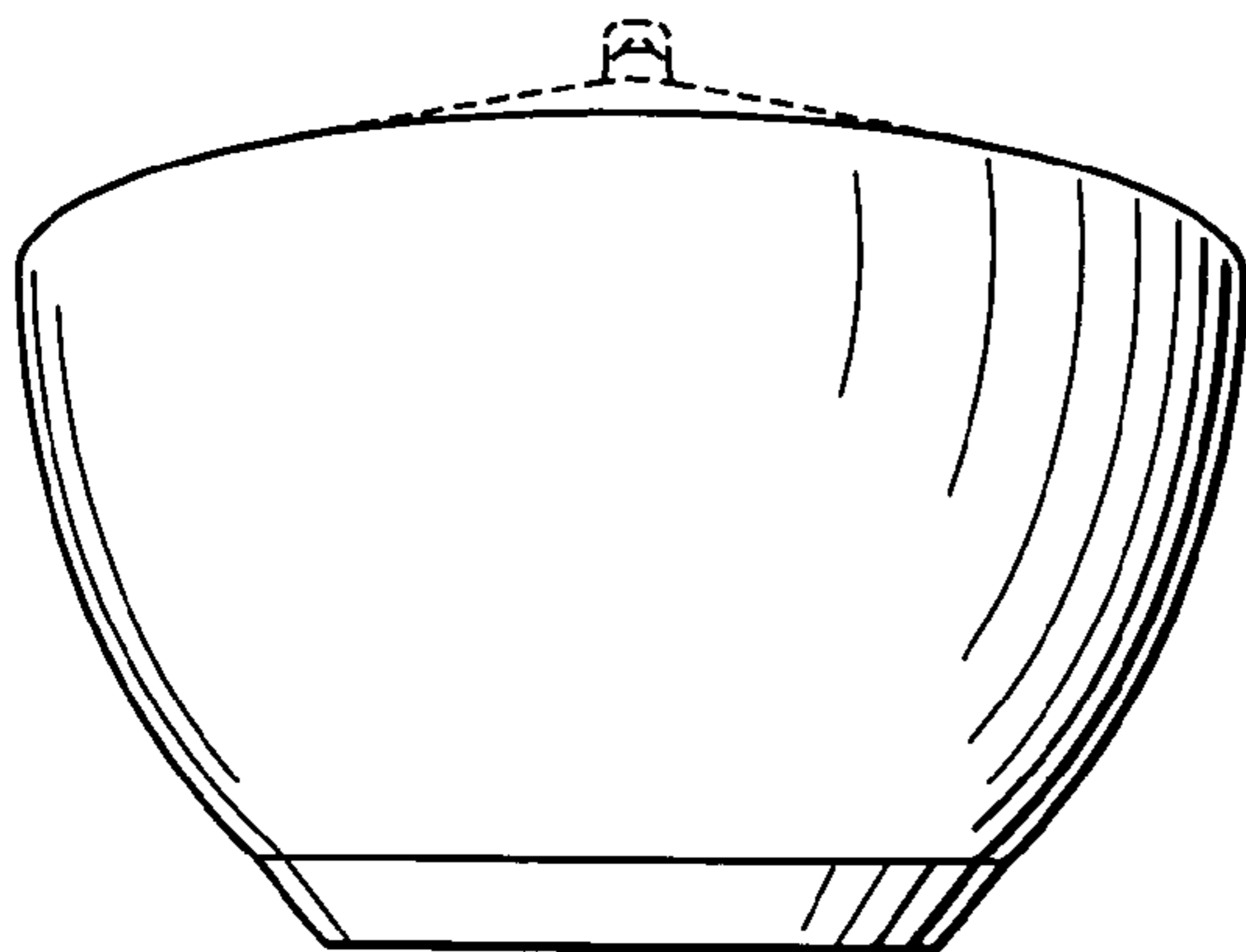


FIG. 3

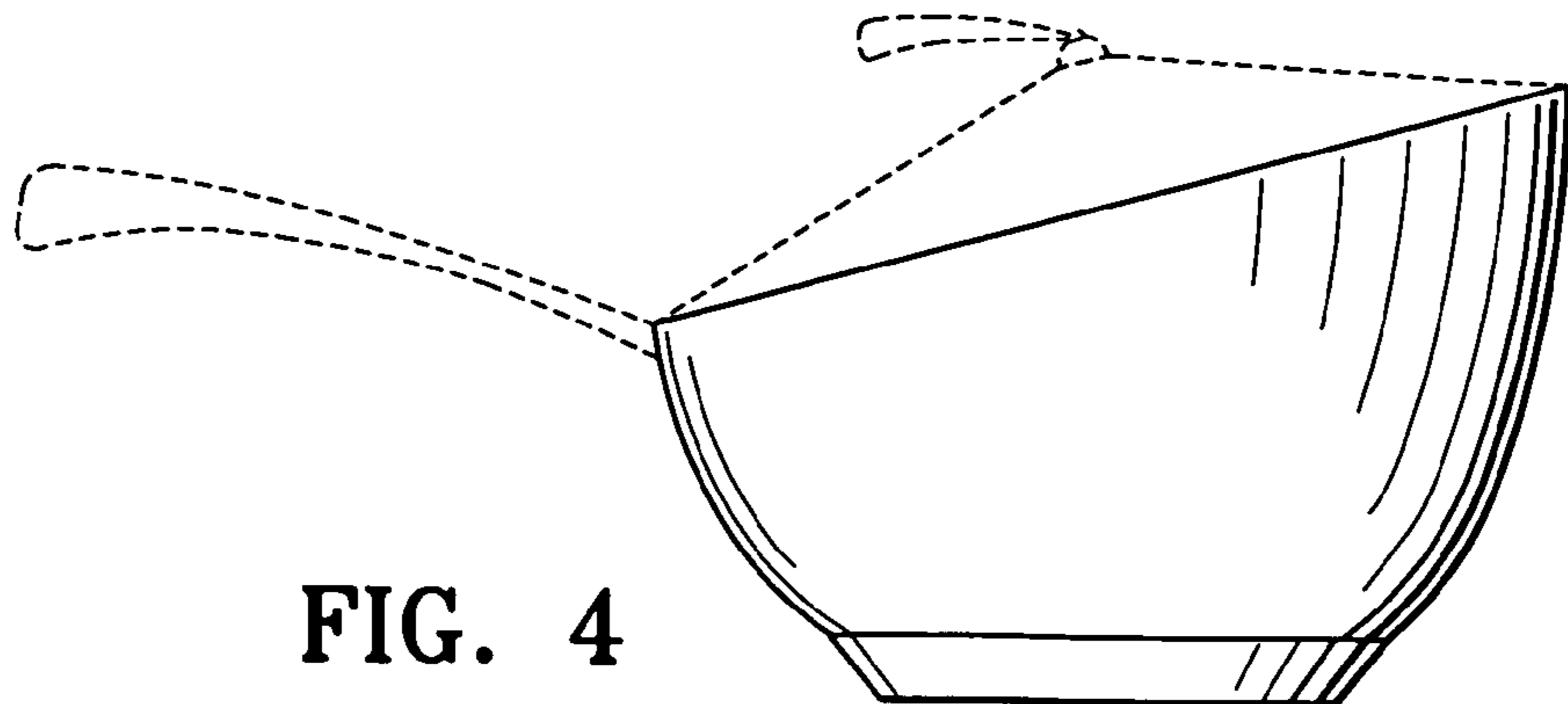


FIG. 4

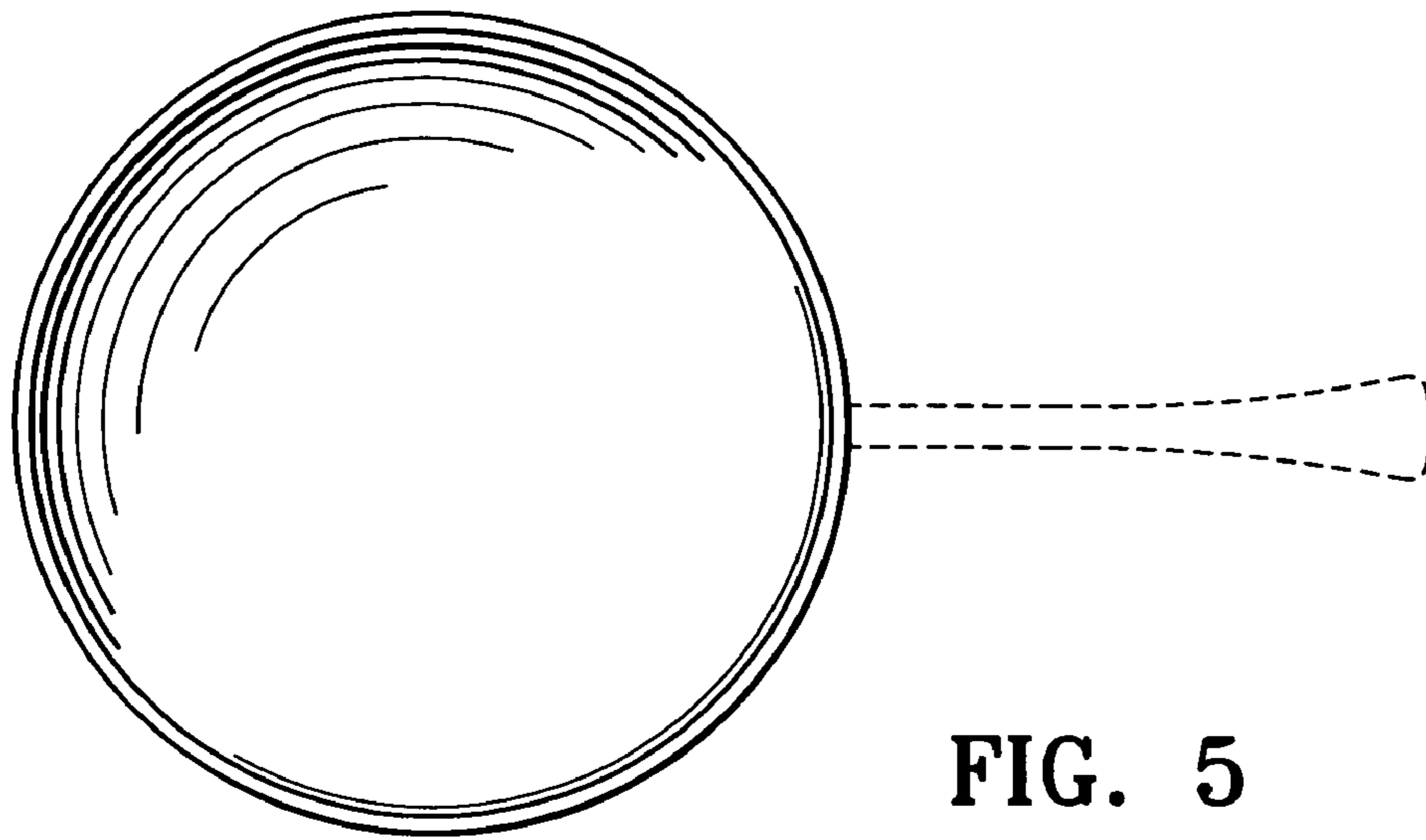


FIG. 5

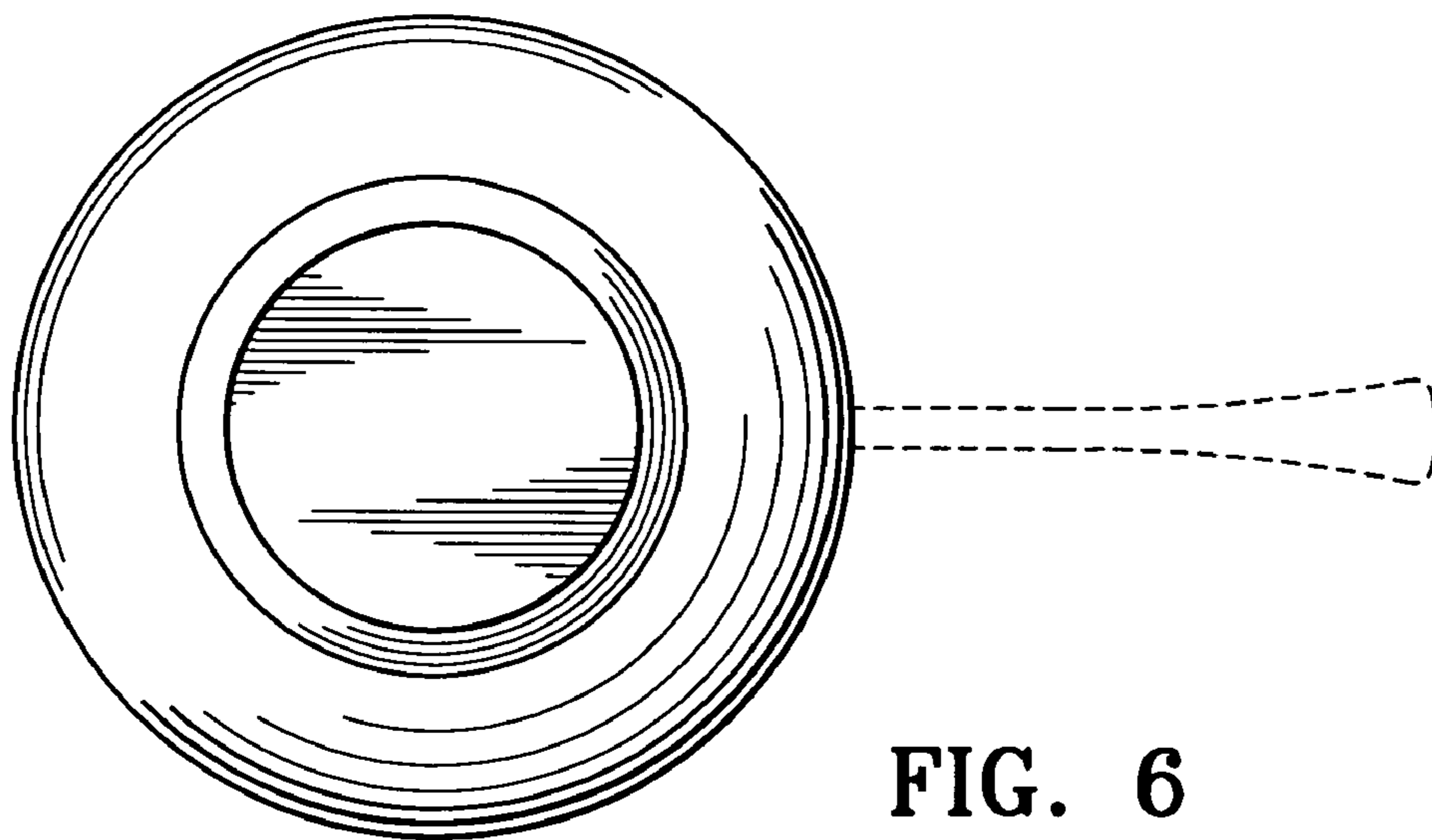


FIG. 6

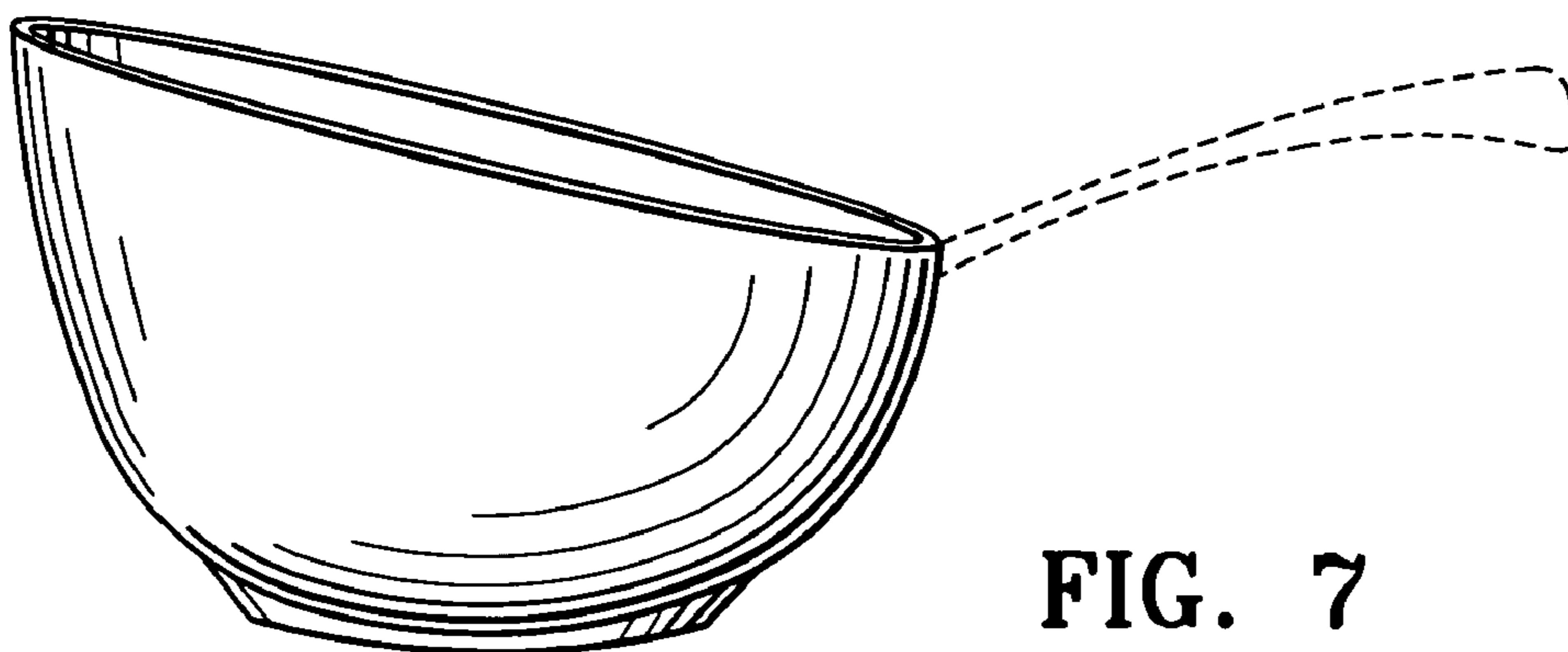


FIG. 7