



US00D586610S

(12) **United States Design Patent**
Hu

(10) **Patent No.:** **US D586,610 S**

(45) **Date of Patent:** **** Feb. 17, 2009**

(54) **PORTABLE CHARCOAL GRILL**

(76) Inventor: **Xiao Rong Hu**, 803 Clearwater Ct.,
Walnut, CA (US) 91789

(**) Term: **14 Years**

(21) Appl. No.: **29/310,697**

(22) Filed: **Sep. 4, 2008**

(30) **Foreign Application Priority Data**

Jul. 18, 2008 (CN) 2008 2 0127663

(51) **LOC (9) Cl.** **07-02**

(52) **U.S. Cl.** **D7/337**

(58) **Field of Classification Search** D7/332,
D7/334-337, 402-405, 407; 126/25 R, 29-30,
126/25 A, 25 AA, 9 R, 38, 37 R, 41 R, 40,
126/39 E, 39 H, 50, 276, 268, 519, 506; 99/481-482,
99/646 R

See application file for complete search history.

(56) **References Cited**

U.S. PATENT DOCUMENTS

D234,286 S * 2/1975 McKenny et al. D7/337
D276,303 S * 11/1984 Chan D7/337
D277,541 S * 2/1985 Espinda D7/337

D290,923 S * 7/1987 Erickson D7/337
D356,005 S * 3/1995 Goble D7/337
D414,648 S * 10/1999 Demirjian D7/332
D484,737 S * 1/2004 Bodum D7/337
D520,803 S * 5/2006 Lu D7/335

* cited by examiner

Primary Examiner—Ruth McInroy

(74) *Attorney, Agent, or Firm*—Clement Cheng

(57) **CLAIM**

I claim the ornamental design for a portable charcoal grill, as shown and described.

DESCRIPTION

FIG. 1 is a perspective view of a portable charcoal grill showing my new design;

FIG. 2 is a front view thereof;

FIG. 3 is a rear view thereof;

FIG. 4 is a right side view thereof;

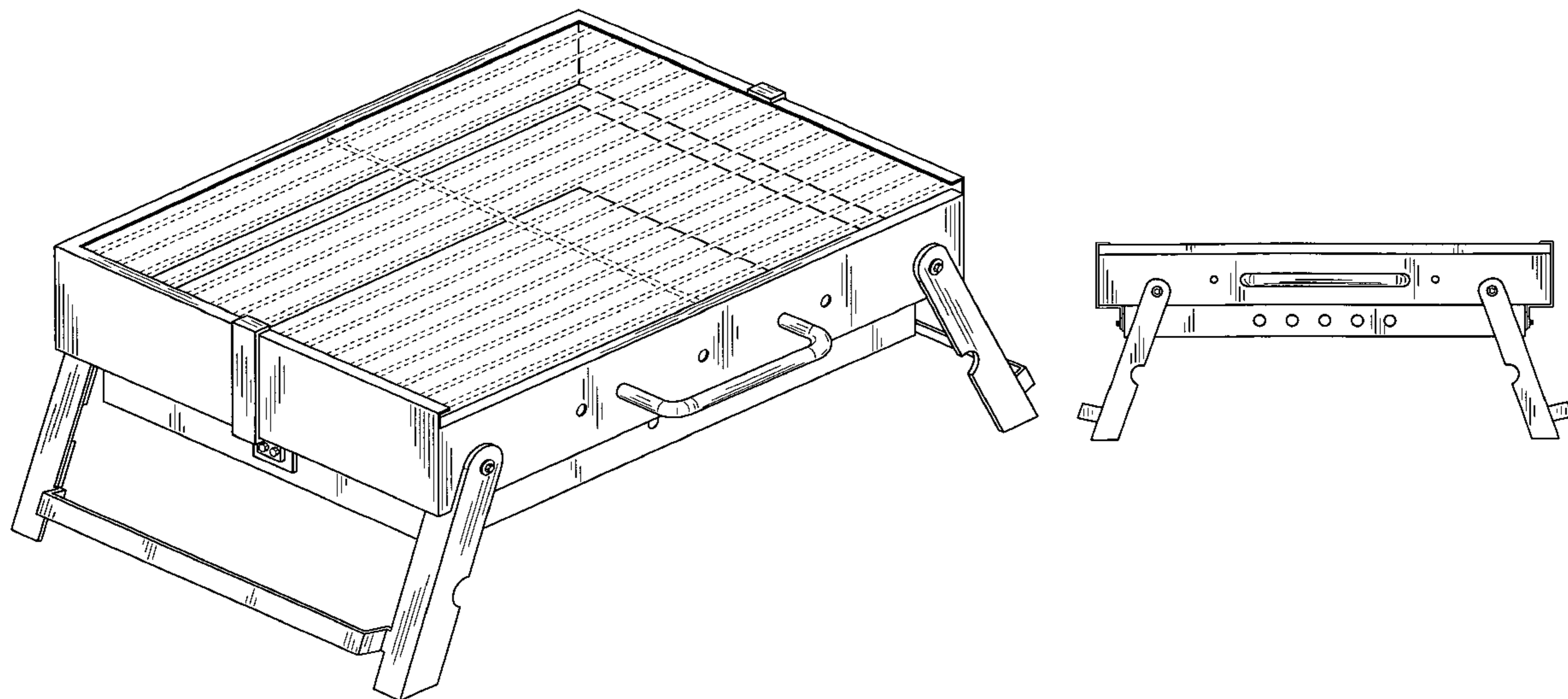
FIG. 5 is a left side view thereof;

FIG. 6 is a top view thereof;

FIG. 7 is a bottom view thereof; and,

FIG. 8 is a front view thereof in a folded position.

1 Claim, 3 Drawing Sheets



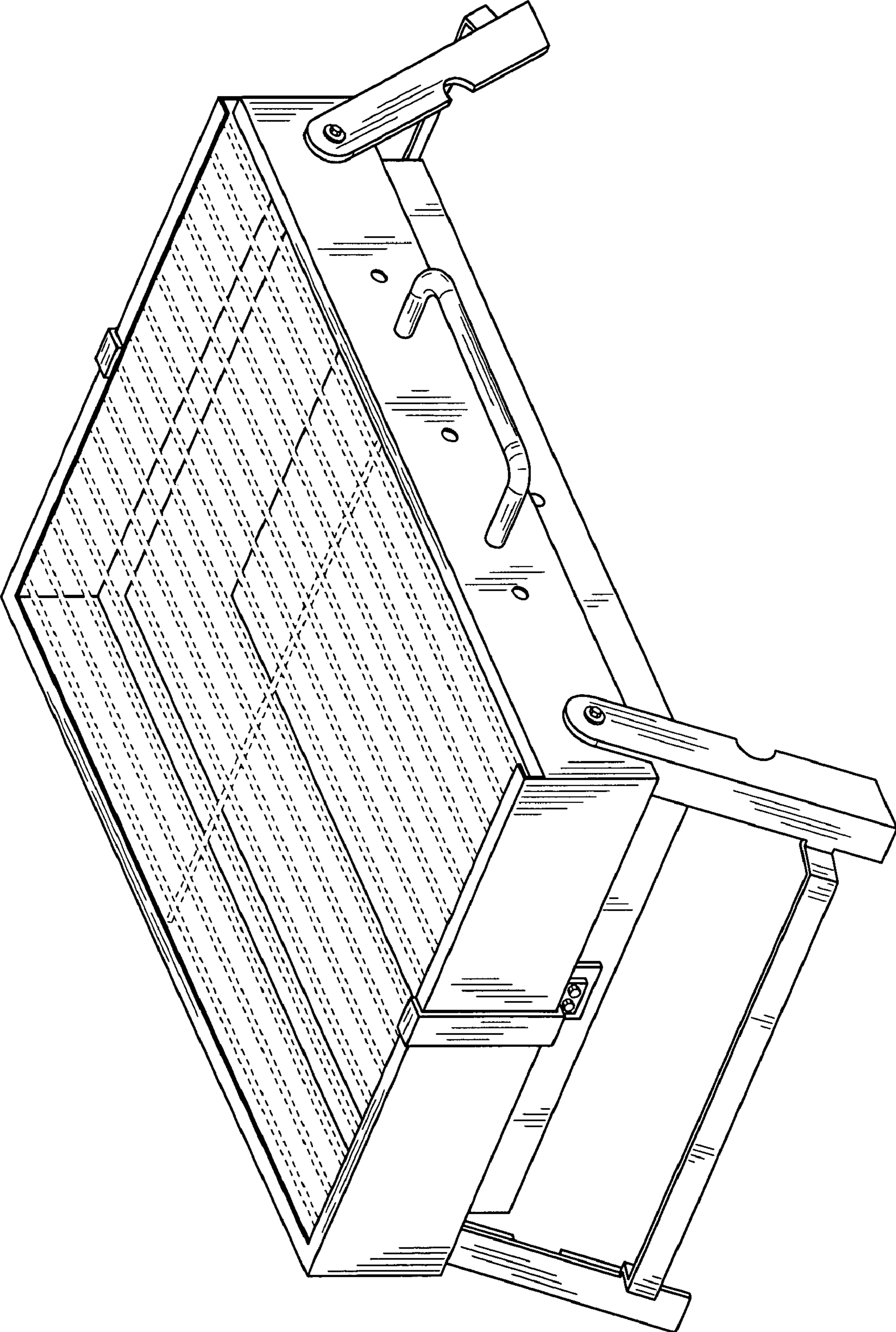


FIG. 1

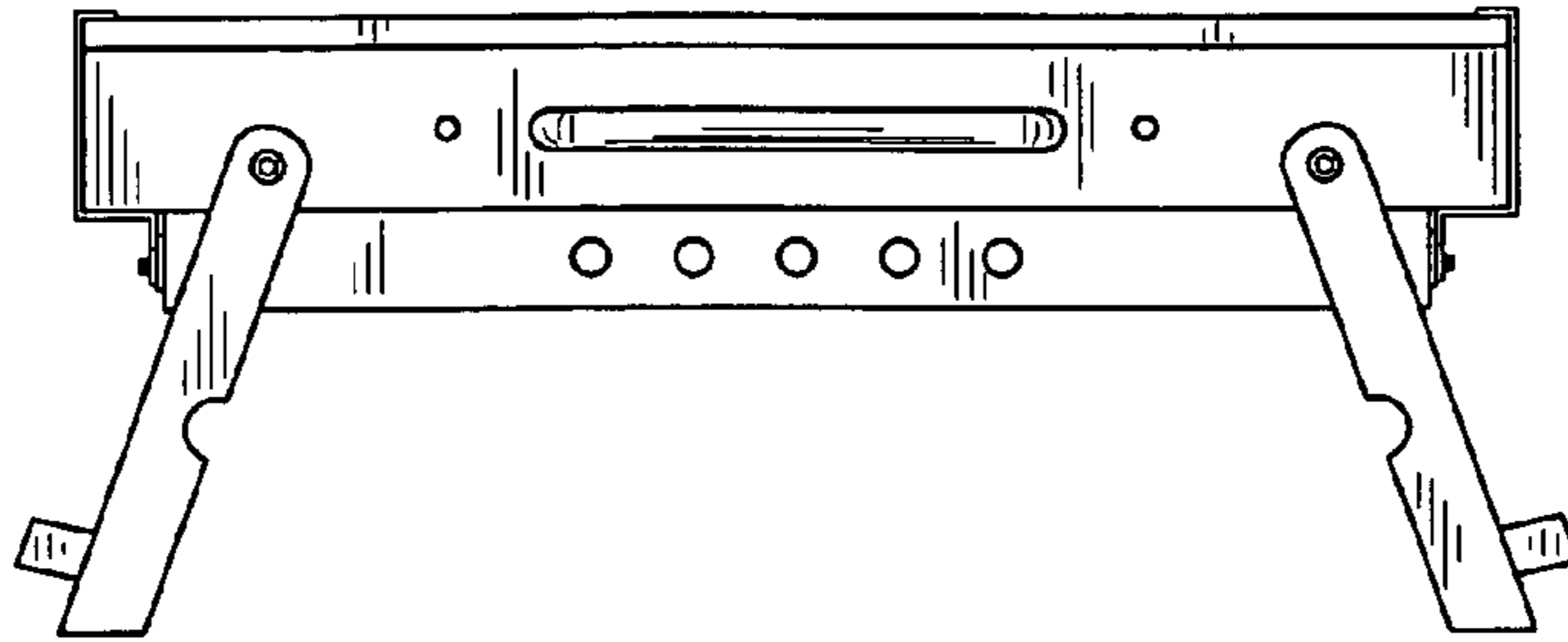


FIG. 2

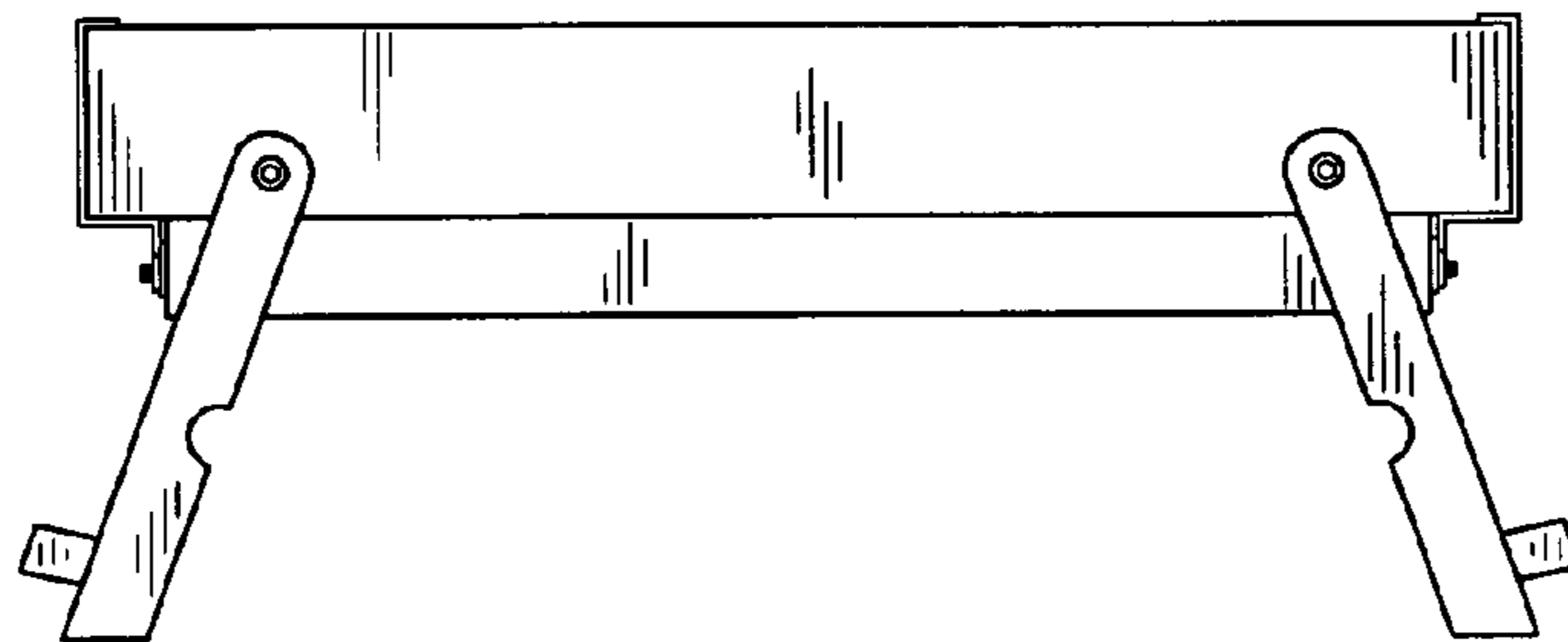


FIG. 3

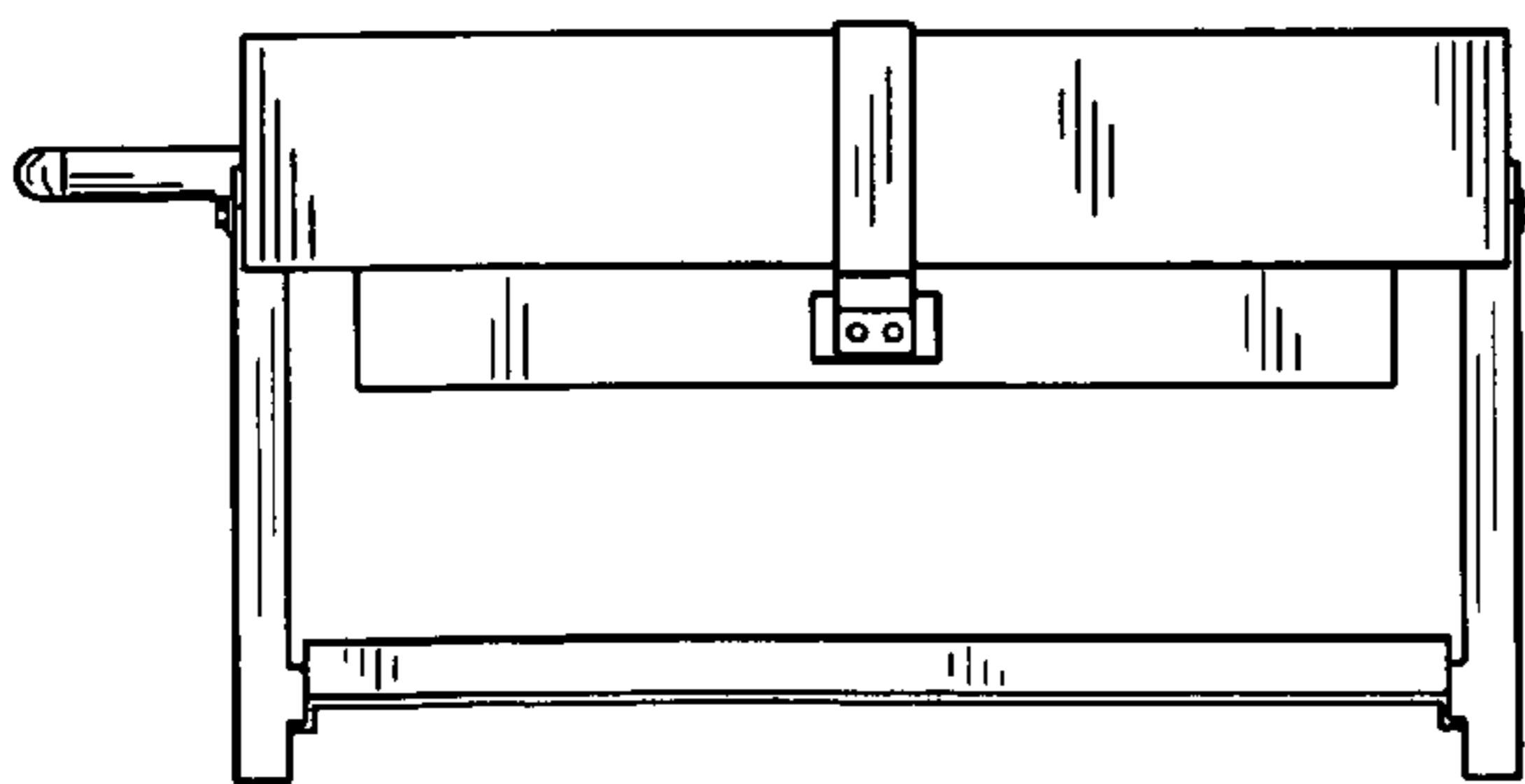


FIG. 4

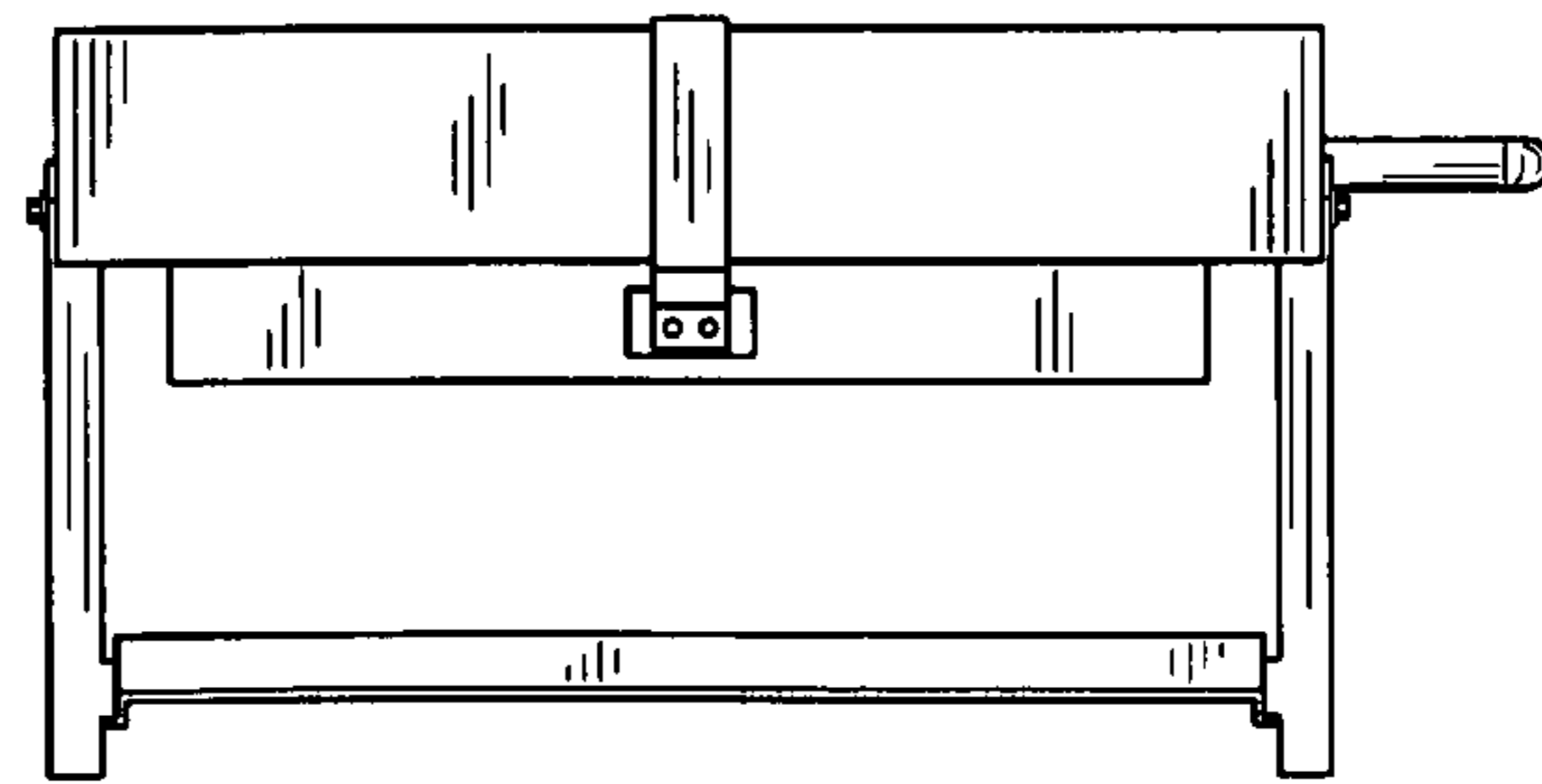


FIG. 5

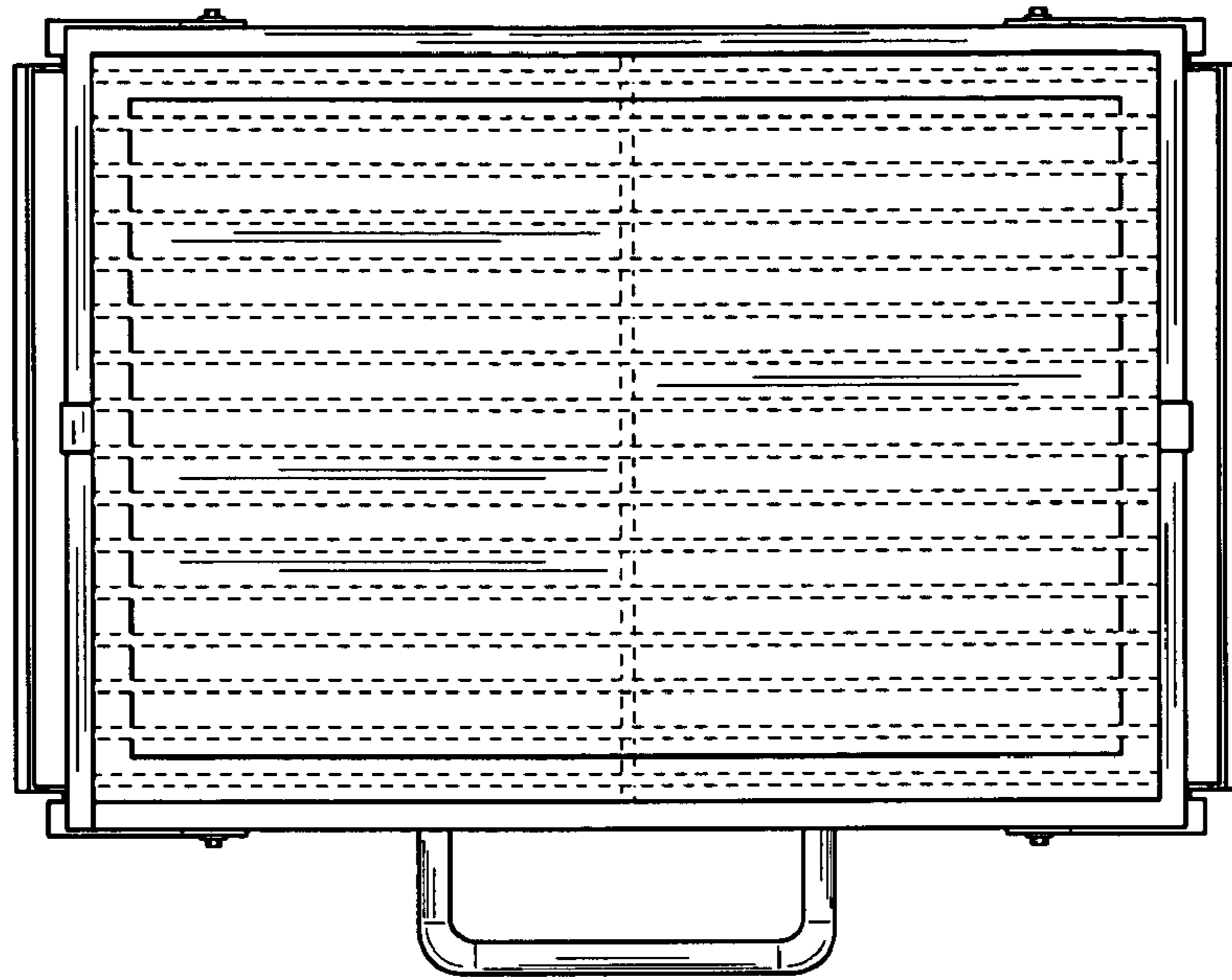


FIG. 6

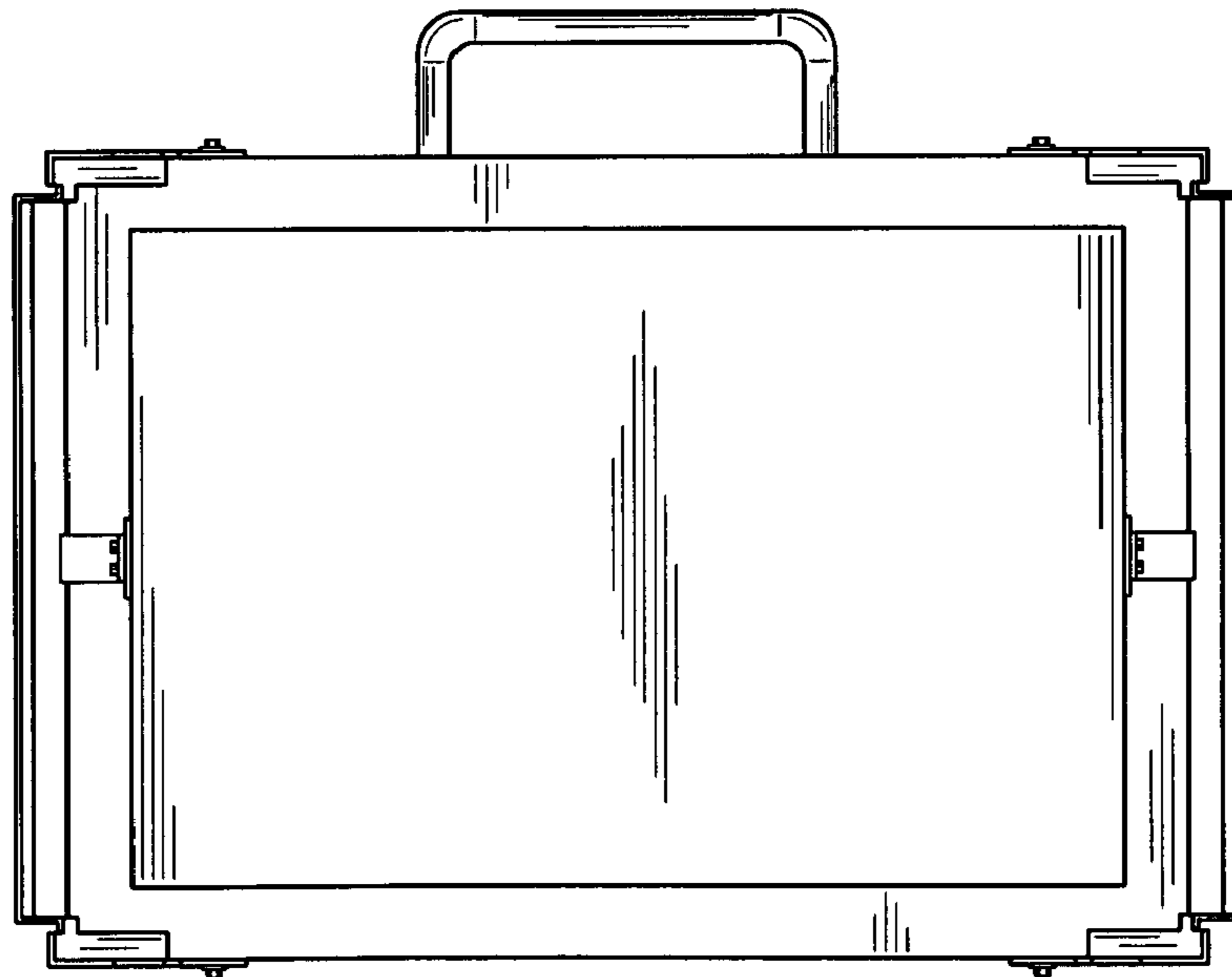


FIG. 7

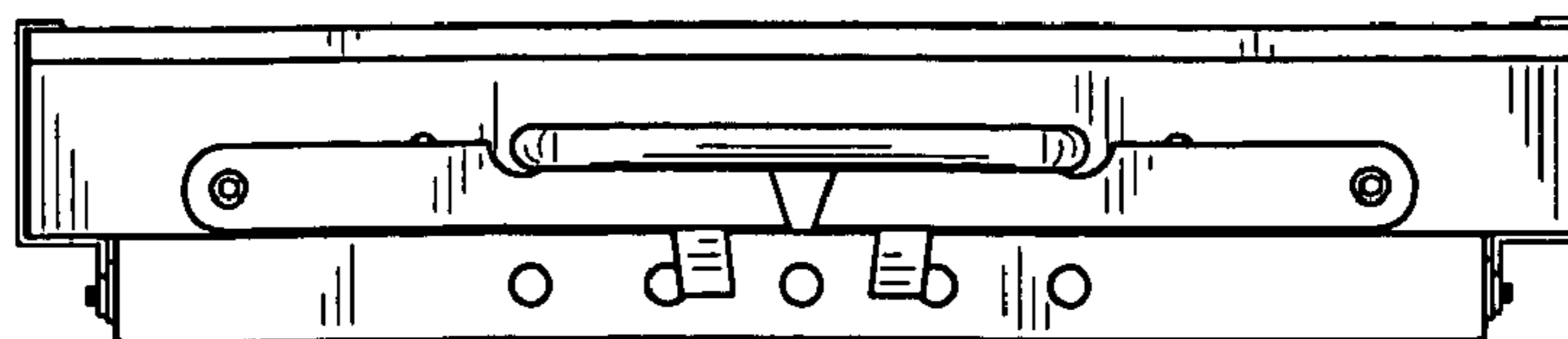


FIG. 8