



US00D586608S

(12) **United States Design Patent**  
**May**

(10) **Patent No.:** **US D586,608 S**  
(45) **Date of Patent:** **\*\* Feb. 17, 2009**

(54) **VERTICAL SMOKER**

D578,334 S \* 10/2008 Abrahams ..... D7/334

(75) Inventor: **Randall L. May**, Plano, TX (US)

(73) Assignee: **The Brinkmann Corporation**, Dallas, TX (US)

(\*\*) Term: **14 Years**

(21) Appl. No.: **29/319,925**

(22) Filed: **Jun. 17, 2008**

(51) **LOC (9) Cl.** ..... **07-02**

(52) **U.S. Cl.** ..... **D7/332**

(58) **Field of Classification Search** ..... D7/332,  
D7/334-337, 402-405, 407; 126/25 R, 29-30,  
126/25 A, 25 AA, 9 R, 38, 37 R, 41 R, 40,  
126/39 E, 39 H, 50, 276, 268, 519, 506; 99/481-482,  
99/646 R

See application file for complete search history.

(56) **References Cited**

**U.S. PATENT DOCUMENTS**

1,327,937	A *	1/1920	Bilderback	.....	99/481
D131,468	S	3/1942	Howard		
2,842,043	A *	7/1958	Renland	.....	99/482
4,130,052	A	12/1978	Jacobson		
D253,683	S	12/1979	Goetz		
D260,723	S	9/1981	Schifter		
D267,769	S *	2/1983	Pope	.....	D7/332
4,643,162	A	2/1987	Collins		
5,078,049	A	1/1992	Glanton		
D328,548	S	8/1992	Christie		
D330,991	S *	11/1992	Christie	.....	D7/335
D374,371	S *	10/1996	Hall McDonald	.....	D7/332
D442,819	S	5/2001	Masters		
D460,893	S *	7/2002	Rowe	.....	D7/334
6,644,178	B2 *	11/2003	Clark	.....	99/482
D493,328	S *	7/2004	Wood	.....	D7/332

**OTHER PUBLICATIONS**

Brinkmann Square Vertical Charcoal Smoker. Retrieved from Internet on Dec. 1, 2008. [http://www.walmart.com/catalog/product.do?product\\_id=3342509](http://www.walmart.com/catalog/product.do?product_id=3342509).\*

Internet printout from NexTag Comparison Shopping website at <http://www.nextag.com/smoker-vertical/search-html> printed on Sep. 17, 2008—Weston, Brinkmann, and Prago Trade vertical smokers (3 pgs.).

Internet printout from Cabela's website at <http://www.cabelas.com> printed on Sep. 17, 2008—Cabela's Stainless Vertical Propane Smoker (2 pgs.).

Internet printout from Integrated Marketing Solutions, LLC website at <http://www.barbecue-smoker-grill.com/41-0101-w.html> printed on Sep. 17, 2008—Weston Vertical Propane Smoker (3 pgs.).

\* cited by examiner

*Primary Examiner*—Ruth McInroy

(74) *Attorney, Agent, or Firm*—Sheppard, Mullin, Richter & Hampton LLP

(57) **CLAIM**

I claim the ornamental design for a vertical smoker, as shown and described.

**DESCRIPTION**

FIG. 1 is a perspective view of the vertical smoker showing the new design;

FIG. 2 is a front elevational view thereof;

FIG. 3 is a rear elevational view thereof;

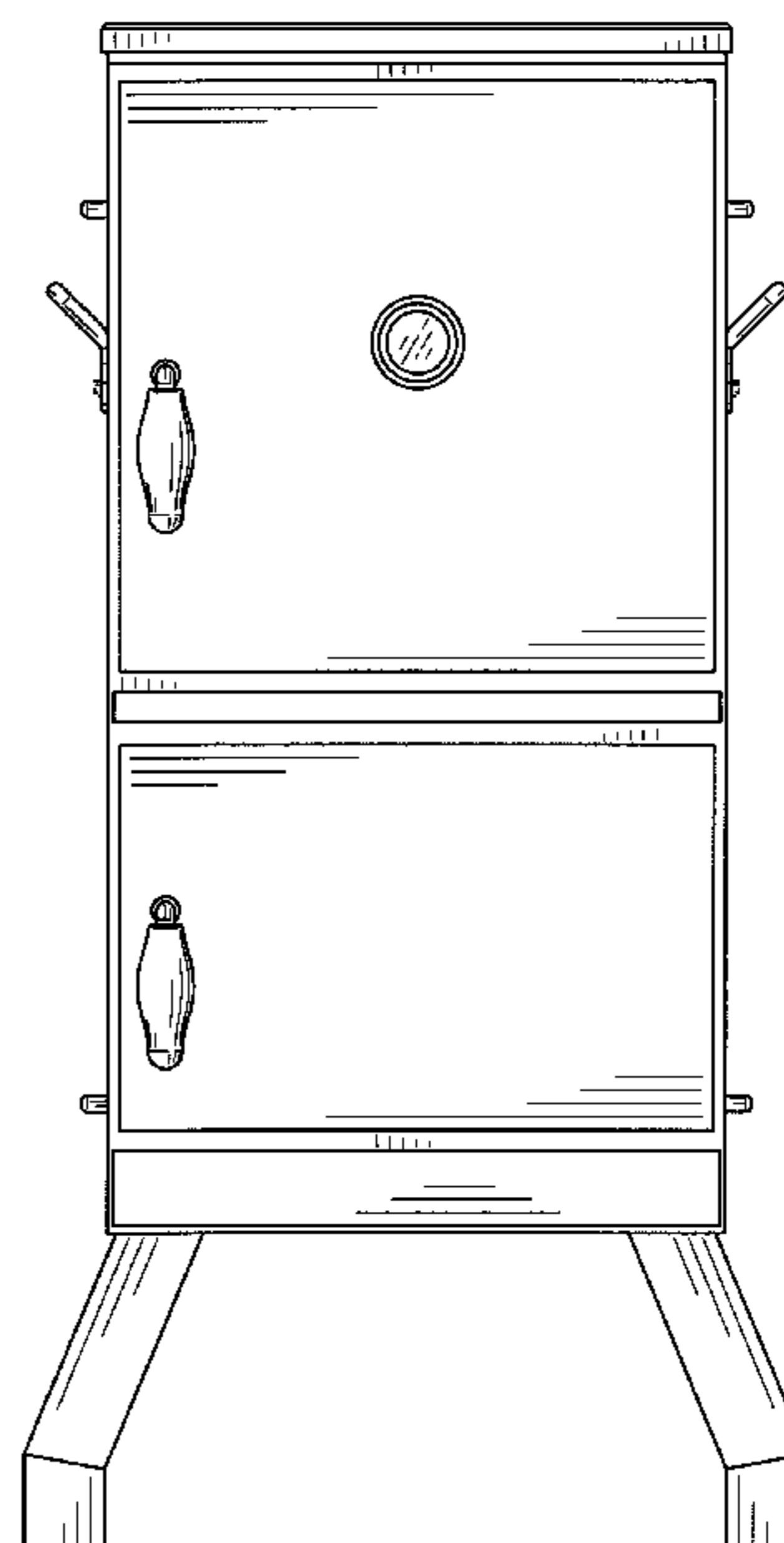
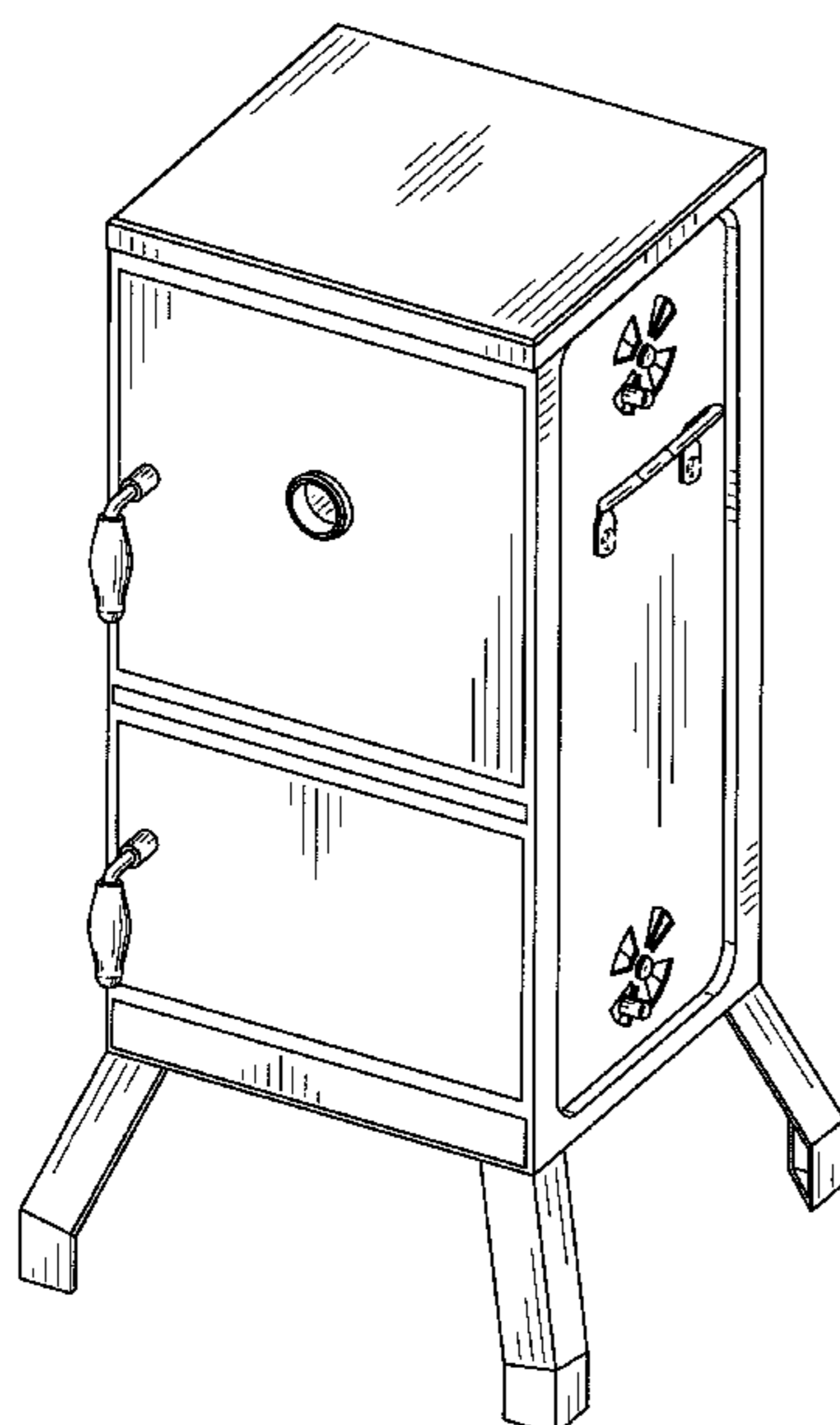
FIG. 4 is a left side elevational view thereof;

FIG. 5 is a right side elevational view thereof;

FIG. 6 is a top plan view thereof; and,

FIG. 7 is a bottom plan view thereof.

**1 Claim, 6 Drawing Sheets**



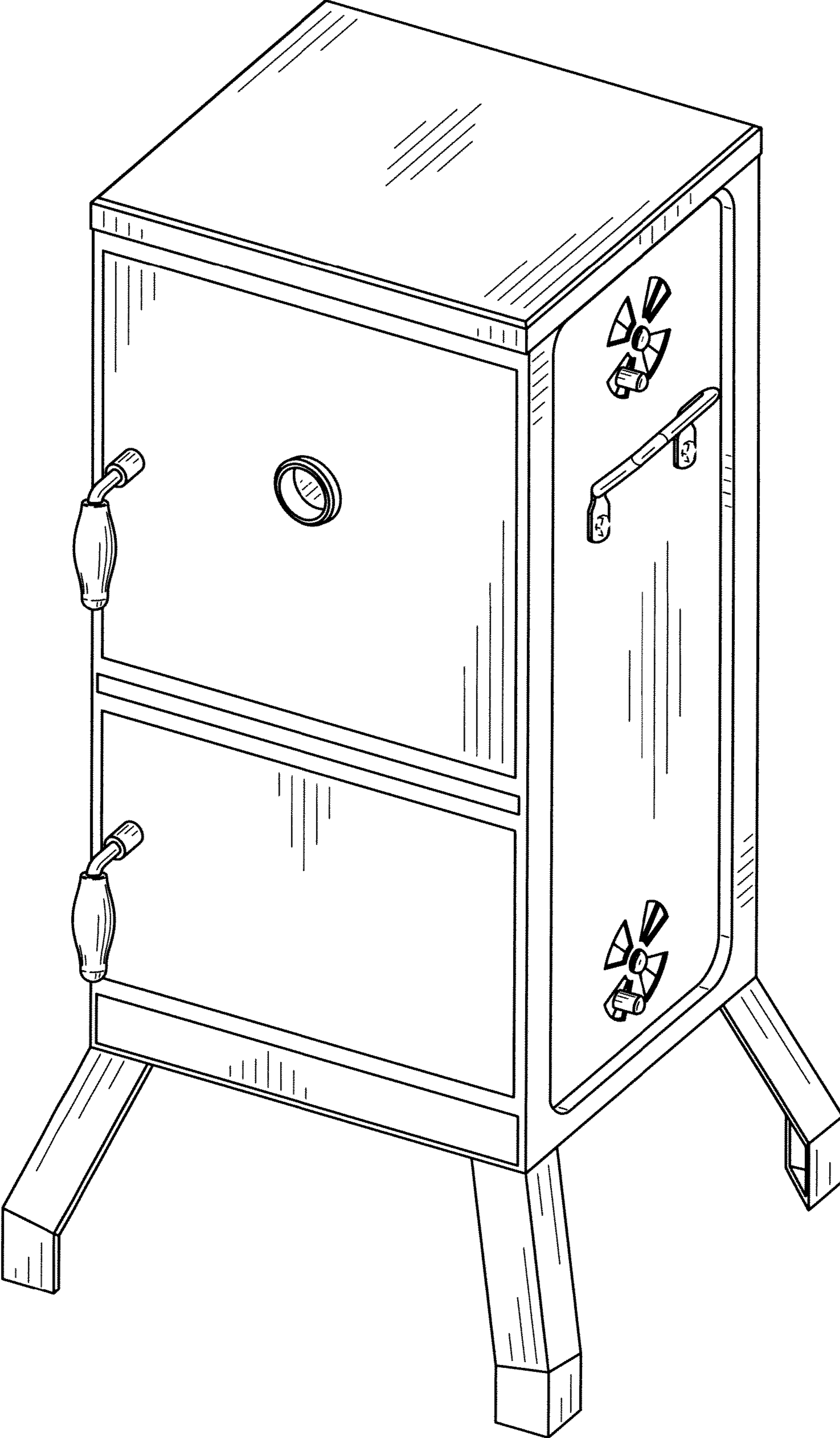


FIG. 1

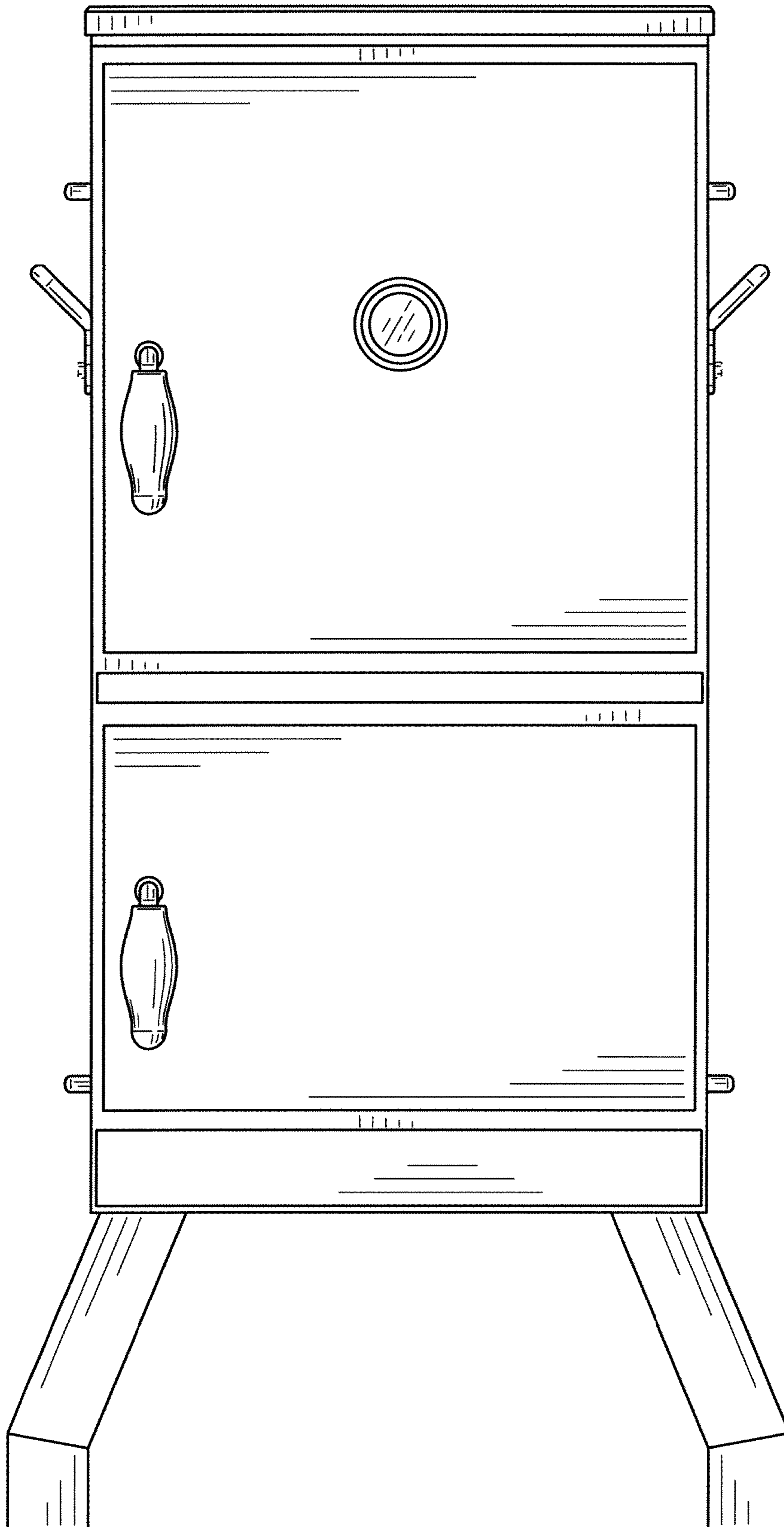


FIG. 2

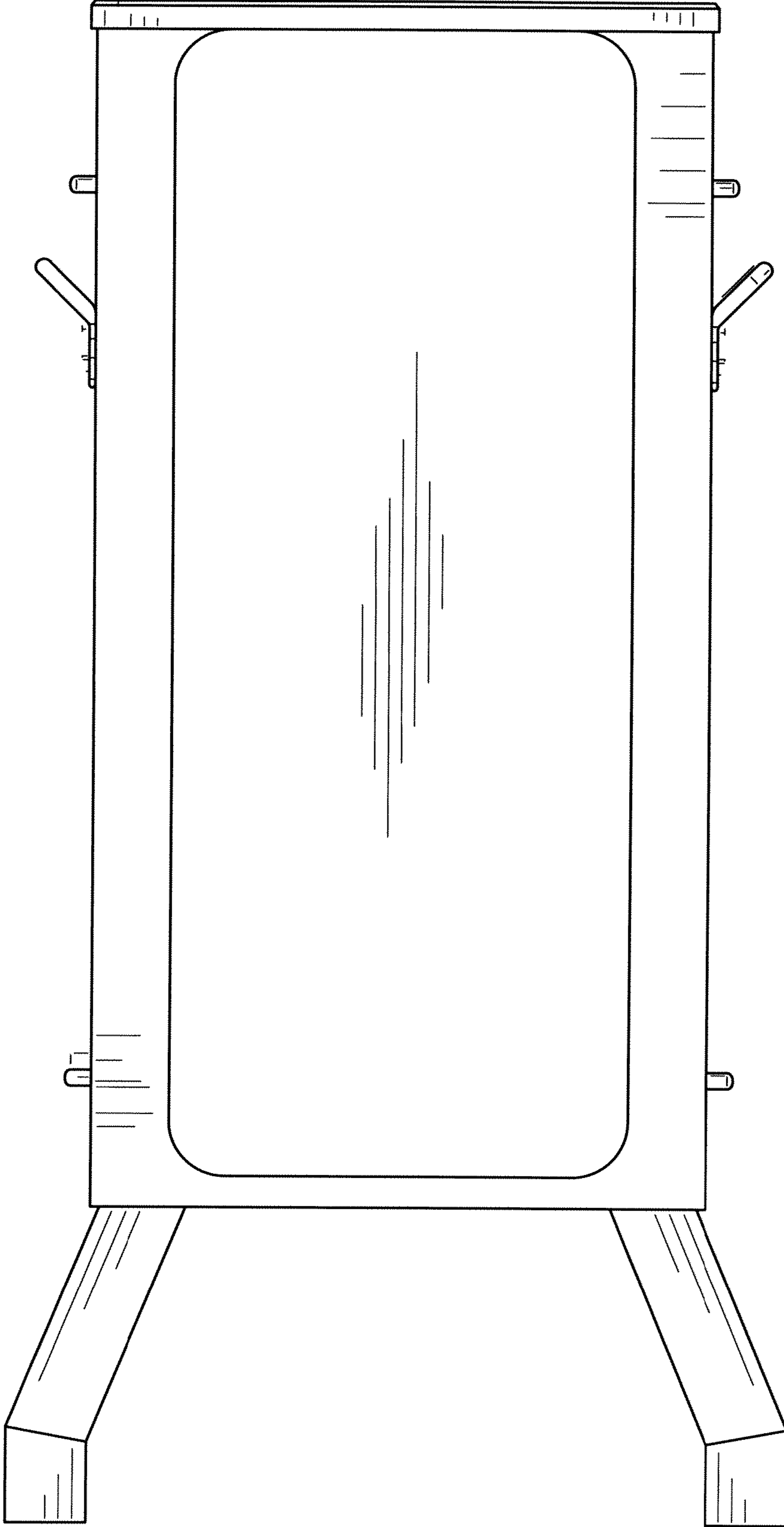


FIG. 3

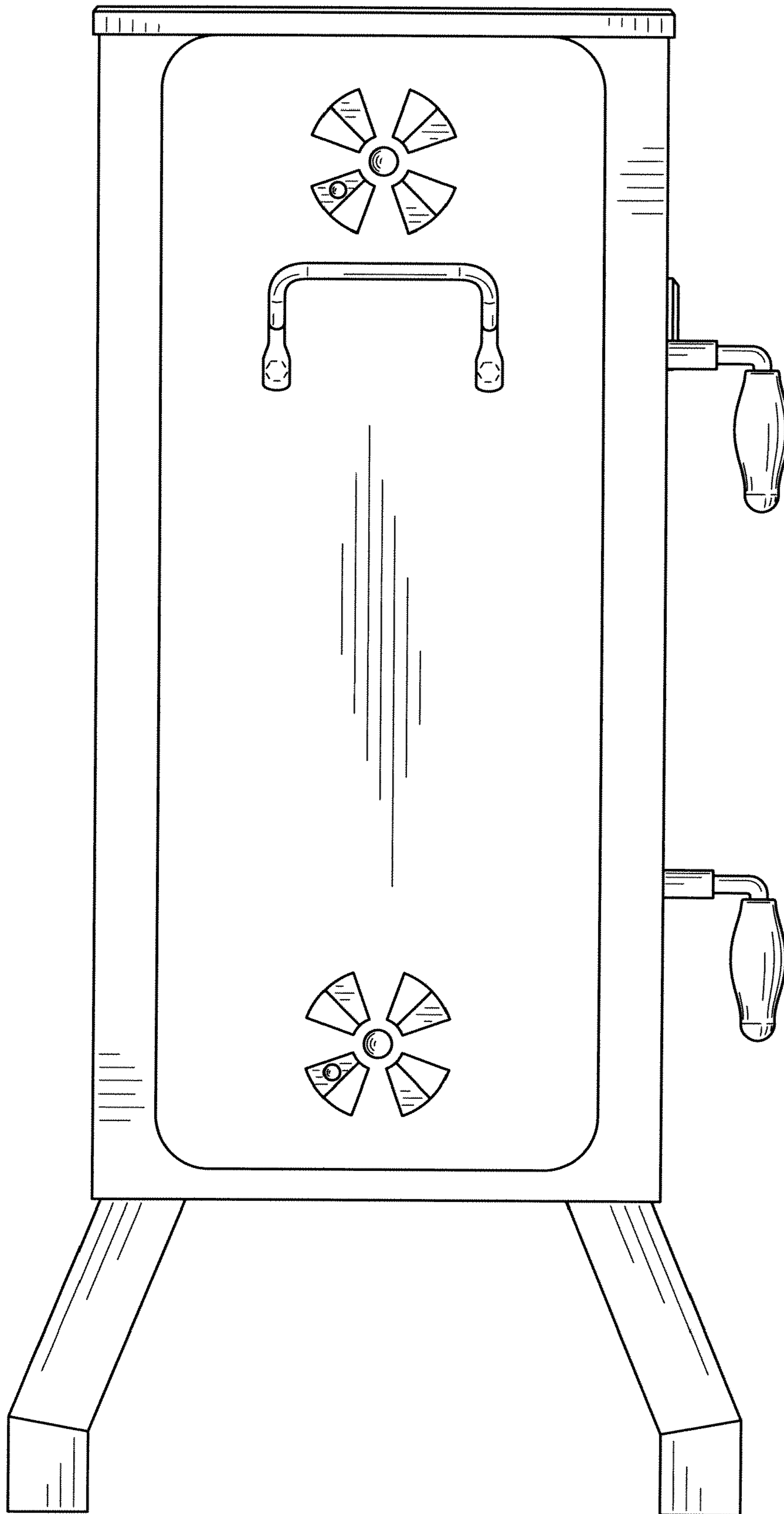


FIG. 4

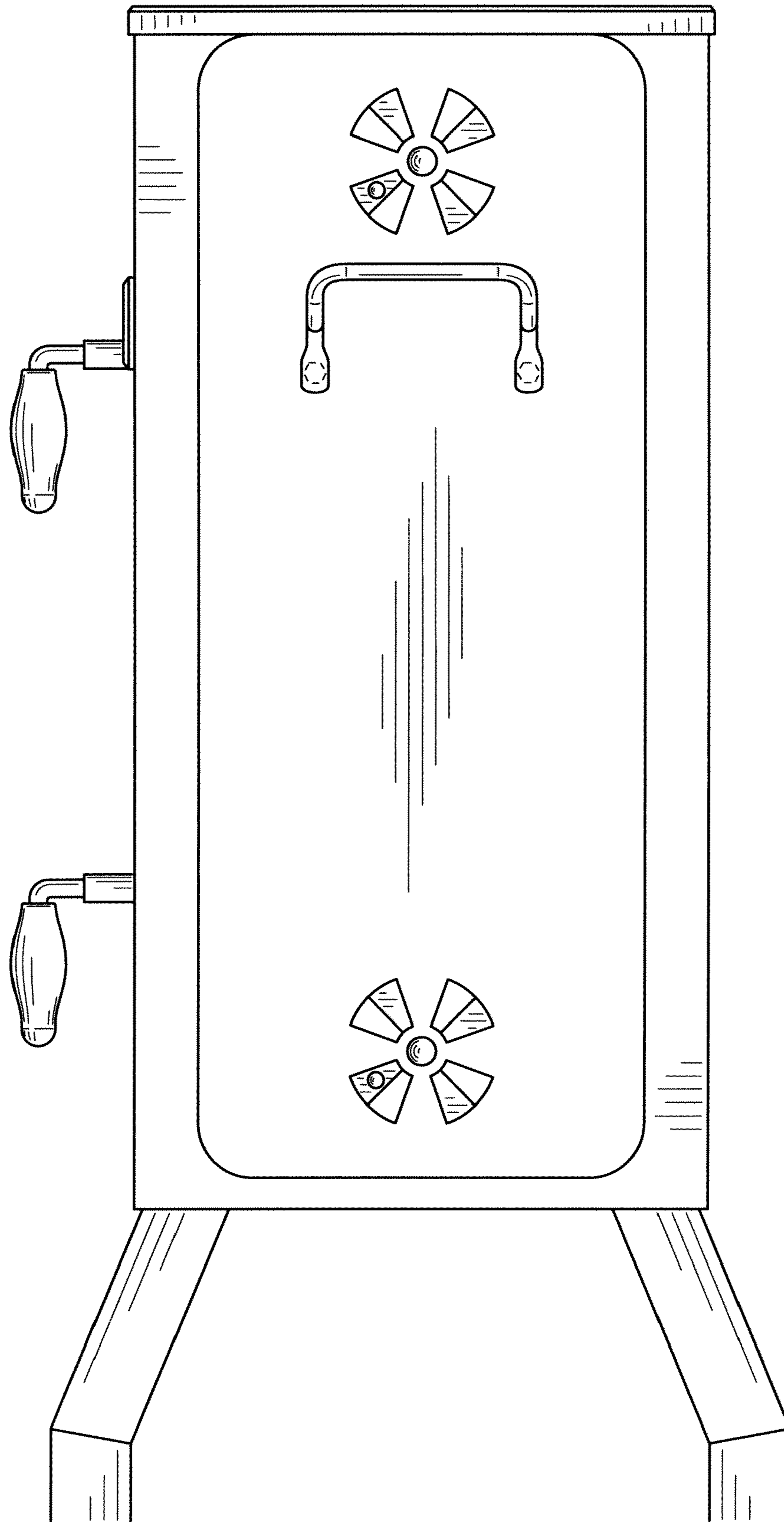


FIG. 5

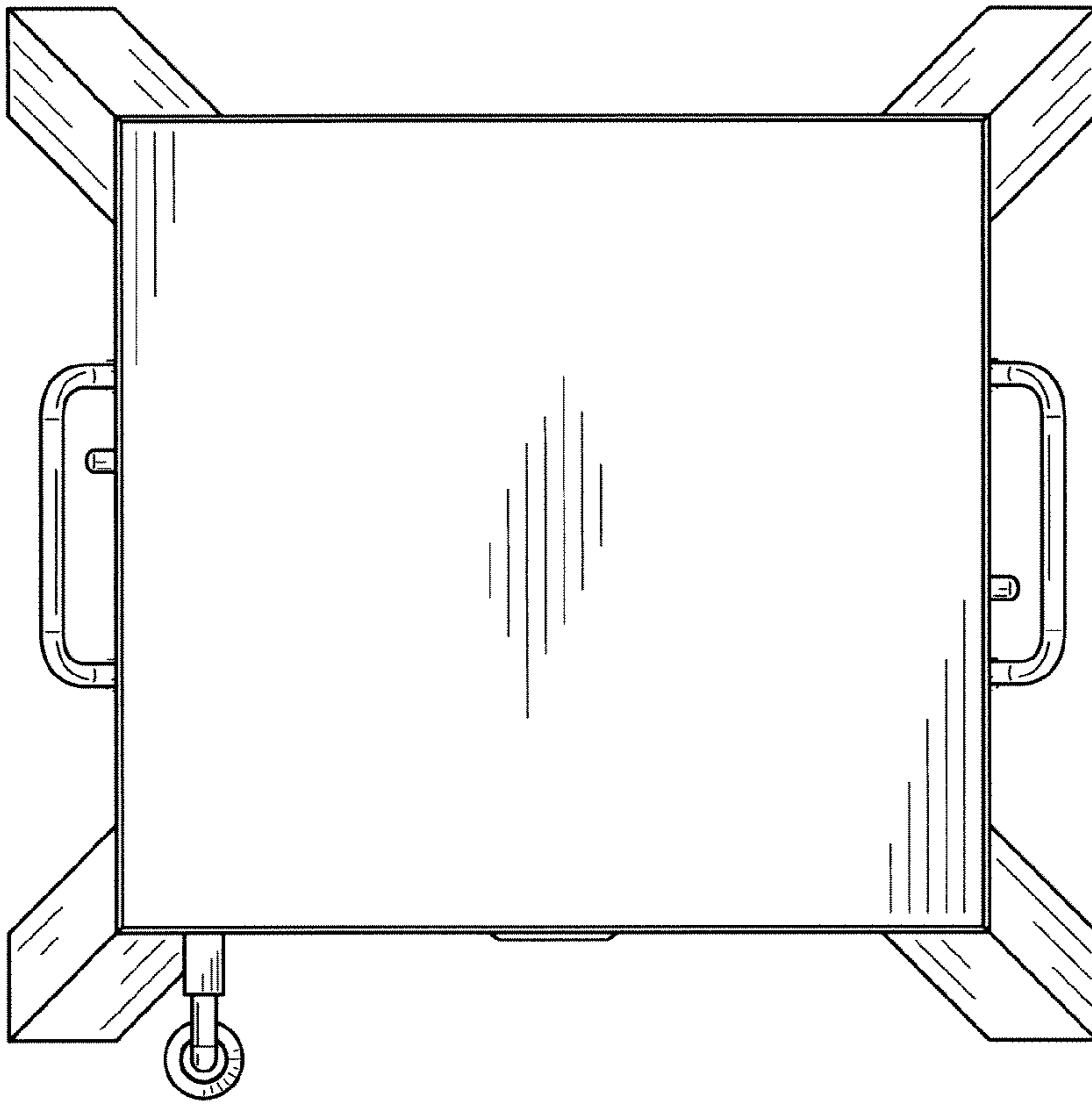


FIG. 6

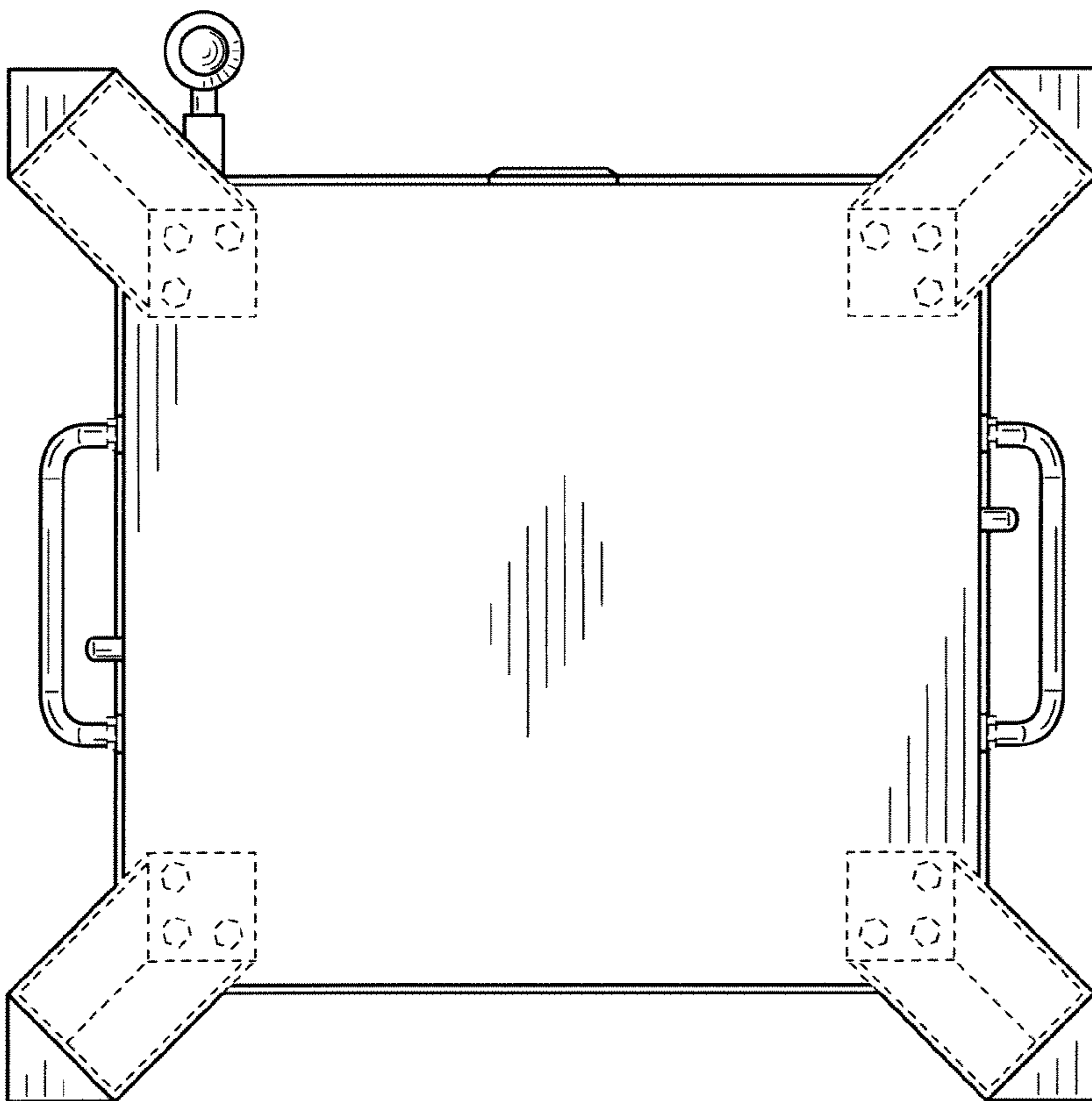


FIG. 7