



US00D586607S

(12) **United States Design Patent**
Callantine

(10) **Patent No.:** **US D586,607 S**

(45) **Date of Patent:** **** Feb. 17, 2009**

(54) **MIXER AND WARMER FOR INFANT FORMULA**

(76) Inventor: **Deborah Callantine**, 6601 Blue Oaks Blvd., Apt. 2904, Rocklin, CA (US) 95765

(**) Term: **14 Years**

(21) Appl. No.: **29/321,699**

(22) Filed: **Jul. 22, 2008**

(51) **LOC (9) Cl.** **07-02**

(52) **U.S. Cl.** **D7/326**

(58) **Field of Classification Search** D7/301, D7/306, 309-311, 317-318, 356, 376-386, D7/412-415, 665; 99/279-280, 289 R, 305, 99/323.3, 348, 509-511; 241/30-37.5, 101.01-101.2, 241/166-169.1, 274-278.2, 285.1-285.3, 241/291, 292.1; 366/64-67, 98, 192, 197-211, 366/205-206, 241-254, 279-292, 341-343

See application file for complete search history.

(56) **References Cited**

U.S. PATENT DOCUMENTS

D380,640 S *	7/1997	Mackay	D7/310
D407,262 S *	3/1999	Dingelstad	D7/309
D432,850 S *	10/2000	Saltet	D7/309
D438,749 S *	3/2001	Joergensen	D7/309
D487,213 S *	3/2004	Boyle et al.	D7/378

D489,569 S *	5/2004	Smith et al.	D7/379
D501,352 S *	2/2005	Lin	D7/309
D511,270 S *	11/2005	Steiner et al.	D7/379
D530,139 S *	10/2006	Lin	D7/309
D544,744 S *	6/2007	Colman et al.	D7/301
D549,033 S *	8/2007	Colman et al.	D7/309
D556,497 S *	12/2007	Harris et al.	D7/309

* cited by examiner

Primary Examiner—Joel Sincavage

Assistant Examiner—Ricky Pham

(74) *Attorney, Agent, or Firm*—Temmerman Law Office; Mathew J. Timmerman

(57) **CLAIM**

The ornamental design for a mixer and warmer for infant formula, as shown.

DESCRIPTION

FIG. 1 is a perspective view of a mixer and warmer for infant formula showing my new design;

FIG. 2 is a left side view thereof, the right side view being a mirror image thereof;

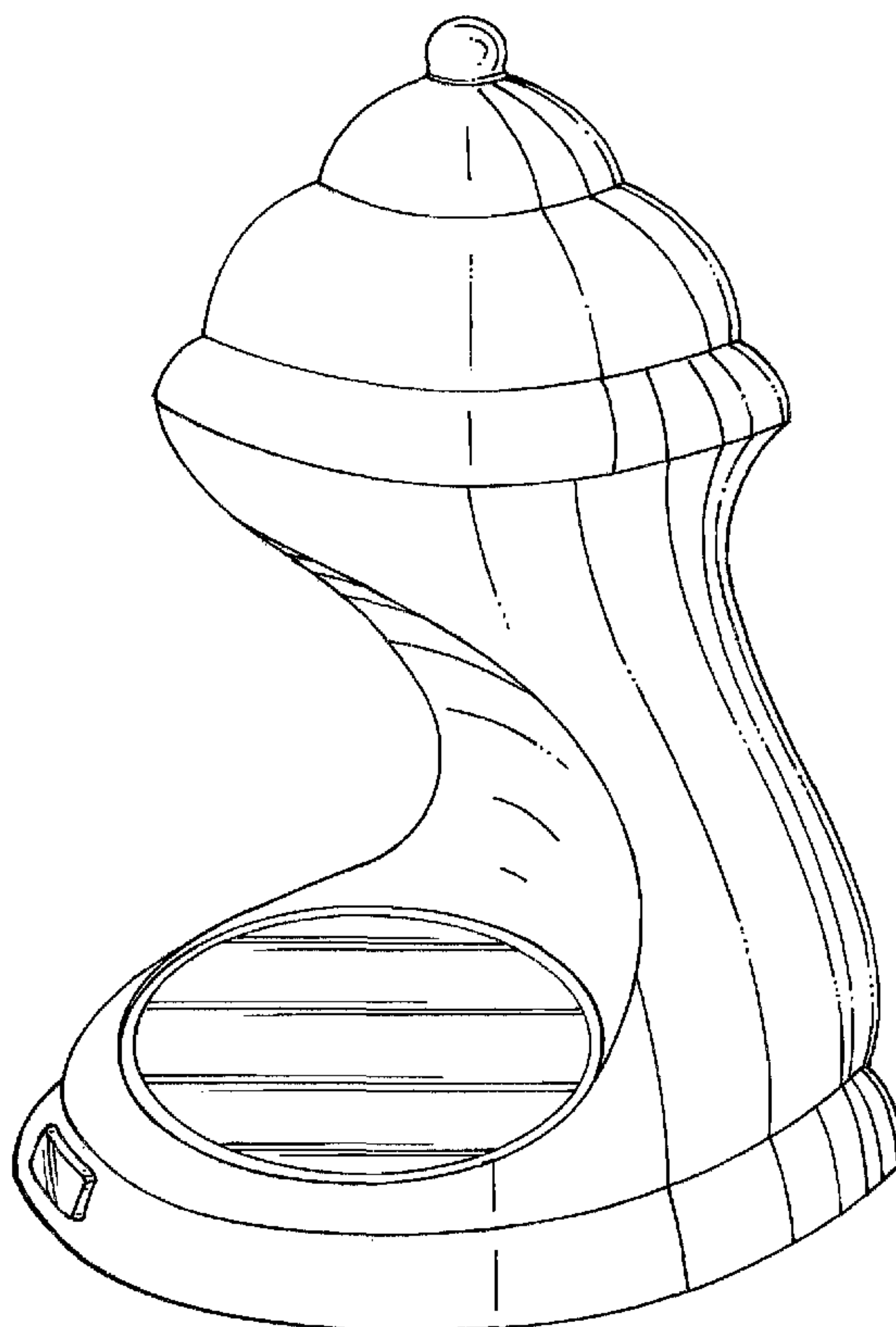
FIG. 3 is a front view thereof;

FIG. 4 is a rear view thereof;

FIG. 5 is a top plan view; and,

FIG. 6 is a bottom plan view thereof.

1 Claim, 4 Drawing Sheets



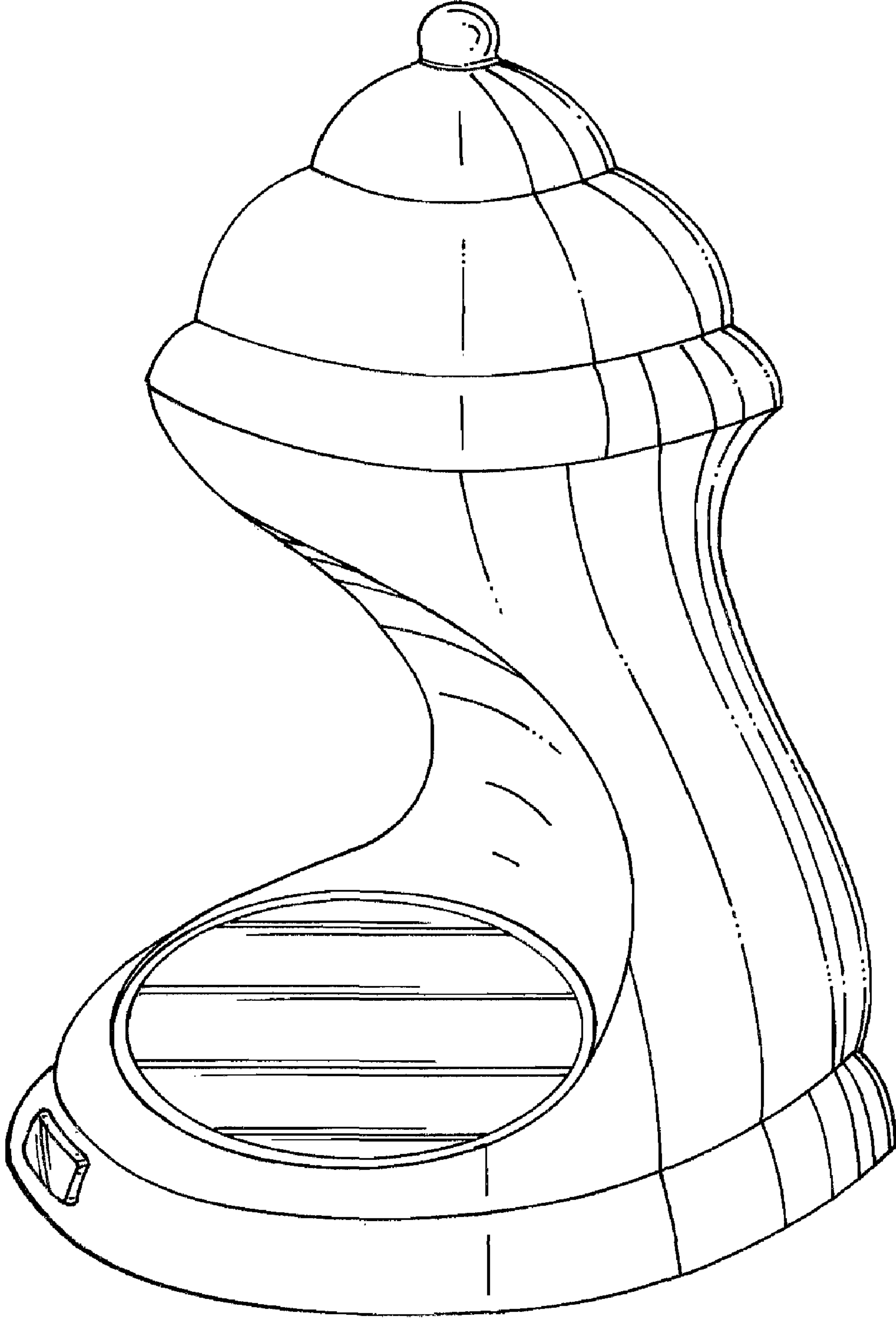


Fig. 1

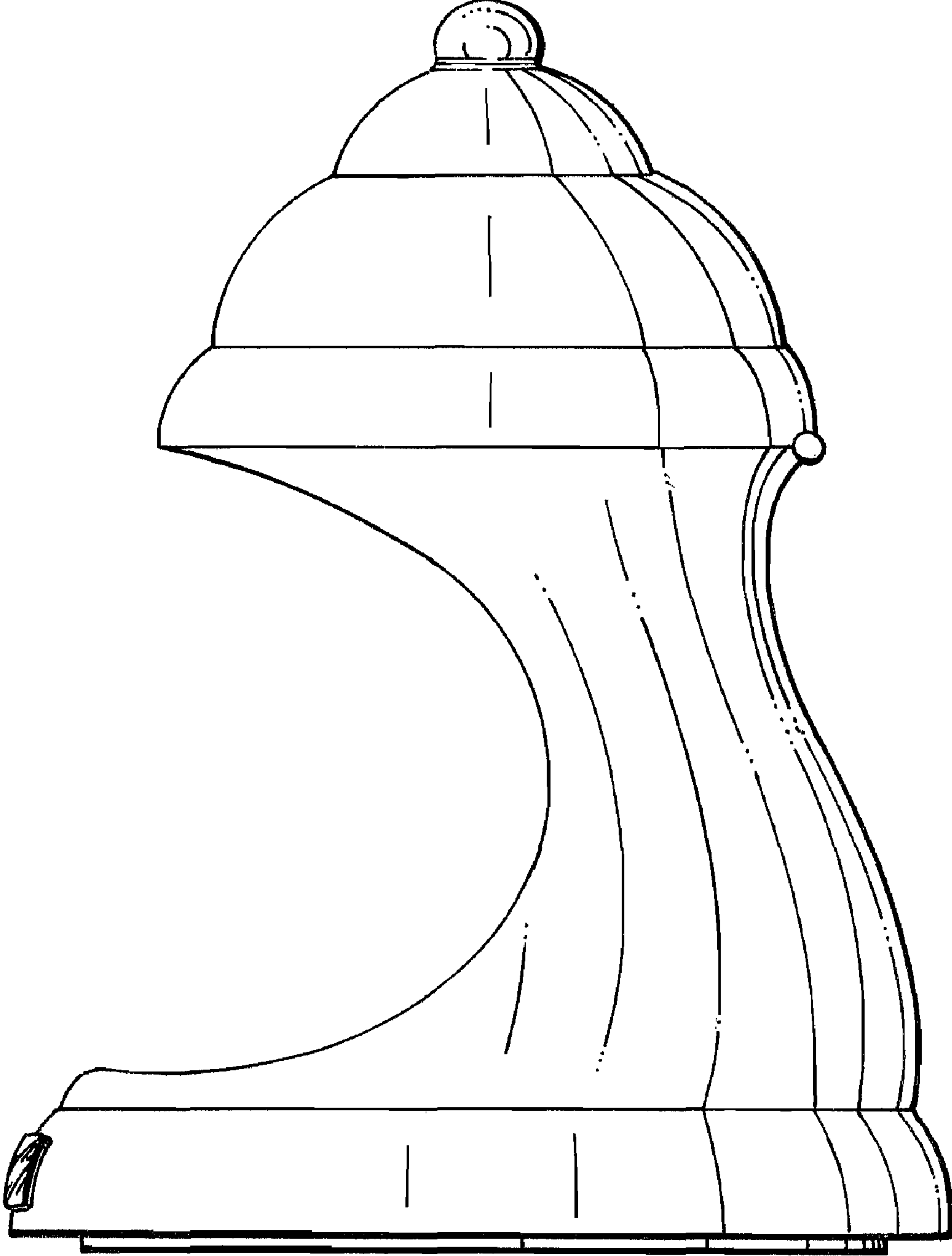


Fig. 2

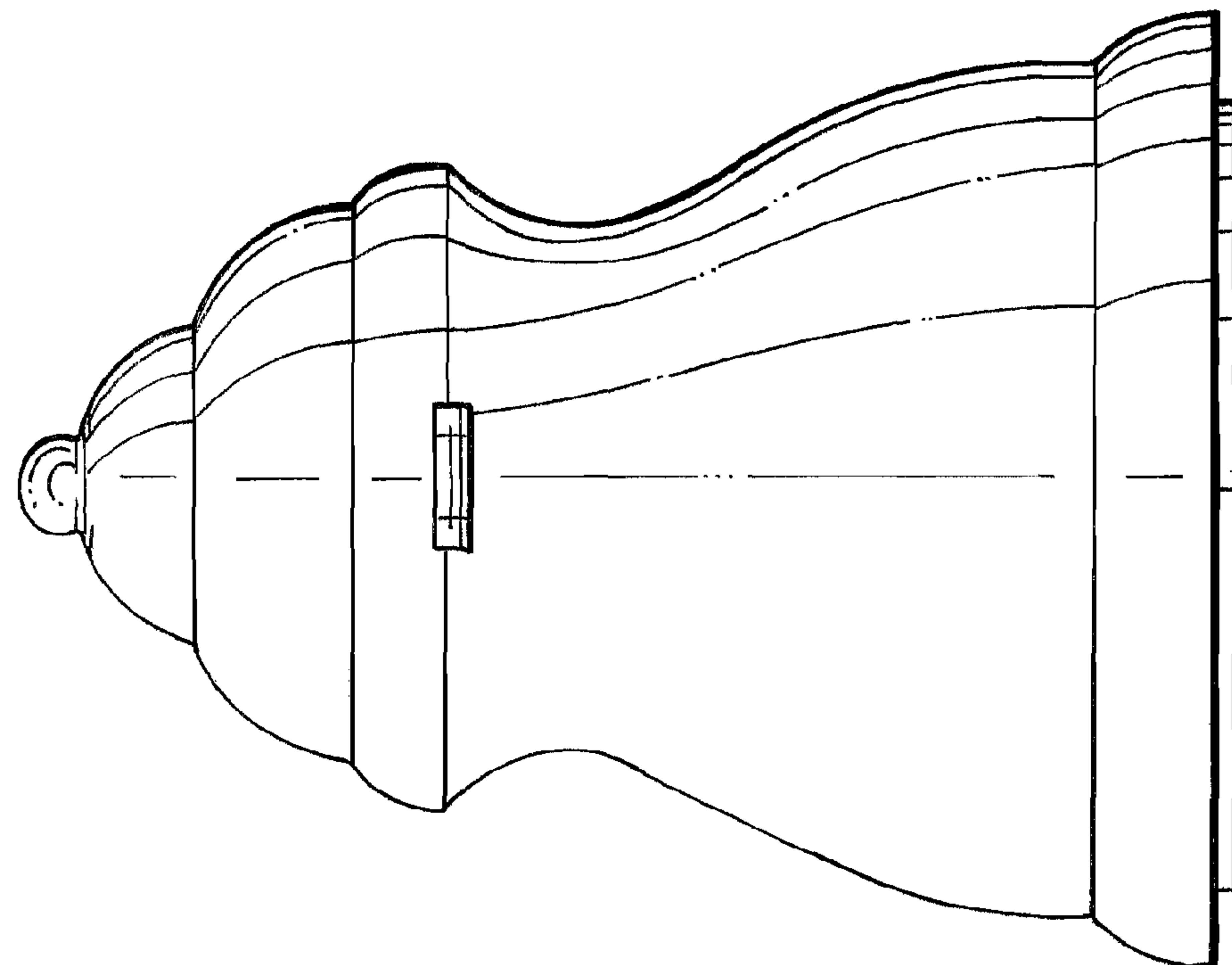


Fig. 4

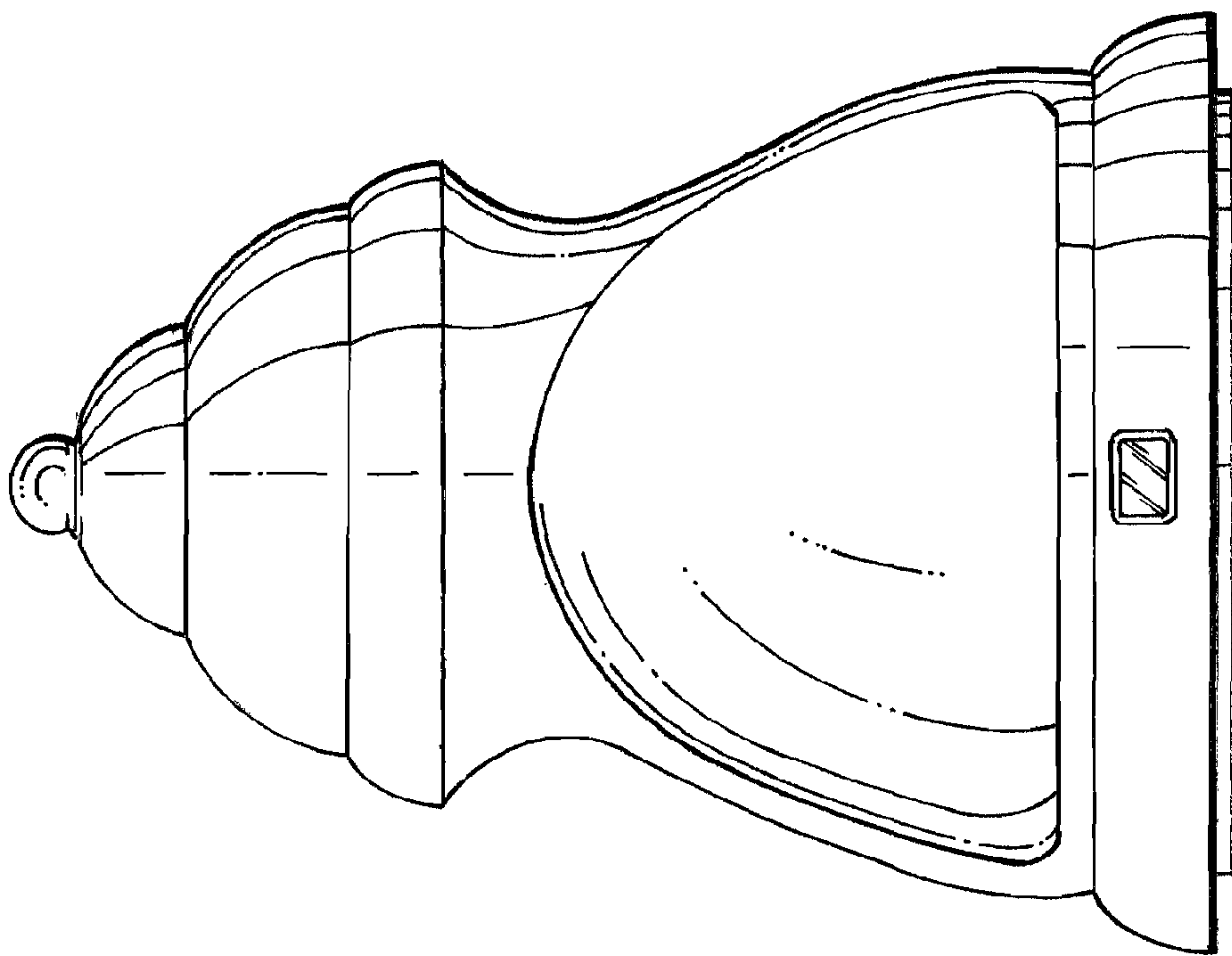


Fig. 3

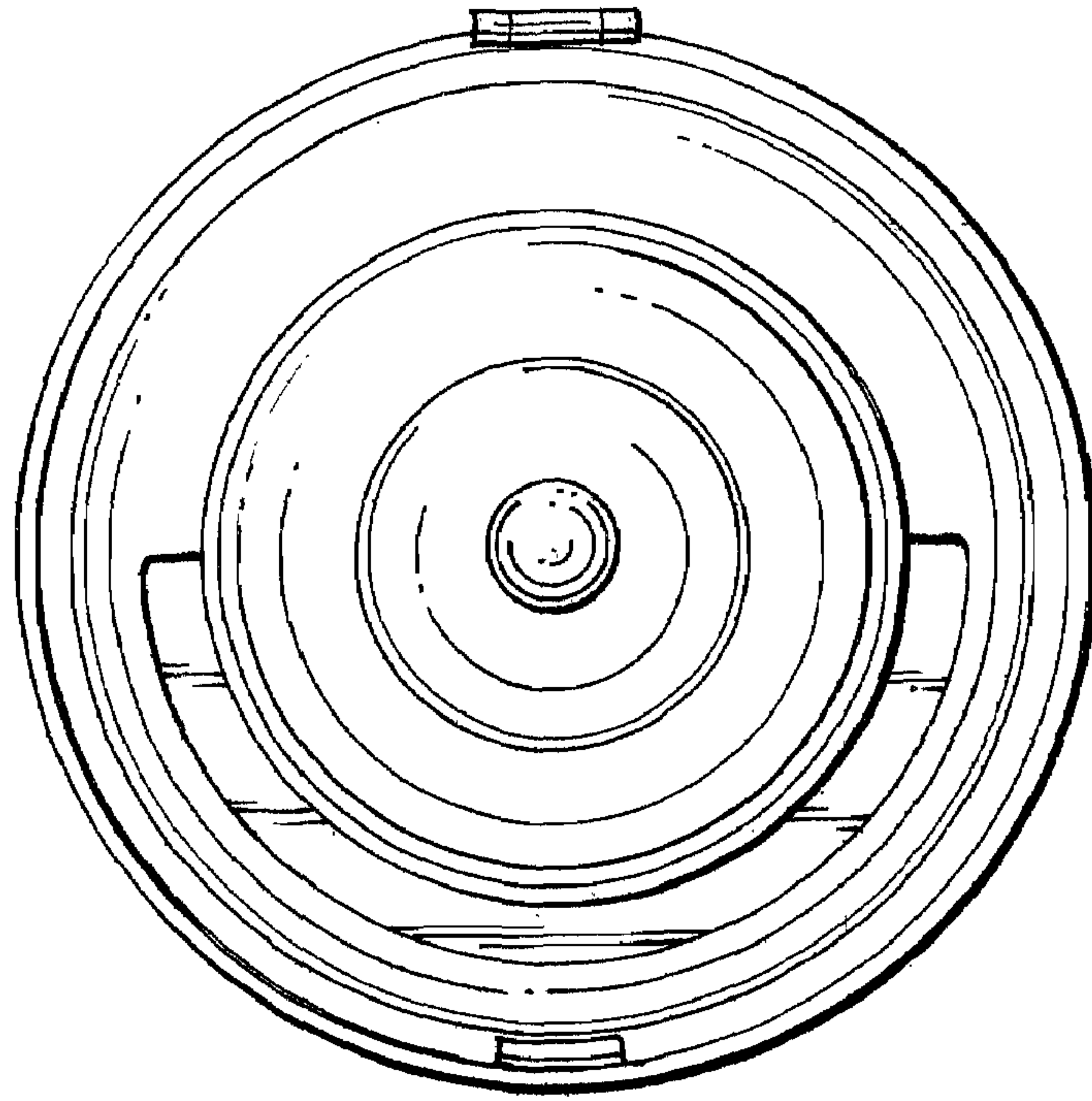


Fig. 5

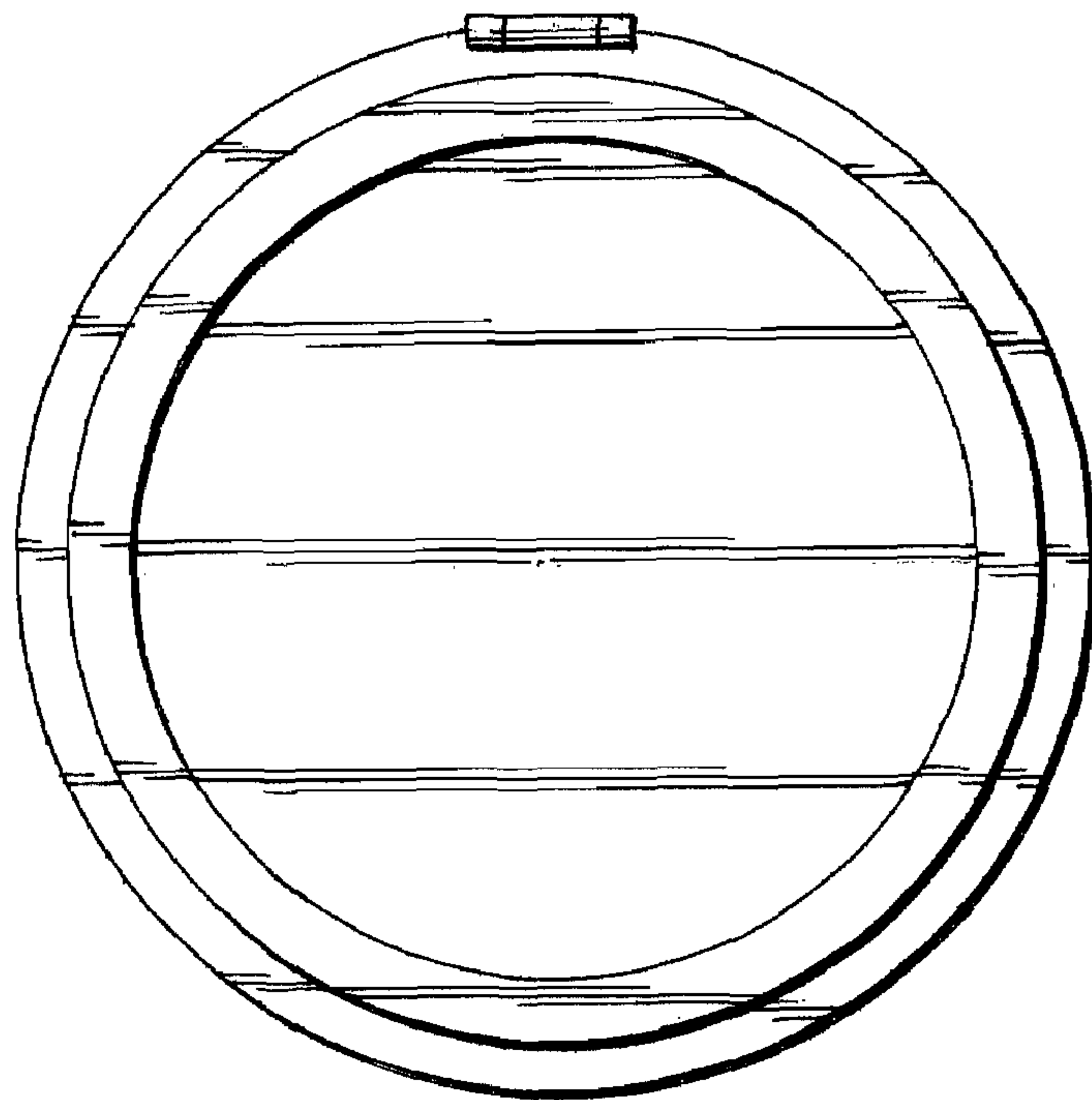


Fig. 6

UNITED STATES PATENT AND TRADEMARK OFFICE
CERTIFICATE OF CORRECTION

PATENT NO. : Des. 586,607 S
APPLICATION NO. : 29/321699
DATED : February 17, 2009
INVENTOR(S) : Deborah Callantine

Page 1 of 1

It is certified that error appears in the above-identified patent and that said Letters Patent is hereby corrected as shown below:

On the Title Page, Item (54)

The Title of the Patent is Incorrectly Listed as MIXER AND WARMER FOR INFANT FORMULA. The title should read INFANT BABY FORMULA MAKER AND BREWER.

Signed and Sealed this

Twentieth Day of October, 2009



David J. Kappos
Director of the United States Patent and Trademark Office