



US00D586605S

(12) **United States Design Patent**  
**Ma et al.**

(10) **Patent No.:** **US D586,605 S**  
(45) **Date of Patent:** **\*\* Feb. 17, 2009**

(54) **WATER PITCHER**

(75) Inventors: **Benjamin Ma**, San Ramon, CA (US);  
**Russell E. Bell**, Pleasanton, CA (US);  
**Ho Pun Chung**, Hong Kong (HK);  
**Frederick Ho**, Hong Kong (HK); **Anton**  
**Lee See**, Macgregor (AU); **Allister**  
**James Gough**, Brisbane (AU); **Reilly**  
**David Edwards**, Brisbane (AU); **Adam**  
**Doyle**, Grange (AU)

(73) Assignee: **The Clorox Company**, Oakland, CA  
(US)

(\*\*) Term: **14 Years**

(21) Appl. No.: **29/296,303**

(22) Filed: **Oct. 17, 2007**

(51) **LOC (9) Cl.** ..... **07-01**

(52) **U.S. Cl.** ..... **D7/317; D7/319**

(58) **Field of Classification Search** ..... D7/300-322,  
D7/516, 533, 536; D23/207, 209; 99/297,  
99/319; 210/282, 635; 222/164, 165, 465.1,  
222/466

See application file for complete search history.

(56) **References Cited**

**U.S. PATENT DOCUMENTS**

D323,874 S	2/1992	Hirman et al.
D331,446 S	12/1992	Gidman
5,190,643 A	3/1993	Duncan et al.
D336,760 S	6/1993	Raunkjaer
D345,669 S	4/1994	Piret
D356,004 S	3/1995	Valkenburg et al.
5,637,214 A	6/1997	Kahana
D383,351 S	9/1997	DeMore
5,665,224 A	9/1997	Levene et al.
D386,041 S	11/1997	Tanner et al.
D388,654 S	1/1998	Bouhuys
D388,655 S	1/1998	Flom et al.
D389,004 S	1/1998	Hampshire et al.
D389,006 S	1/1998	Demore et al.

D398,184 S	9/1998	Silverberg et al.
D400,392 S	11/1998	Robertson et al.
D406,003 S	2/1999	Tanner et al.
5,900,138 A	5/1999	Moretto
D415,922 S	11/1999	Kawasaki et al.
D416,163 S	11/1999	Doritty et al.
D418,714 S	1/2000	Fox et al.
D421,361 S	3/2000	Coulson et al.
6,103,114 A	8/2000	Tanner et al.
D437,175 S	2/2001	Brady
D439,790 S	4/2001	Matsushita et al.
D440,110 S	4/2001	Tanner et al.
6,224,751 B1	5/2001	Hofmann et al.
D444,662 S	7/2001	McGrath et al.
D444,843 S	7/2001	Hilgers et al.
D444,987 S	7/2001	McGrath et al.

(Continued)

**FOREIGN PATENT DOCUMENTS**

DE	40403886.7	9/2004
DE	40406643.7	2/2005
EP	1806322	7/2007

*Primary Examiner*—Ruth McInroy

(74) *Attorney, Agent, or Firm*—Thomas C. Feix

(57) **CLAIM**

The ornamental design for a water pitcher, as shown.

**DESCRIPTION**

FIG. 1 is a left rear perspective view of a water pitcher of the present invention;

FIG. 2 is left front perspective view thereof;

FIG. 3 is a right side view thereof;

FIG. 4 is a left side view thereof;

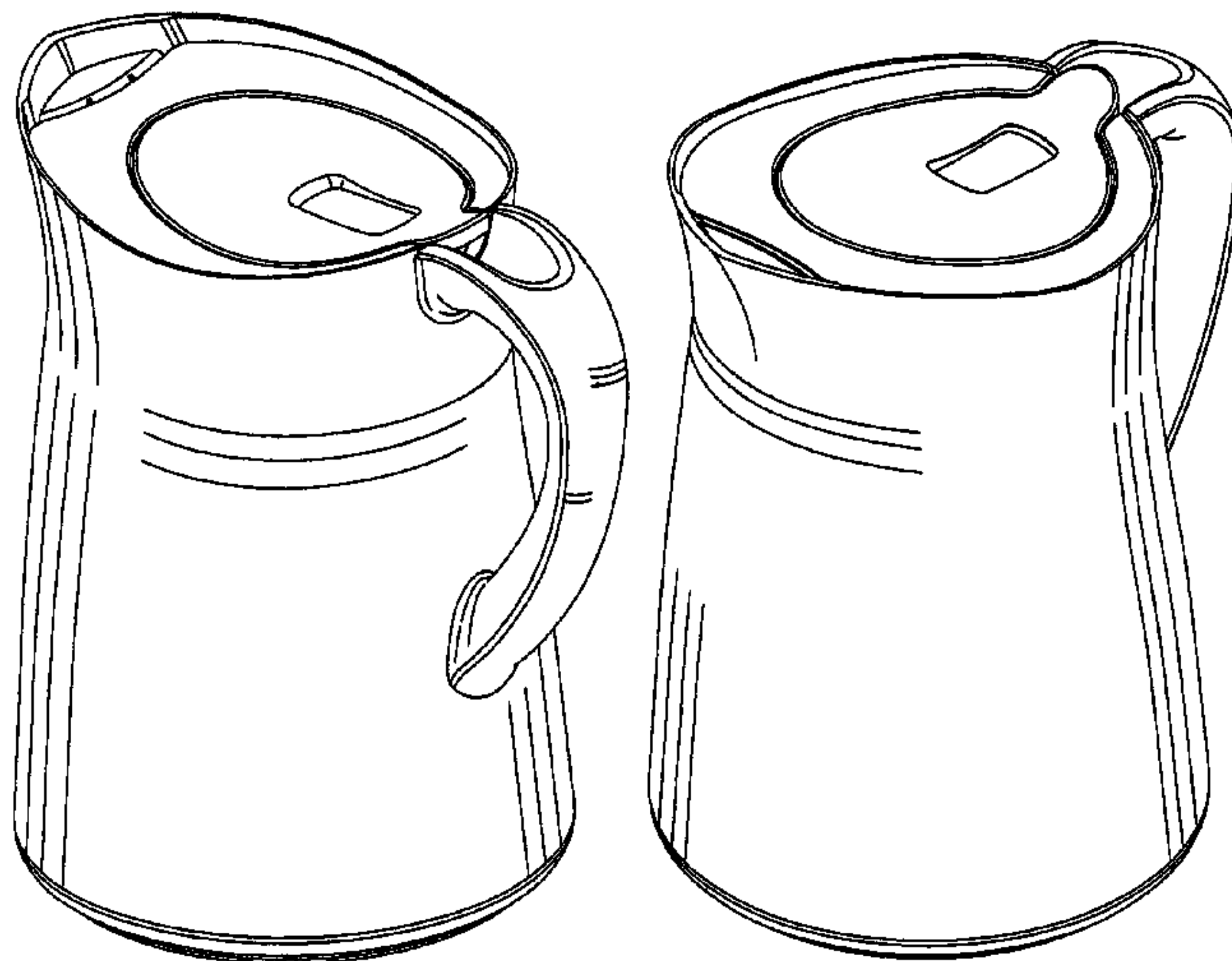
FIG. 5 is a front view thereof;

FIG. 6 is a rear view thereof;

FIG. 7 is bottom view thereof; and,

FIG. 8 is a top view thereof.

**1 Claim, 5 Drawing Sheets**



# US D586,605 S

Page 2

---

## U.S. PATENT DOCUMENTS

D445,293 S	7/2001	Lillelund et al.				
D459,941 S	7/2002	Miller				
D461,087 S *	8/2002	Hatsumoto .....	D7/317			
D463,706 S *	10/2002	Lecerf .....	D7/317			
D465,377 S	11/2002	Murison et al.				
D497,195 S	10/2004	Nishi et al.				
				D520,597 S	5/2006	Witte
				D524,087 S	7/2006	Ali
				D546,113 S	7/2007	Ruoff
				D554,425 S *	11/2007	Schwamkrug .....
				2007/0209981 A1	9/2007	Moretlo
				2007/0209984 A1	9/2007	Mordechai et al.

\* cited by examiner

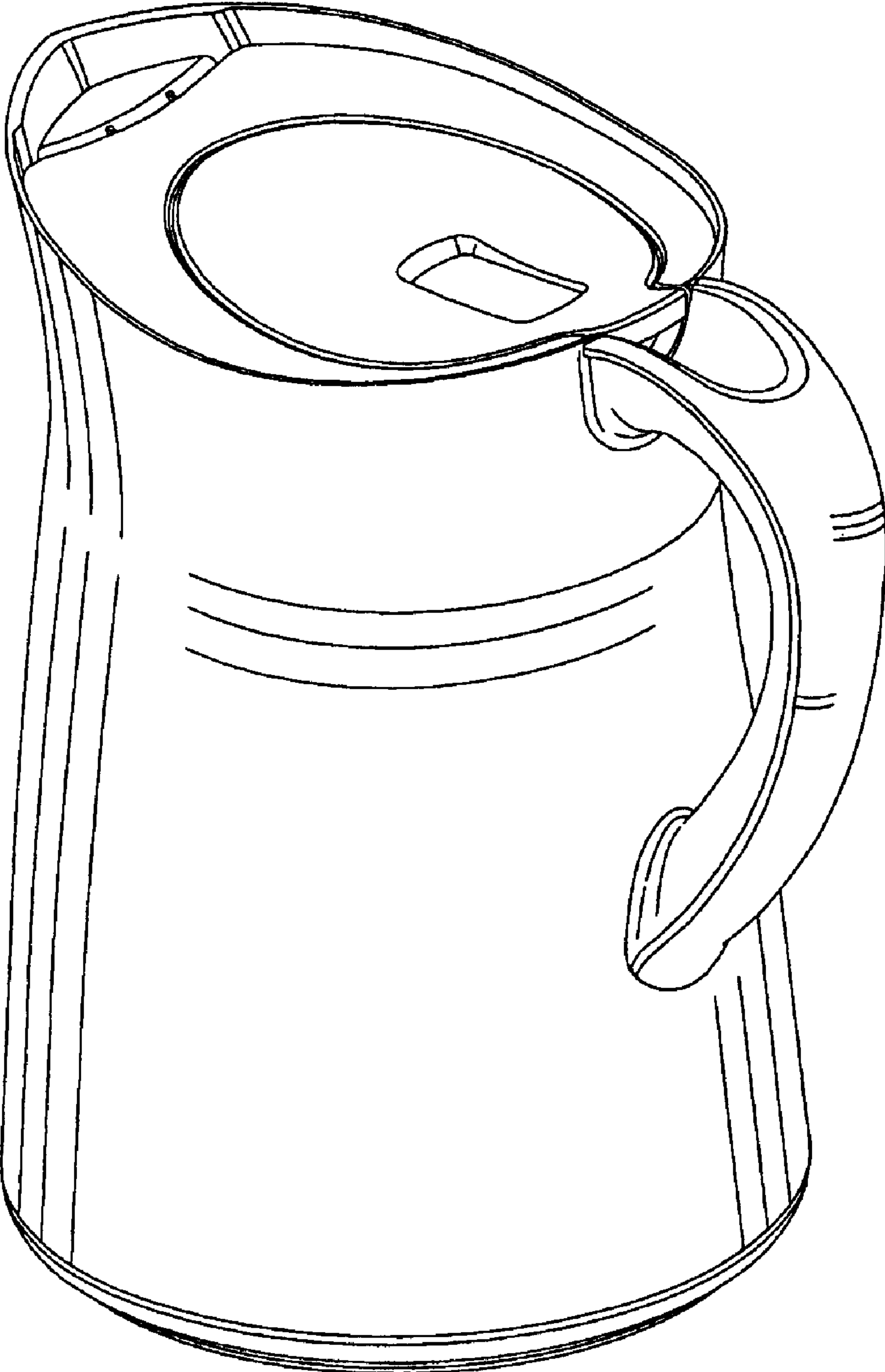


Fig. 1

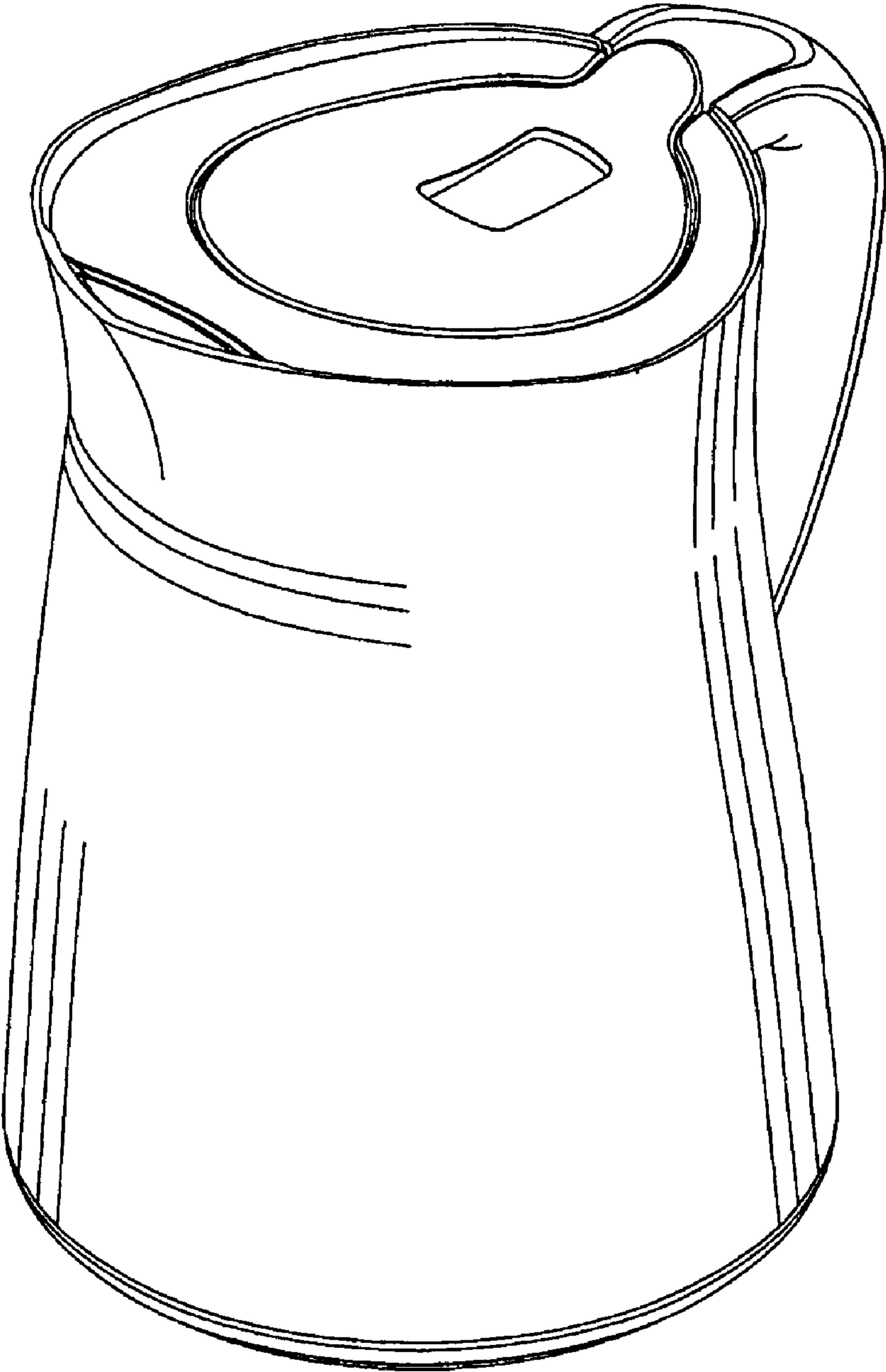


Fig.2

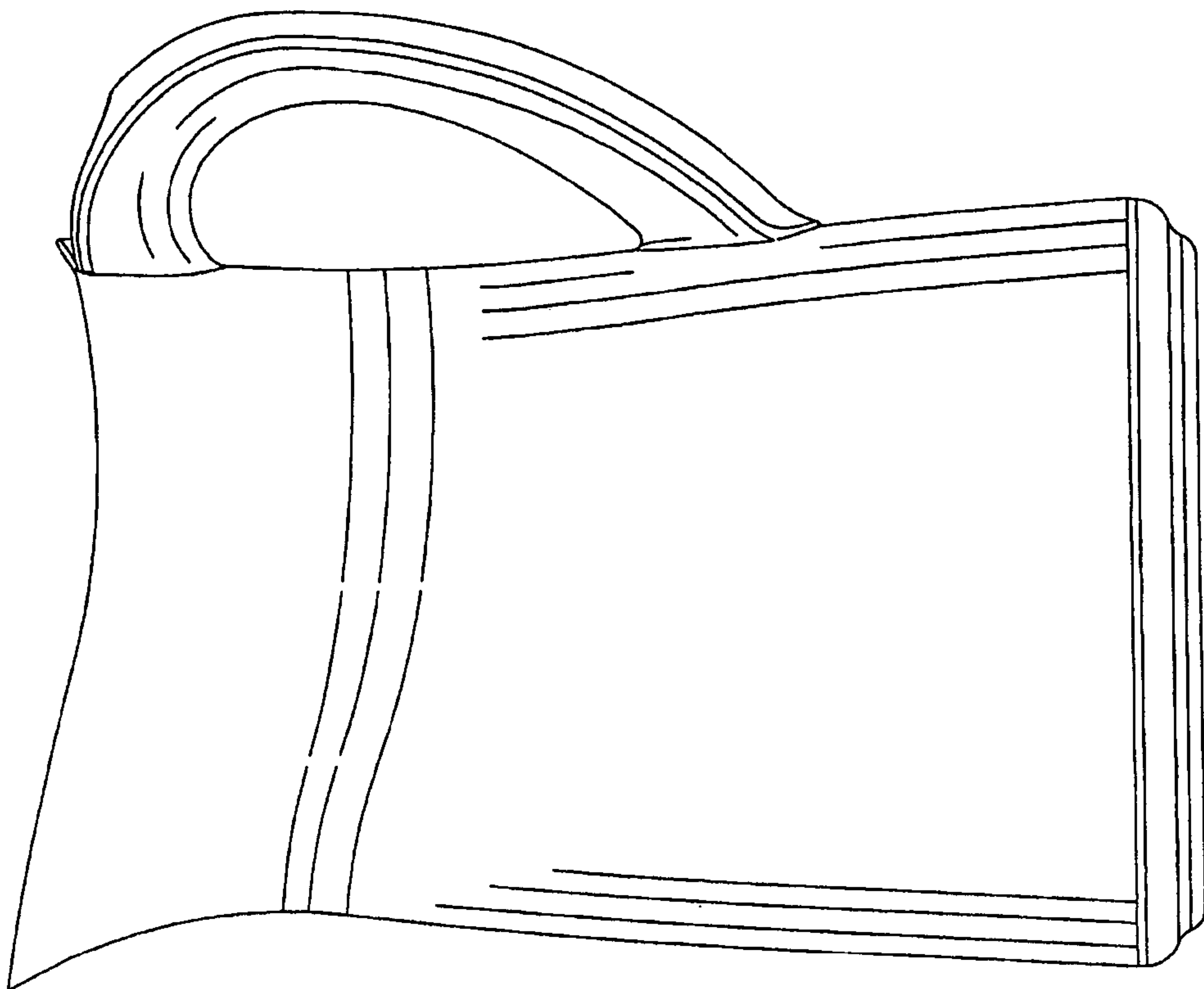


Fig. 4

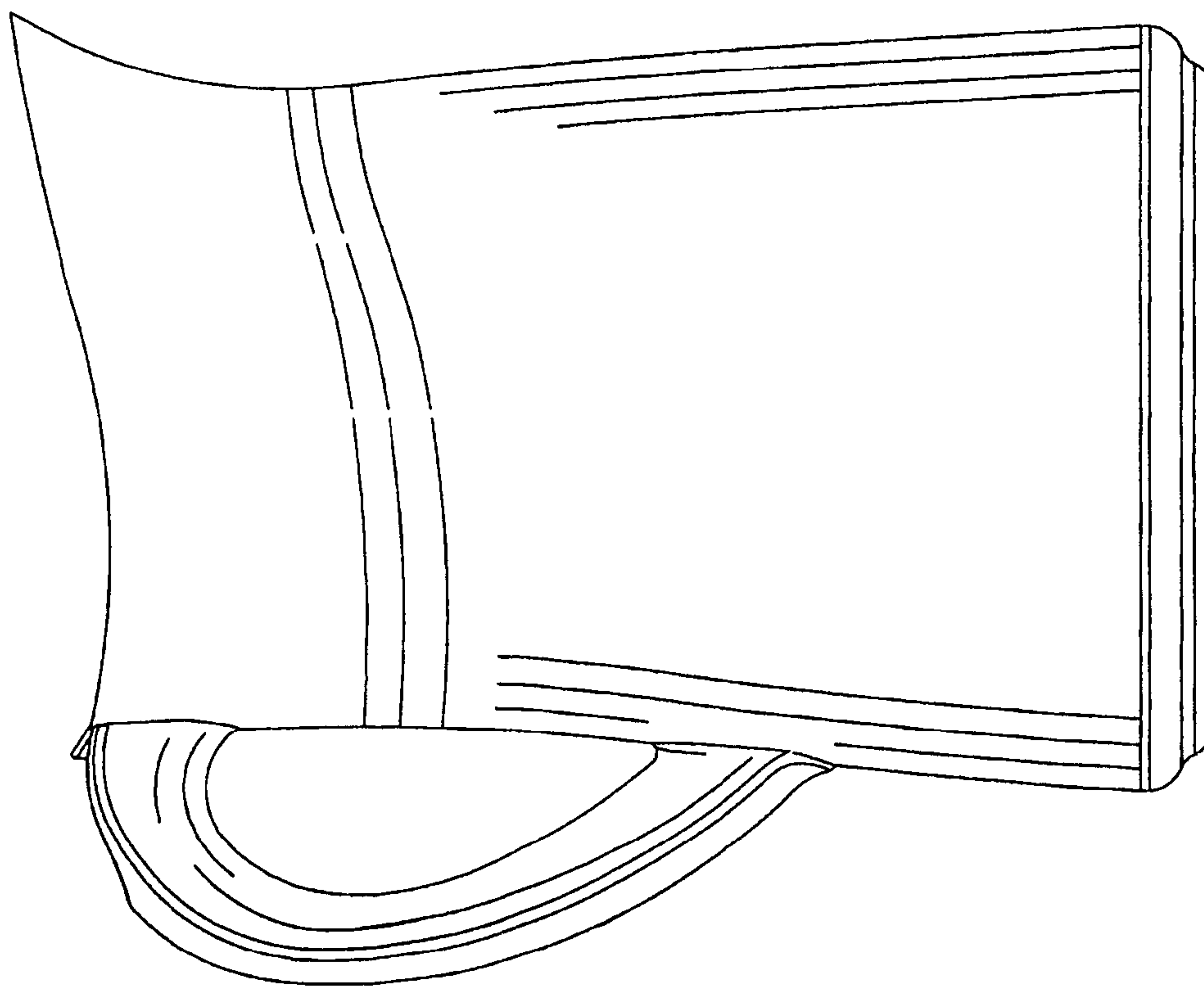


Fig. 3

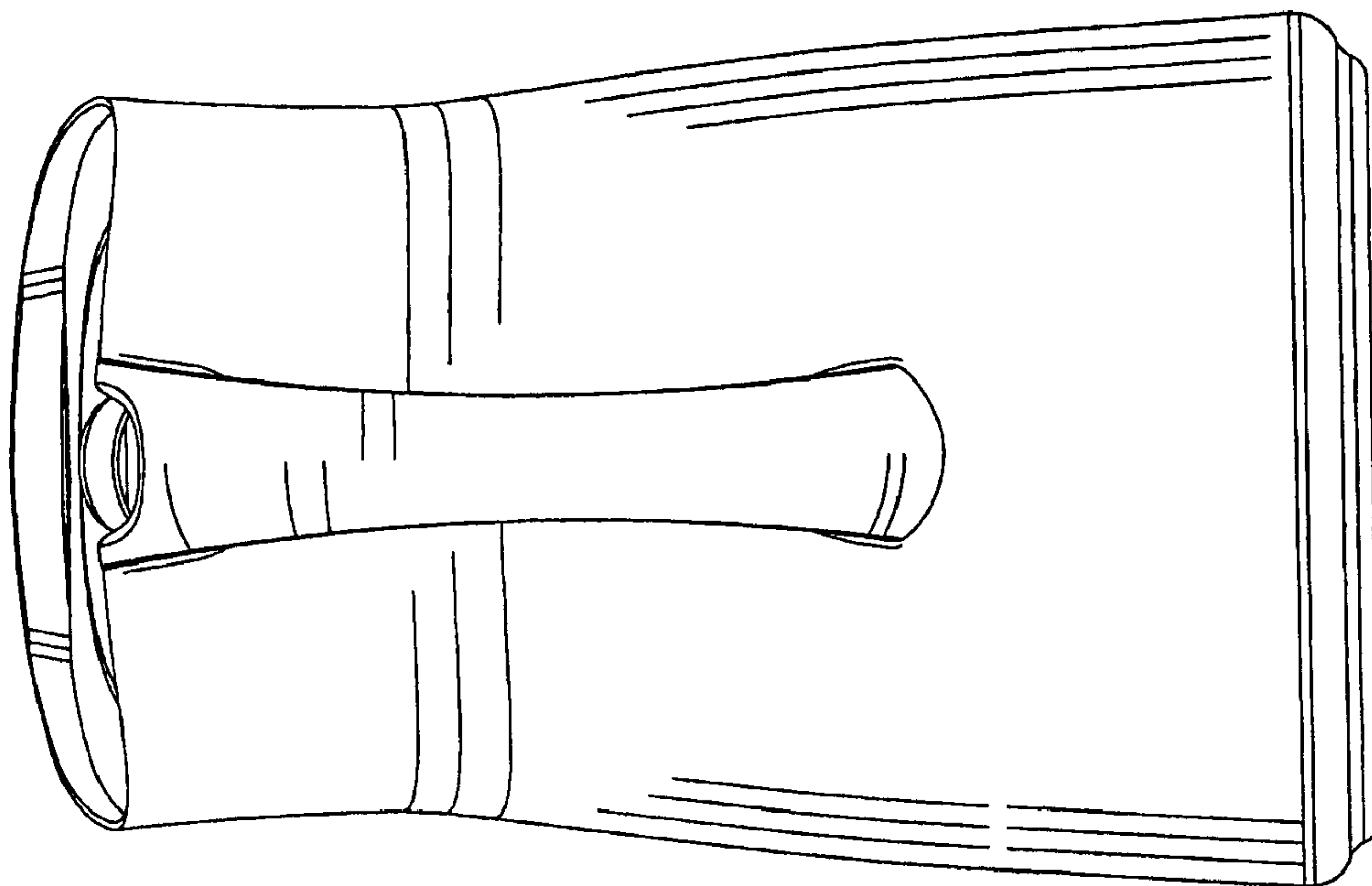


Fig. 6

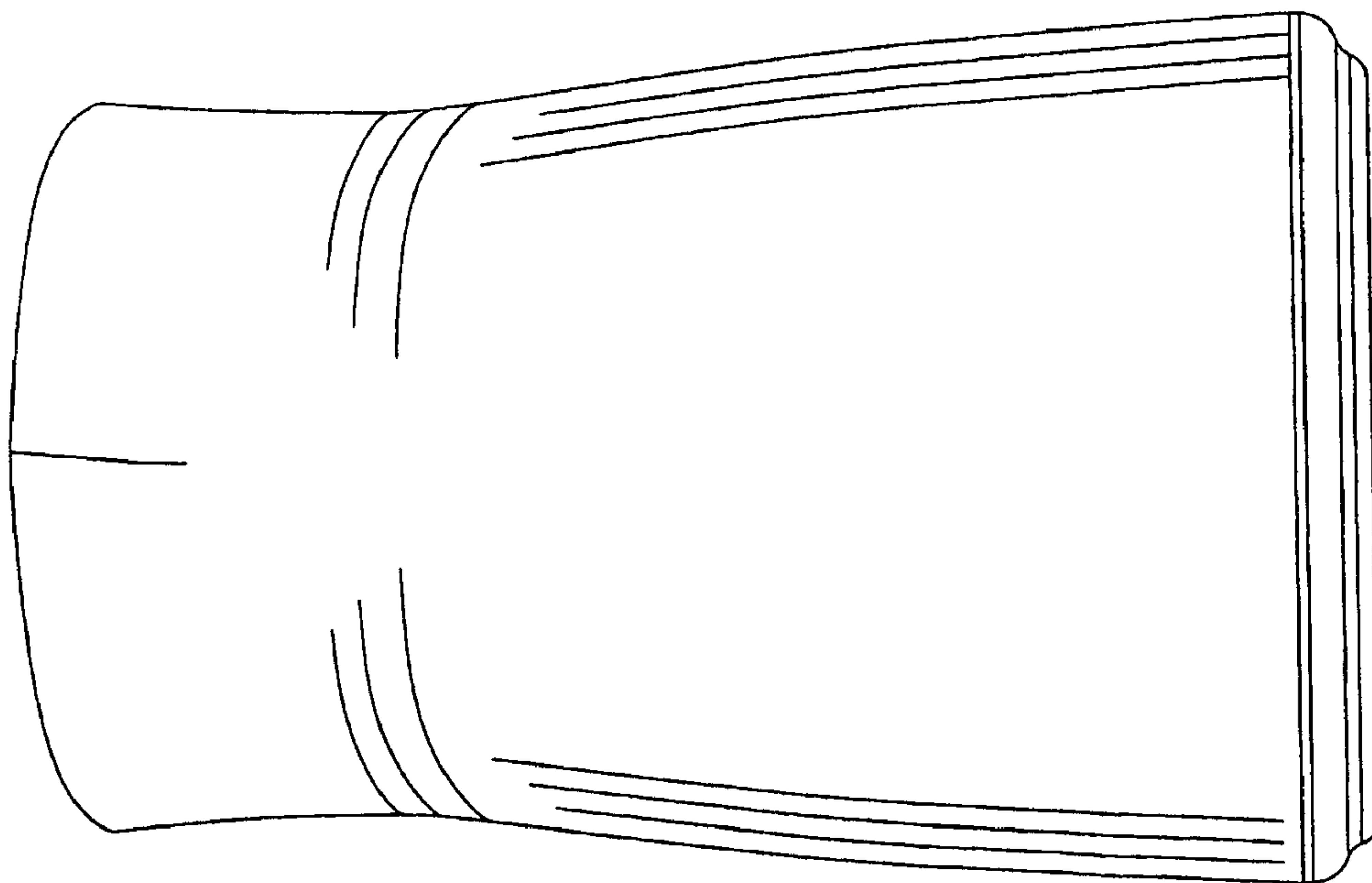


Fig. 5



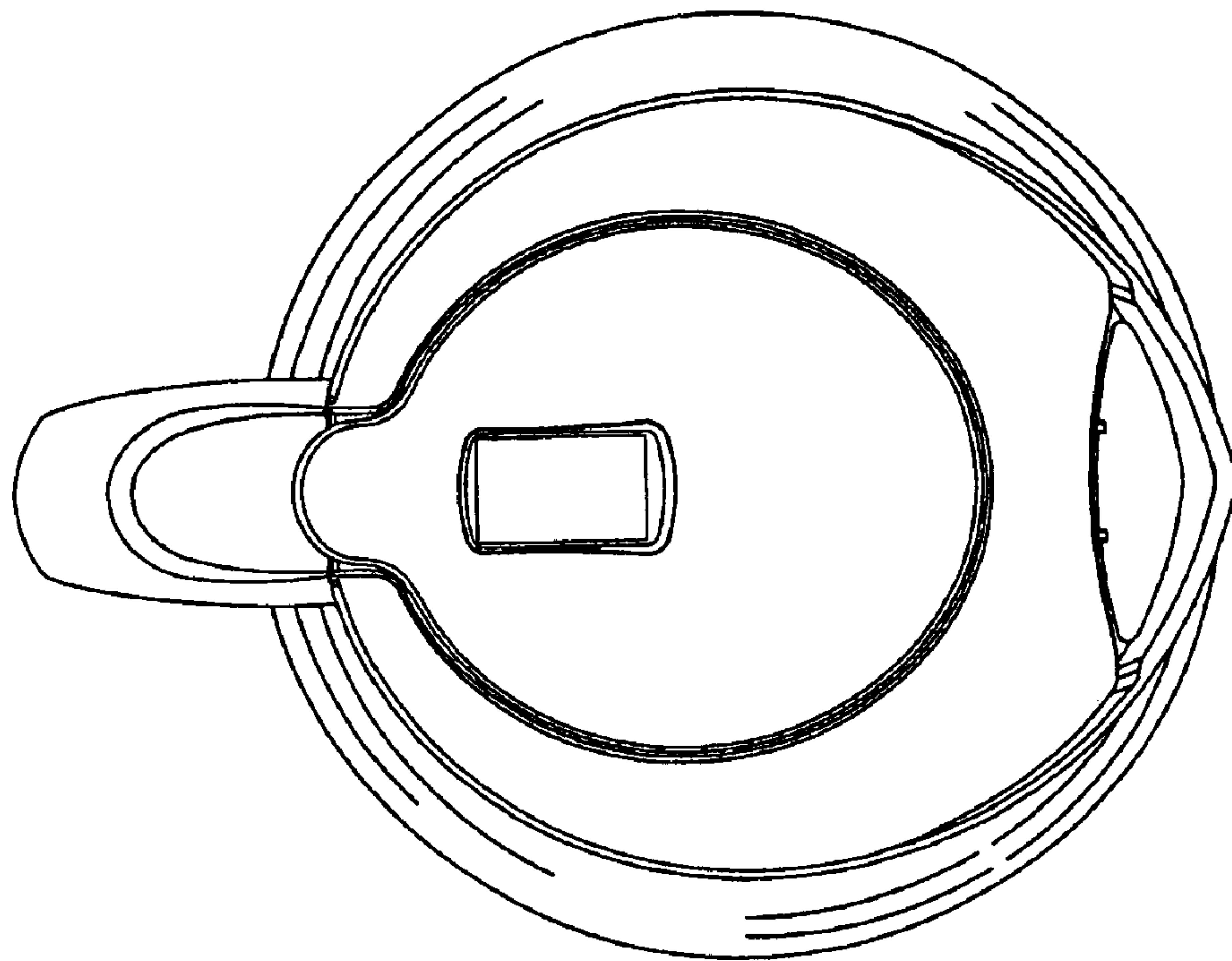


Fig. 8

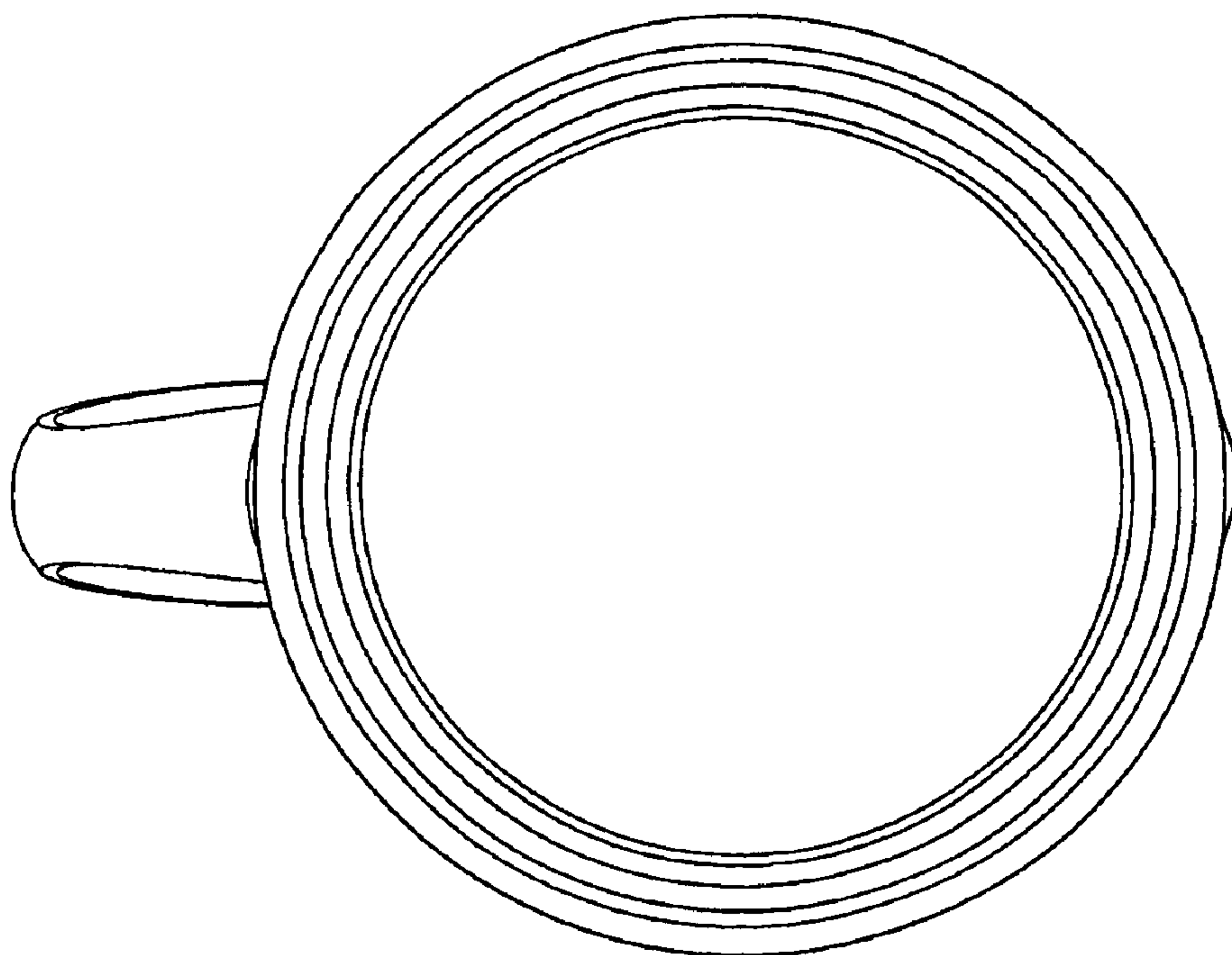


Fig. 7