



US00D586597S

(12) **United States Design Patent**
Hand

(10) **Patent No.:** **US D586,597 S**
(45) **Date of Patent:** **** Feb. 17, 2009**

(54) **TOOL CHEST AND CABINET**

(75) Inventor: **Jim Hand**, Glen Ellyn, IL (US)

(73) Assignee: **Waterloo Industries, Inc.**, Oak Creek, WI (US)

(**) Term: **14 Years**

(21) Appl. No.: **29/305,828**

(22) Filed: **Mar. 28, 2008**

(51) **LOC (9) Cl.** **06-06**

(52) **U.S. Cl.** **D6/510; D3/318; D3/905**

(58) **Field of Classification Search** **D3/260, D3/272-273, 276, 283, 297, 318, 312-322, D3/905; D6/396-397, 432, 437-441, 445, D6/491, 509-510; 312/308, 351, 902; 206/349, 206/372-373, 376-379**

See application file for complete search history.

(56) **References Cited**

U.S. PATENT DOCUMENTS

D205,522 S	8/1966	Doman
D218,080 S	7/1970	Sierzega
4,120,549 A	10/1978	Bureau
D327,967 S	7/1992	Hikawa
D341,253 S	11/1993	Ballman et al.
D341,737 S *	11/1993	Shepherd D6/509
5,332,305 A	7/1994	Slivon et al.
5,443,311 A	8/1995	Kadlecek et al.
D361,910 S	9/1995	Maple et al.
D370,342 S	6/1996	Gwyther
D370,572 S	6/1996	Lin
D372,378 S	8/1996	Kruger
5,607,214 A	3/1997	Pierce et al.
D381,166 S	7/1997	Bonazza
D385,722 S	11/1997	Yemini
D386,626 S	11/1997	Yemini
5,720,535 A	2/1998	Mehman
D393,541 S	4/1998	Calmeise
D394,562 S	5/1998	Di Blasi

5,857,757 A	1/1999	Bieker et al.
D412,626 S	8/1999	Johnson et al.
D420,541 S *	2/2000	Zaidman D6/510
D423,818 S	5/2000	Holcomb et al.
D427,807 S	7/2000	Holcomb et al.
6,109,709 A	8/2000	Holcomb et al.
D430,426 S	9/2000	Bieker et al.
6,176,559 B1	1/2001	Tiramani et al.
D448,168 S	9/2001	Johnston
D449,181 S	10/2001	Story et al.

(Continued)

Primary Examiner—Philip S Hyder

Assistant Examiner—Roselyne Cody

(74) *Attorney, Agent, or Firm*—Calfee, Halter & Griswold LLP

(57) **CLAIM**

I claim the ornamental design for a tool chest and cabinet, as shown and described.

DESCRIPTION

FIG. 1 is a perspective view of a tool chest and cabinet of the new design;

FIG. 2 is a front elevation view of the tool chest and cabinet of FIG. 1;

FIG. 3 is a rear view of the tool chest and cabinet of FIG. 1;

FIG. 4 is a left side view of the tool chest and cabinet of FIG. 1;

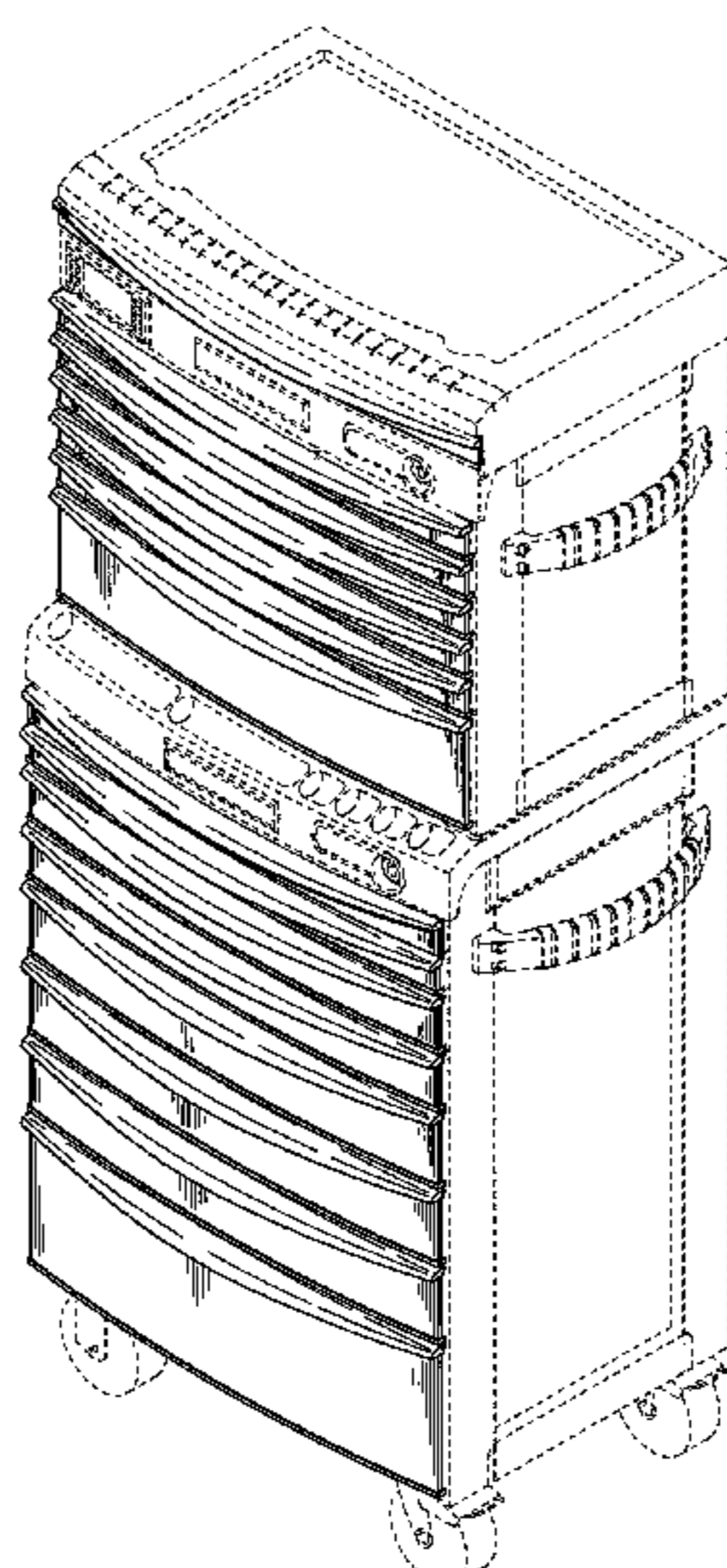
FIG. 5 is a right side view of the tool chest and cabinet of FIG. 1;

FIG. 6 is a top view of the tool chest and cabinet of FIG. 1; and,

FIG. 7 is a bottom view of the tool chest and cabinet of FIG. 1.

The phantom lines in the drawings are illustrative of environment and form no part of the claimed design.

1 Claim, 6 Drawing Sheets



US D586,597 S

Page 2

U.S. PATENT DOCUMENTS

D453,074 S	1/2002	Johnston	D554,370 S	11/2007	Hand	
6,347,847 B1	2/2002	Tiramani et al.	D554,864 S	11/2007	Hand	
D455,902 S	4/2002	Wolf	D560,079 S	1/2008	Mehmen	
D457,704 S	5/2002	Fiscus et al.	D563,103 S	3/2008	Hand	
D470,687 S	2/2003	Binse et al.	D563,119 S *	3/2008	Malley et al.	D6/445
D505,237 S	5/2005	Schmidt et al.	D563,120 S *	3/2008	Malley et al.	D6/445
D506,090 S	6/2005	Ben-Or	D566,396 S *	4/2008	Hand	D3/297
D514,854 S	2/2006	Schmidt et al.	D568,078 S *	5/2008	Kohagen et al.	D6/510
D517,805 S	3/2006	Hosking	D568,608 S *	5/2008	Hand	D3/297
D520,264 S	5/2006	Mehmen et al.	D573,792 S *	7/2008	Hand	D3/297
D520,784 S	5/2006	Schmidt et al.	2002/0030425 A1	3/2002	Tiramani et al.	
D526,782 S	8/2006	Hosking	2002/0074905 A1	6/2002	Tiramani et al.	
D547,160 S	7/2007	Hand	2007/0295627 A1 *	12/2007	Hsieh	206/372

* cited by examiner

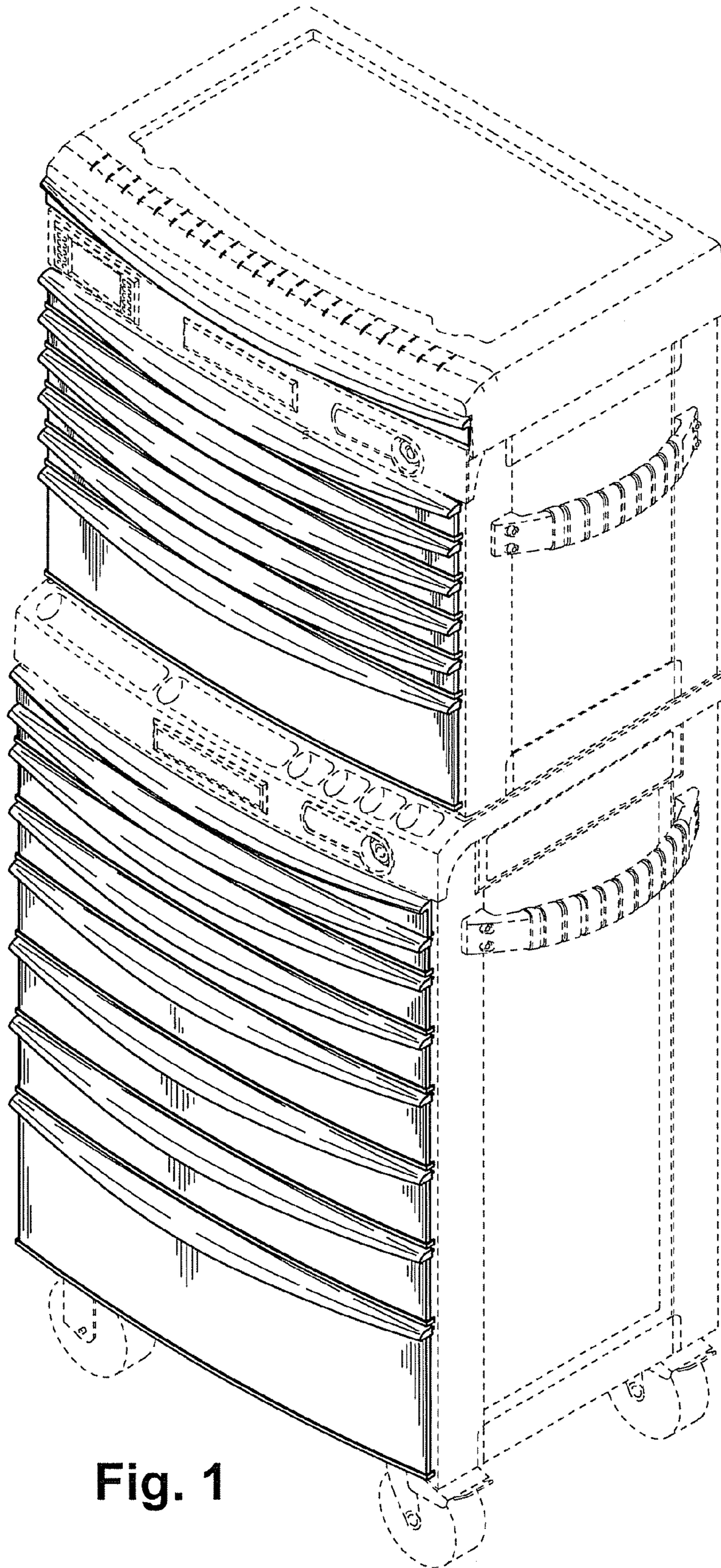


Fig. 1

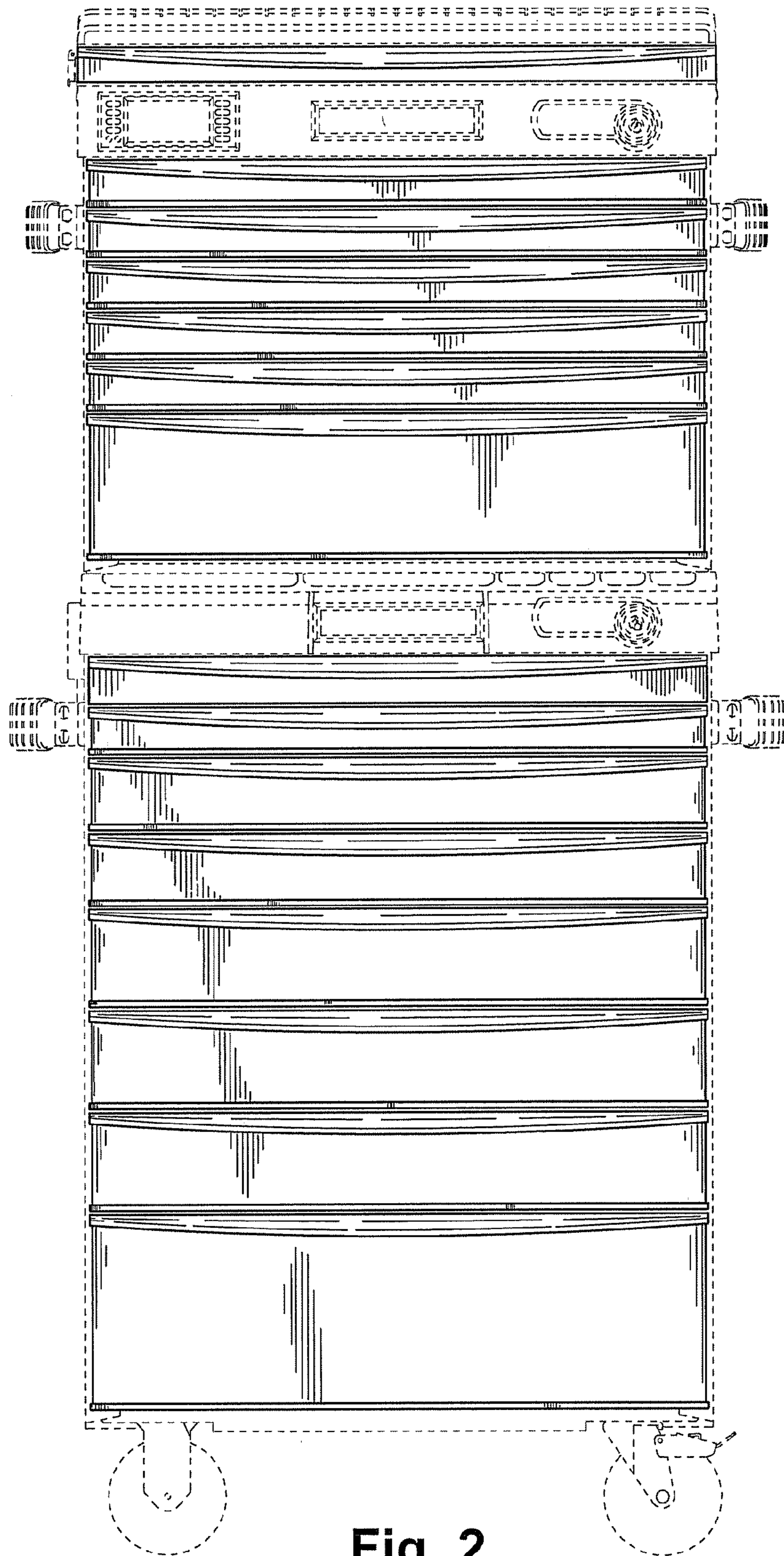


Fig. 2

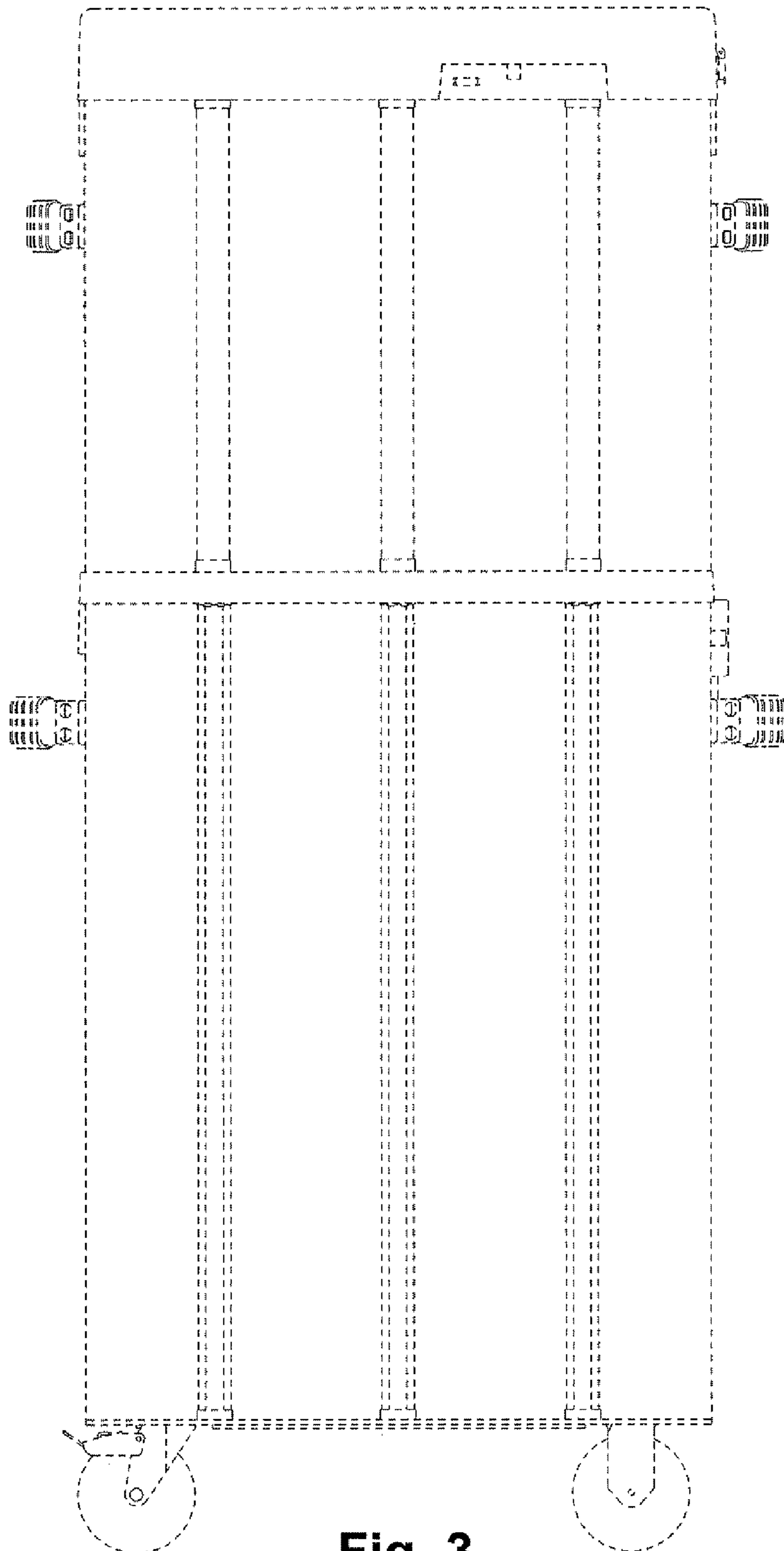


Fig. 3

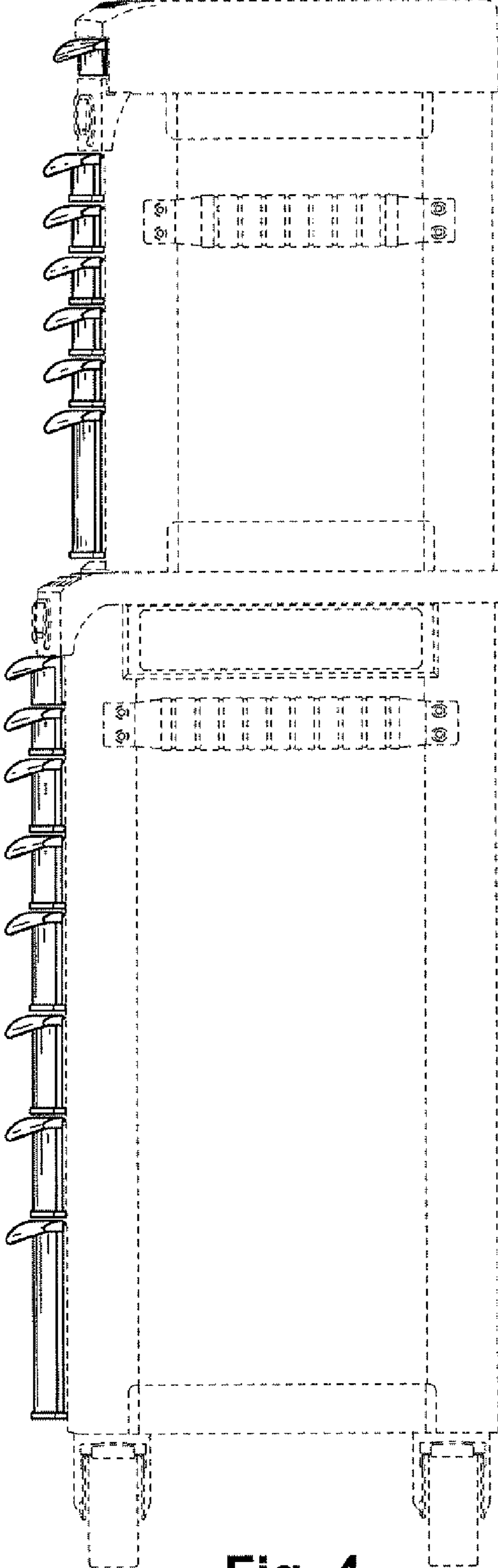


Fig. 4

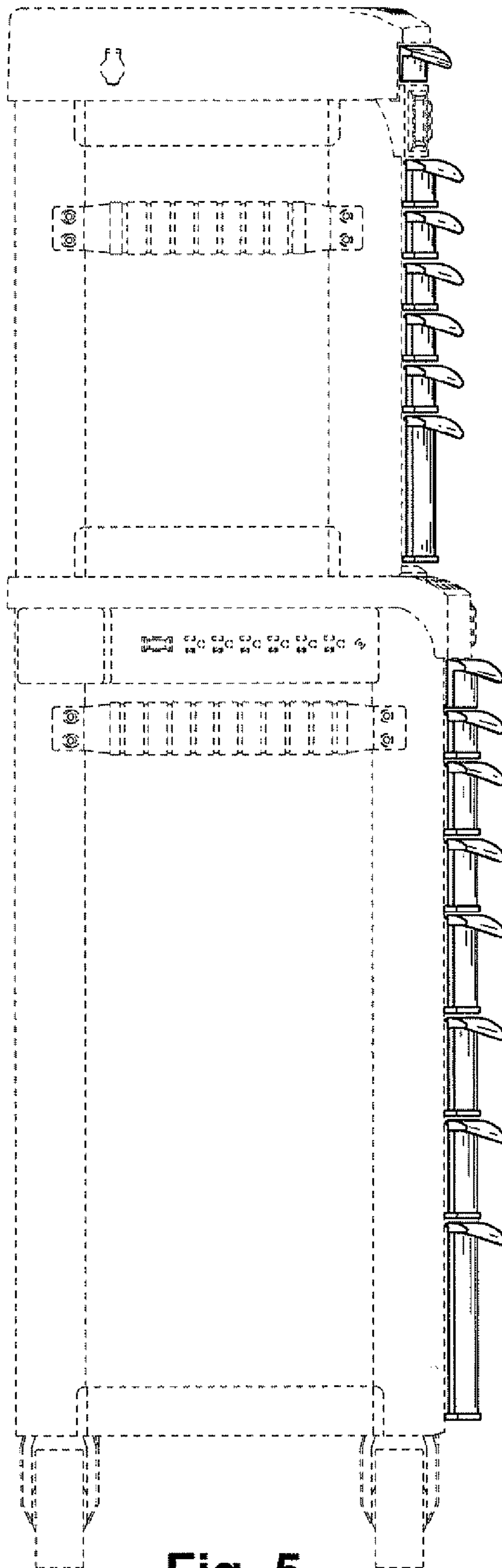


Fig. 5

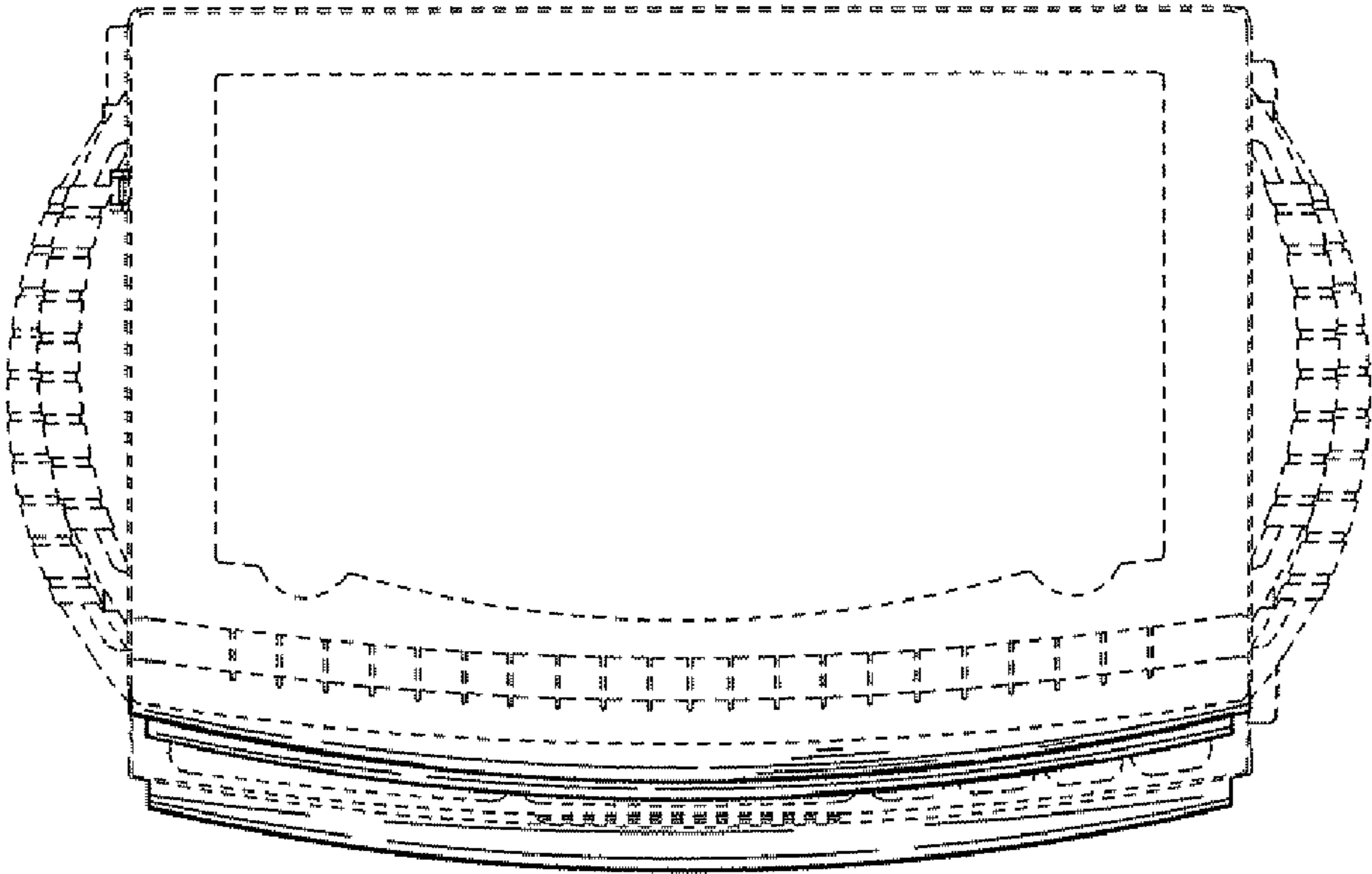


Fig. 6

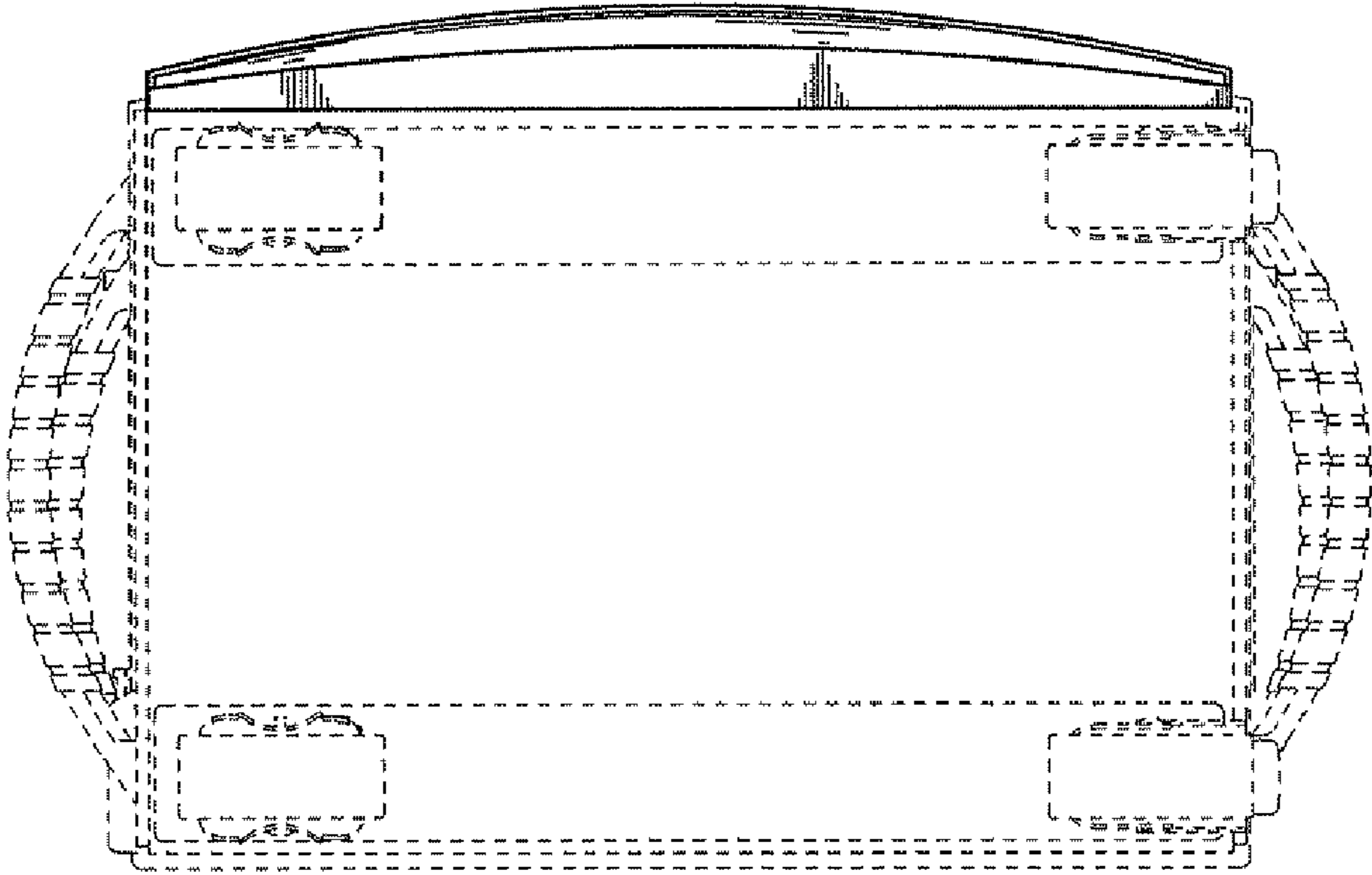


Fig. 7