



US00D586596S

(12) **United States Design Patent**  
**Nielsen**

(10) **Patent No.:** **US D586,596 S**

(45) **Date of Patent:** **\*\* Feb. 17, 2009**

(54) **UNIVERSAL MULTIMEDIA TRAY**

D538,537 S \* 3/2007 Osborn ..... D3/313  
D554,900 S \* 11/2007 Hussaini et al. .... D6/467

(75) Inventor: **Britta Claire Nielsen**, Bellevue, WA  
(US)

\* cited by examiner

(73) Assignee: **Slam Brands, Inc.**, Redmond, WA (US)

*Primary Examiner*—Elizabeth A Albert  
*Assistant Examiner*—Kelley A Donnelly

(\*\*) Term: **14 Years**

(74) *Attorney, Agent, or Firm*—Amin, Turocy & Calvin, LLP;  
Thomas E. Watson

(21) Appl. No.: **29/303,651**

(57) **CLAIM**

(22) Filed: **Feb. 14, 2008**

An ornamental design for a universal multimedia tray, as shown and described.

(51) **LOC (9) Cl.** ..... **06-04**

(52) **U.S. Cl.** ..... **D6/510**

(58) **Field of Classification Search** ..... D6/510;  
206/373, 562, 563, 214, 371; D19/65, 75,  
D19/77-78, 81, 83, 86, 91-92, 95, 99, 100;  
211/69.1, 69.9, 10-11, 13.1, 45, 50  
See application file for complete search history.

**DESCRIPTION**

FIG. 1 is a perspective view of a universal multimedia tray;  
FIG. 2 is a top plan view thereof;  
FIG. 3 is a bottom plan view thereof;  
FIG. 4 is a front view thereof;  
FIG. 5 is a rear view thereof;  
FIG. 6 is a right side view thereof; and,  
FIG. 7 is a left side view thereof.

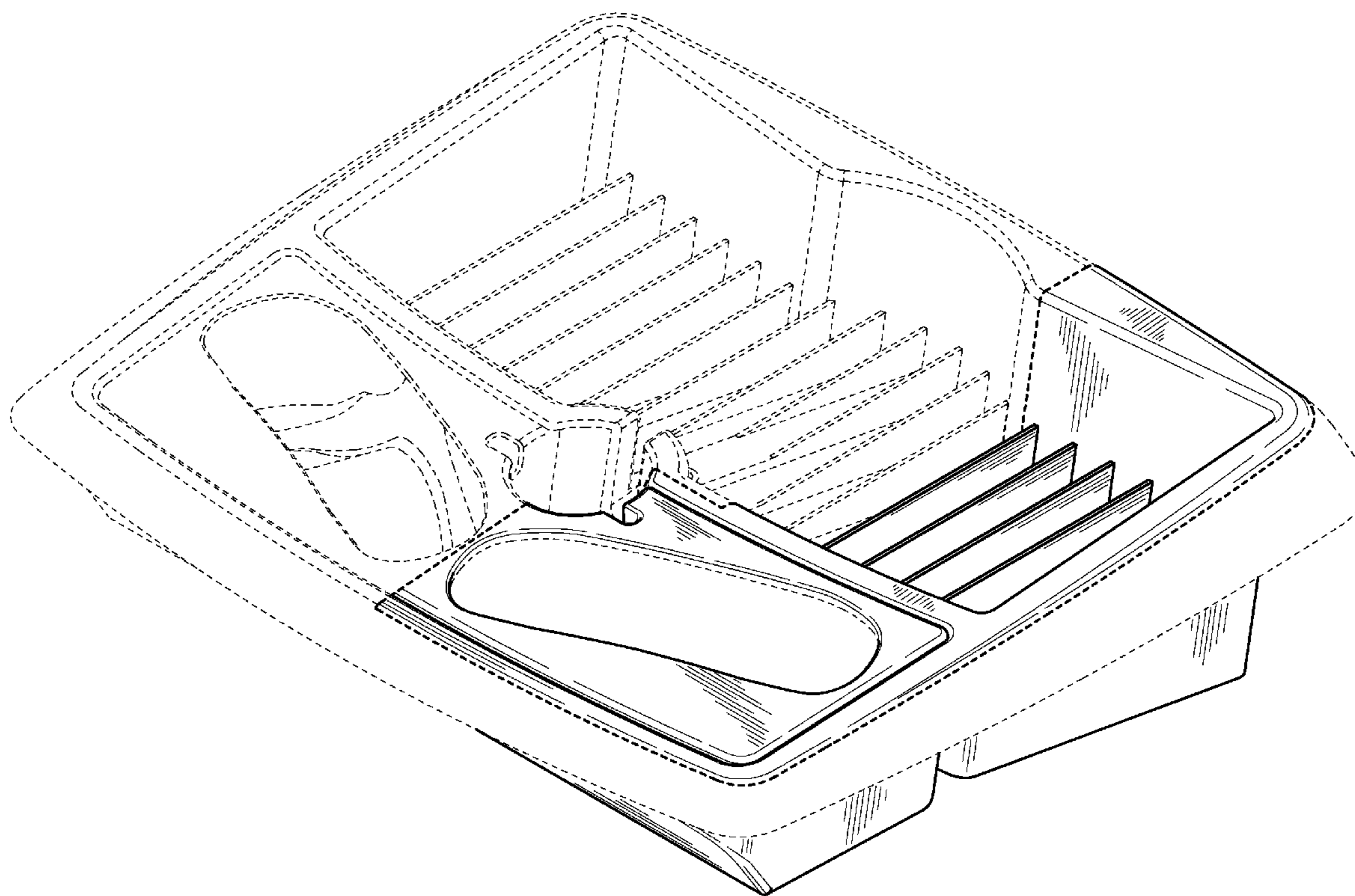
(56) **References Cited**

**U.S. PATENT DOCUMENTS**

D328,099 S \* 7/1992 Williams ..... D19/75  
D330,219 S \* 10/1992 Carlson et al. .... D19/77  
D354,310 S \* 1/1995 Crist et al. .... D19/75  
D414,808 S \* 10/1999 Hunt ..... D19/75  
D503,574 S \* 4/2005 Yao ..... D6/510

The dashed lines in the drawings are shown for environmental purposes and form no part of the claimed design.

**1 Claim, 5 Drawing Sheets**



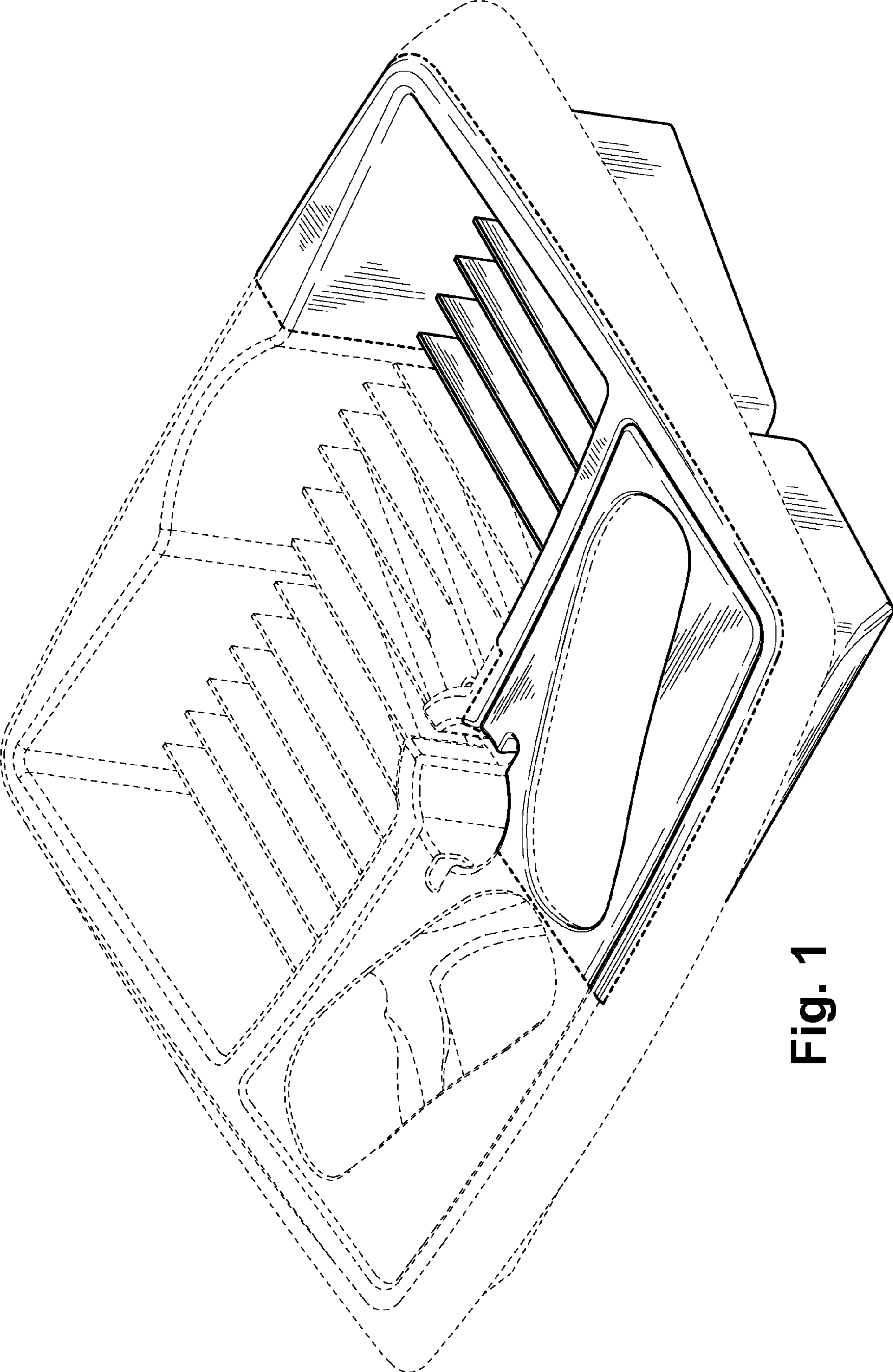


Fig. 1

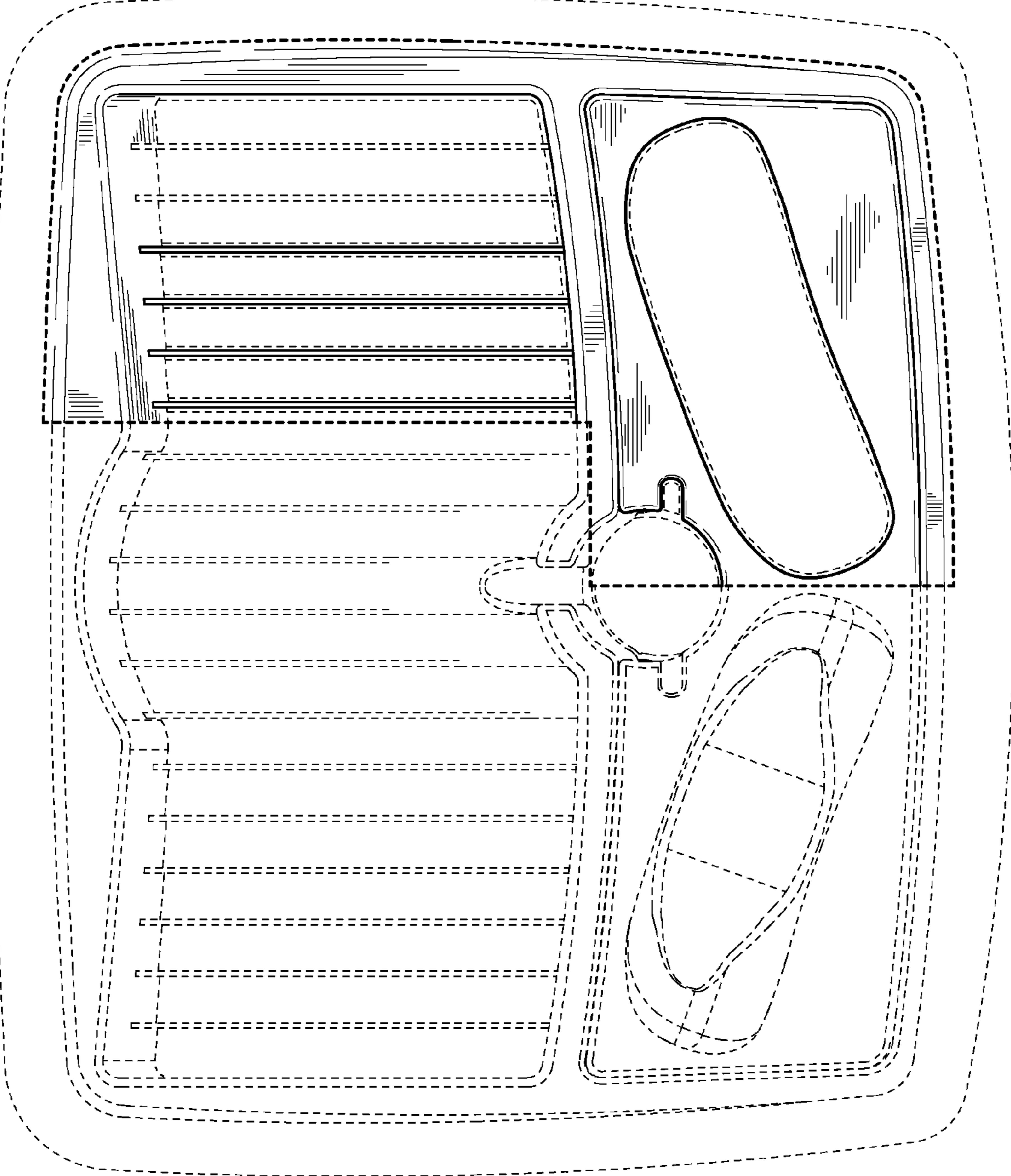


Fig. 2

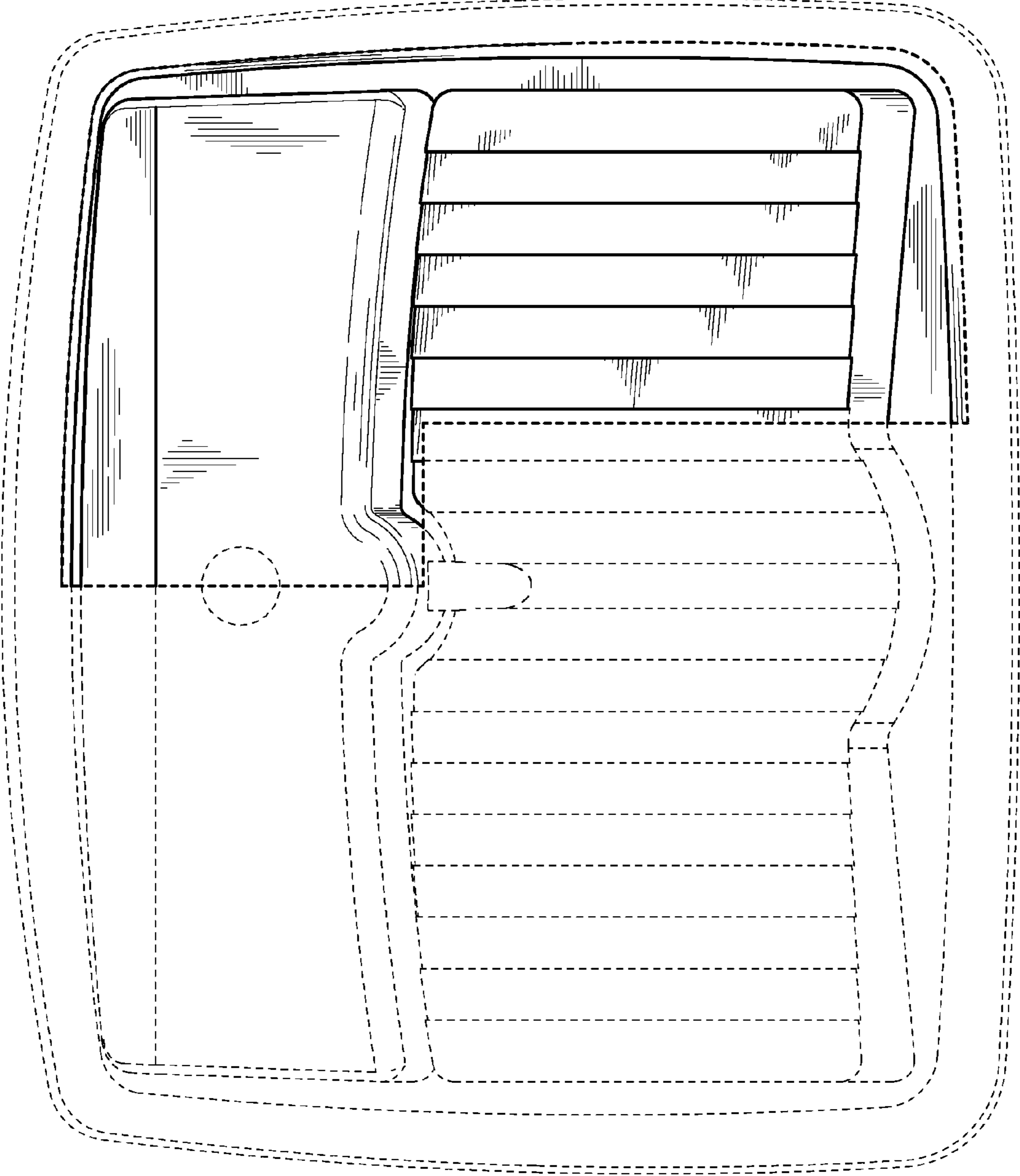


Fig. 3

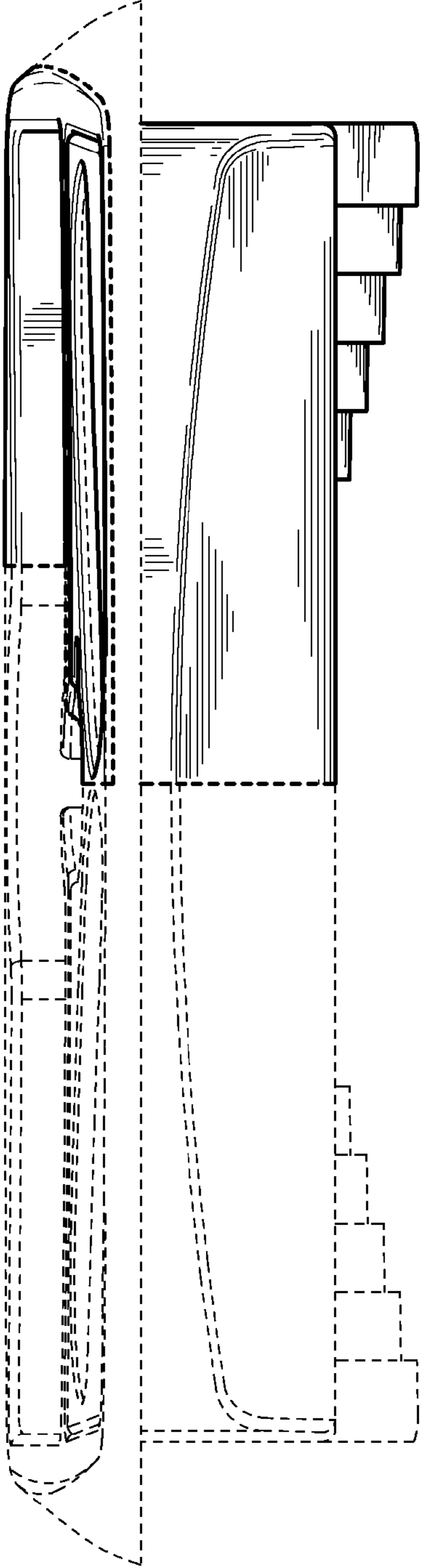


Fig. 4

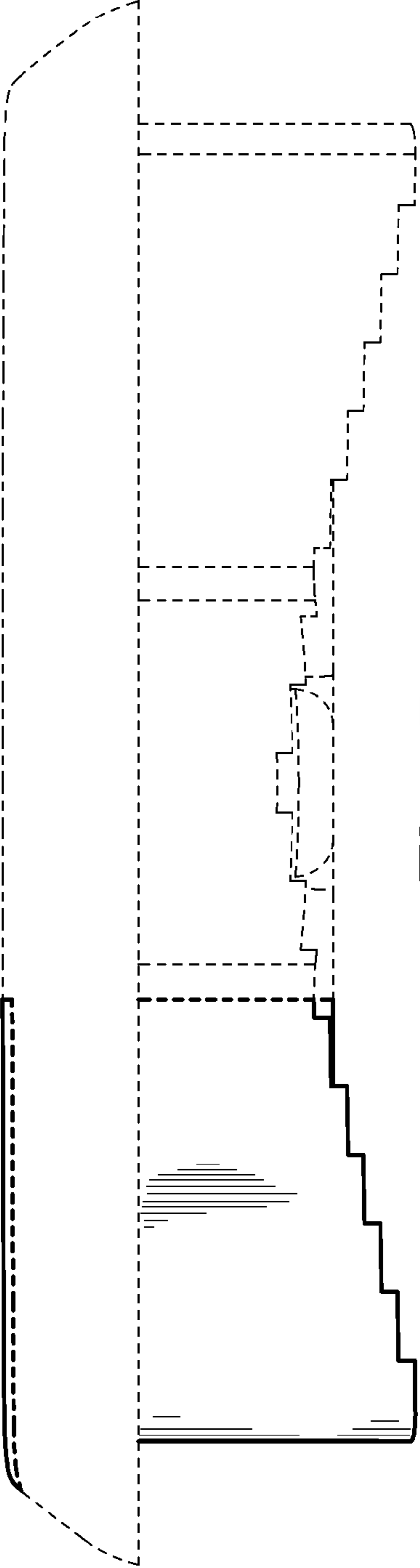
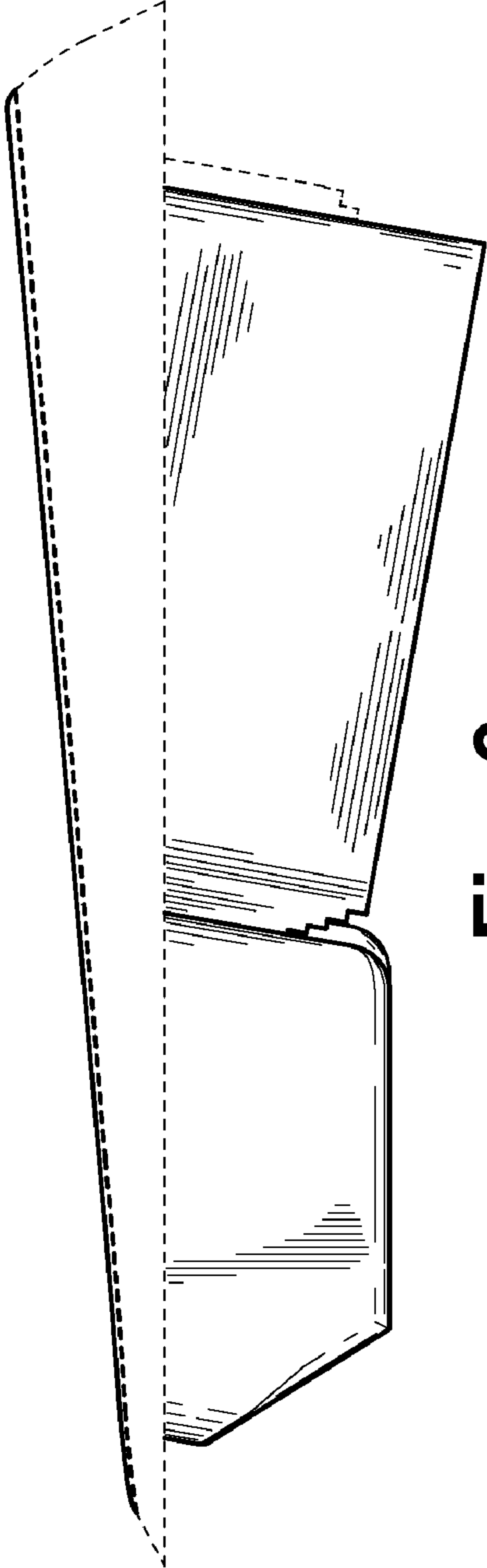
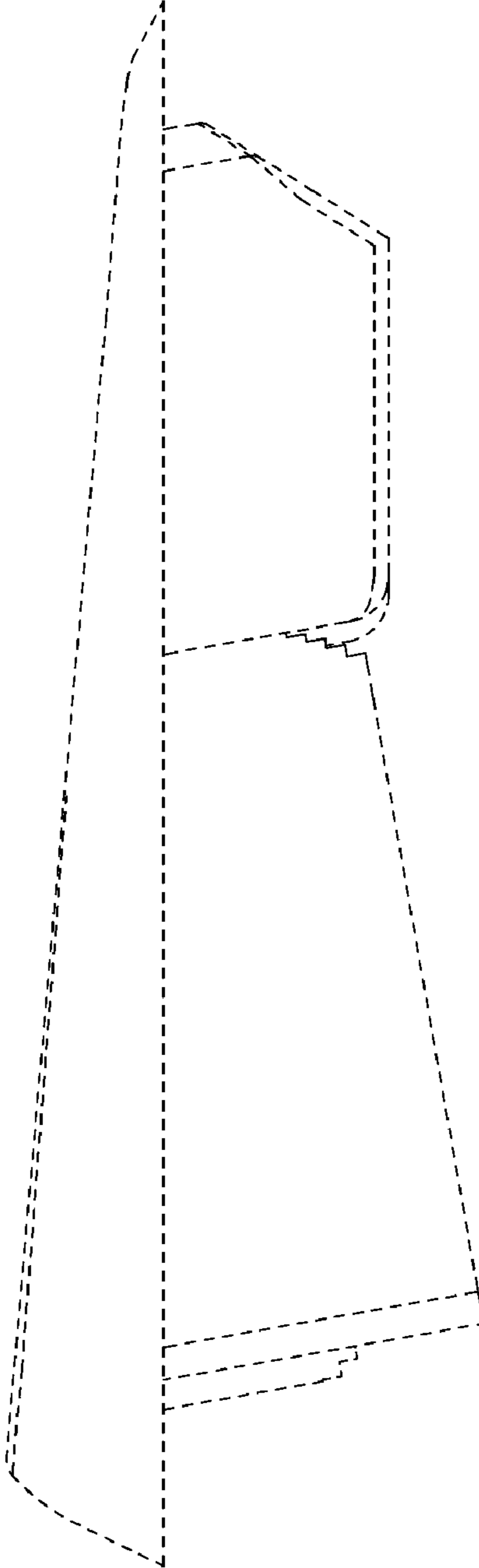


Fig. 5



**Fig. 6**



**Fig. 7**