



US00D586594S

(12) **United States Design Patent**
Rittfeldt et al.

(10) **Patent No.:** **US D586,594 S**
(45) **Date of Patent:** **** Feb. 17, 2009**

(54) **CHAIR BACK**

(75) Inventors: **Marten Rittfeldt**, Skanör (SE); **Oskar Ponnert**, Malmö (SE)

(73) Assignee: **Ergonomiprodukter I Bodafors AB**, Nassjo (SE)

(**) Term: **14 Years**

(21) Appl. No.: **29/317,943**

(22) Filed: **May 9, 2008**

Related U.S. Application Data

(62) Division of application No. 29/263,331, filed on Jul. 21, 2006, now Pat. No. Des. 572,509.

(30) **Foreign Application Priority Data**

Jan. 25, 2006 (EM) 000468046

(51) **LOC (9) Cl.** **06-01**

(52) **U.S. Cl.** **D6/502**

(58) **Field of Classification Search** D6/500-502,
D6/334-336, 364-367, 379, 358, 370, 356;
297/411.2, 411.27, 411.36, 452.29, 284.4,
297/452.3, 239

See application file for complete search history.

(56) **References Cited**

U.S. PATENT DOCUMENTS

D336,805 S	*	6/1993	Starke	D6/502
D345,477 S	*	3/1994	Infanti	D6/502
D401,453 S	*	11/1998	Holt	D6/502
D404,209 S		1/1999	Hunsaker et al.		
D407,576 S	*	4/1999	Ritch et al.	D6/500
D413,216 S	*	8/1999	Regan et al.	D6/502
D437,497 S	*	2/2001	Brauning	D6/366
D462,858 S	*	9/2002	Koepke et al.	D6/502
D471,730 S	*	3/2003	Schloss	D6/375
D506,893 S		7/2005	Hsien		

D517,357 S	*	3/2006	Gasser	D6/502
D520,782 S	*	5/2006	Glass et al.	D6/502
D534,384 S		1/2007	Su		
D542,547 S		5/2007	Su		
D542,580 S		5/2007	Loew et al.		
D543,396 S		5/2007	Loew et al.		
D543,397 S		5/2007	Loew et al.		
D543,717 S		6/2007	Chen		
D545,582 S		7/2007	Wu		
D546,573 S		7/2007	Klaasen et al.		
D548,994 S		8/2007	Mao		
D549,976 S		9/2007	Lin		
D550,976 S		9/2007	Bellini et al.		
D552,857 S		10/2007	Wang		
D553,886 S		10/2007	Su		
D554,877 S		11/2007	Tsai		
D572,509 S	*	7/2008	Rittfeldt et al.	D6/502

* cited by examiner

Primary Examiner—Caron Veynar

Assistant Examiner—Abraham Bahta

(74) *Attorney, Agent, or Firm*—Birch, Stewart, Kolasch & Birch, LLP

(57) **CLAIM**

The ornamental design for a chair back, as shown and described.

DESCRIPTION

FIG. 1 is a front, right perspective view of a chair back showing our new design;

FIG. 2 is a rear elevational view thereof;

FIG. 3 is a top plan view thereof;

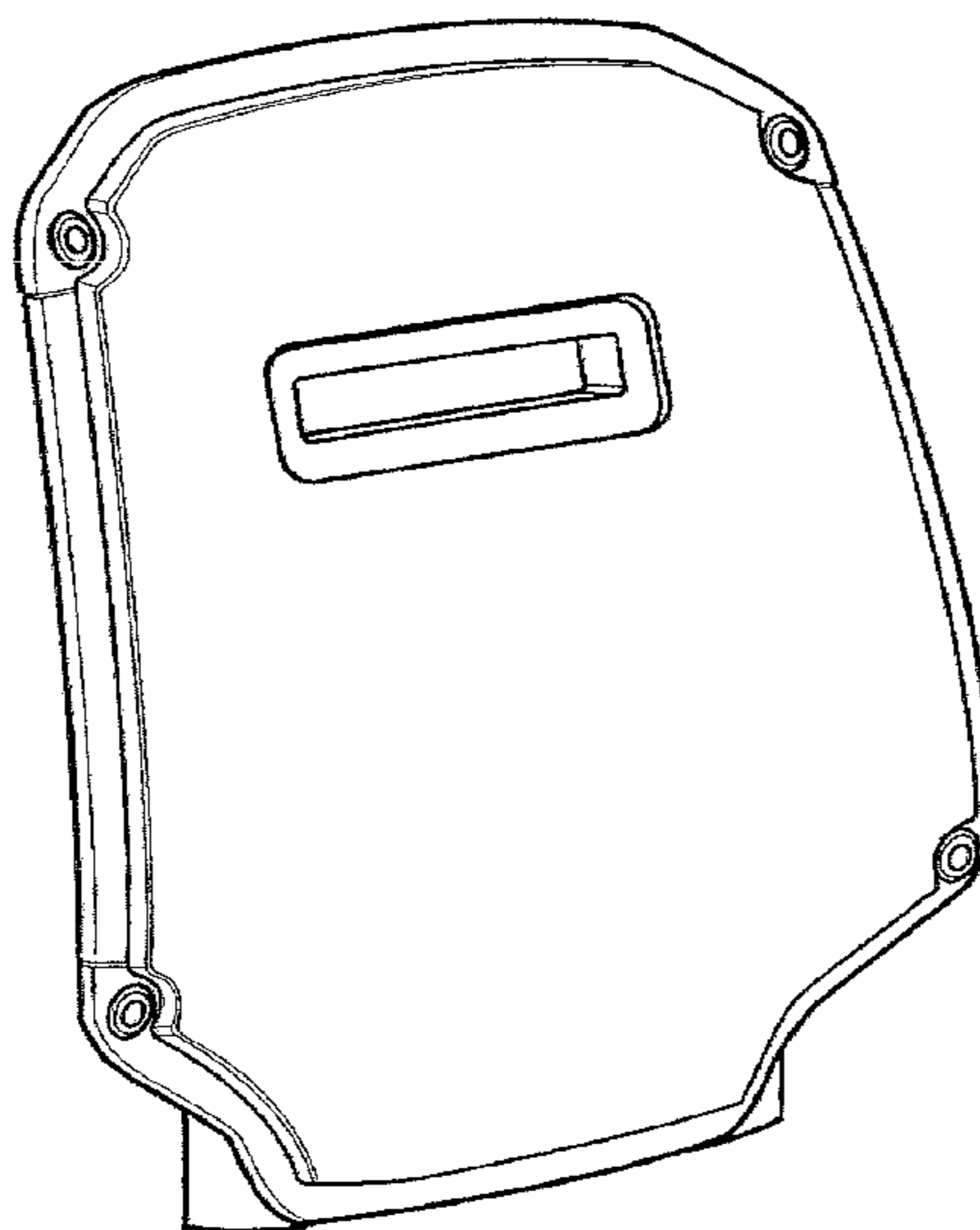
FIG. 4 is a right side view thereof;

FIG. 5 is a left side view thereof;

FIG. 6 is a front elevational view thereof; and,

FIG. 7 is a bottom plan view thereof.

1 Claim, 4 Drawing Sheets



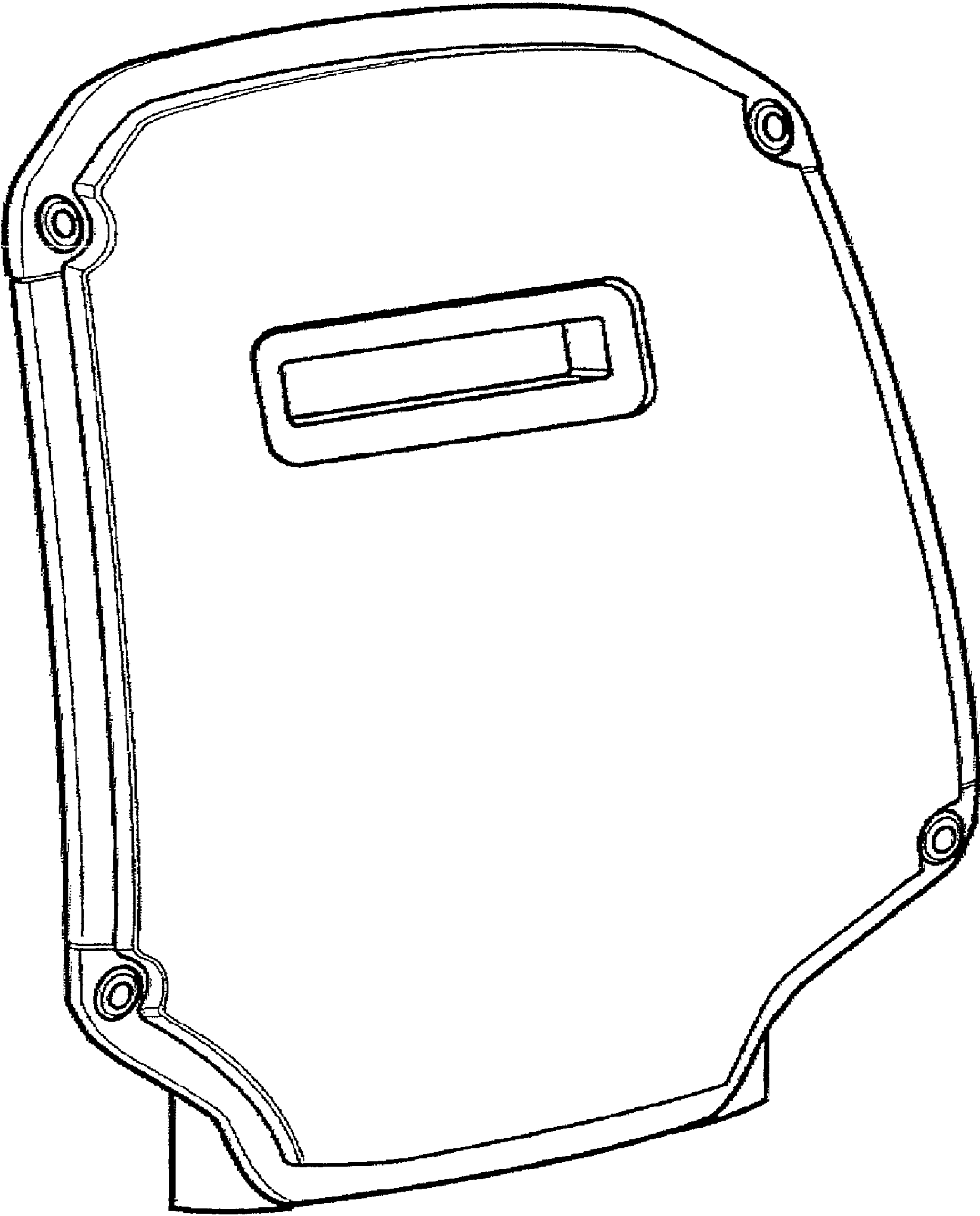


FIG. 1

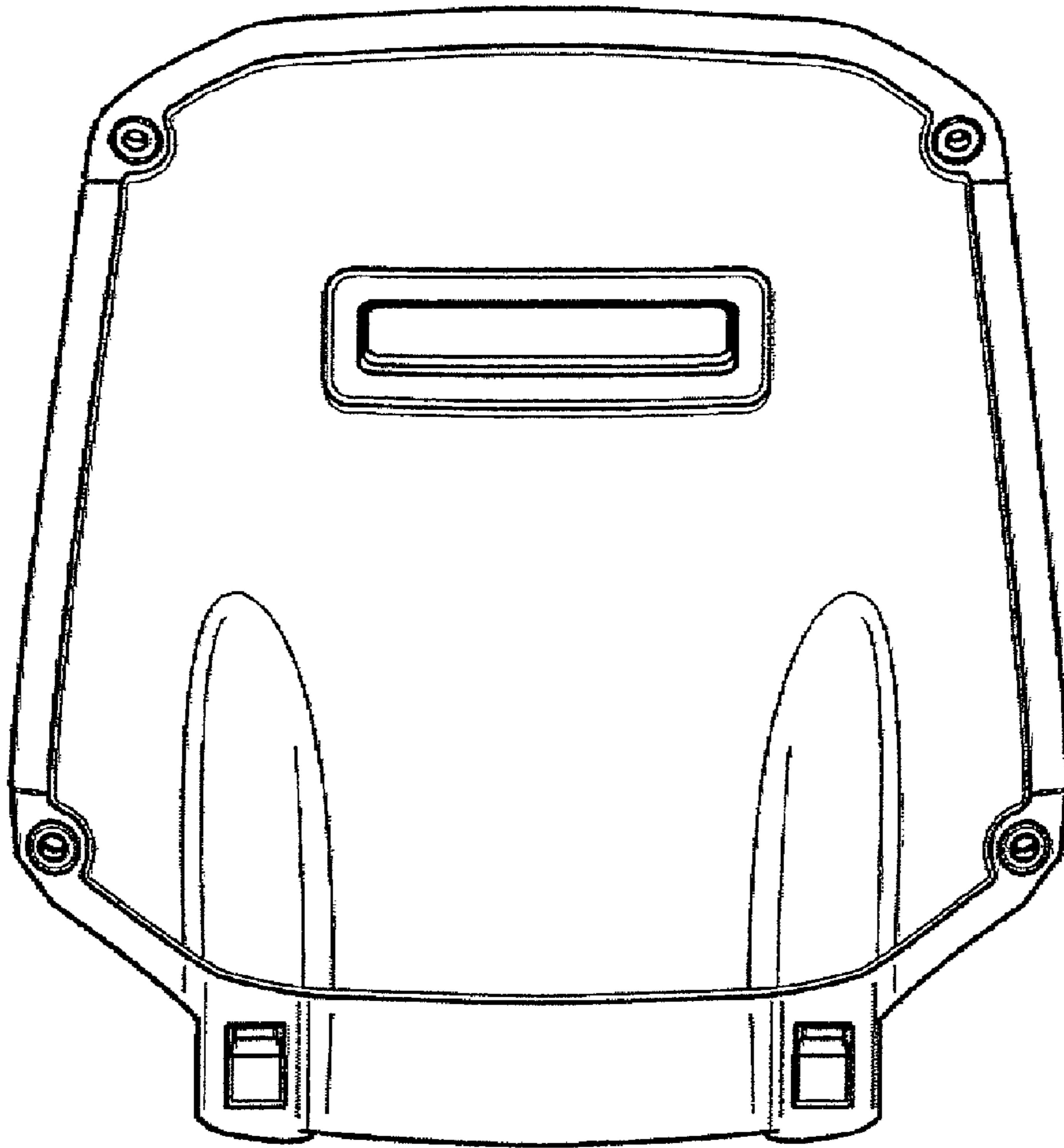


FIG. 2

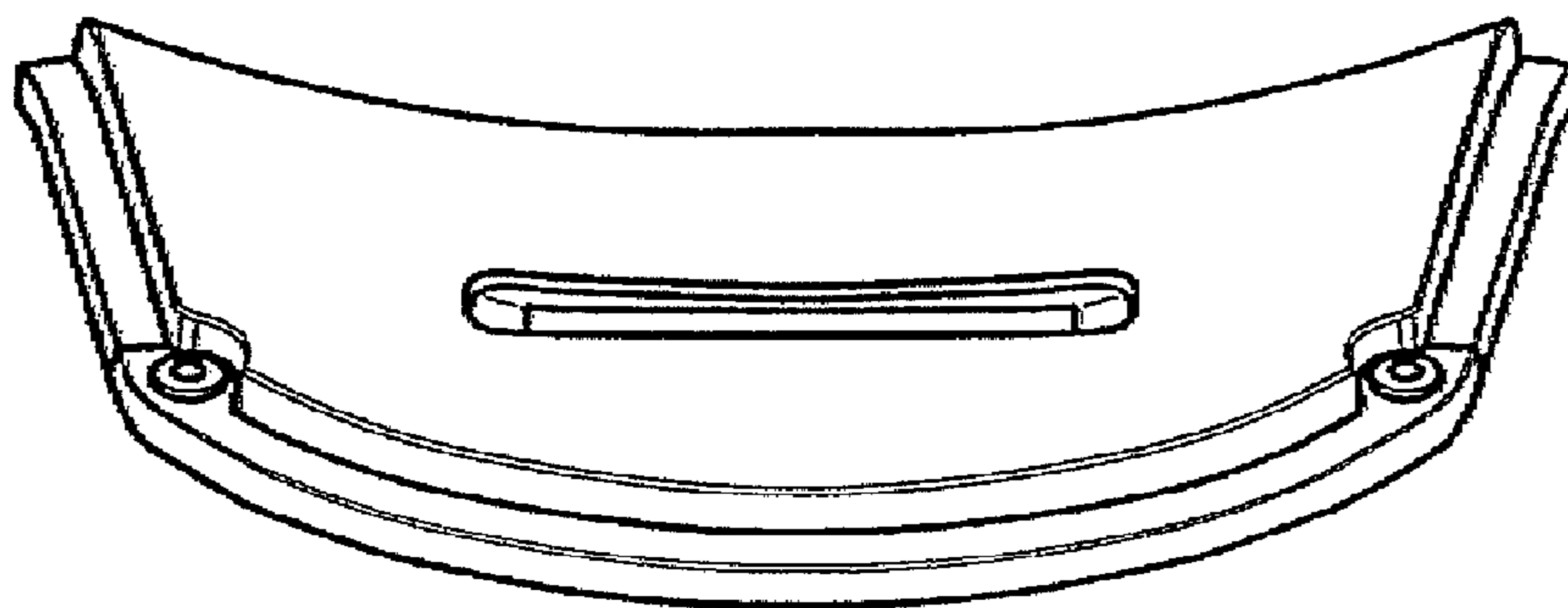


FIG. 3

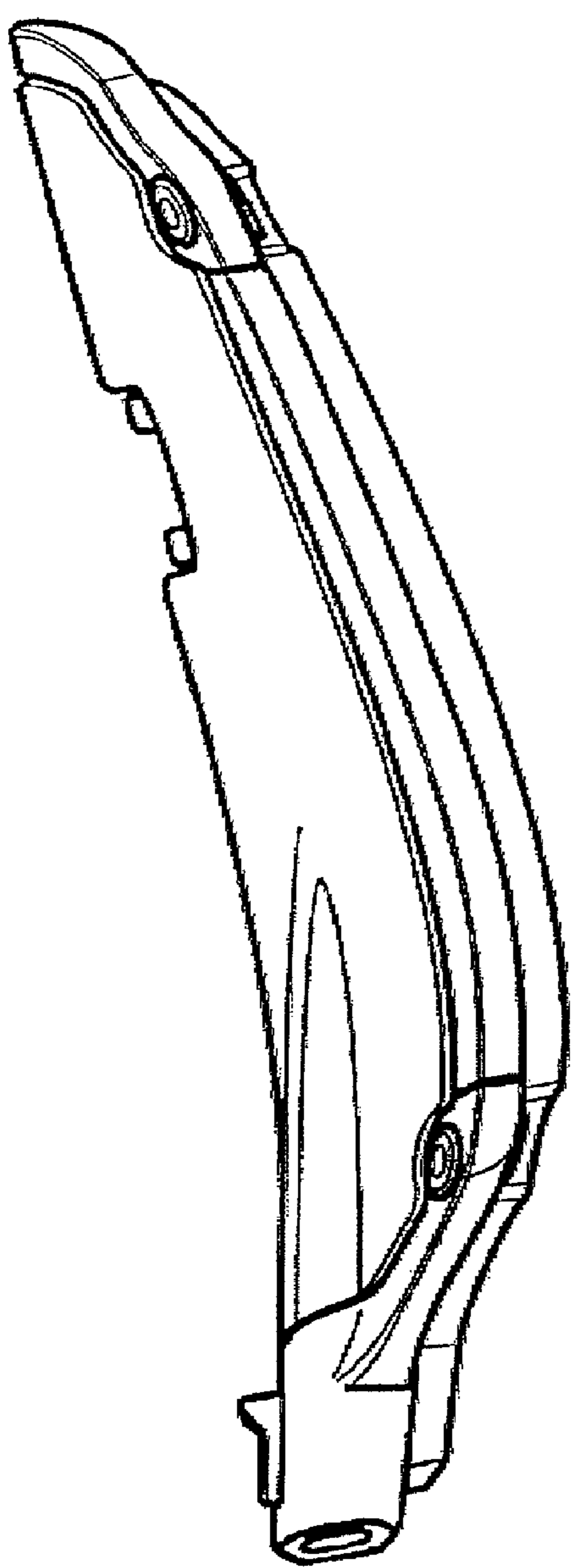


FIG. 4

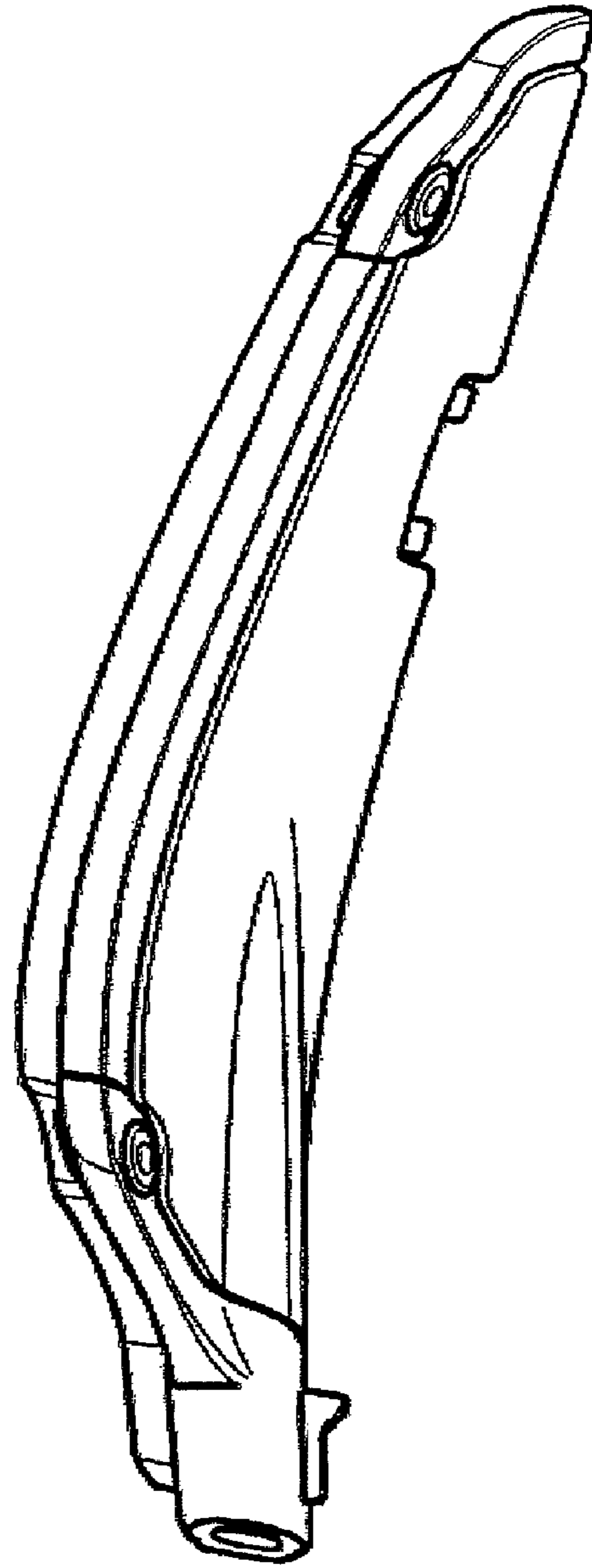


FIG. 5

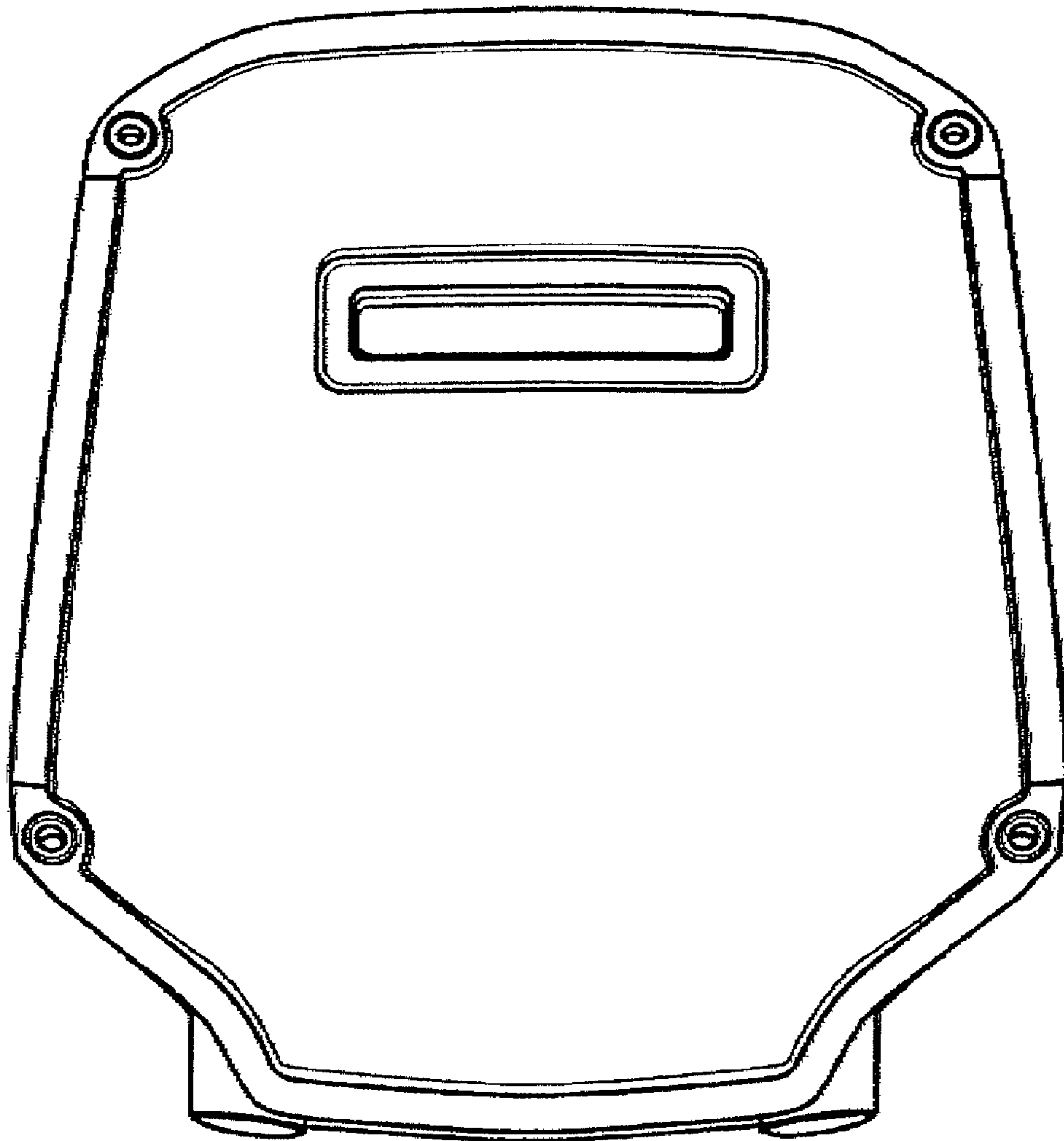


FIG. 6

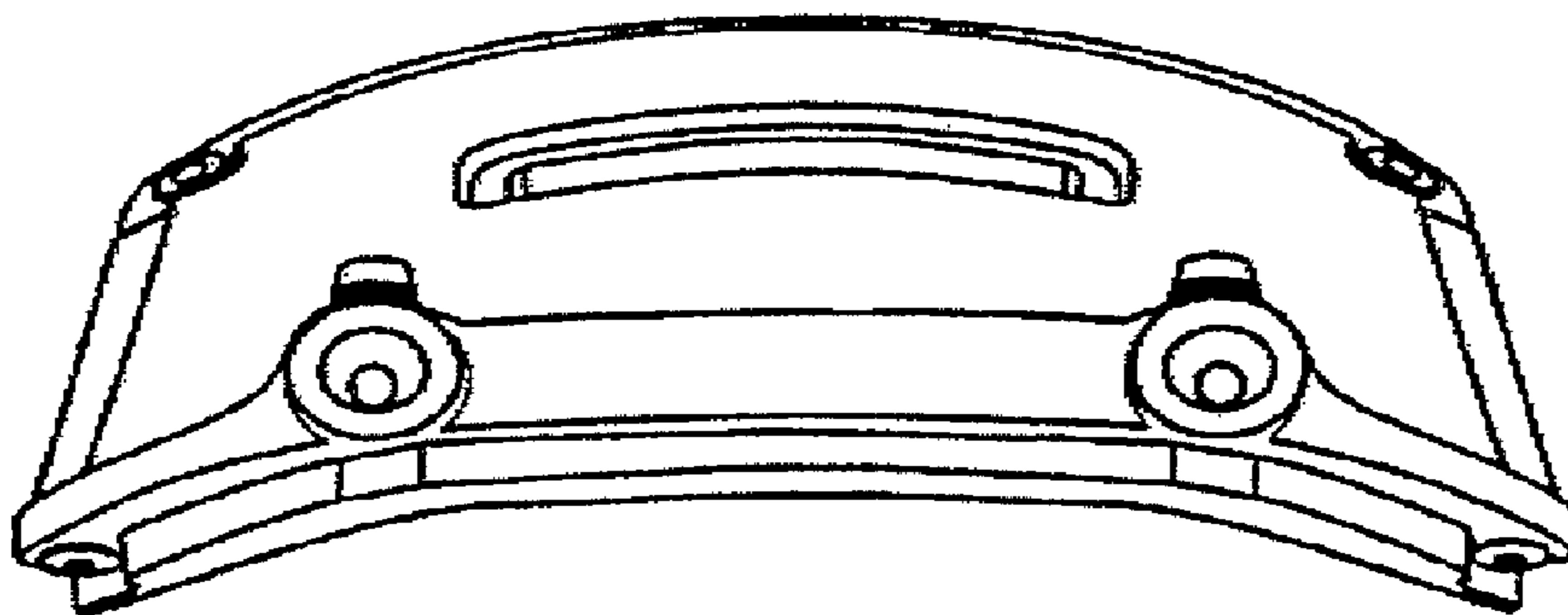


FIG. 7