



US00D586591S

(12) **United States Design Patent**
Stoller

(10) **Patent No.:** **US D586,591 S**

(45) **Date of Patent:** **** Feb. 17, 2009**

(54) **PILING BEAM TABLE**

(75) Inventor: **Evan Stoller**, Chatham, NY (US)

(73) Assignee: **Stoller Architecture**, Chatham, NY (US)

(**) Term: **14 Years**

(21) Appl. No.: **29/305,244**

(22) Filed: **Mar. 17, 2008**

(51) **LOC (9) Cl.** **06-06**

(52) **U.S. Cl.** **D6/495**

(58) **Field of Classification Search** D6/480-489,
D6/495-499, 429-431, 511, 419, 420; 108/150,
108/153.1, 156, 157.1, 161; 248/188, 188.1,
248/188.8

See application file for complete search history.

(56) **References Cited**

U.S. PATENT DOCUMENTS

D236,058 S *	7/1975	Kramer	D6/484
D512,587 S *	12/2005	Frenkler et al.	D6/480
D513,140 S *	12/2005	Strong	D6/499
D554,909 S *	11/2007	Theemann	D6/480
D573,812 S *	7/2008	Saotome	D6/480

D574,634 S * 8/2008 Saotome D6/480
2007/0074481 A1 4/2007 Stoller

* cited by examiner

Primary Examiner—Janice E Seeger

(74) *Attorney, Agent, or Firm*—Gottlieb, Rackman & Reisman, PC

(57) **CLAIM**

The ornamental design for a piling beam table, as shown and described.

DESCRIPTION

FIG. 1 is a perspective view of a piling beam table, showing my new design;

FIG. 2 is a front elevational view, the rear being a mirror image thereof;

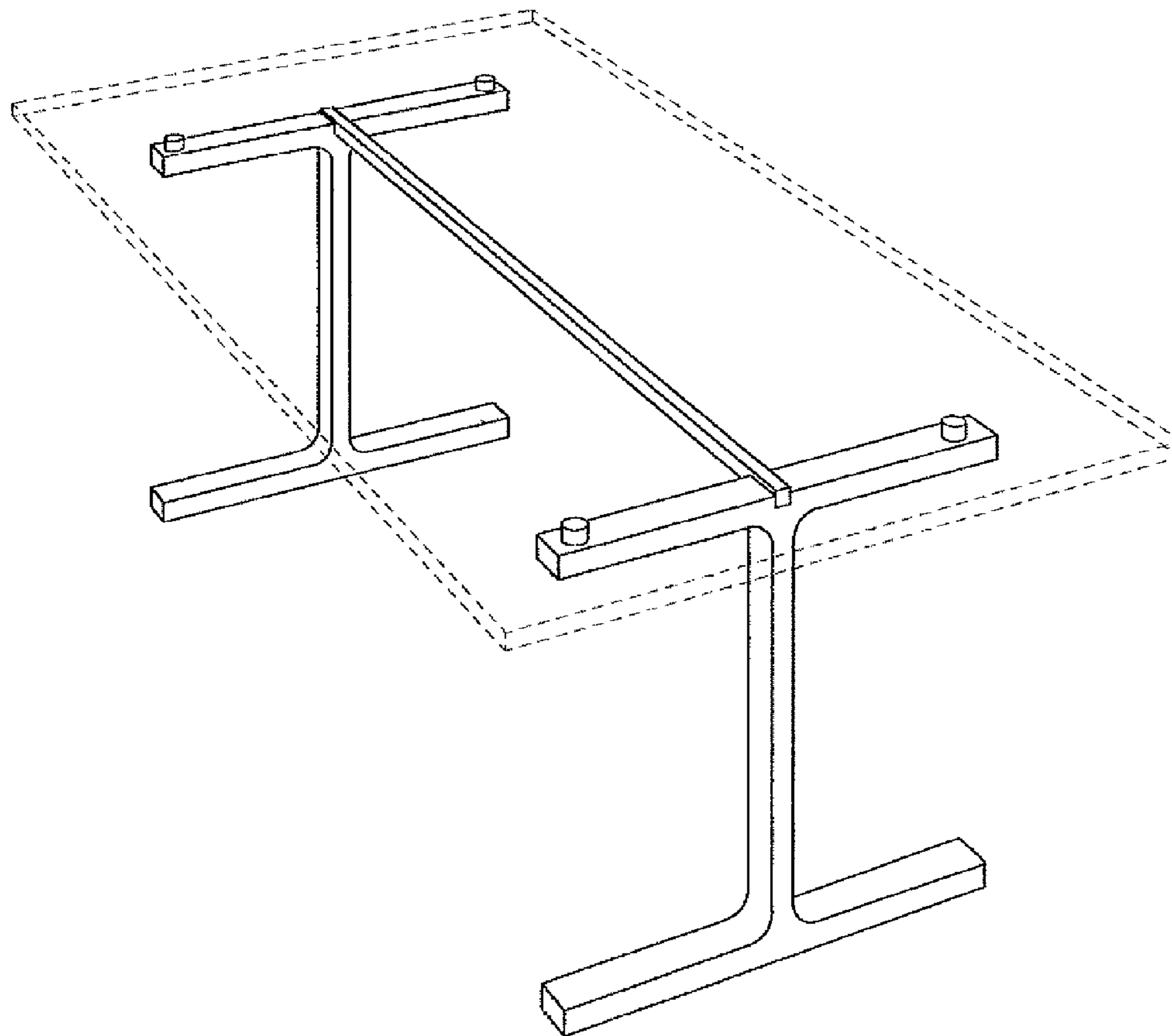
FIG. 3 is a left side elevational view, the right being mirror image thereof;

FIG. 4 is a top plan view thereof; and,

FIG. 5 is a bottom plan view thereof.

The broken lines showing the table top are for environmental purposes only and form no part of the claimed design.

1 Claim, 4 Drawing Sheets



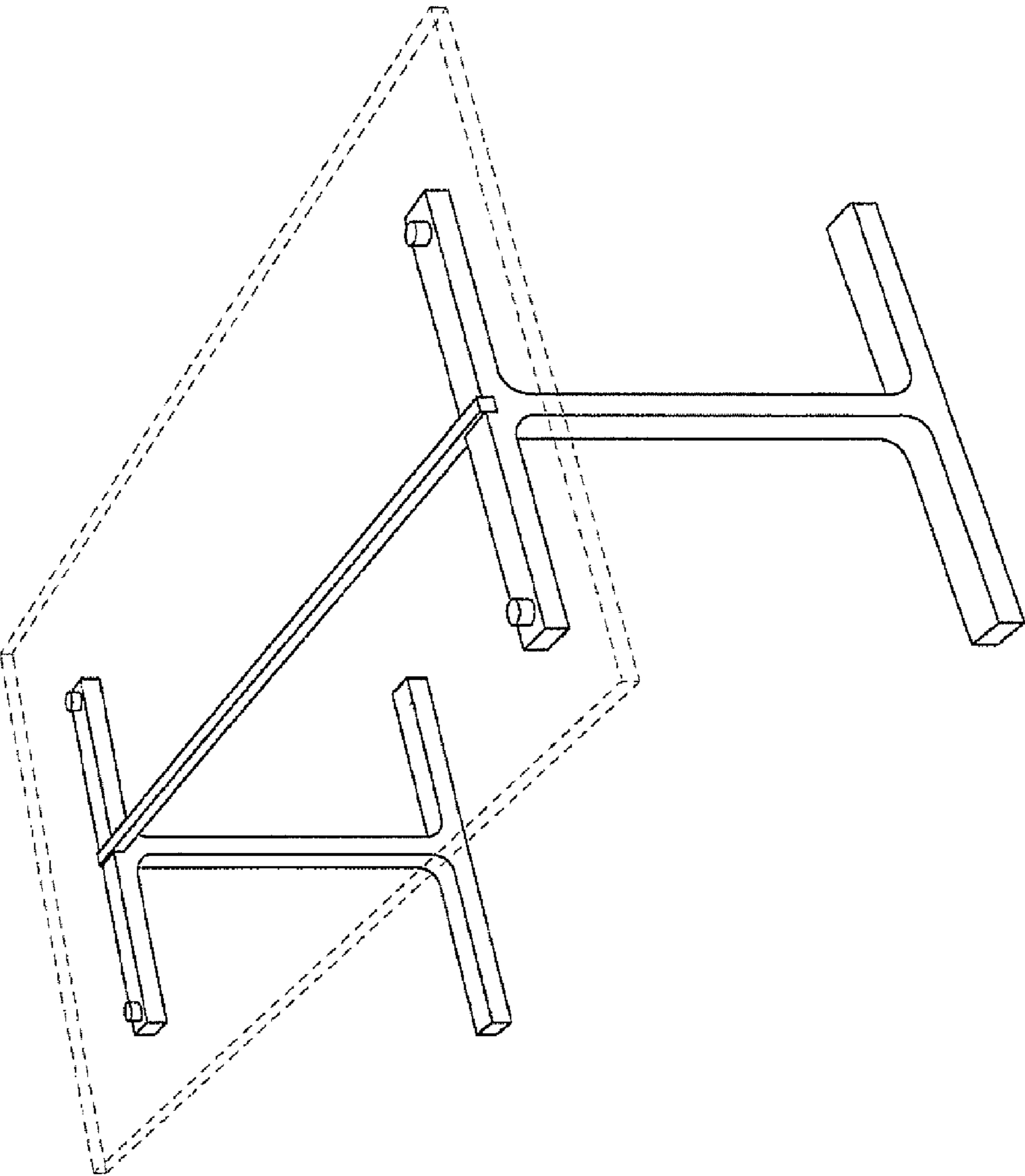


Fig. 1

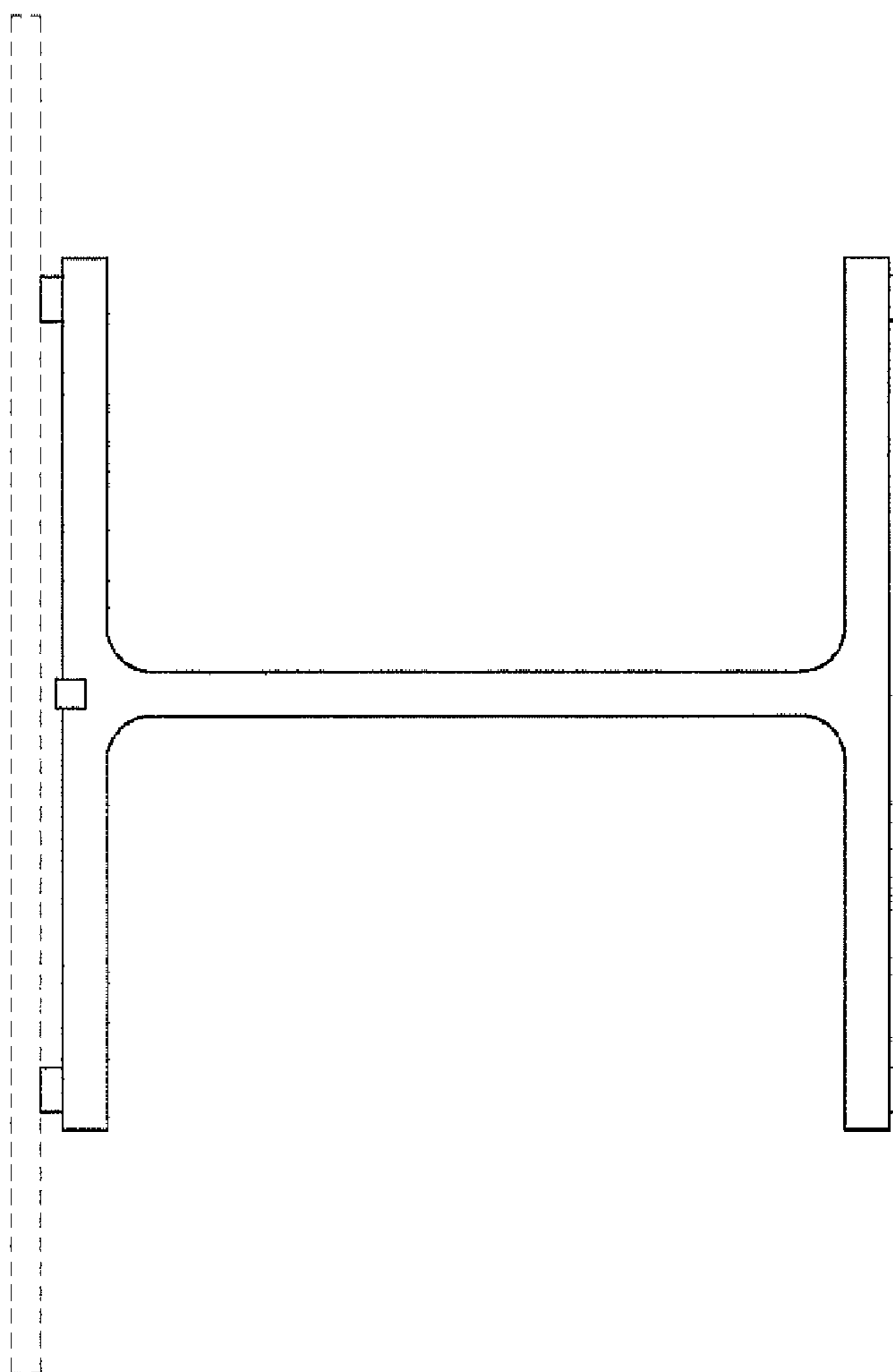


Fig. 2

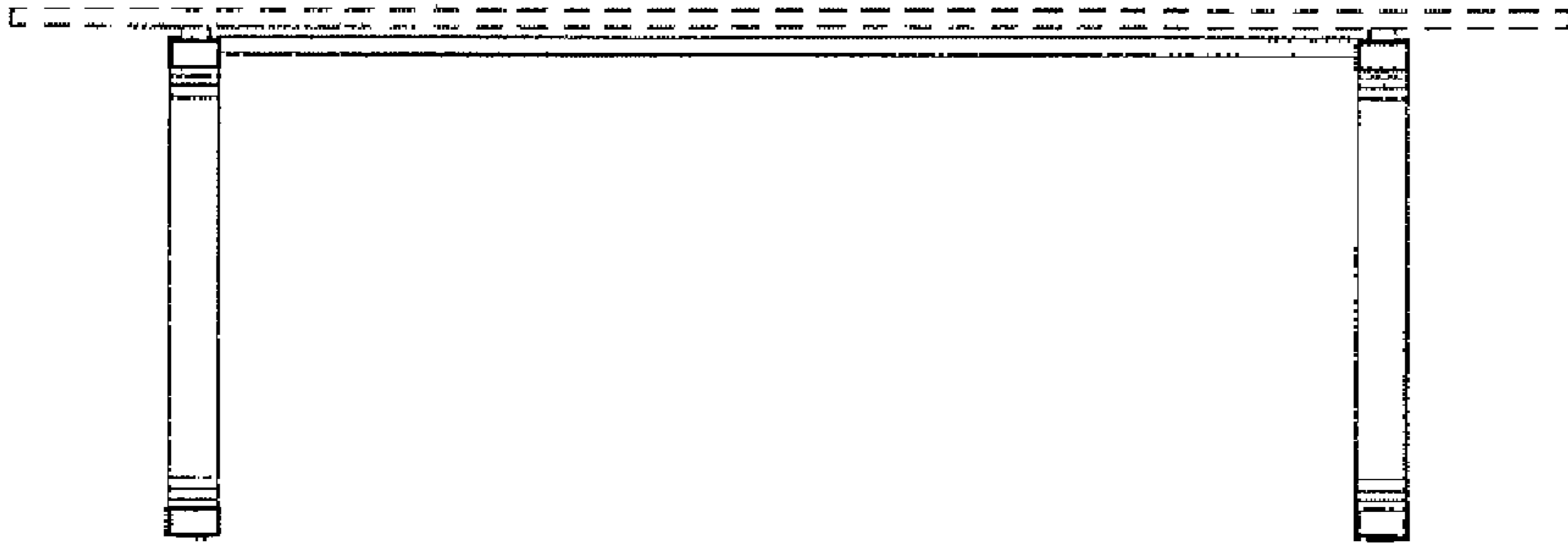


Fig. 3

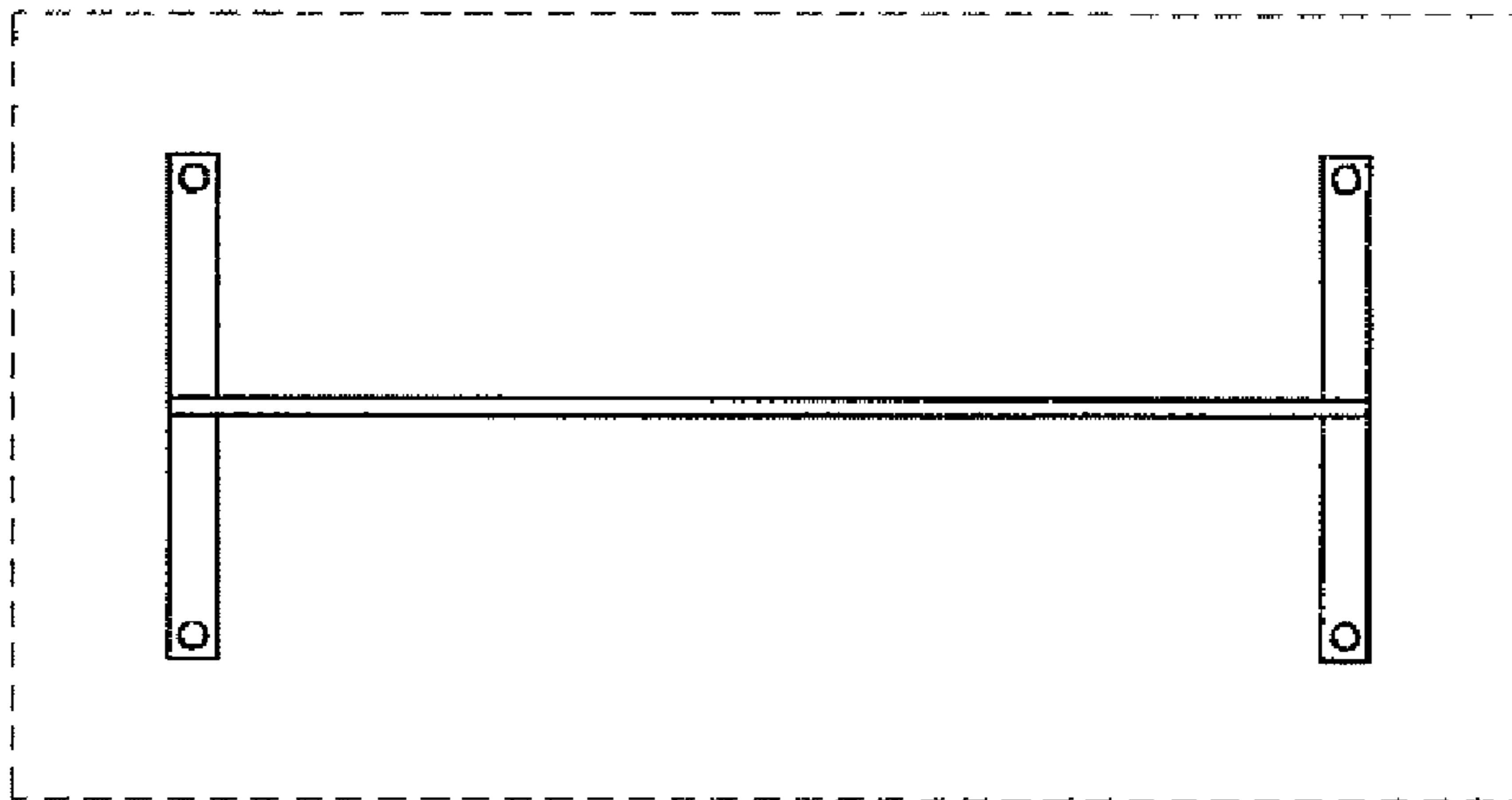


Fig. 4

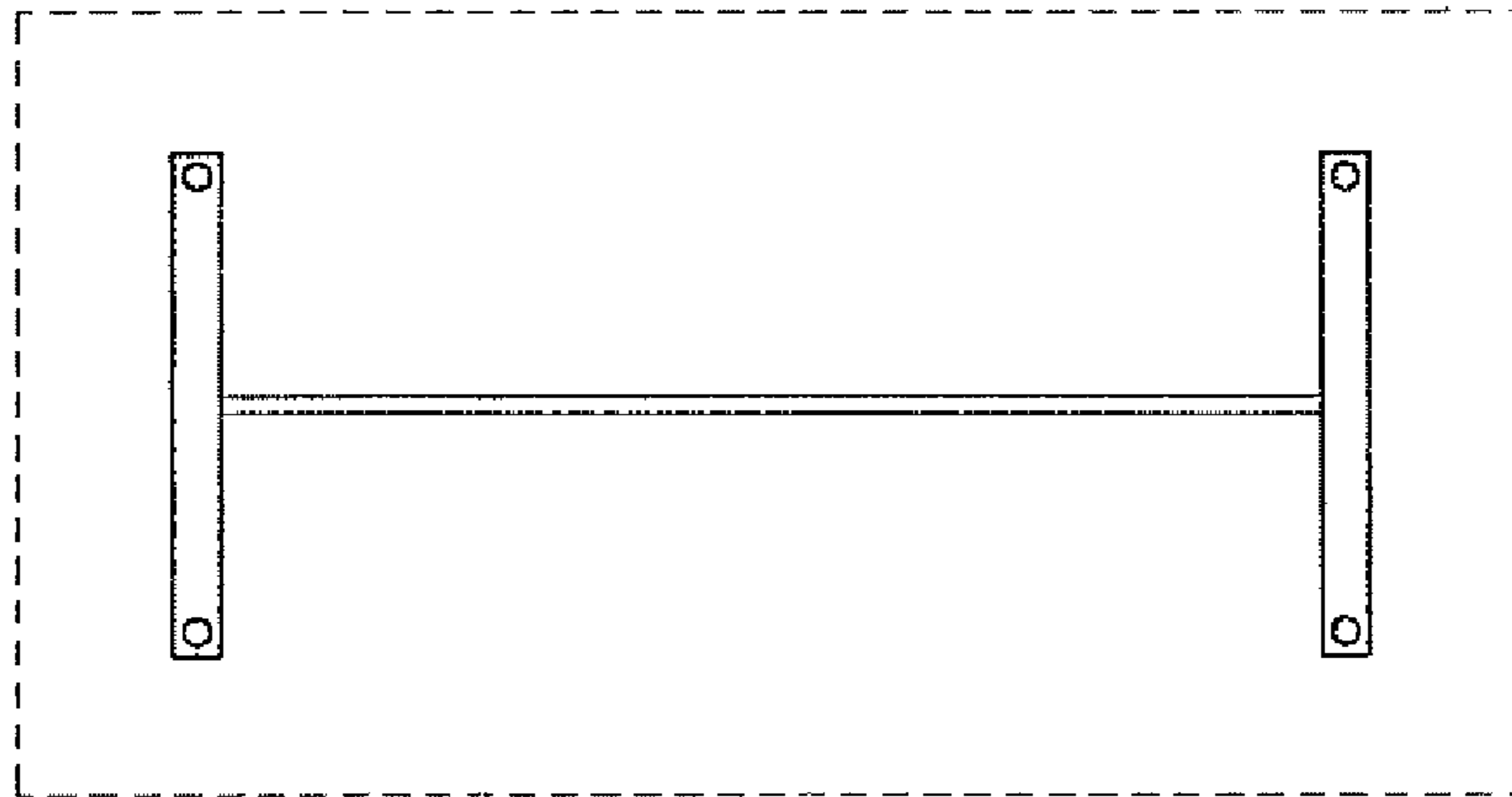


Fig. 5