



US00D586589S

(12) **United States Design Patent**  
**Magnusson**

(10) **Patent No.:** **US D586,589 S**  
(45) **Date of Patent:** **\*\* Feb. 17, 2009**

(54) **TABLE**

(75) Inventor: **Carl G. Magnusson**, New York, NY  
(US)

(73) Assignee: **TK Canada Limited**, Downsview,  
Ontario (CA)

(\*\*) Term: **14 Years**

(21) Appl. No.: **29/272,429**

(22) Filed: **Feb. 8, 2007**

(51) **LOC (9) Cl.** ..... **06-06**

(52) **U.S. Cl.** ..... **D6/491; D6/495**

(58) **Field of Classification Search** ..... D6/480-489,  
D6/495-499, 491; 108/157.1, 161, 153.1,  
108/155; 248/188, 188.1, 188.8; D25/66,  
D25/100

See application file for complete search history.

(56) **References Cited**

**U.S. PATENT DOCUMENTS**

3,592,145	A	7/1971	Petry	
4,748,913	A	6/1988	Favaretto et al.	
5,390,803	A	2/1995	McAllister	
5,560,160	A	10/1996	Vladikovic	
D389,676	S	1/1998	Diaz-Azcuy	
5,711,230	A	1/1998	Parsons	
D403,898	S	1/1999	Arnegger	
D404,939	S *	2/1999	Frank et al.	D6/495

D461,336	S	8/2002	Slear et al.	
6,622,876	B2	9/2003	Goldberg	
D498,088	S *	11/2004	Tsang	D6/484
D554,913	S *	11/2007	Magnusson	D6/495
2005/0144886	A1	7/2005	Holawe	

**OTHER PUBLICATIONS**

Zague Nn Innovation, by J. Strasborg, May 1, 1989 #1045 table at bottom of page.\*  
Interior Design Market, Sep. 1987, p. 40, table.\*

\* cited by examiner

*Primary Examiner*—Janice E Seeger  
(74) *Attorney, Agent, or Firm*—Katten Muchin Rosenman LLP

(57) **CLAIM**

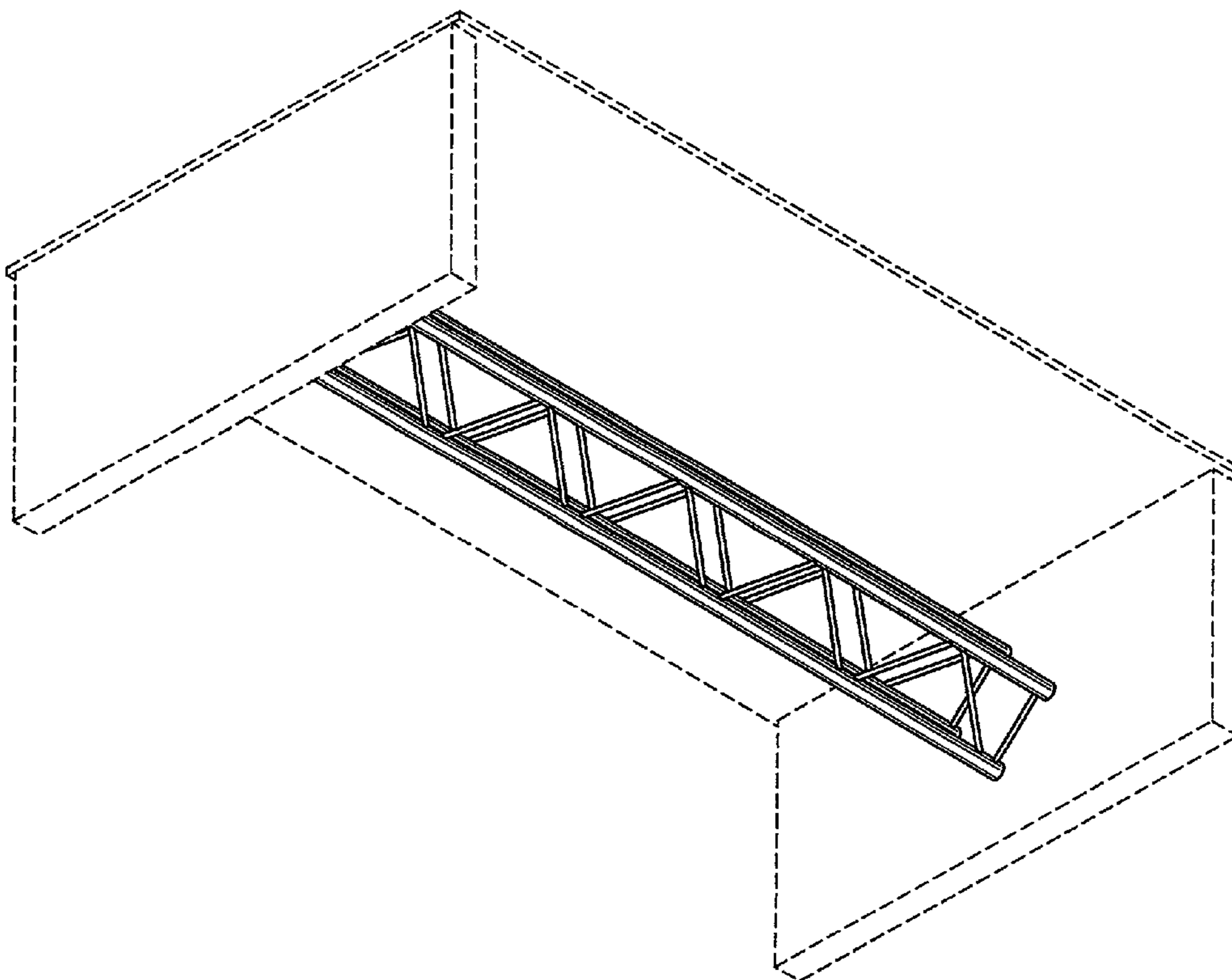
The ornamental design for a table, as shown and described.

**DESCRIPTION**

FIG. 1 is a bottom perspective view of the design;  
FIG. 2 is a front elevation view;  
FIG. 3 is a rear elevation view; and,  
FIG. 4 is a bottom plan view.

The portions of the table shown in broken lines are provided for illustration purposes only and form no part of the claimed design.

**1 Claim, 4 Drawing Sheets**



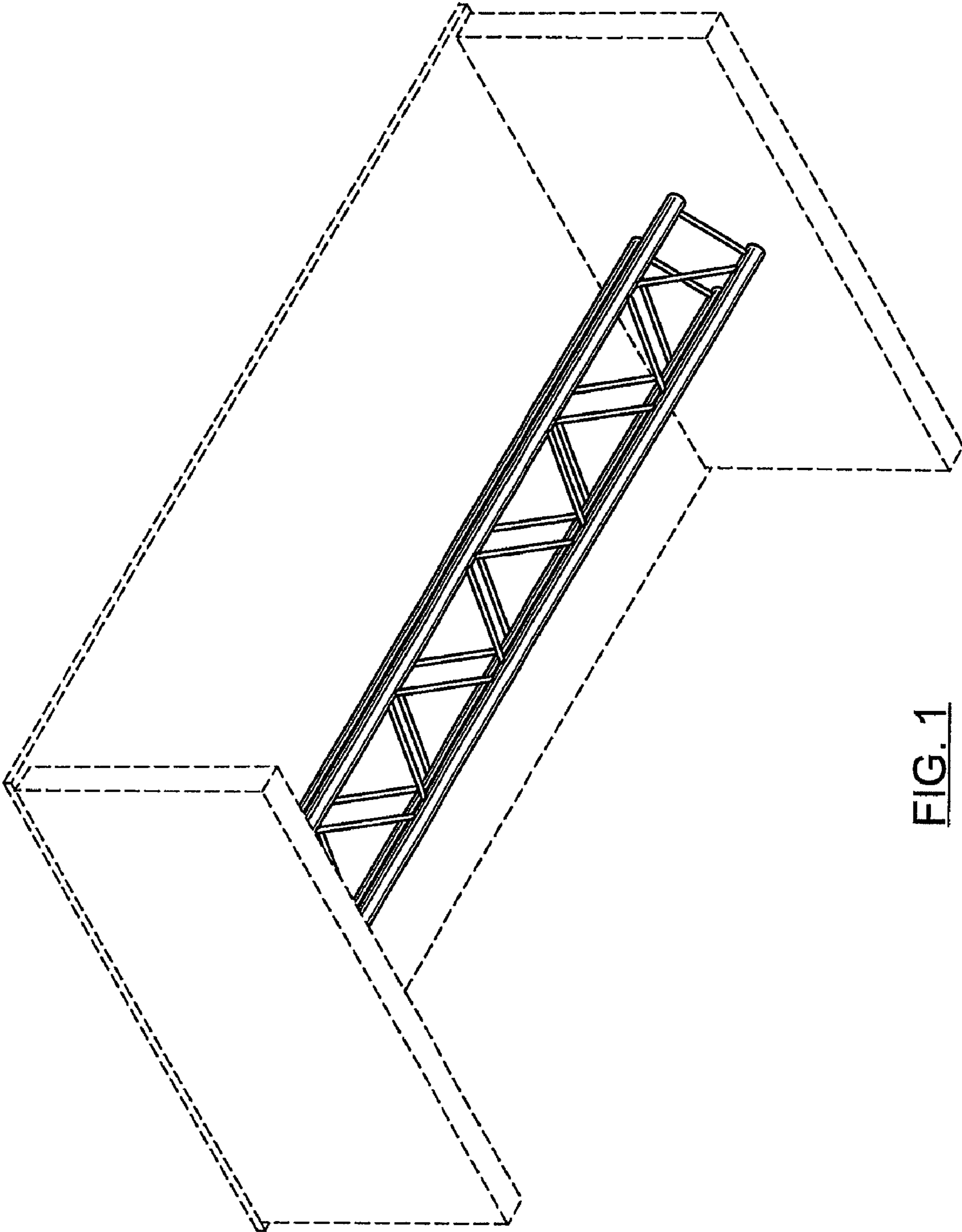


FIG. 1

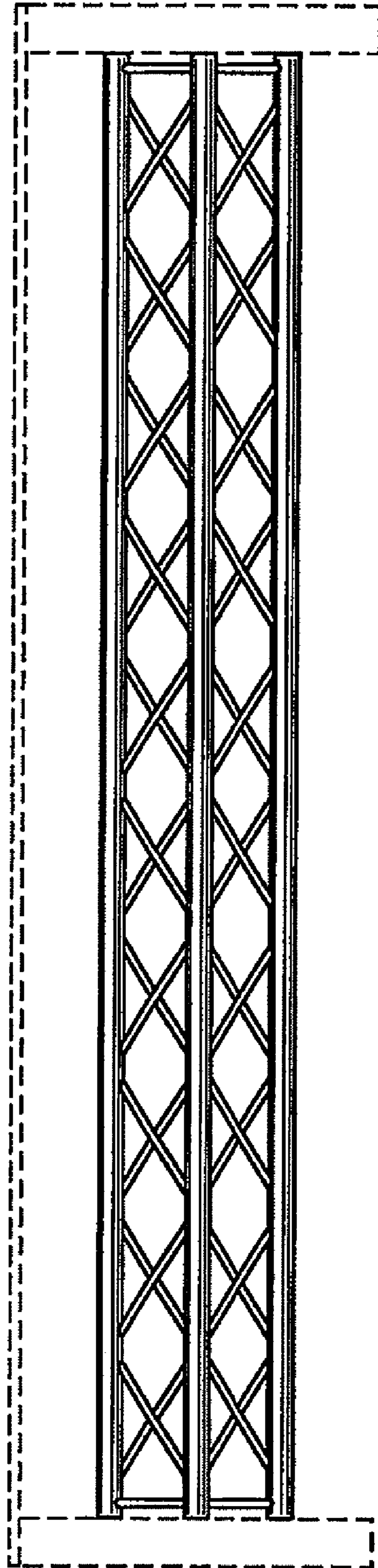


FIG. 2

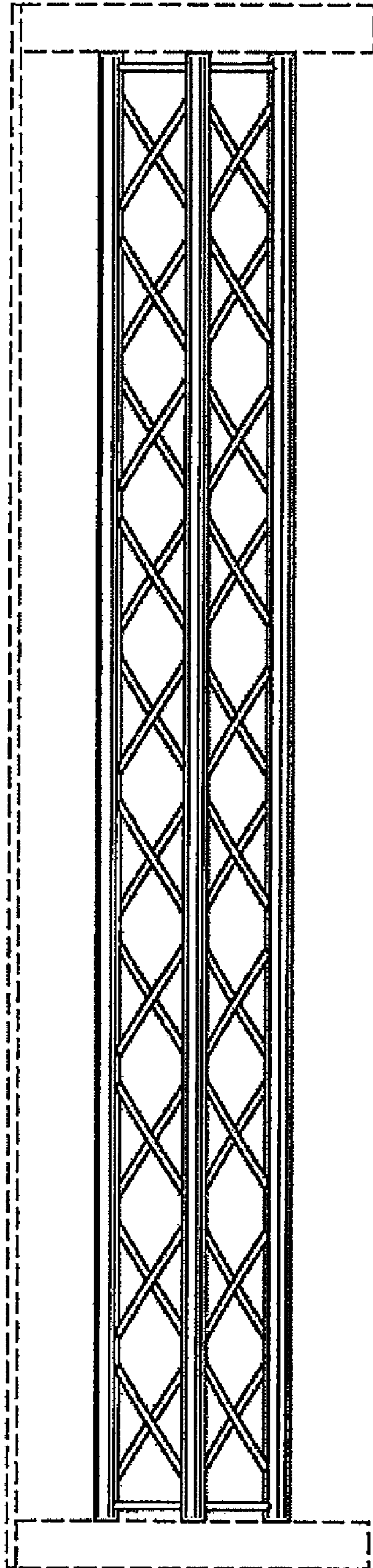


FIG. 3

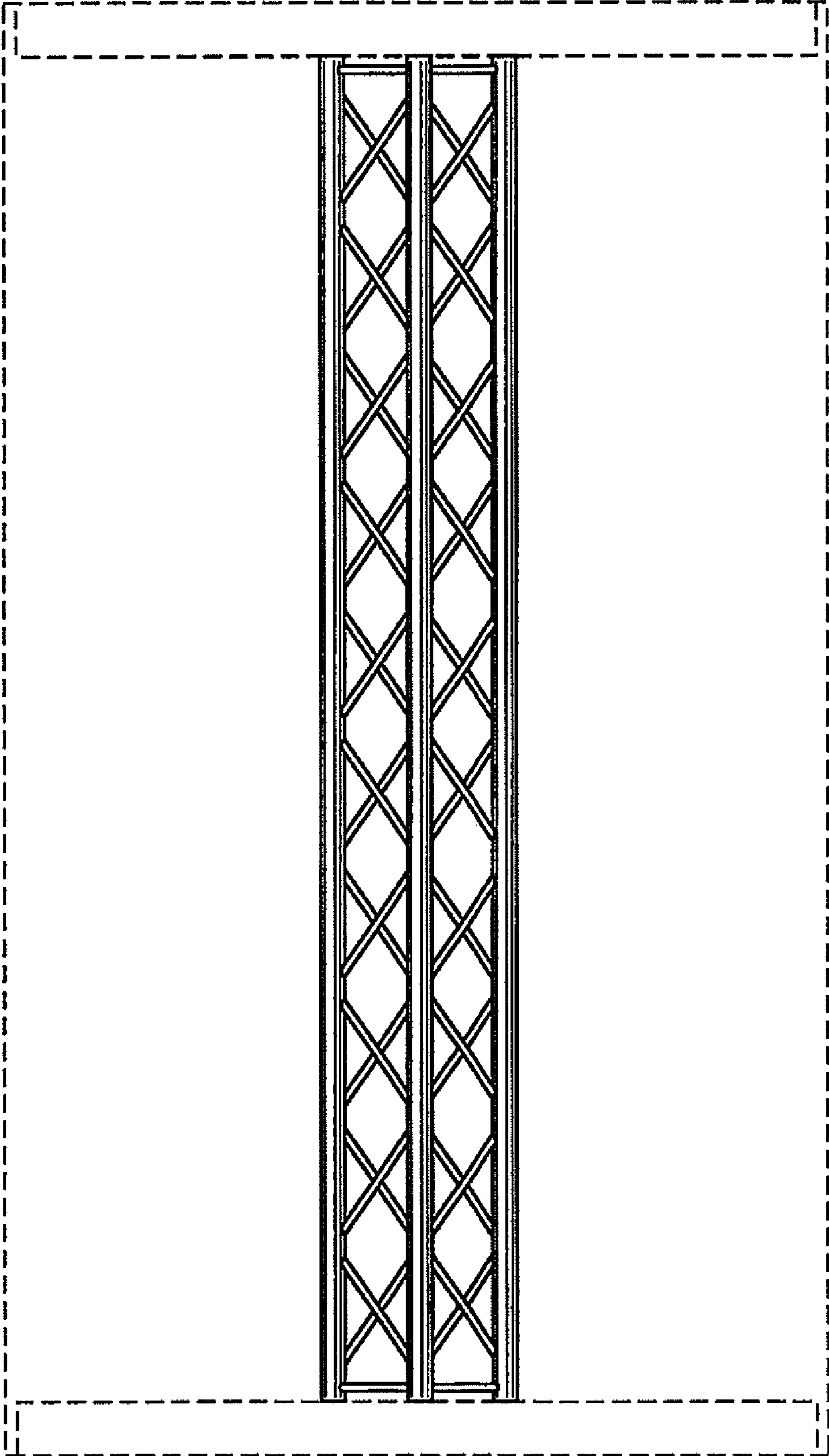


FIG. 4