



US00D586588S

(12) **United States Design Patent**
Lai

(10) **Patent No.:** **US D586,588 S**
(45) **Date of Patent:** **** Feb. 17, 2009**

(54) **COMPUTER DESK**

(75) Inventor: **Kuo-Ping Lai**, Chunghua (TW)

(73) Assignee: **Chyi Cheng Co., Ltd.**, Changhua (TW)

(**) Term: **14 Years**

(21) Appl. No.: **29/304,059**

(22) Filed: **Feb. 24, 2008**

(51) **LOC (9) Cl.** **06-03**

(52) **U.S. Cl.** **D6/484; D6/425**

(58) **Field of Classification Search** D6/480-489,
D6/495-499, 429-431, 422, 425-428; 108/150,
108/153.1, 156, 157.1, 161, 50.01, 50.02;
312/194-196, 258

See application file for complete search history.

(56) **References Cited**

U.S. PATENT DOCUMENTS

D188,605 S * 8/1960 Lubberts et al. D6/428

D477,931 S * 8/2003 Chang D6/422
D517,835 S * 3/2006 O'Hare D6/422
D569,126 S * 5/2008 Sexton D6/425
D575,550 S * 8/2008 Chang D6/425

* cited by examiner

Primary Examiner—Janice E Seeger

(57) **CLAIM**

The ornamental design for a computer desk, as shown.

DESCRIPTION

FIG. 1 is a perspective view of a computer desk showing my new design;

FIG. 2 is a front elevational view thereof;

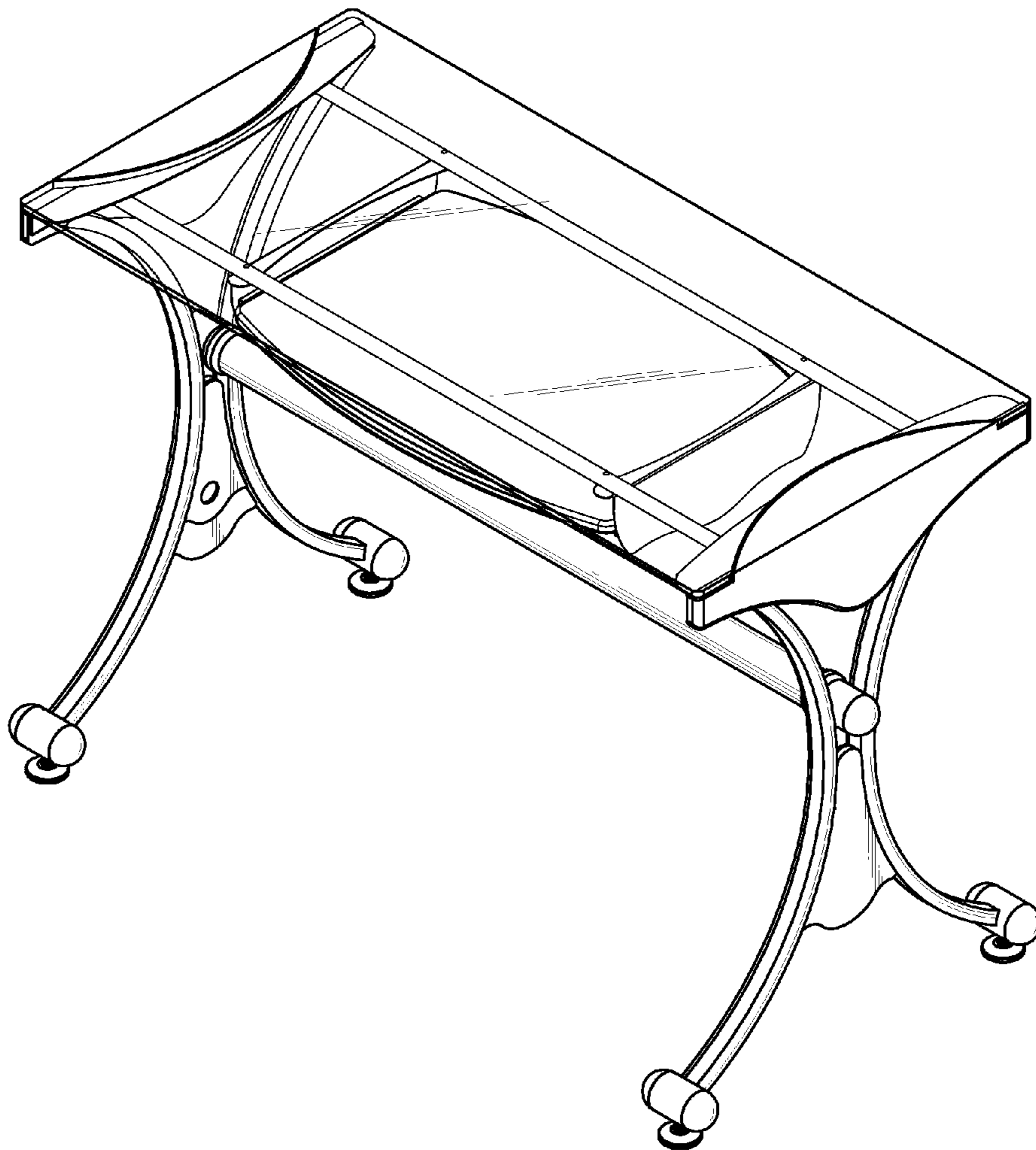
FIG. 3 is a rear elevational view thereof;

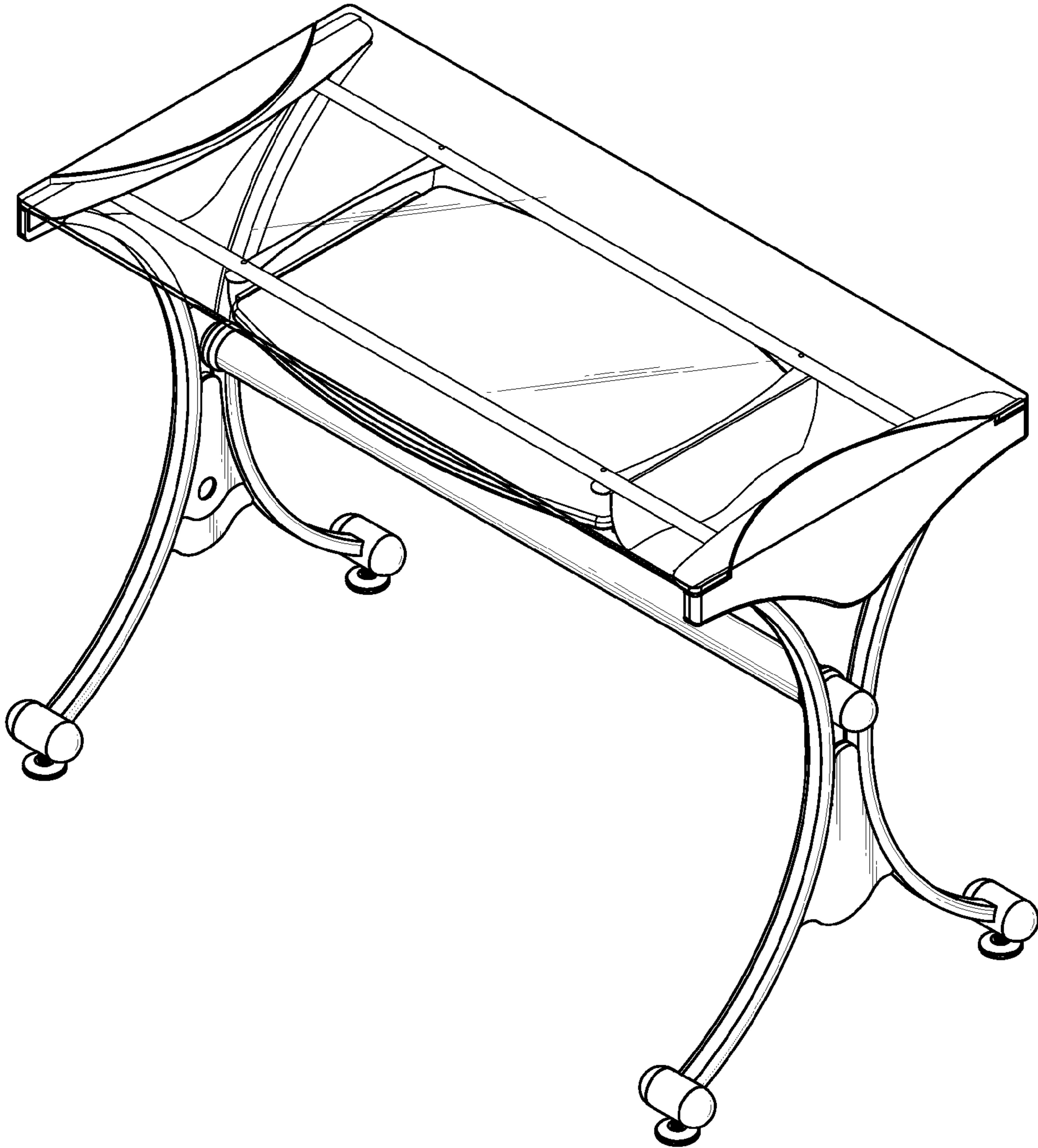
FIG. 4 is a left side view thereof;

FIG. 5 is a right side view thereof; and,

FIG. 6 is a top plan view thereof.

1 Claim, 6 Drawing Sheets





F I G . 1

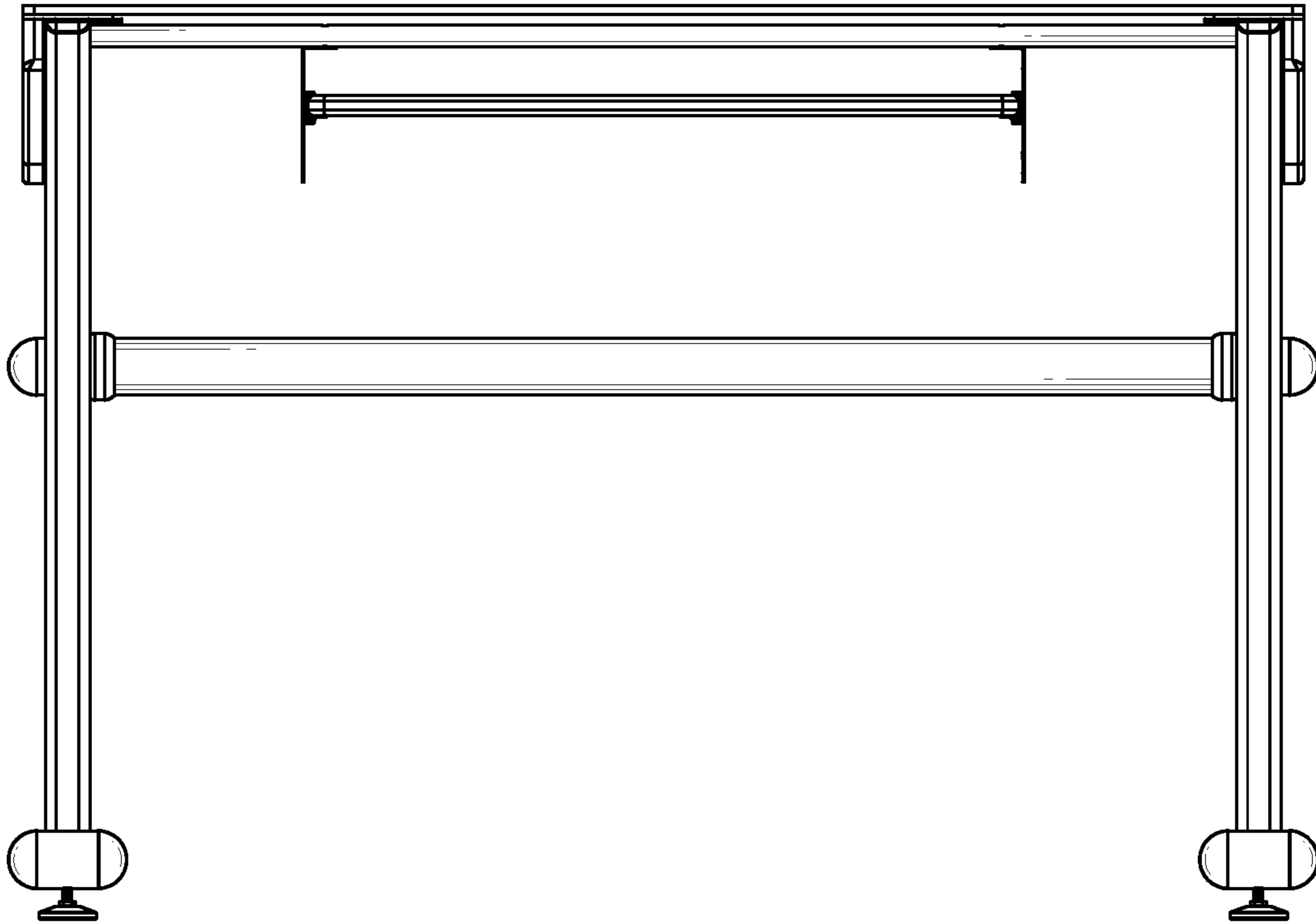
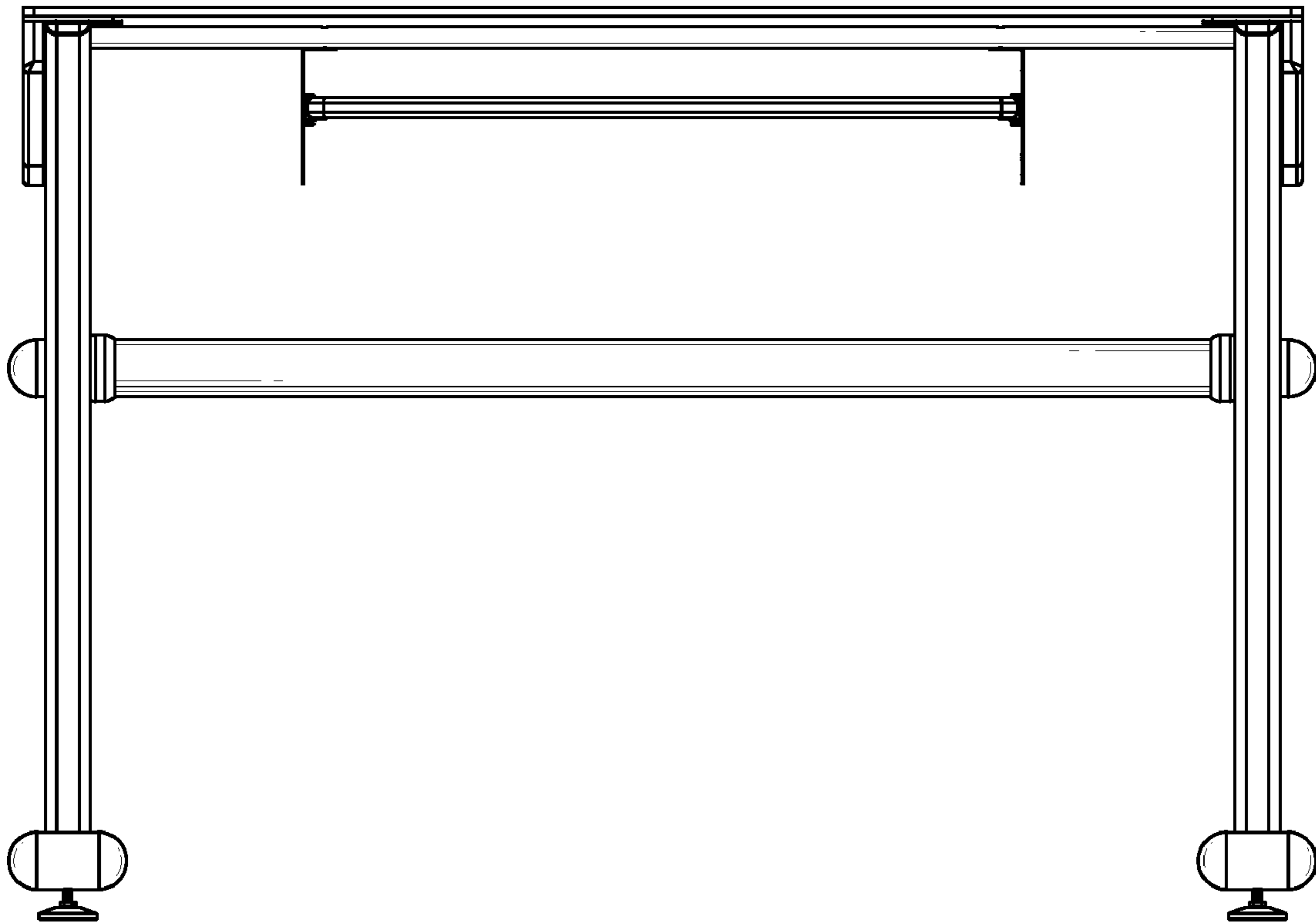


FIG. 2



F I G . 3

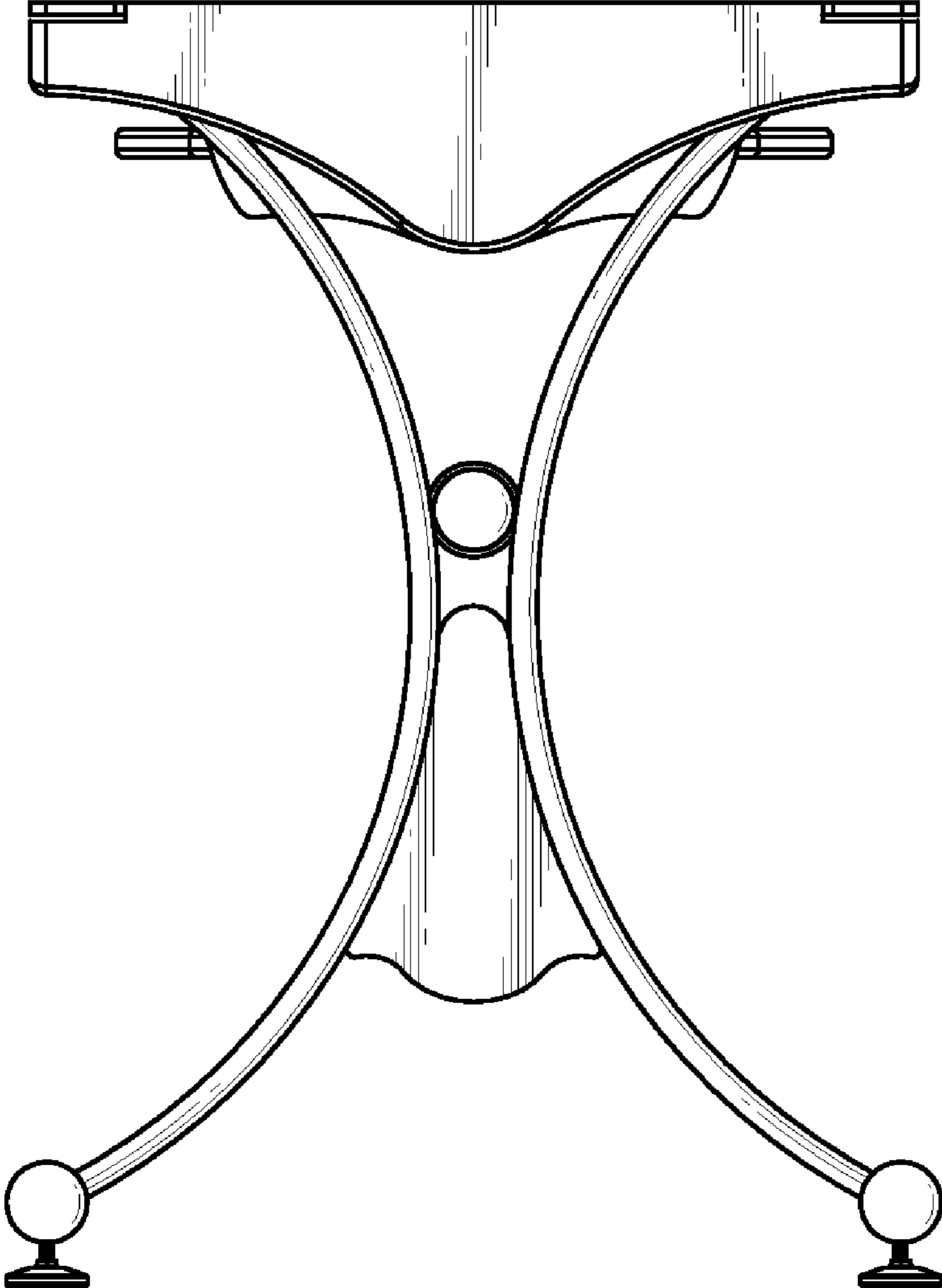


FIG. 4

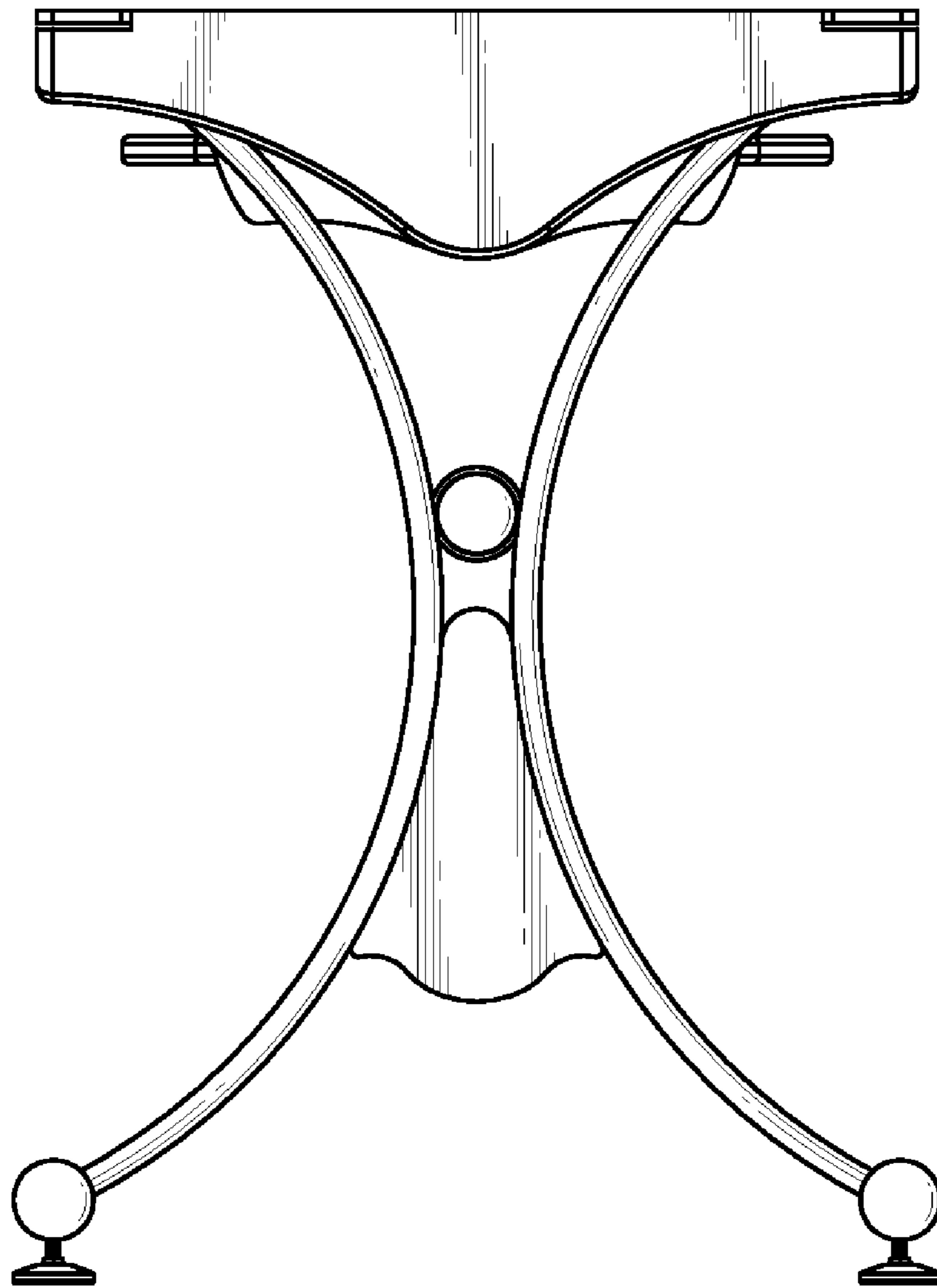
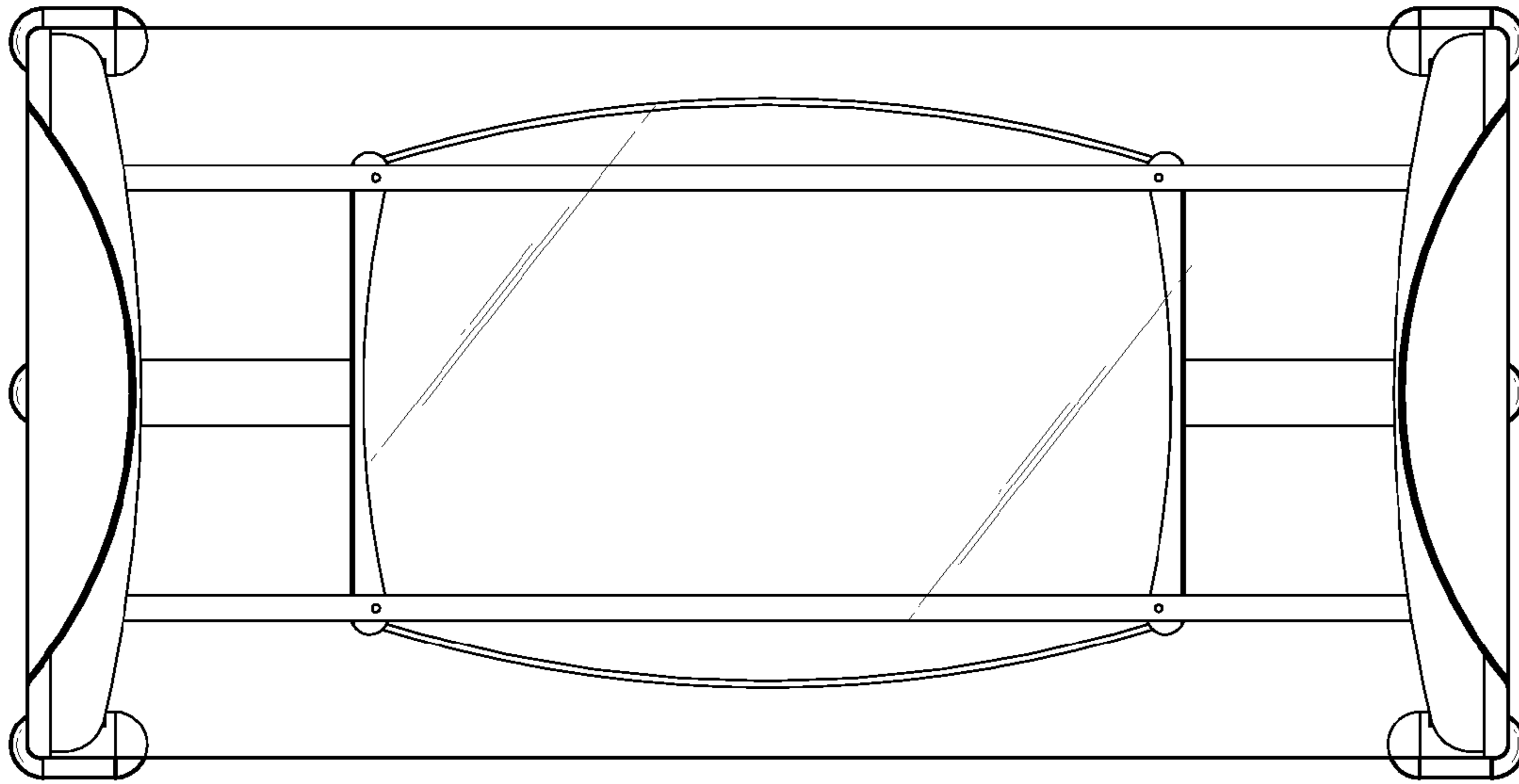


FIG. 5



F I G . 6