



US00D586582S

(12) **United States Design Patent**  
**Alexander**

(10) **Patent No.:** **US D586,582 S**

(45) **Date of Patent:** **\*\* Feb. 17, 2009**

(54) **MAGNETIC DISPLAY FOR EYEWEAR**

D534,015 S \* 12/2006 Bretz et al. .... D6/468  
D554,901 S \* 11/2007 Bretz et al. .... D6/468

(75) Inventor: **Jerry Alexander**, Houston, TX (US)

\* cited by examiner

(73) Assignee: **Gripping Eyewear, Inc.**, Houston, TX (US)

*Primary Examiner*—Caron Veynar

*Assistant Examiner*—Sydney R Buffalow

(\*\*) Term: **14 Years**

(74) *Attorney, Agent, or Firm*—Fulbright & Jaworski L.L.P.

(21) Appl. No.: **29/303,867**

(57) **CLAIM**

(22) Filed: **Feb. 19, 2008**

The ornamental design for a magnetic display for eyewear, as shown and described.

(51) **LOC (9) Cl.** ..... **06-04**

(52) **U.S. Cl.** ..... **D6/457**

(58) **Field of Classification Search** ..... D6/405,  
D6/468, 407, 449, 455, 457–462, 464, 467,  
D6/474, 476, 479, 517, 396; 211/13.1, 49.1,  
211/88.1, 134, 187, 133.1, 55, 128.1, 126.2  
See application file for complete search history.

**DESCRIPTION**

FIG. 1 depicts a perspective front view of an embodiment of a magnetic display for eyewear;

FIG. 2 is a front view of the display;

FIG. 3 is a back view of the display;

FIG. 4 is left side view of the display of FIG. 2;

FIG. 5 is a right side view of the display of FIG. 2;

FIG. 6 is a top view of the display of FIG. 2;

FIG. 7 is a bottom view of the display of FIG. 2; and,

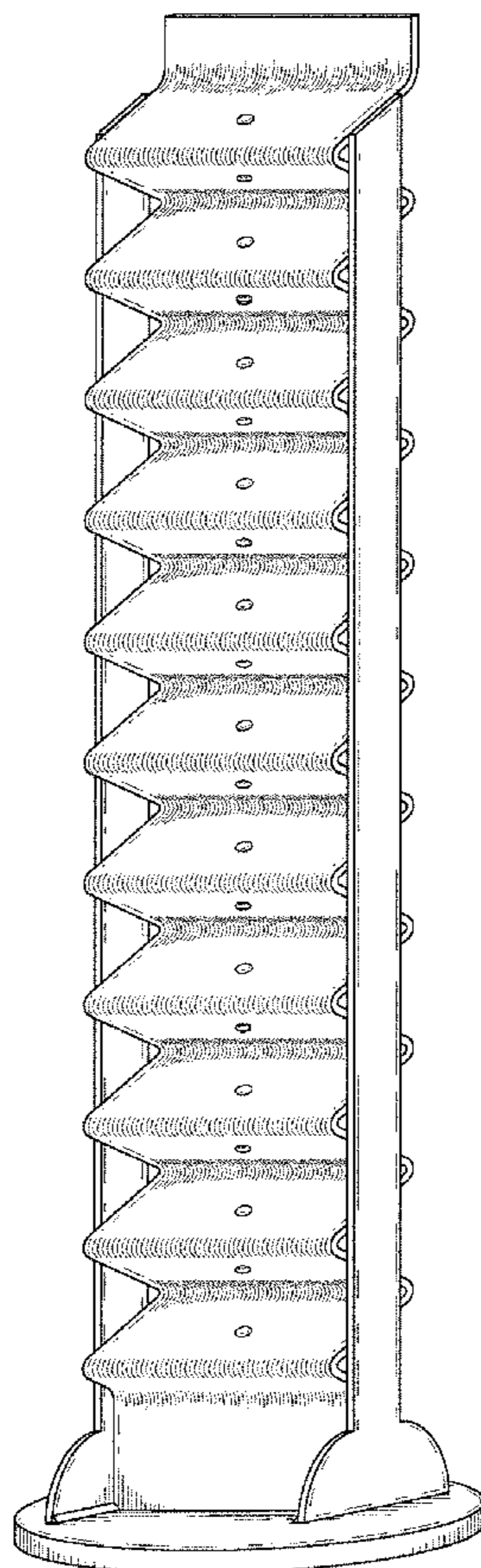
FIG. 8 is a cross-sectional view taken along lines 8—8 of the display of FIG. 2 illustrating the magnets.

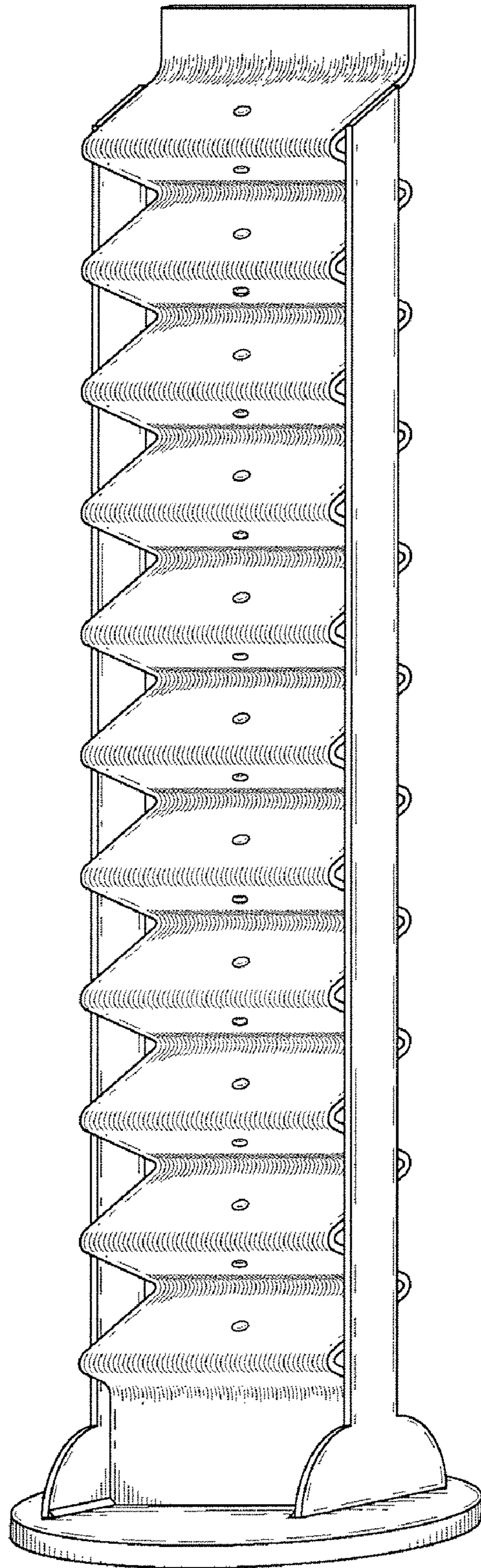
(56) **References Cited**

U.S. PATENT DOCUMENTS

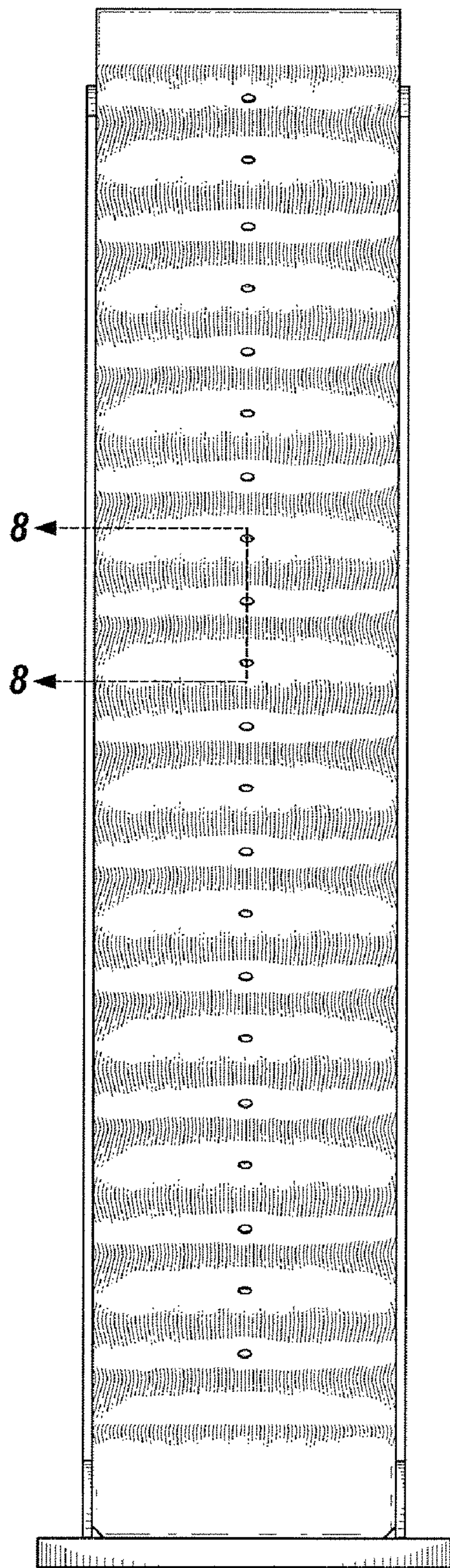
4,287,676	A	9/1981	Weinhaus	
5,984,117	A *	11/1999	Smith	211/55
6,360,464	B1	3/2002	Tate	
D468,934	S *	1/2003	Dienstmann	D6/449
6,626,303	B1	9/2003	Moodie	
7,073,672	B2	7/2006	Sholem	

**1 Claim, 4 Drawing Sheets**

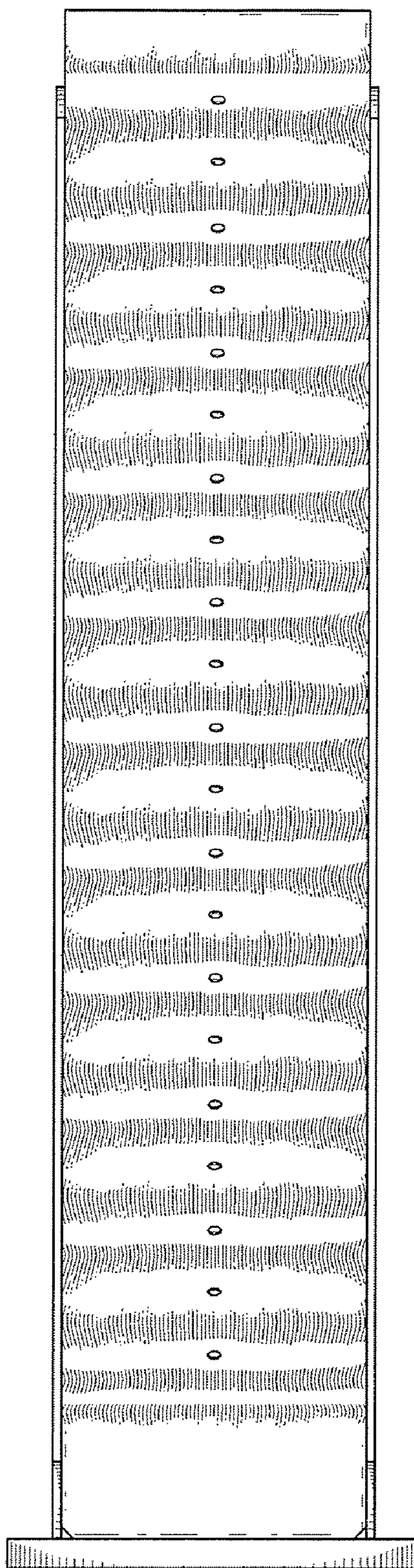




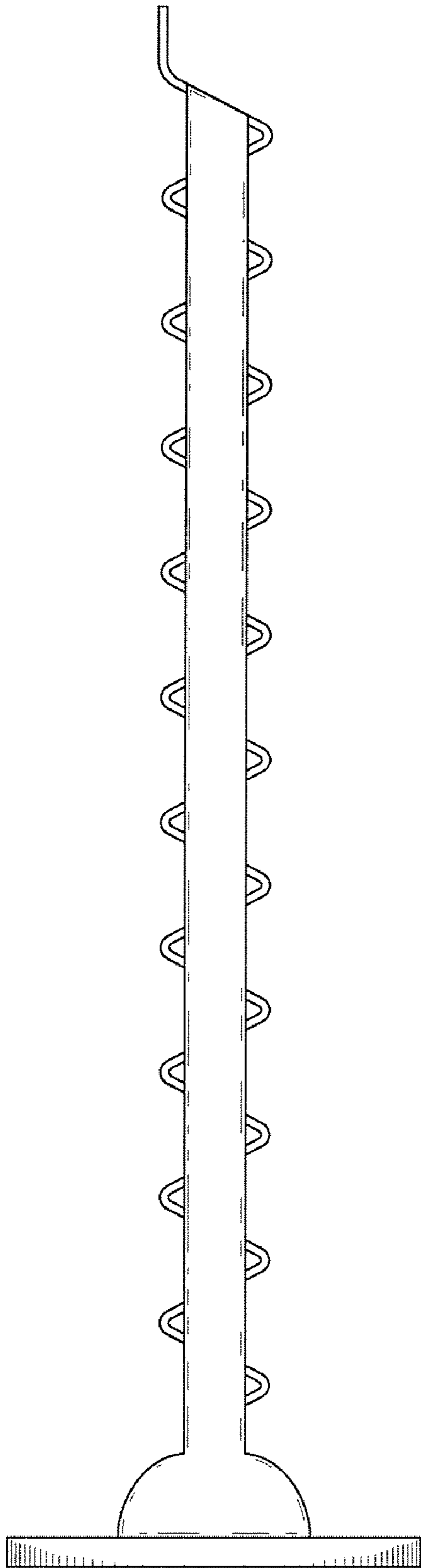
**FIG. 1**



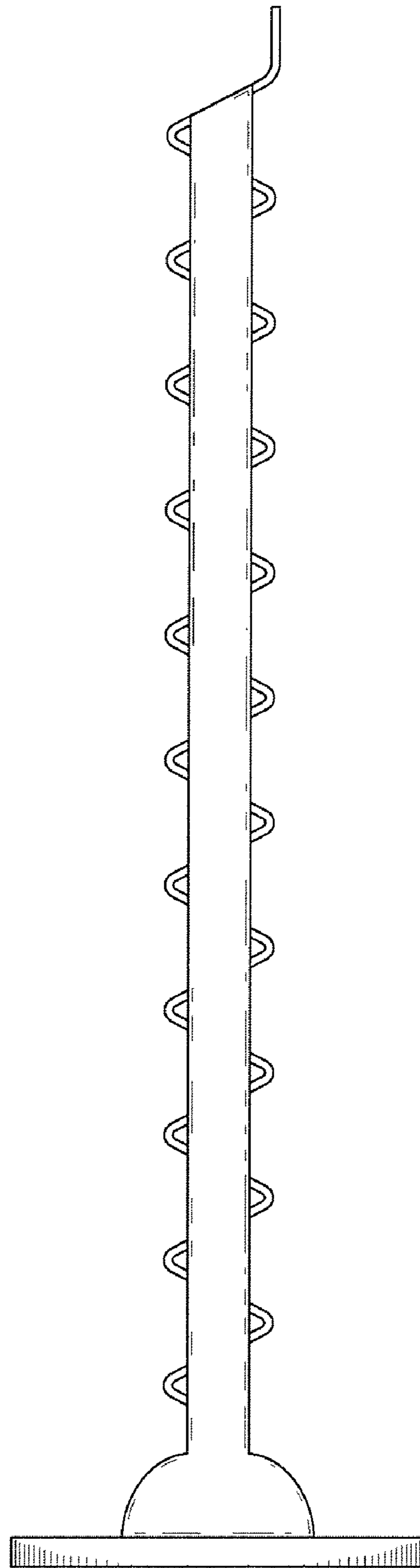
**FIG. 2**



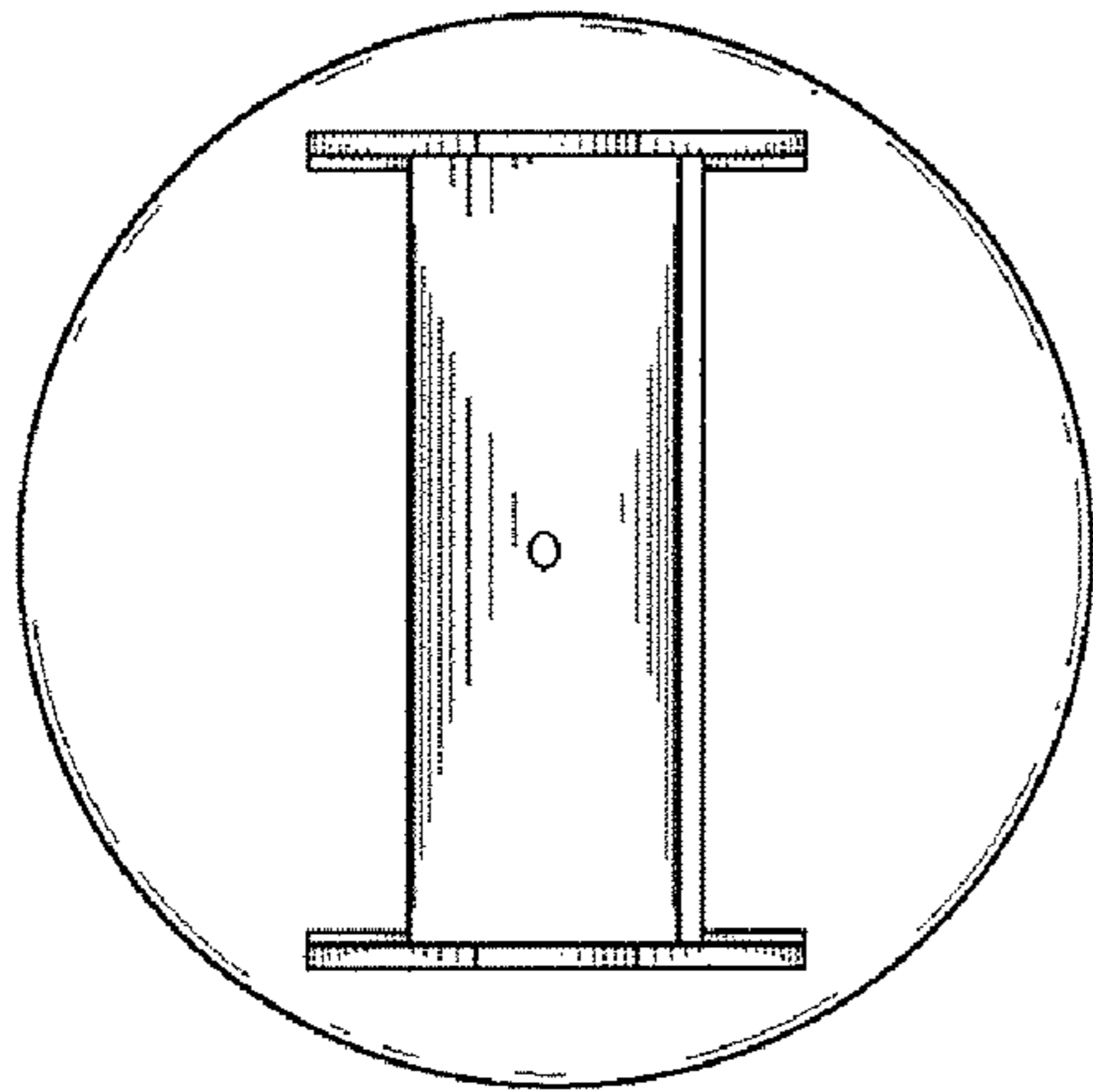
**FIG. 3**



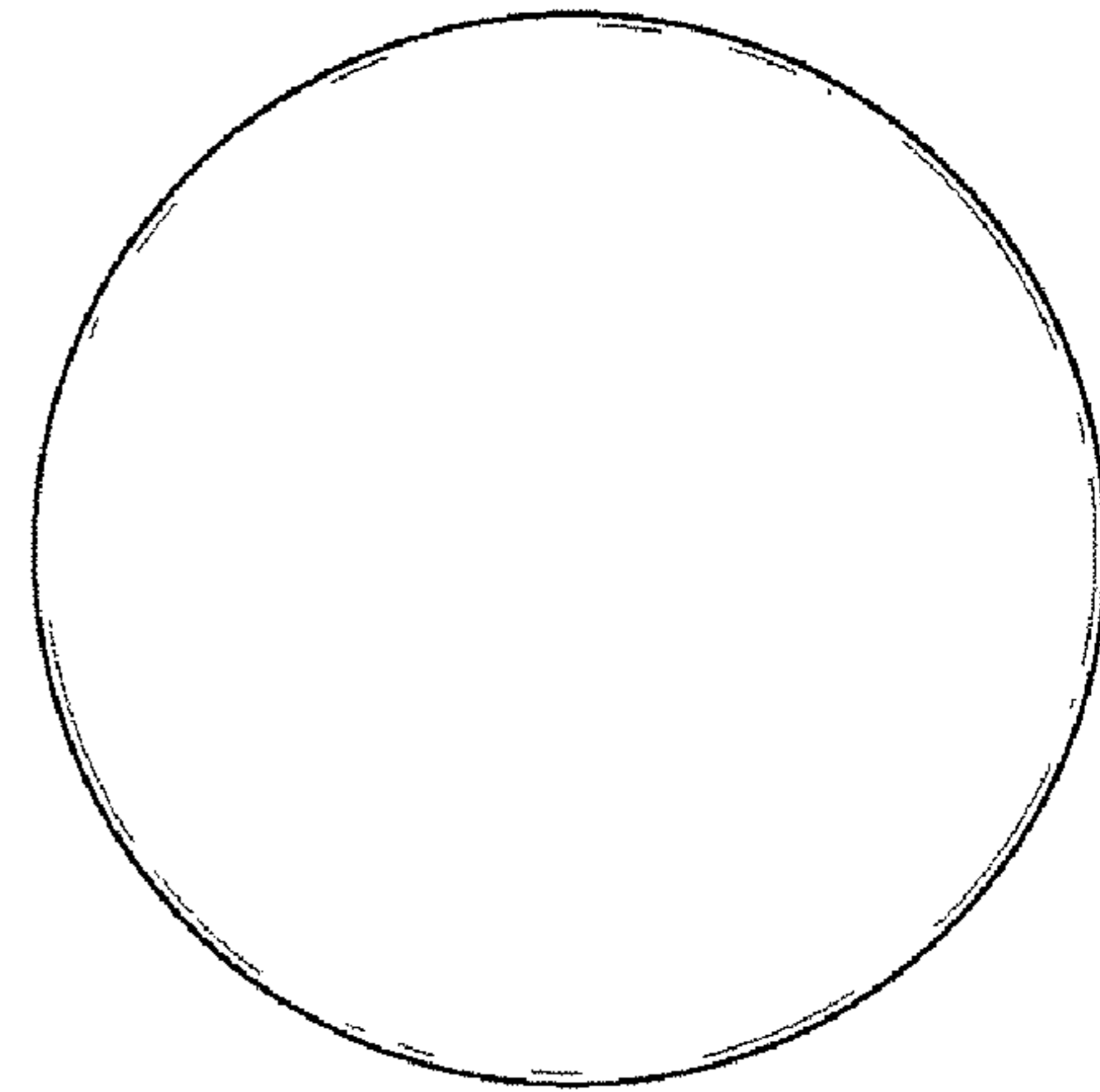
**FIG. 4**



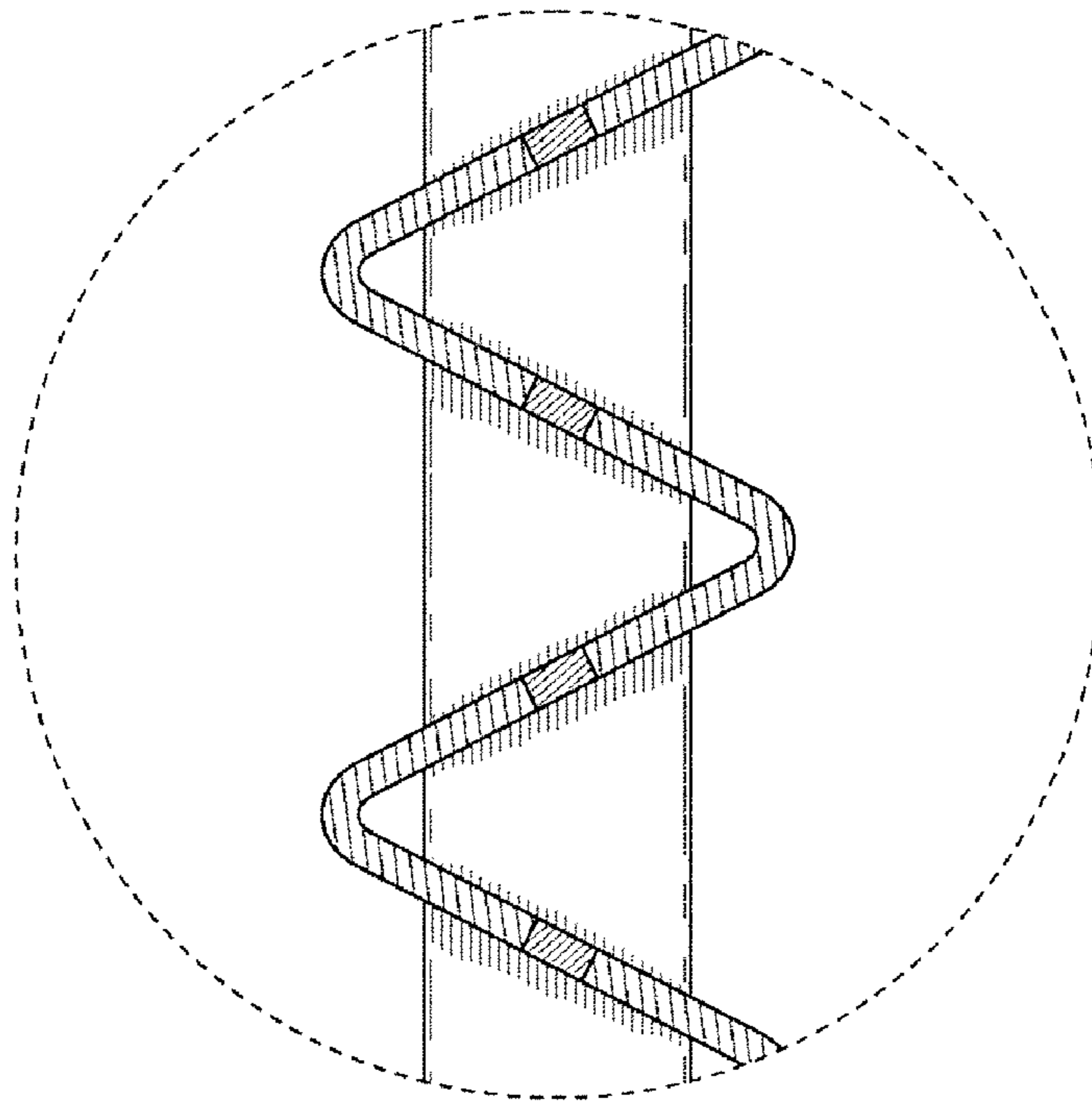
**FIG. 5**



**FIG. 6**



**FIG. 7**



**FIG. 8**