



US00D586581S

(12) **United States Design Patent**
Schmitt

(10) **Patent No.:** **US D586,581 S**

(45) **Date of Patent:** **** Feb. 17, 2009**

(54) **DRESSER WITH MIRROR**

(75) Inventor: **Jack Schmitt**, San Juan Capistrano, CA
(US)

(73) Assignee: **Amini Innovation Corporation**, Pico
Rivera, CA (US)

(**) Term: **14 Years**

(21) Appl. No.: **29/310,146**

(22) Filed: **Jul. 28, 2008**

(51) **LOC (9) Cl.** **06-04**

(52) **U.S. Cl.** **D6/444**

(58) **Field of Classification Search** D6/300,
D6/432, 434, 436-448, 470-472; 312/114,
312/138.1, 204, 224, 227, 237, 257.1, 278,
312/279

See application file for complete search history.

(56) **References Cited**

U.S. PATENT DOCUMENTS

107,479 A	9/1870	Gilman
2,009,225 A	7/1935	Farrar
D109,986 S	6/1938	Hickerson
D198,795 S	8/1964	Hekler
D227,838 S	7/1973	Adkinson
D234,177 S	1/1975	Keller
D241,210 S	8/1976	Elsen
D241,211 S	8/1976	Elsen
D258,331 S	2/1981	Brown
D258,333 S	2/1981	Brown
D265,155 S	6/1982	Bravo
D272,698 S	2/1984	Aulbert et al.

D321,438 S	11/1991	Pauer et al.
D341,502 S	11/1993	Ball
D343,744 S	2/1994	Keller
D346,915 S	5/1994	Roser, Jr.
D350,656 S	9/1994	Ferguson
D371,257 S	7/1996	Paus
D373,033 S	8/1996	Rosebrock
D374,569 S *	10/1996	Paus D6/444
D374,783 S	10/1996	Keller et al.

(Continued)

OTHER PUBLICATIONS

Ethan Allen Circular, Legacy Collection Dresser with Mirror
(reflected in Mirror) p. 5, 1996.

(Continued)

Primary Examiner—Mimosa De
(74) *Attorney, Agent, or Firm*—Cislo & Thomas, LLP

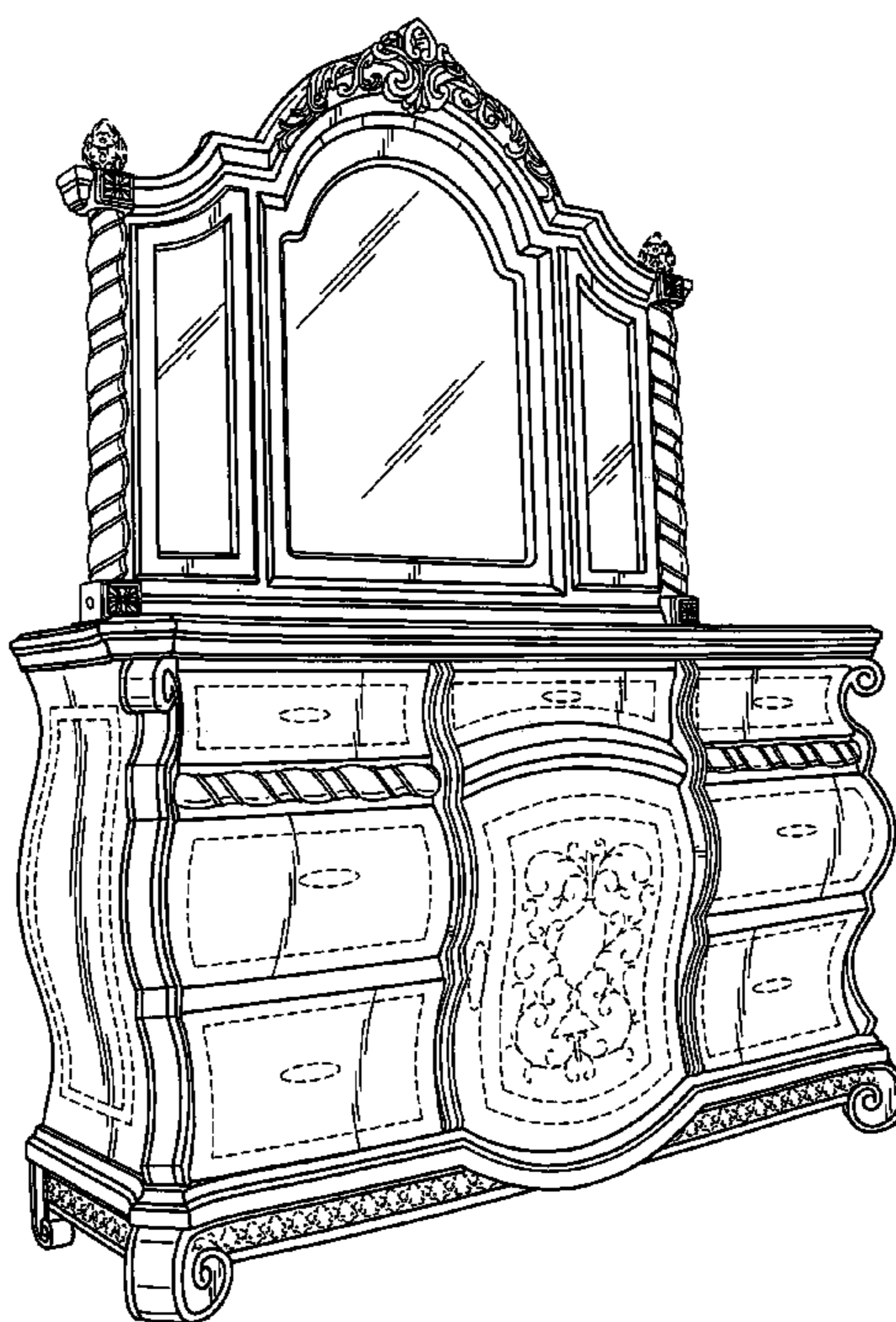
(57) **CLAIM**

I claim the ornamental design for a dresser with mirror, as
shown and described.

DESCRIPTION

FIG. 1 is a perspective view of my dresser with mirror;
FIG. 2 is a front view thereof;
FIG. 3 is a right side view thereof;
FIG. 4 is a left side view thereof; and,
FIG. 5 is a top view of my dresser with mirror.
The broken lines are for environmental purposes only and
form no part of the claimed design.

1 Claim, 4 Drawing Sheets



US D586,581 S

U.S. PATENT DOCUMENTS

D383,330 S 9/1997 Lowery
 D384,518 S 10/1997 Bergelin
 D387,568 S 12/1997 Walters, III et al.
 D400,733 S 11/1998 O'Hare
 D406,202 S 3/1999 Zaidman
 D411,050 S 6/1999 Keller et al.
 D412,413 S 8/1999 Keller et al.
 D418,328 S 1/2000 O'Hare
 D419,796 S 2/2000 O'Hare
 D424,831 S 5/2000 O'Hare
 D425,329 S 5/2000 O'Hare
 D437,150 S * 2/2001 Cain D6/446
 D437,503 S 2/2001 Ungaro
 D443,438 S 6/2001 O'Hare et al.
 D447,887 S 9/2001 O'Hare et al.
 D448,205 S 9/2001 O'Hare et al.
 D450,203 S 11/2001 Vaaler
 D451,700 S 12/2001 Vaaler
 D454,729 S 3/2002 Vaaler
 D459,111 S 6/2002 Tobin, Jr.
 D467,095 S 12/2002 Vaaler
 D468,930 S 1/2003 Berry, Jr. et al.
 D469,626 S 2/2003 Vaaler
 D469,631 S 2/2003 Vaaler
 D469,982 S 2/2003 Warren et al.
 D470,686 S 2/2003 O'Hare
 D472,733 S 4/2003 McDaniel et al.
 D473,400 S 4/2003 O'Hare
 D474,054 S 5/2003 Warren et al.
 D474,922 S 5/2003 Vaaler
 D475,868 S 6/2003 Vaaler
 D476,505 S 7/2003 Lenger
 D477,725 S 7/2003 McDaniel et al.
 D480,236 S 10/2003 Schmitt
 D480,896 S 10/2003 Paus
 D481,555 S 11/2003 Schmitt
 D482,901 S 12/2003 Stanton
 D483,962 S 12/2003 Stanton
 D484,319 S 12/2003 Domack
 D485,079 S 1/2004 Warren et al.
 D487,201 S 3/2004 Schmitt
 D487,548 S 3/2004 Schmitt
 D488,638 S 4/2004 Stanton
 D488,936 S 4/2004 Schmitt
 D490,626 S * 6/2004 Risdon et al. D6/441
 D508,795 S 8/2005 Mirchand
 D519,286 S * 4/2006 Domack et al. D6/300

D524,060 S * 7/2006 Schmitt D6/300
 D526,130 S * 8/2006 Mohundro D6/300
 D526,142 S 8/2006 Schmitt
 D526,510 S 8/2006 Schmitt
 D526,793 S * 8/2006 Schmitt D6/300
 D527,203 S 8/2006 Schmitt
 D527,206 S * 8/2006 Domack et al. D6/470
 D529,310 S 10/2006 Schmitt
 D530,538 S 10/2006 Schmitt
 D530,539 S * 10/2006 Schmitt D6/441
 D532,214 S 11/2006 Schmitt
 D532,625 S 11/2006 Schmitt
 D555,934 S * 11/2007 Thompson D6/444
 D564,783 S * 3/2008 Schmitt D6/441
 D564,784 S * 3/2008 Schmitt D6/441
 D568,633 S * 5/2008 Domack et al. D6/441

OTHER PUBLICATIONS

Thomasville Catalog, Replicas 1662 Triple Dresser and Mirror, p. 2, 1983.
 America's Oak Furniture, Schiffer, 1988, Low Chest with Mirror, p. 90.
 Golden Oak Furniture, Warren, 1992, Dresser with Mirror, p. 140.
 Furniture Today, Genoa Collection Dresser with Mirror, p. 14, Oct. 11, 1999.
 Thomasville, Palais Jardin Mirror Dresser and Door Chest, p. 12, 2002.
 Furniture Today, Source Mktg. Group Mirror Dresser and Sumter Cabinet, p. 192, Oct. 14, 2002.
 Furniture Today, Union City Imports China Hutch, p. 158, Oct. 19, 1998.
 Furniture Today, AICO China Hutch, p. 15, Oct. 16, 2000.
 Furniture Today, Broyhill China Hutch, p. 11, Apr. 16, 2001.
 Furniture Today, Marge Carson wall unit, p. 126, Oct. 11, 1999.
 Furniture Today, Pulaski Armoire, p. 33, Apr. 15, 2002.
 Amini Innovation Corp. Monte Carlo Collection, #53000 Series, 2001, 2 pages.
 Amini Innovation Corp. La Francaise Collection, #50000 Series, Sep. 11, 2002, 5 pages.
 Amini Innovation Corp. Royal Oak Collection #31000 Series, Sep. 11, 2002, 1 page.
 Amini Innovation Corp. Torino Collection, #56000 Series, Apr. 18, 2002, 1 page.
 Amini Innovation Corp. Paradisio Collection #52000 Series, 2003, 1 page.
 Amini Innovation Corp. Trevi Collection, Sep. 20, 2007, 2 pages.

* cited by examiner

FIG. 1

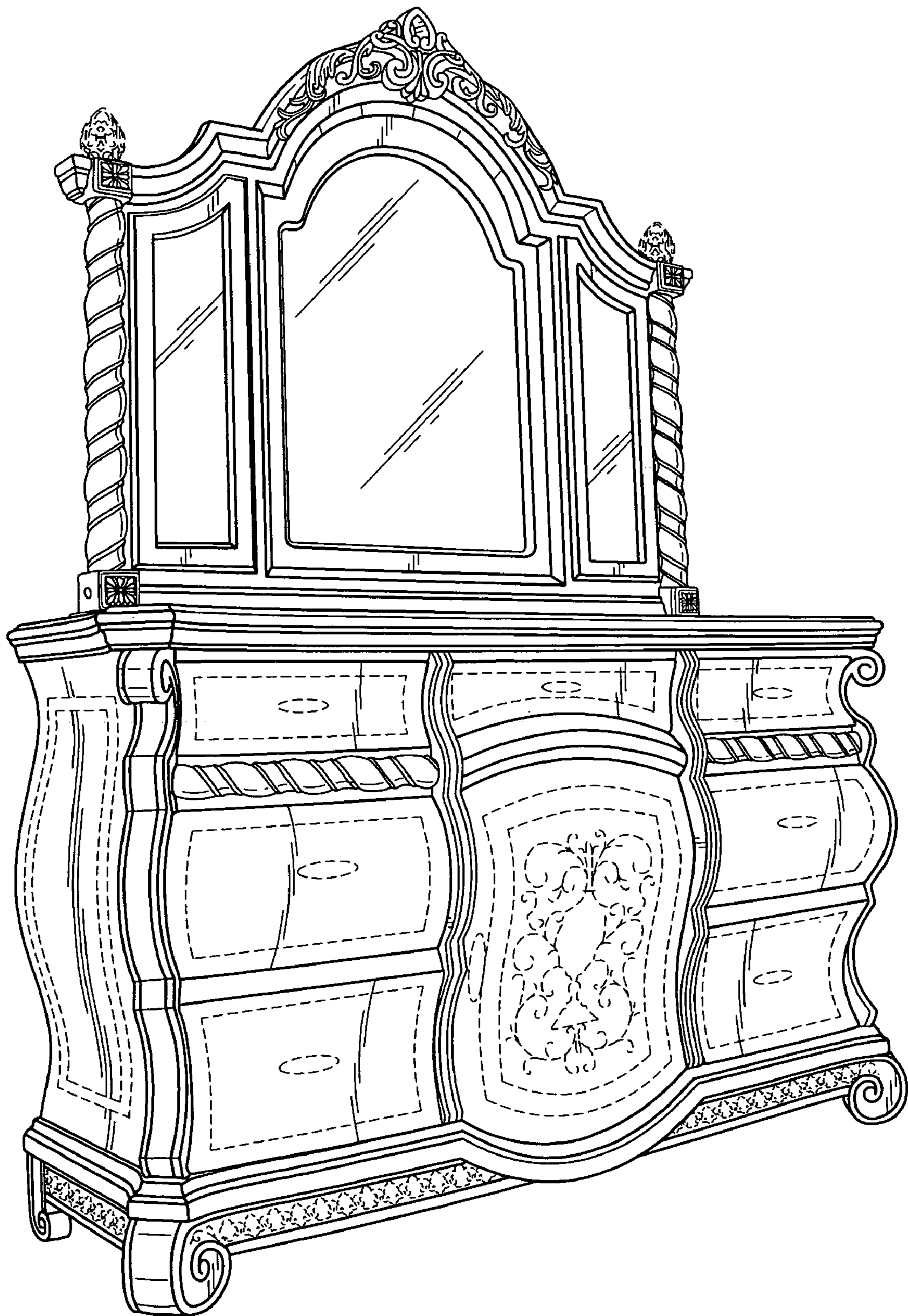


FIG. 2

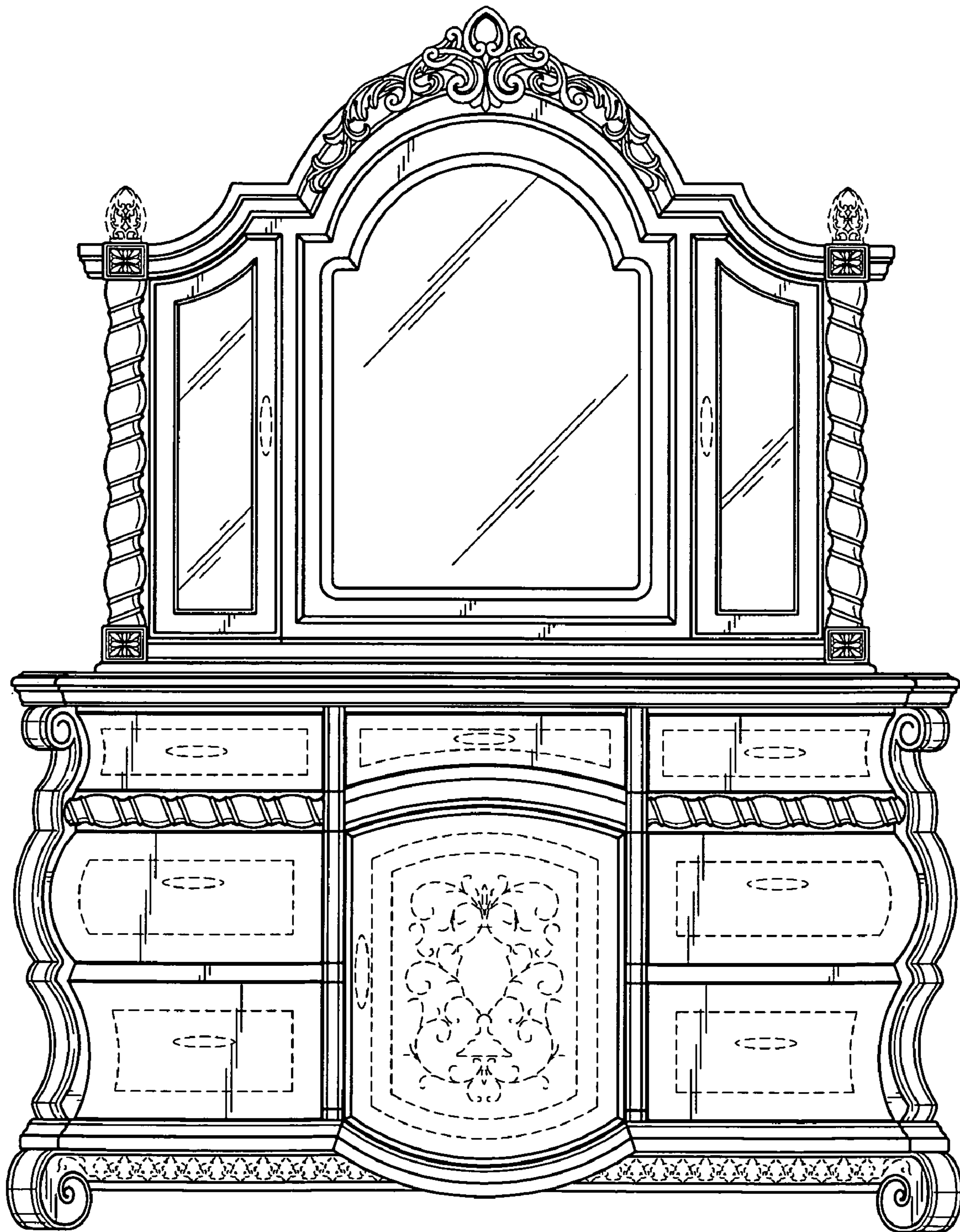


FIG. 3

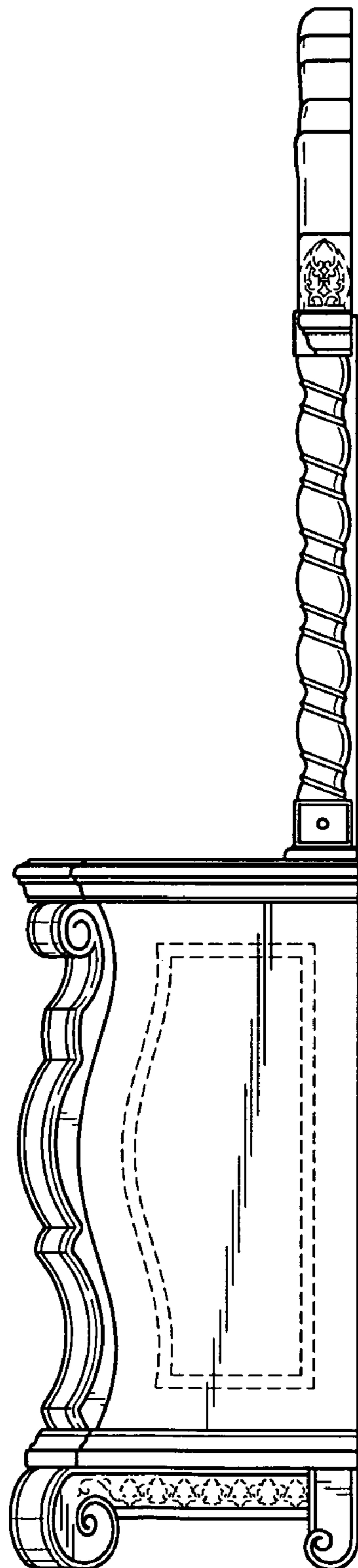


FIG. 4

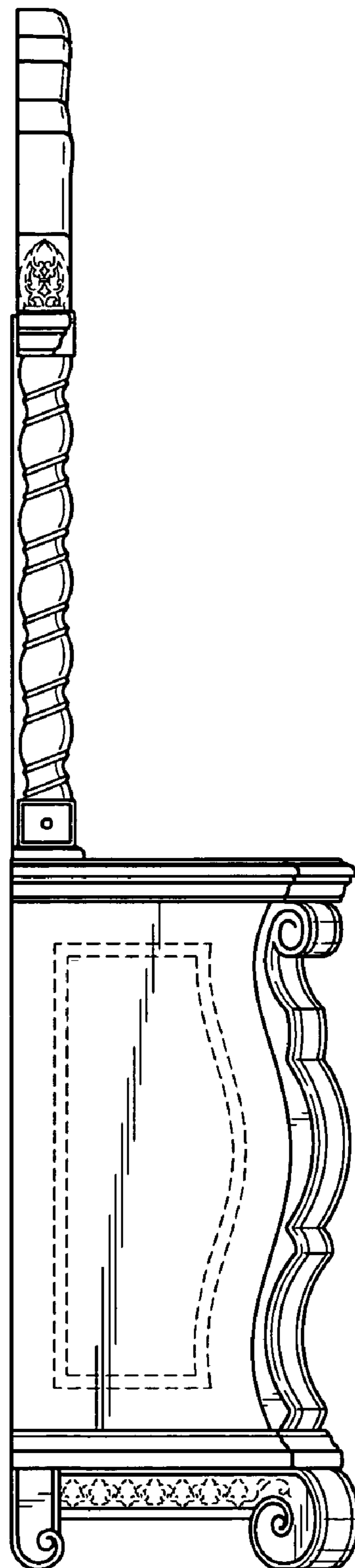


FIG. 5

