



US00D586580S

(12) **United States Design Patent**  
**Lim**

(10) **Patent No.:** **US D586,580 S**

(45) **Date of Patent:** **\*\* Feb. 17, 2009**

(54) **ARMOIRE**

(76) Inventor: **Kok Jit Lim**, 10 Pilot Cir., Greensboro,  
NC (US) 27407

(\*\*) Term: **14 Years**

(21) Appl. No.: **29/310,551**

(22) Filed: **Aug. 26, 2008**

**Related U.S. Application Data**

(62) Division of application No. 29/273,649, filed on Mar.  
9, 2007, now Pat. No. Des. 578,319.

(51) **LOC (9) Cl.** ..... **06-04**

(52) **U.S. Cl.** ..... **D6/441; D6/436**

(58) **Field of Classification Search** ..... D6/411,  
D6/474, 477-479, 436, 437, 441, 470, 472;  
312/204, 324, 326, 321

See application file for complete search history.

(56) **References Cited**

**U.S. PATENT DOCUMENTS**

D141,016 S *	4/1945	Stanitz	.....	D6/436
D150,053 S *	6/1948	Brunmark	.....	D6/436
D429,089 S *	8/2000	Swensson et al.	.....	D6/437
D448,949 S *	10/2001	O'Hare et al.	.....	D6/438
D457,350 S *	5/2002	Jeup	.....	D6/441
D472,070 S *	3/2003	de Carolis	.....	D6/441
D480,234 S *	10/2003	O'Hare	.....	D6/441
D488,639 S *	4/2004	Domack et al.	.....	D6/441
D494,385 S *	8/2004	Mitchell	.....	D6/470

D508,622 S *	8/2005	O'Hare	.....	D6/441
D518,661 S *	4/2006	Mendini	.....	D6/436
D519,748 S *	5/2006	Katz et al.	.....	D6/438
D527,204 S *	8/2006	O'Hare	.....	D6/441
D543,219 S *	5/2007	Heath et al.	.....	D15/89
D552,301 S *	10/2007	Domack et al.	.....	D6/422
D552,878 S *	10/2007	O'Hare et al.	.....	D6/441
D559,590 S *	1/2008	Sheppard	.....	D6/481
D564,804 S *	3/2008	Thompson	.....	D6/495

\* cited by examiner

*Primary Examiner*—Elizabeth A Albert  
*Assistant Examiner*—Kelley A Donnelly

(57) **CLAIM**

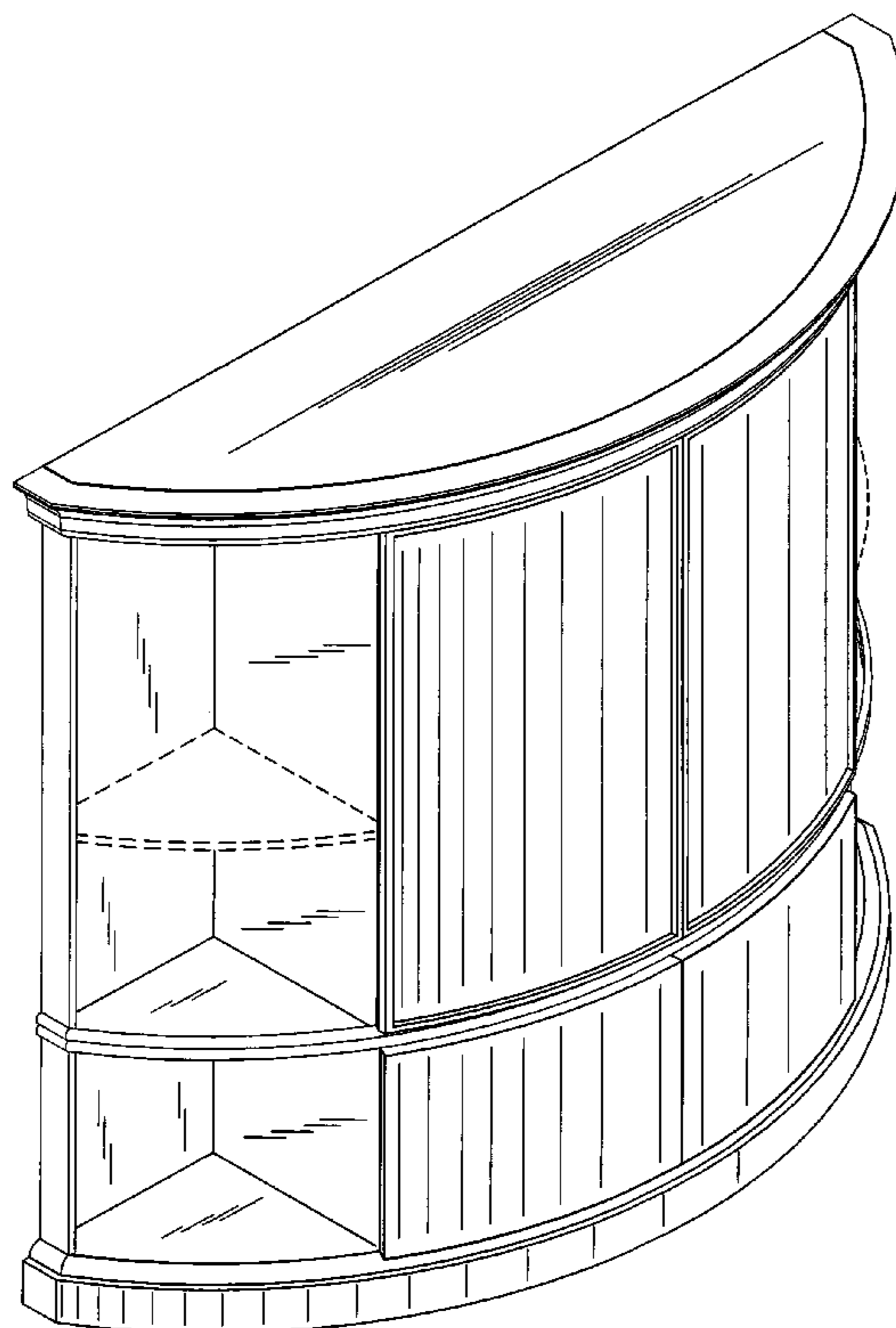
The ornamental design for an armoire, as shown and described.

**DESCRIPTION**

FIG. 1 is a top, front, left side perspective view of my design;  
FIG. 2 is a top plan view thereof;  
FIG. 3 is a bottom plan view thereof;  
FIG. 4 is a right side elevational view thereof, the left side  
elevational view being a mirror image thereof;  
FIG. 5 is a rear elevational view thereof; and,  
FIG. 6 is a front elevational view thereof.

The broken lines of a shelf are for environmental purposes  
only and form no part of the claimed design.

**1 Claim, 5 Drawing Sheets**



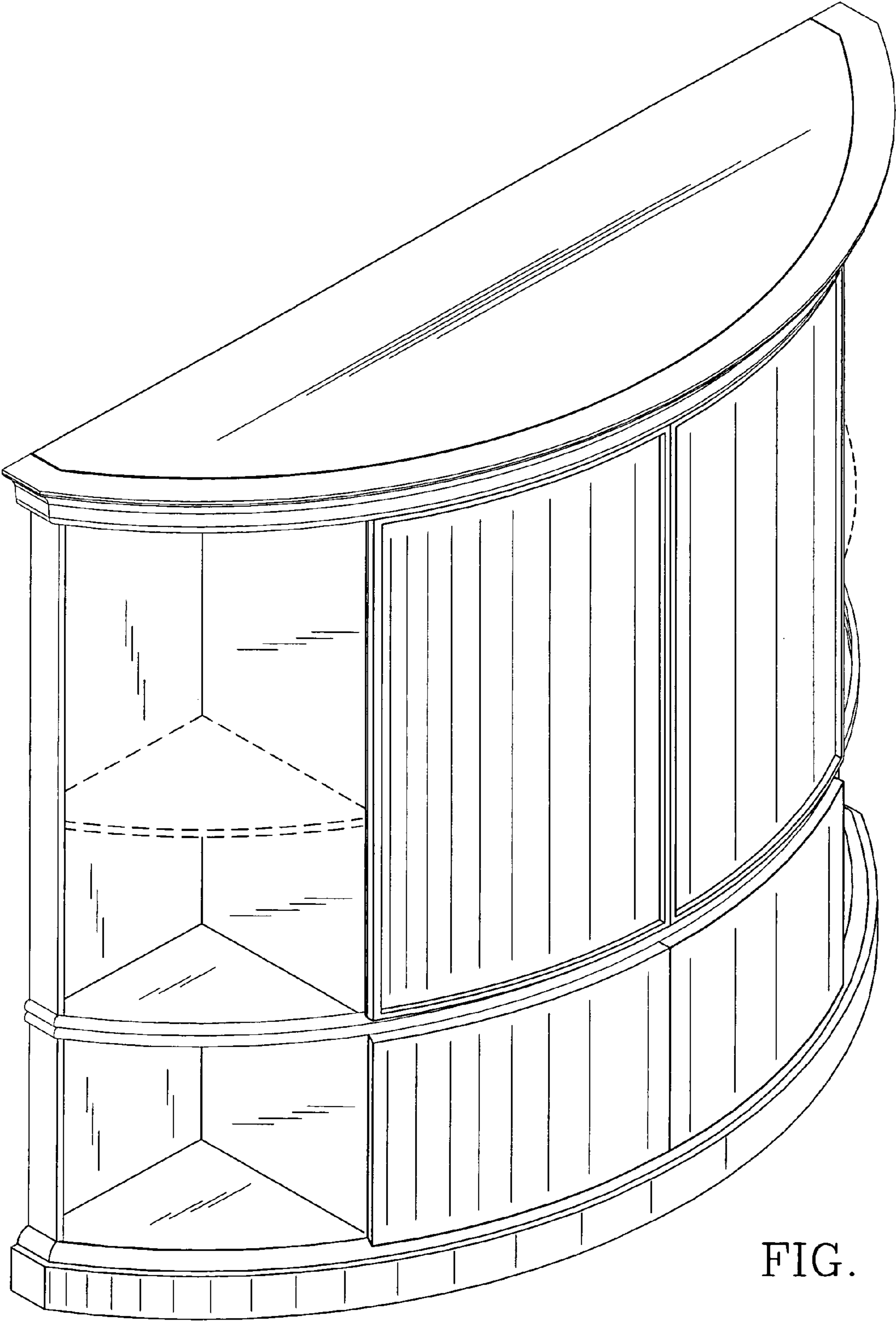


FIG. 1

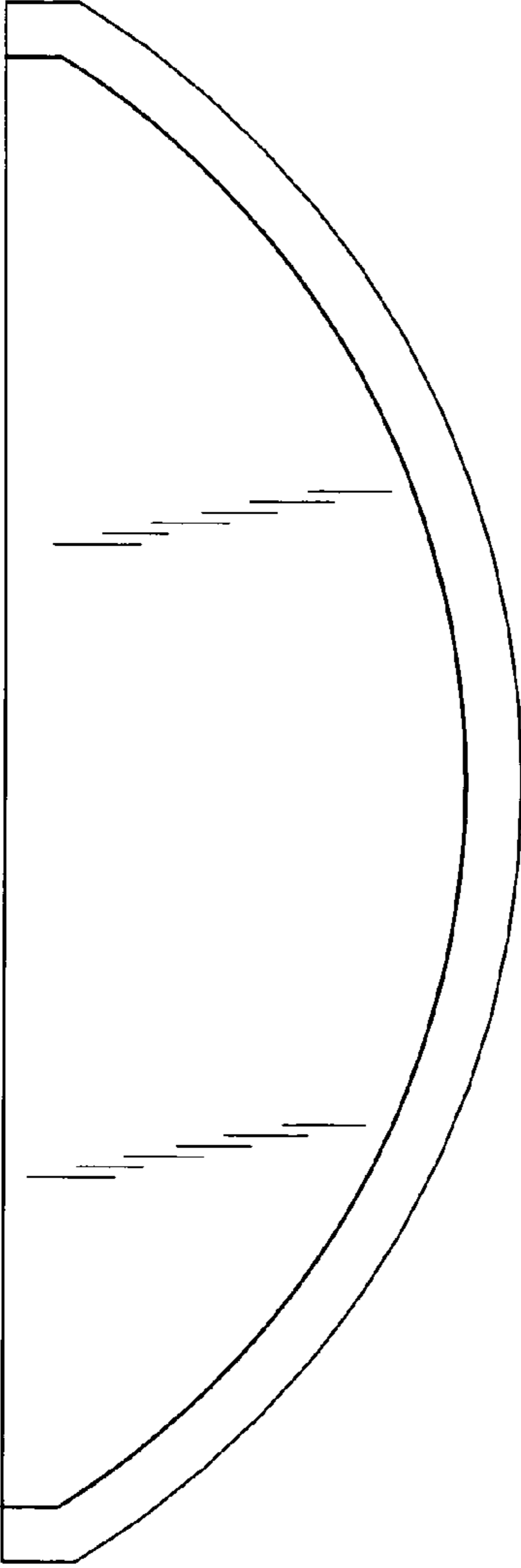


FIG. 2

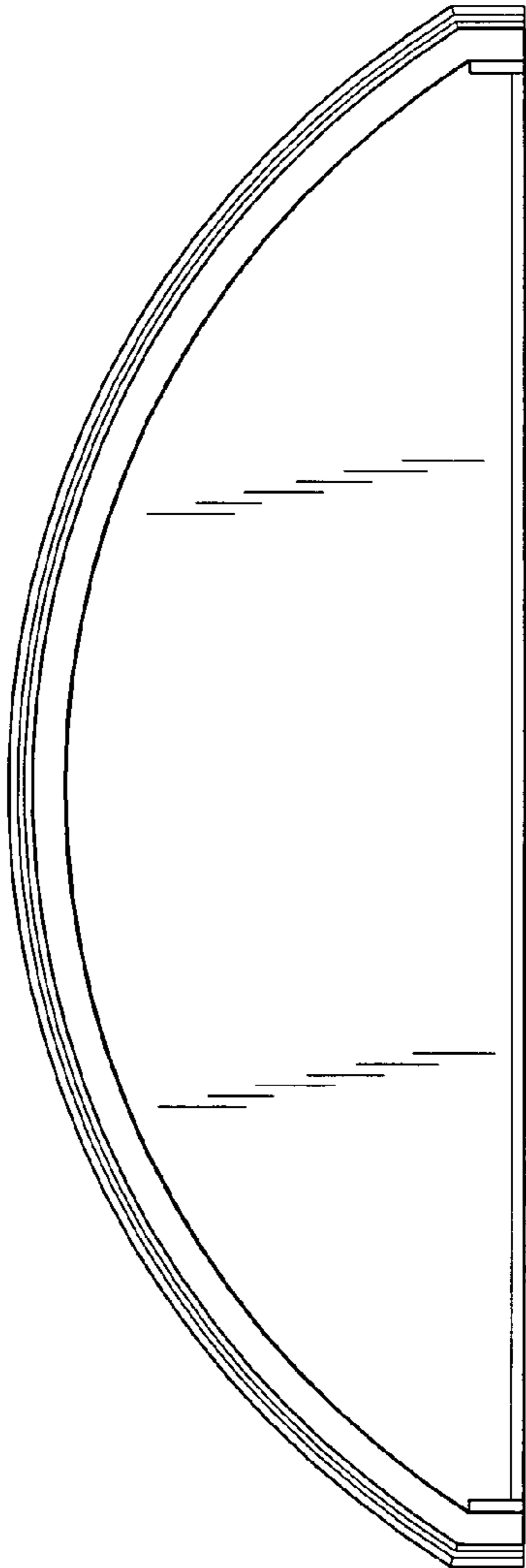


FIG. 3

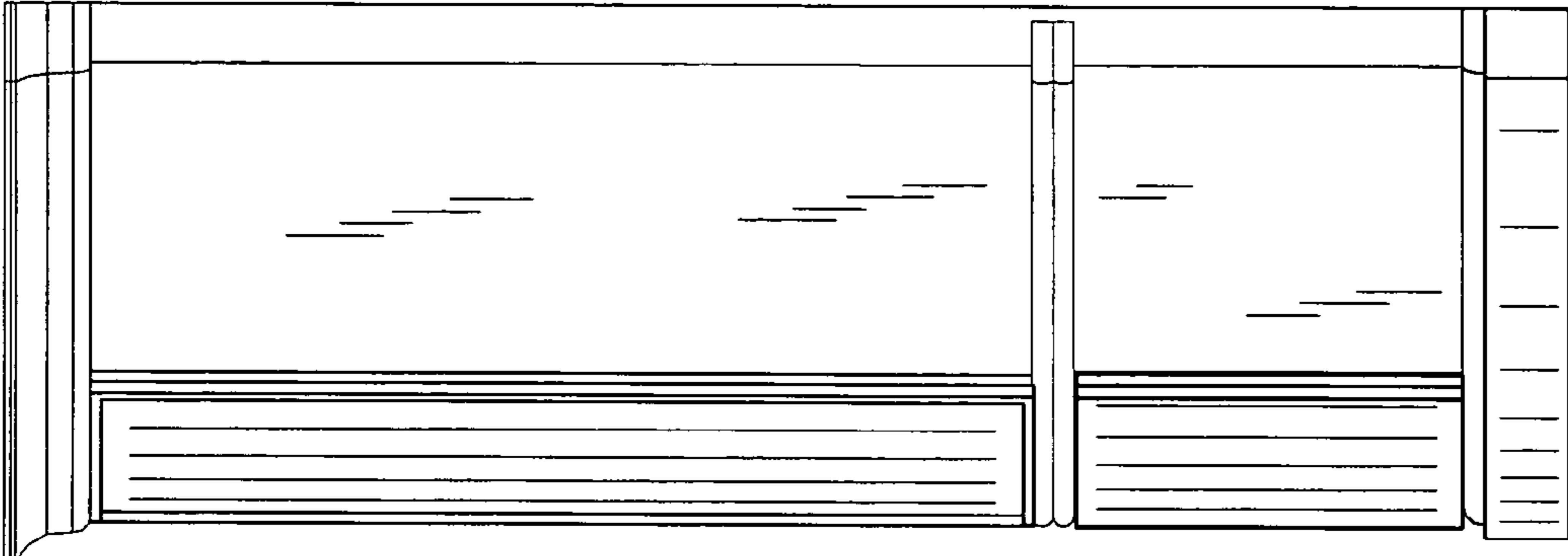


FIG. 4

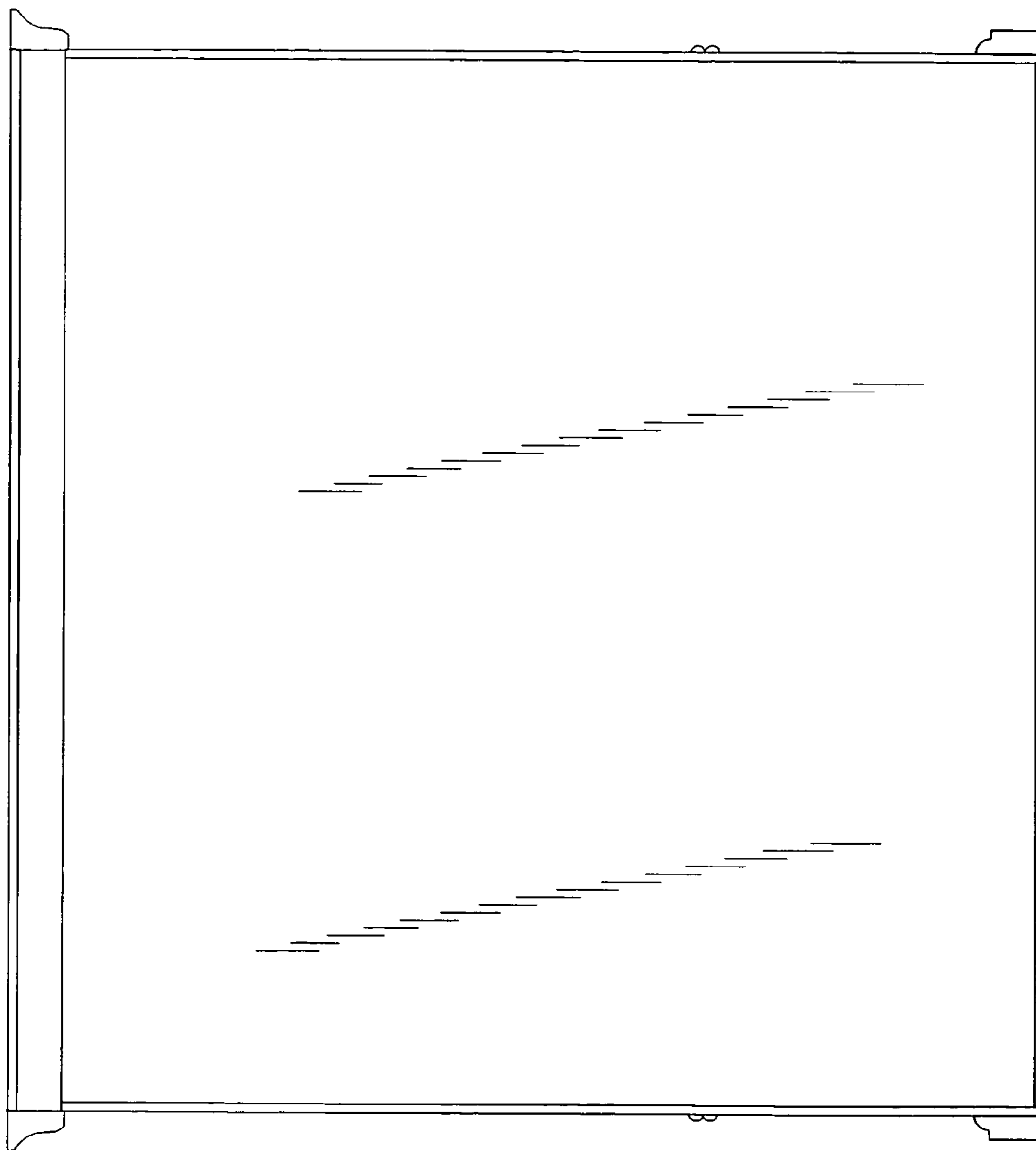


FIG. 5

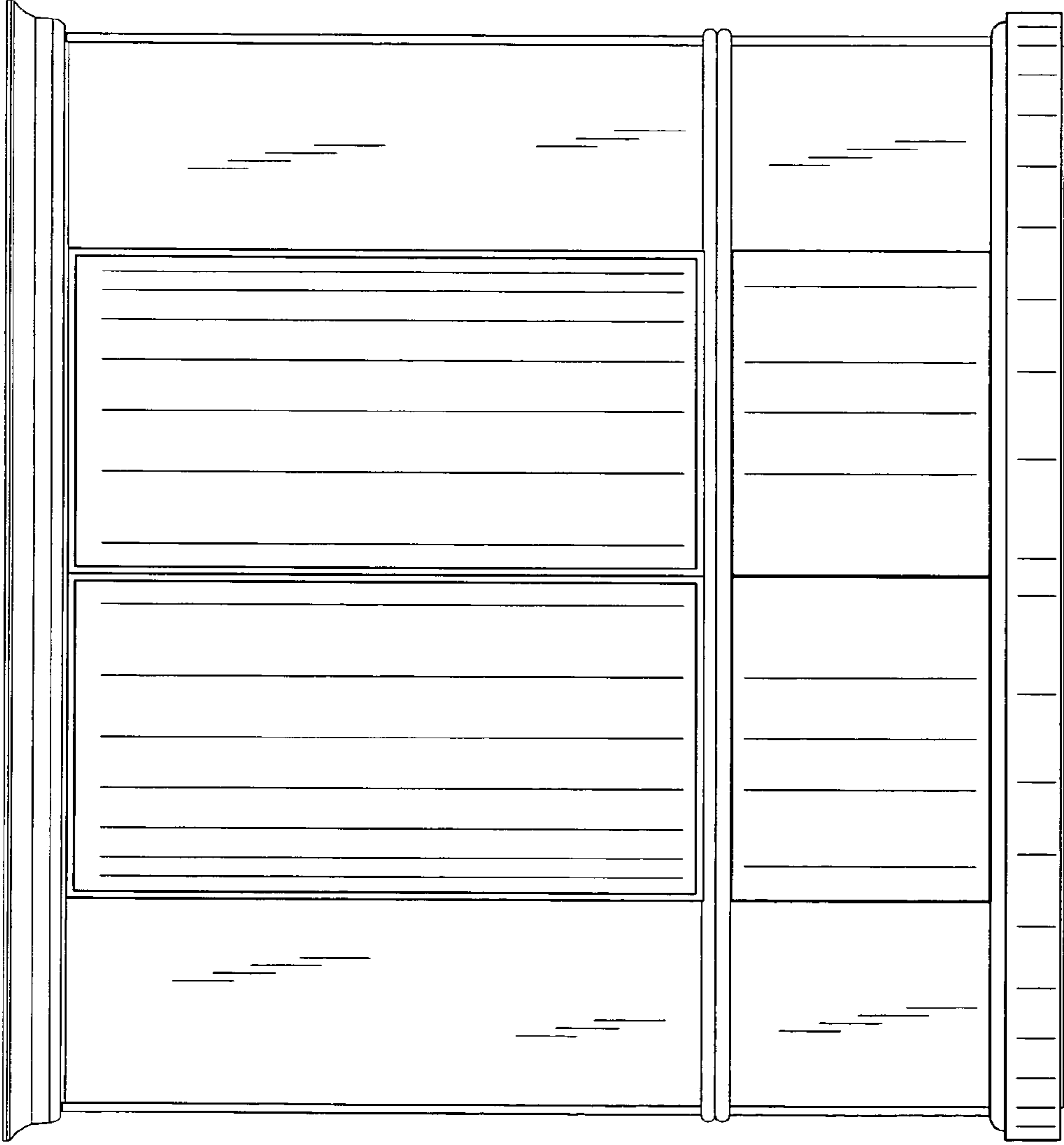


FIG. 6