



US00D586579S

(12) **United States Design Patent**  
**Hunayama et al.**

(10) **Patent No.:** **US D586,579 S**

(45) **Date of Patent:** **\*\* Feb. 17, 2009**

(54) **CASH REGISTER**

(75) Inventors: **Toshikatsu Hunayama**, Kawasaki (JP);  
**Taku Ando**, Tokyo (JP); **Isao Ariga**,  
Tachikawa (JP)

(73) Assignee: **Fujitsu Limited**, Kawasaki (JP)

(\*\*) Term: **14 Years**

(21) Appl. No.: **29/270,837**

(22) Filed: **Jan. 5, 2007**

(30) **Foreign Application Priority Data**

Sep. 11, 2006 (JP) ..... 2006-024155

(51) **LOC (9) Cl.** ..... **18-01**

(52) **U.S. Cl.** ..... **D6/402; D18/4.6**

(58) **Field of Classification Search** ..... D14/336,  
D14/371, 373-376, 385-387, 399; D18/3.1-3.3,  
D18/4.1-4.6, 6-8, 11, 12, 12.1-12.3, 19;  
D21/324, 329, 332, 333; D99/28, 34-36,  
D99/43; 235/1 E, 2, 7 R, 12, 22, 33, 51,  
235/52; 705/12, 15-18, 43; D6/402

See application file for complete search history.

(56) **References Cited**

**U.S. PATENT DOCUMENTS**

D347,930 S \* 6/1994 Hunter ..... D99/35

D360,734 S \* 7/1995 Hall ..... D99/28

D437,468 S \* 2/2001 Fukutake et al. .... D99/28  
6,474,547 B1 \* 11/2002 Suzuki ..... 705/43  
6,543,683 B2 \* 4/2003 Hoffman ..... 705/16  
D481,515 S \* 10/2003 Magee et al. .... D99/28  
D486,827 S \* 2/2004 Detallante ..... D18/4.5  
6,958,015 B2 \* 10/2005 Luciano et al. .... 463/46  
D532,579 S \* 11/2006 Kang et al. .... D99/28  
D542,834 S \* 5/2007 Ando et al. .... D18/4.6  
2003/0115103 A1 \* 6/2003 Mason ..... 705/16  
2007/0071302 A1 \* 3/2007 Jones et al. .... 705/43

\* cited by examiner

*Primary Examiner*—Caron Veynar

*Assistant Examiner*—Garth Rademaker

(74) *Attorney, Agent, or Firm*—Staas & Halsey LLP

(57) **CLAIM**

The ornamental design for a cash register, as shown.

**DESCRIPTION**

FIG. 1 is a perspective view of top, front and right side of a cash register showing our new design;

FIG. 2 is a front view thereof;

FIG. 3 is a right side view thereof;

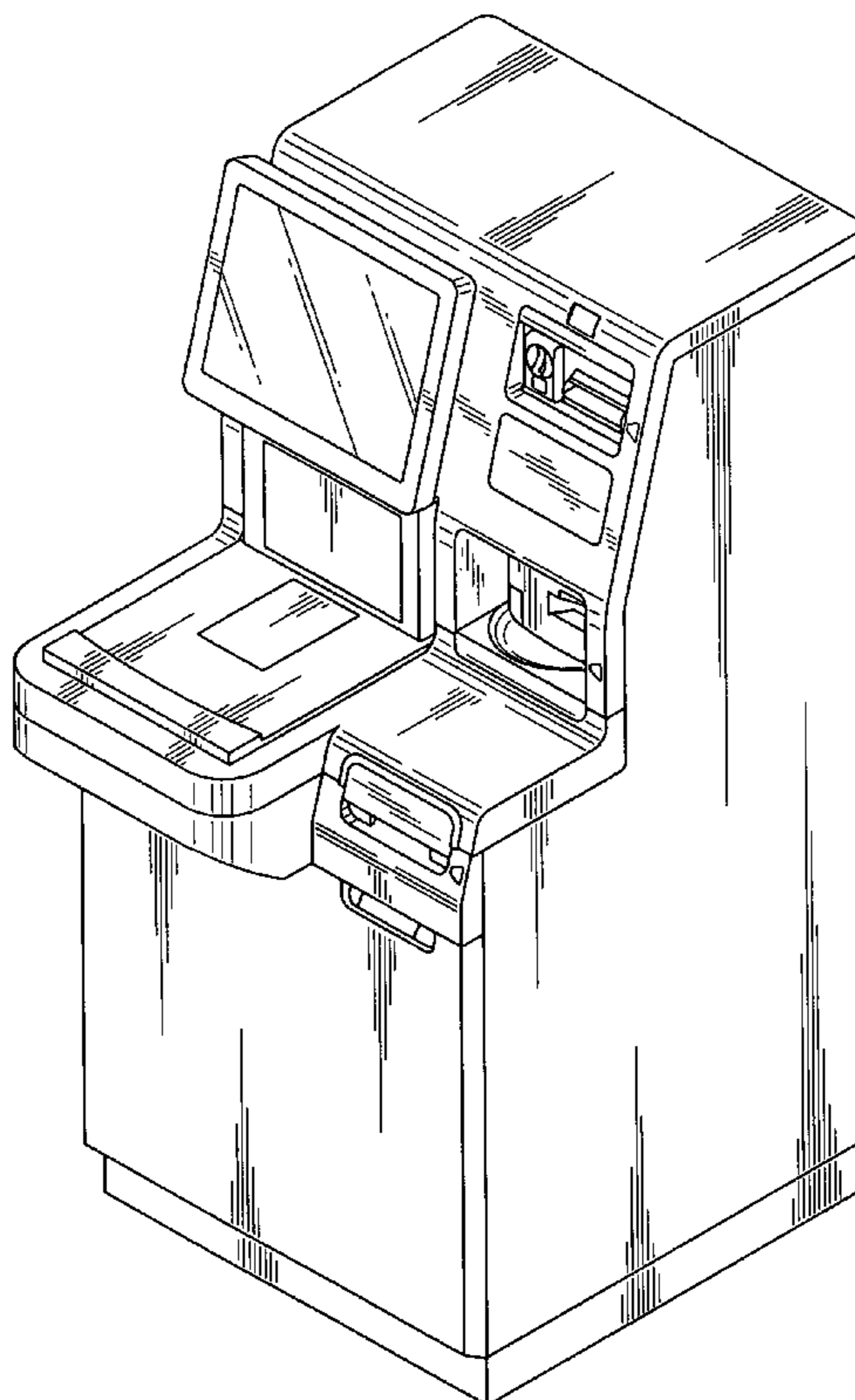
FIG. 4 is a left side view thereof;

FIG. 5 is a top plan view thereof;

FIG. 6 is a bottom view thereof; and,

FIG. 7 is a rear view.

**1 Claim, 7 Drawing Sheets**



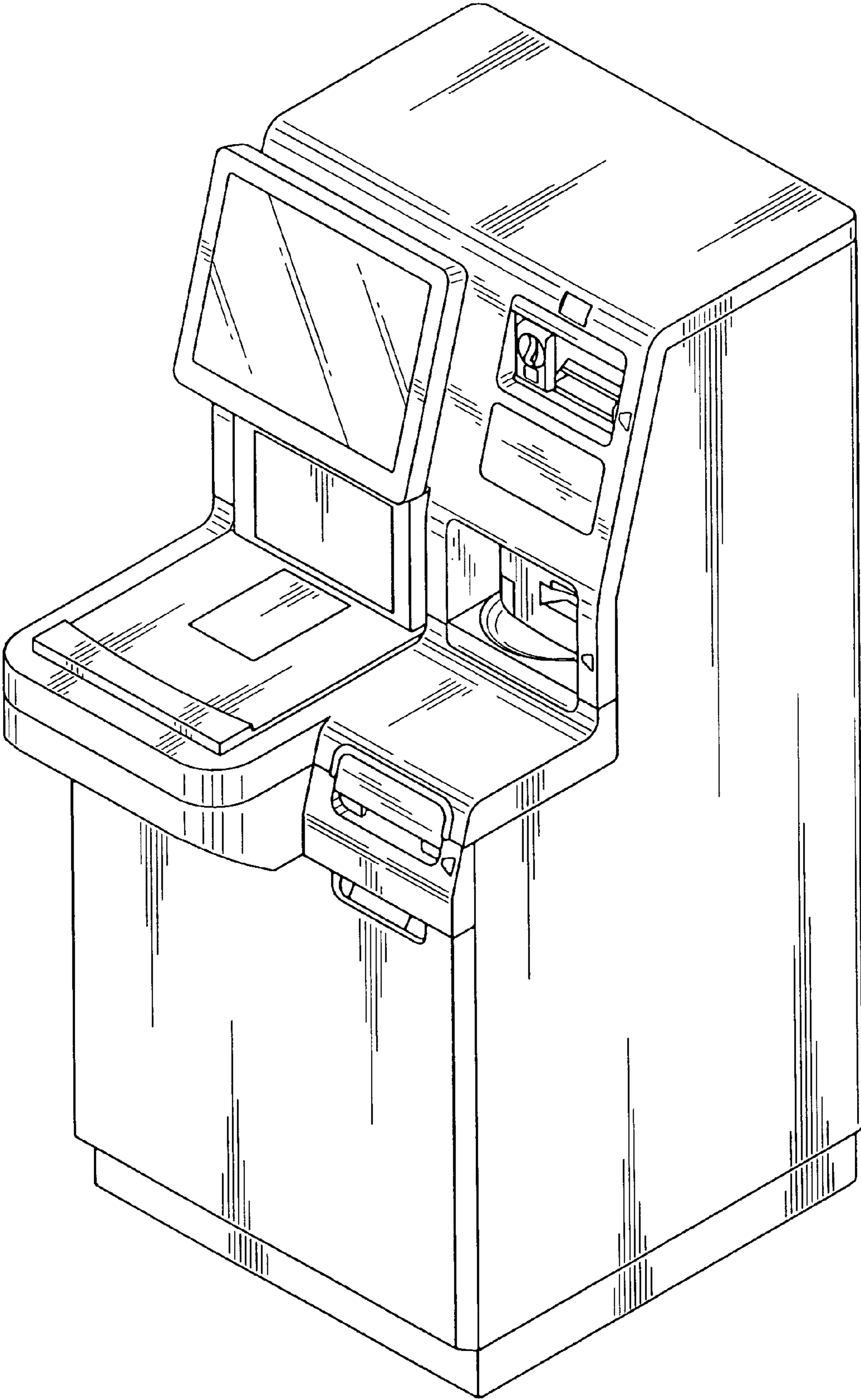


FIG. 1

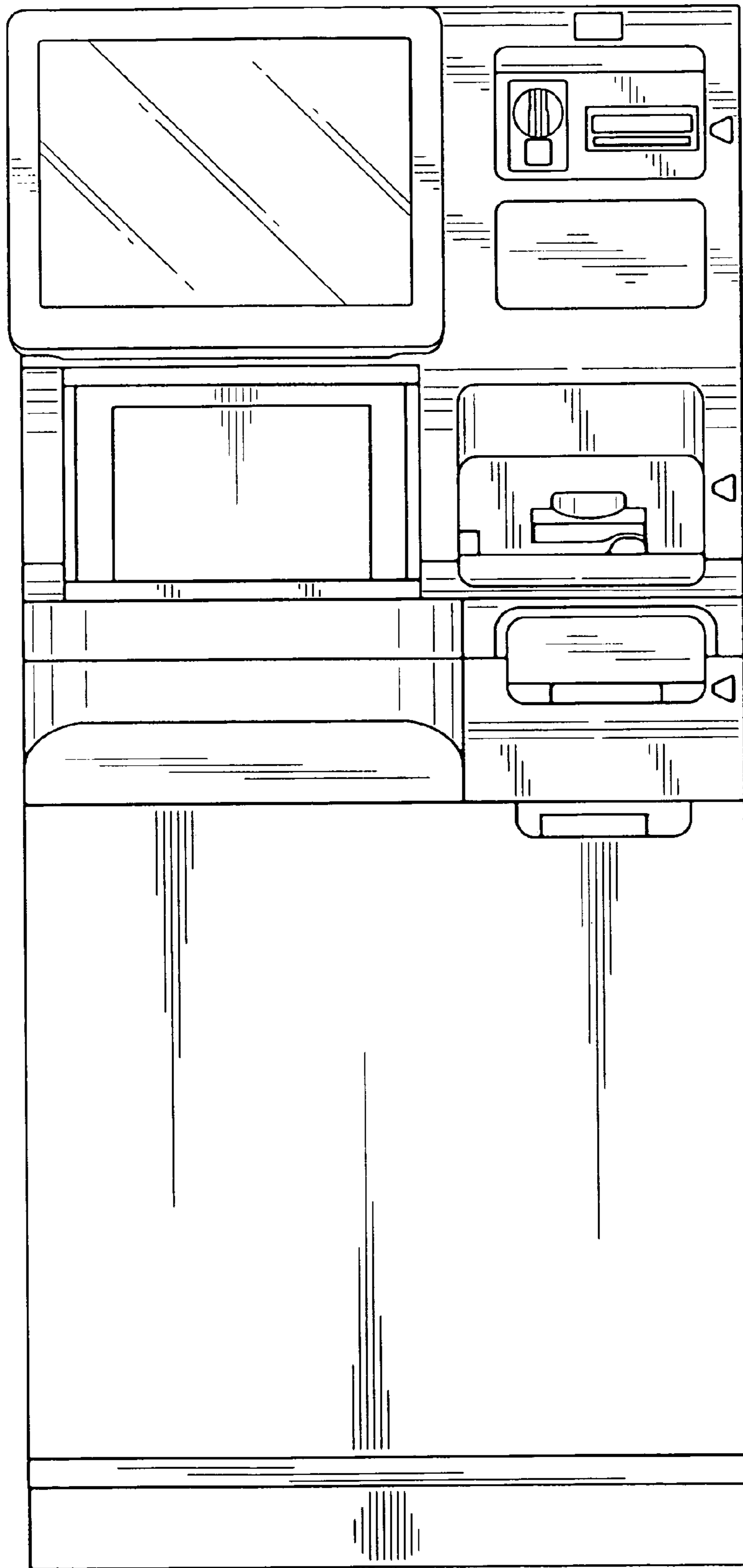


FIG. 2

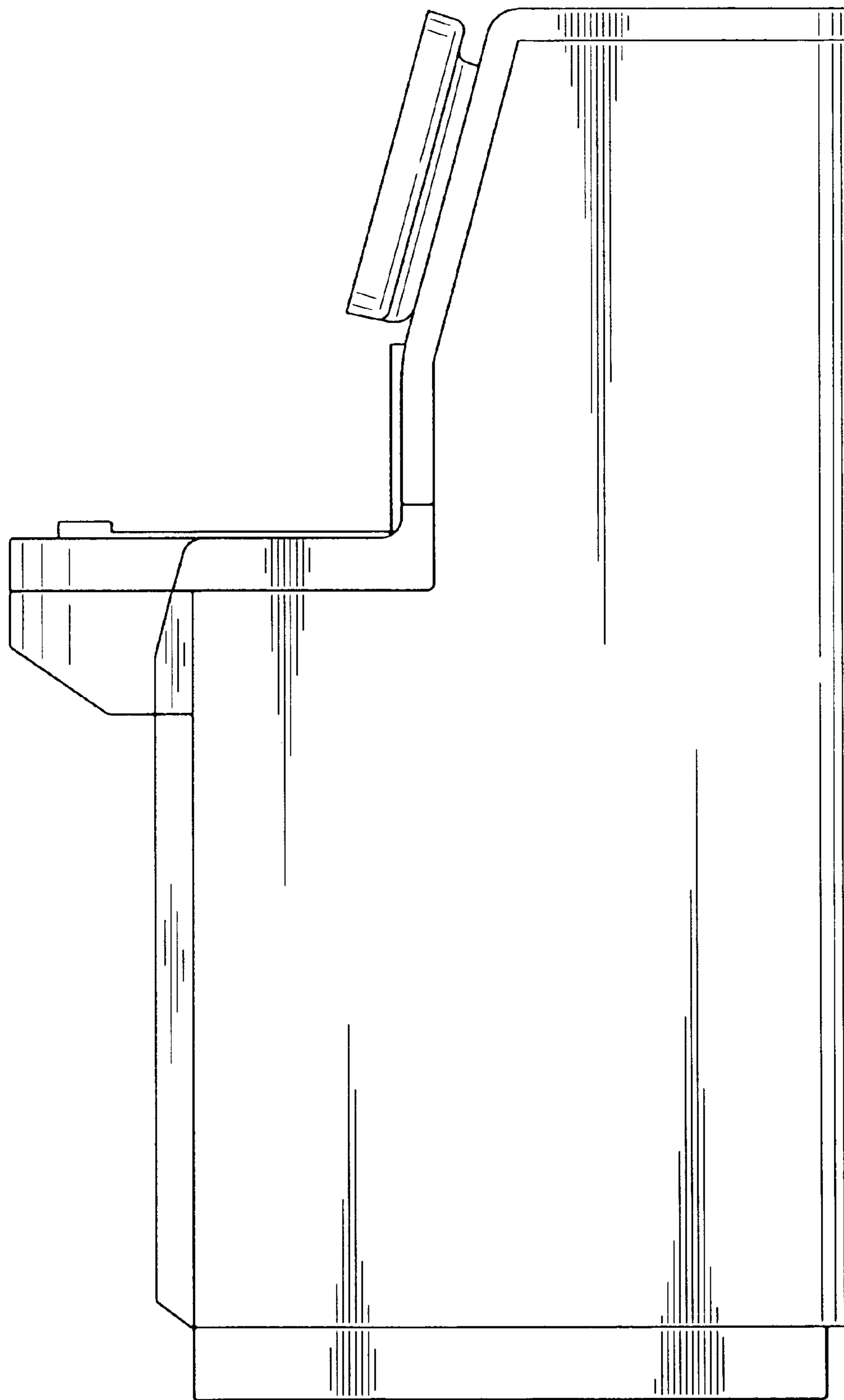


FIG. 3

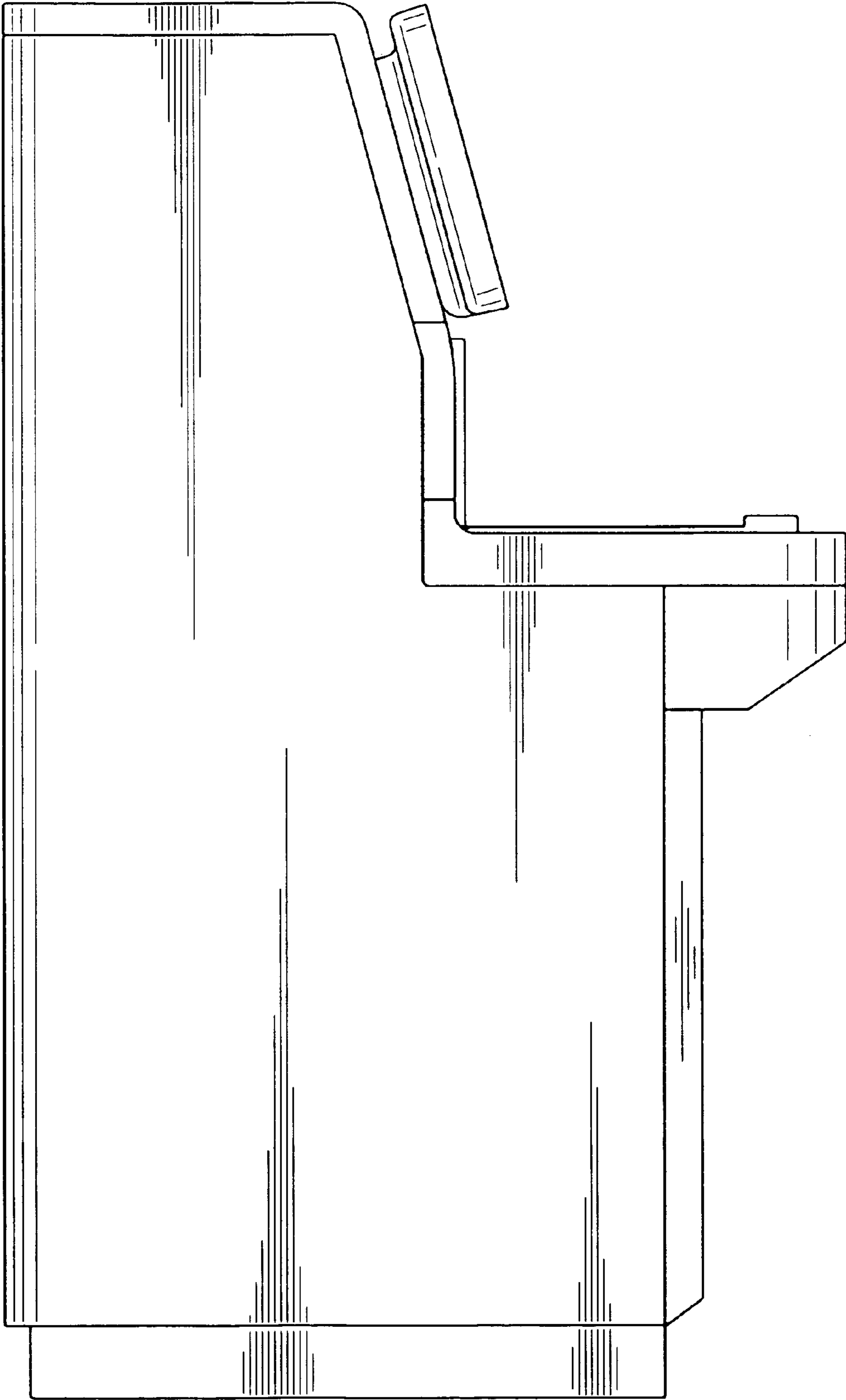
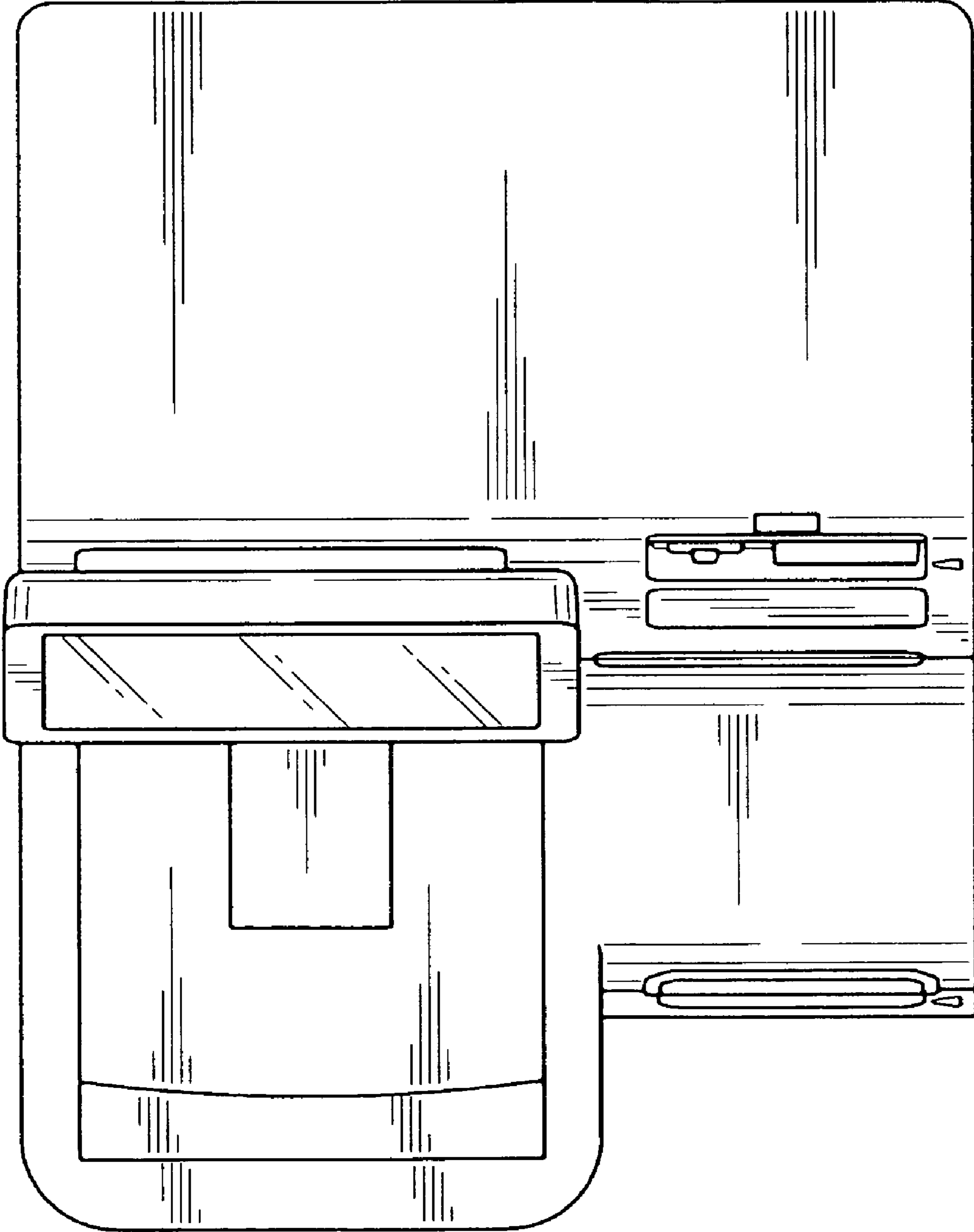
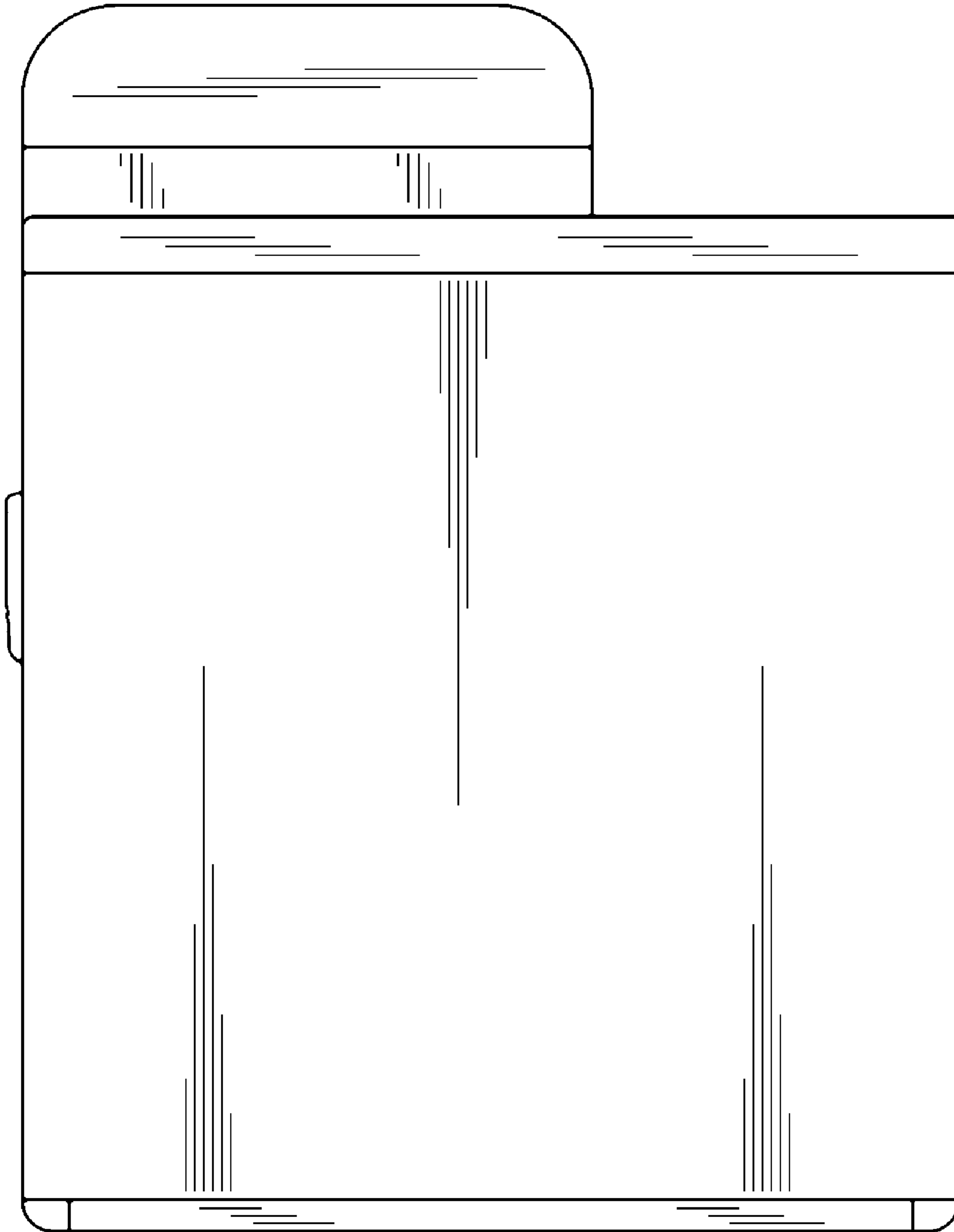


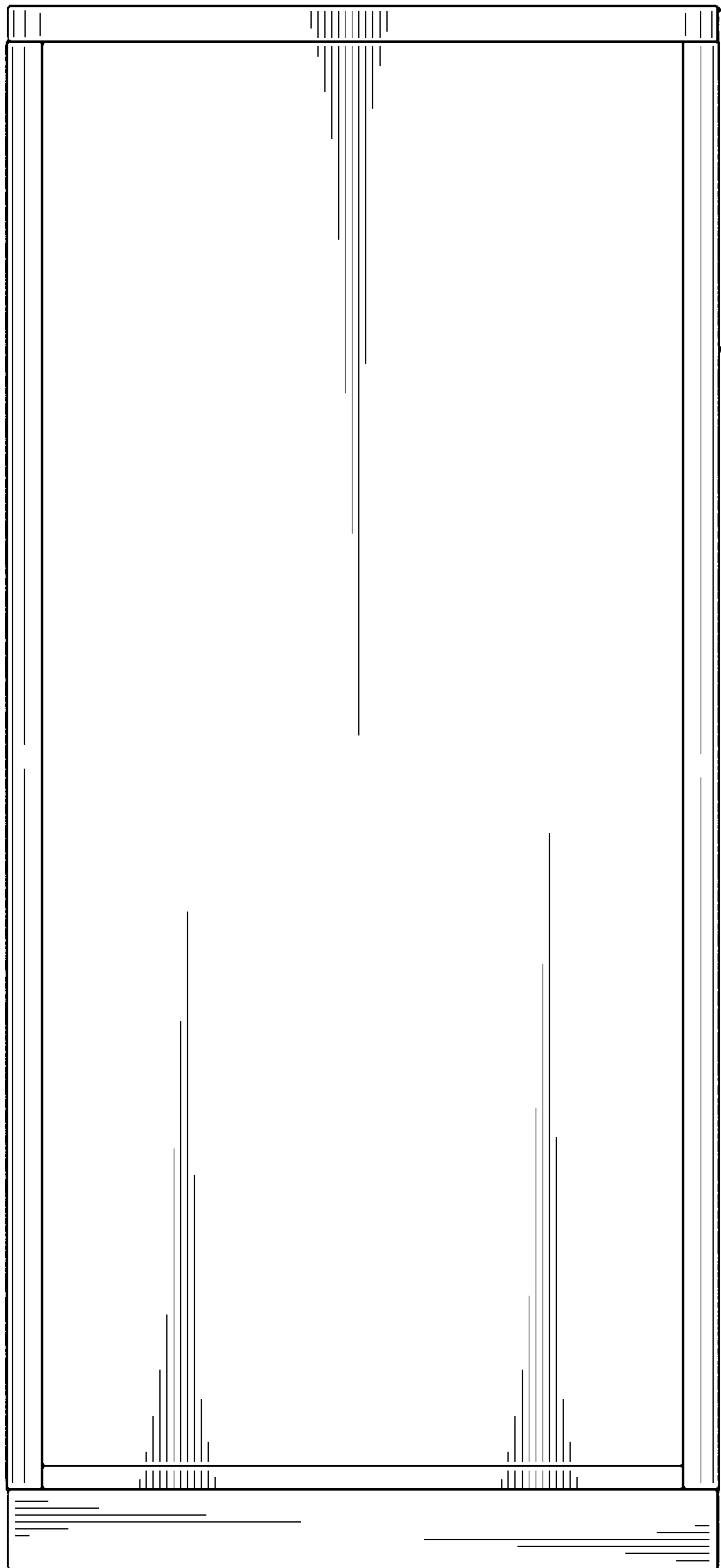
FIG. 4



**FIG. 5**



**FIG. 6**



**FIG. 7**