



US00D586577S

(12) **United States Design Patent**
Koh

(10) **Patent No.:** **US D586,577 S**

(45) **Date of Patent:** **** Feb. 17, 2009**

(54) **CHAIR**

(76) Inventor: **Tuang-Hock Koh**, No. 42, 37th Road,
Taichung Industrial Park, Taichung City
(TW) 407

(**) Term: **14 Years**

(21) Appl. No.: **29/318,820**

(22) Filed: **May 29, 2008**

(51) **LOC (9) Cl.** **06-01**

(52) **U.S. Cl.** **D6/376**

(58) **Field of Classification Search** D6/364-367,
D6/369, 372-374, 376, 379-380, 500-502;
297/239, 445.1, 446.1, 452.46, 452.2, 448.1,
297/411.2

See application file for complete search history.

(56) **References Cited**

U.S. PATENT DOCUMENTS

D447,353 S * 9/2001 Peloquin D6/368
D456,164 S * 4/2002 Vanderiet et al. D6/374
D475,544 S * 6/2003 Chadwick et al. D6/380
D476,495 S * 7/2003 Tsai D6/380

D505,801 S * 6/2005 Cesaroni et al. D6/379
D513,457 S * 1/2006 Asano et al. D6/380
D557,515 S * 12/2007 Breen D6/376
D561,485 S * 2/2008 Hock D6/379
D575,542 S * 8/2008 Igarashi D6/380

* cited by examiner

Primary Examiner—Caron Veynar

Assistant Examiner—Abraham Bahta

(57) **CLAIM**

The ornamental design for a chair, as shown.

DESCRIPTION

FIG. 1 is a perspective view of a chair showing my new design;

FIG. 2 is a front elevational view thereof;

FIG. 3 is a rear elevational view thereof;

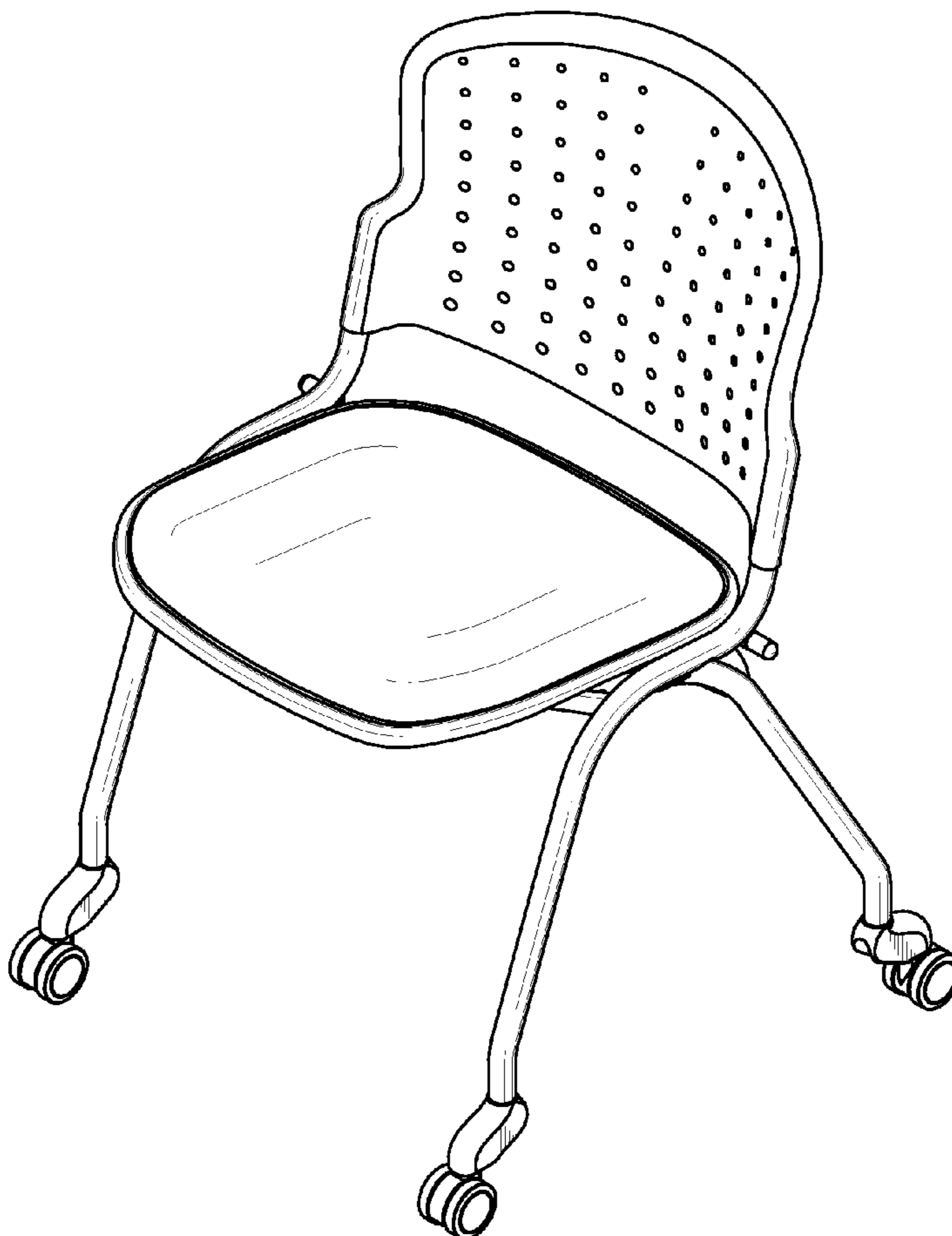
FIG. 4 is a left side view thereof;

FIG. 5 is a right side view thereof;

FIG. 6 is a top plain view thereof; and,

FIG. 7 is a bottom plain view thereof.

1 Claim, 6 Drawing Sheets



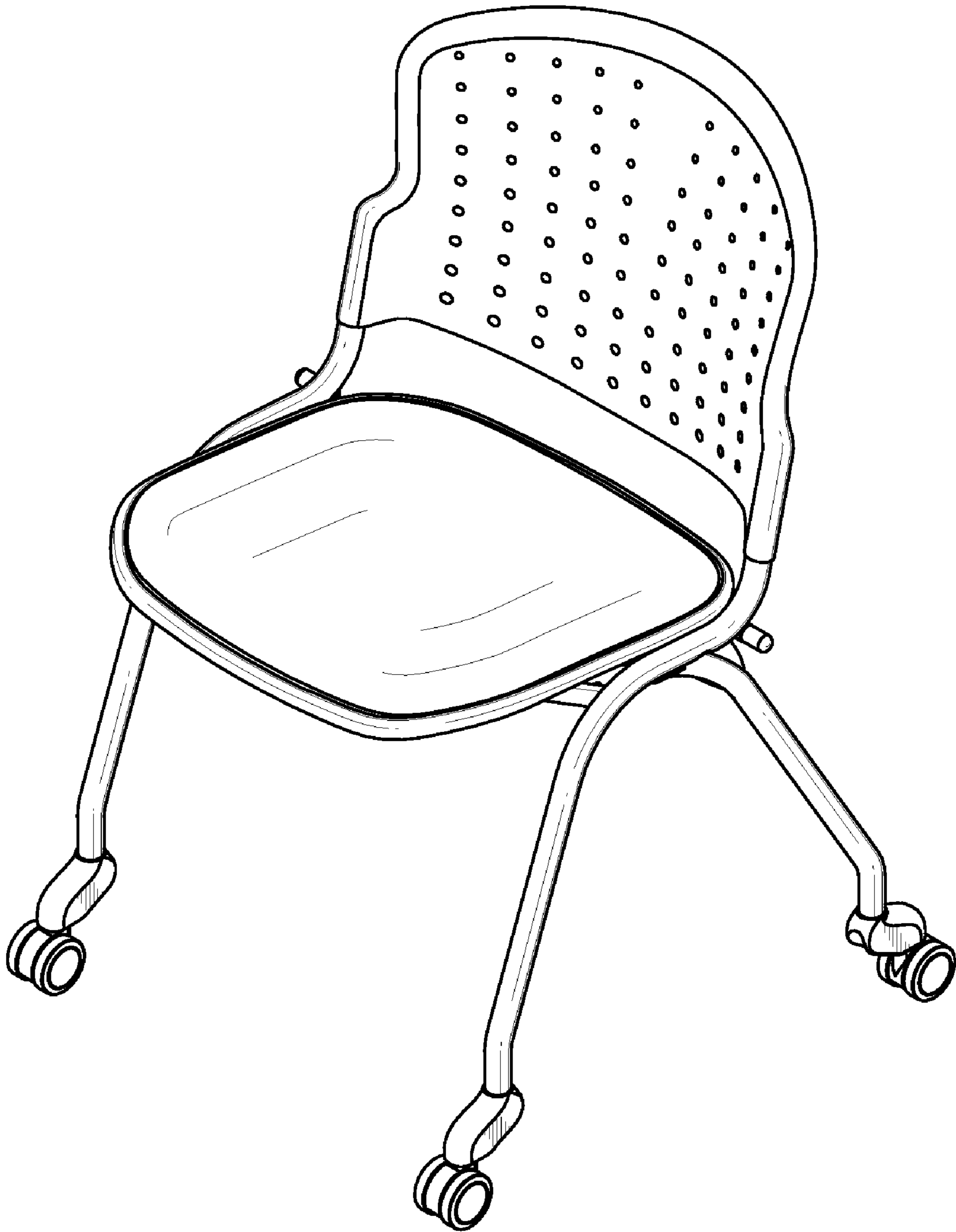


FIG. 1

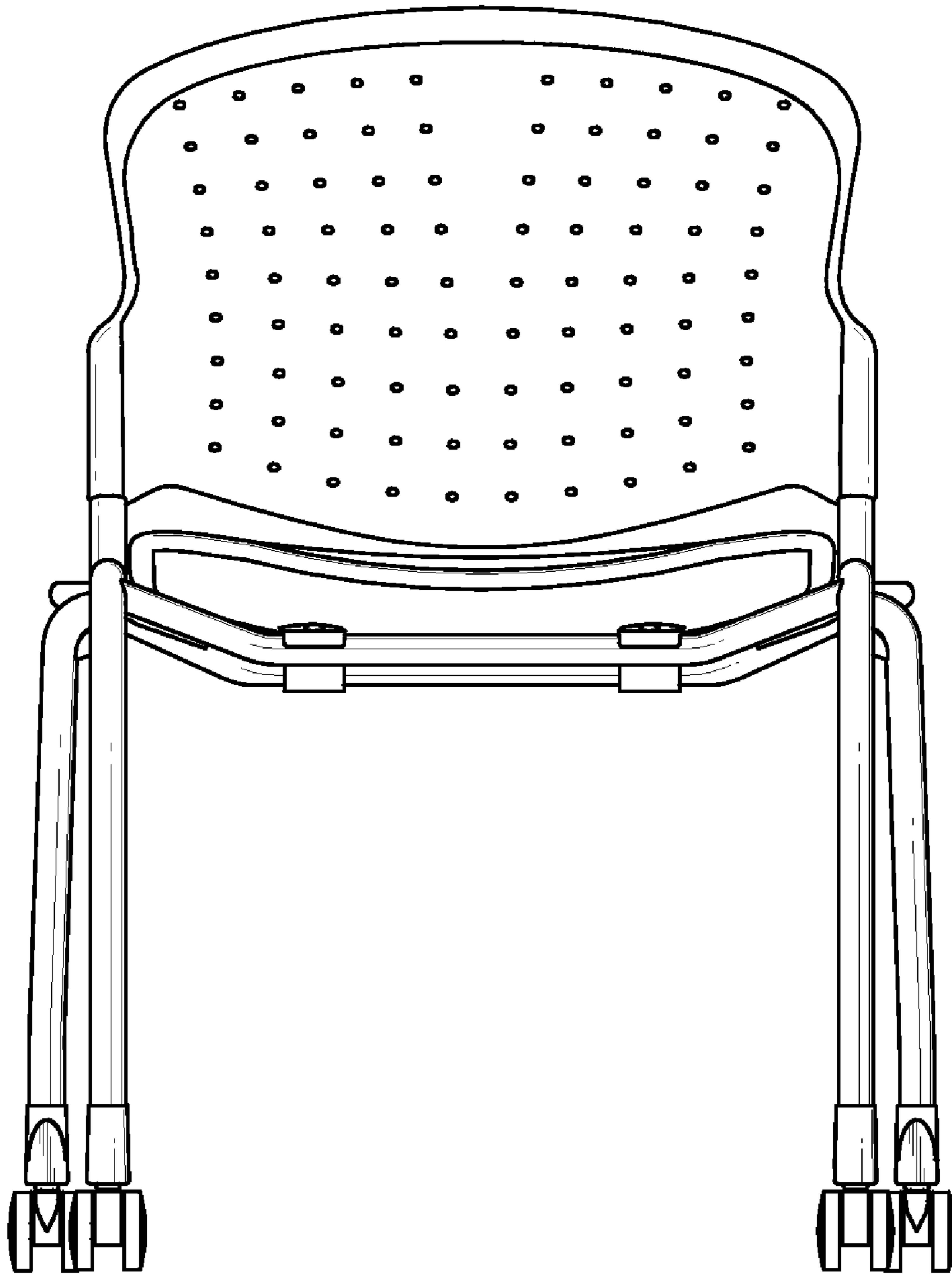


FIG. 2

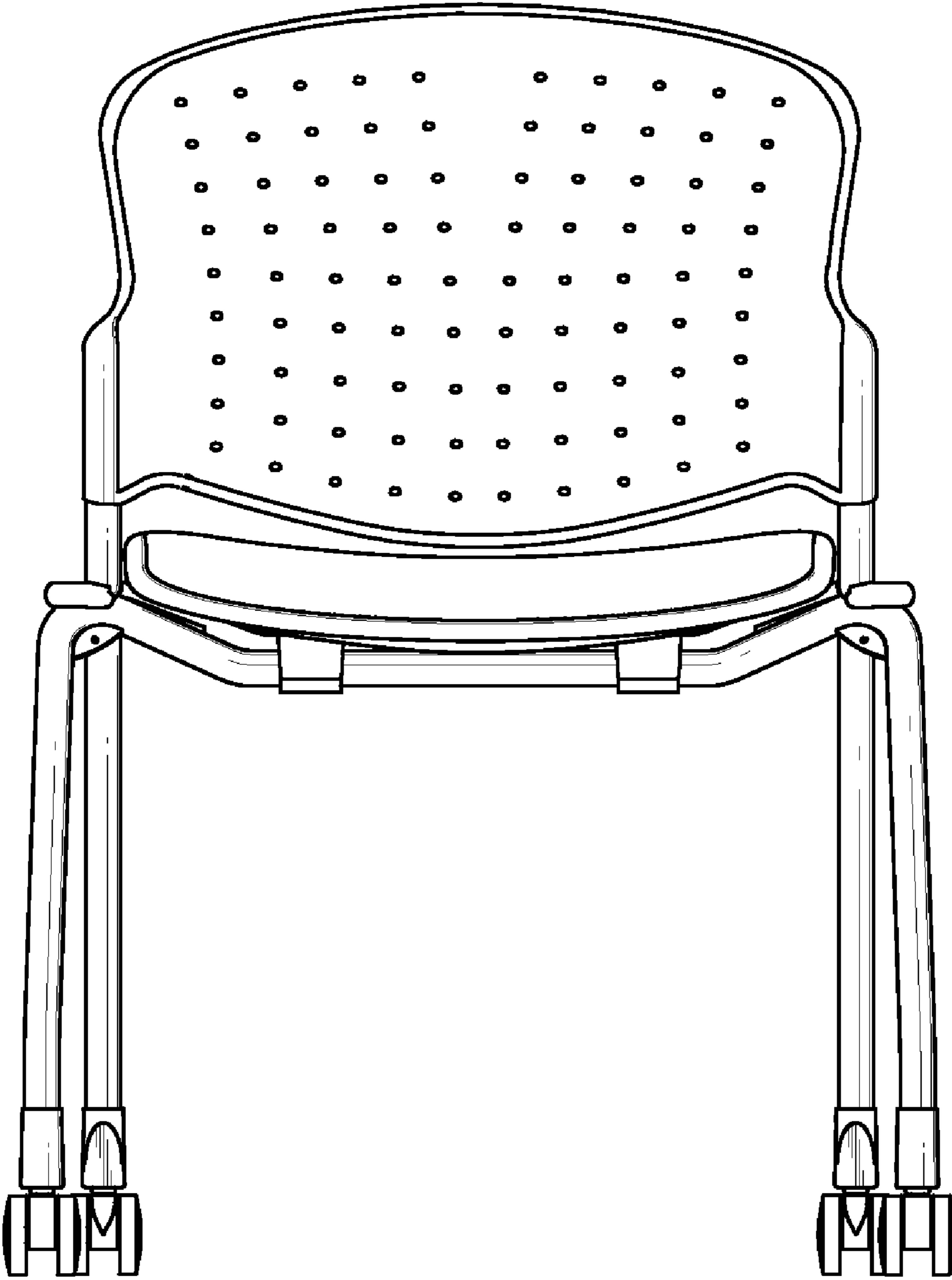


FIG. 3

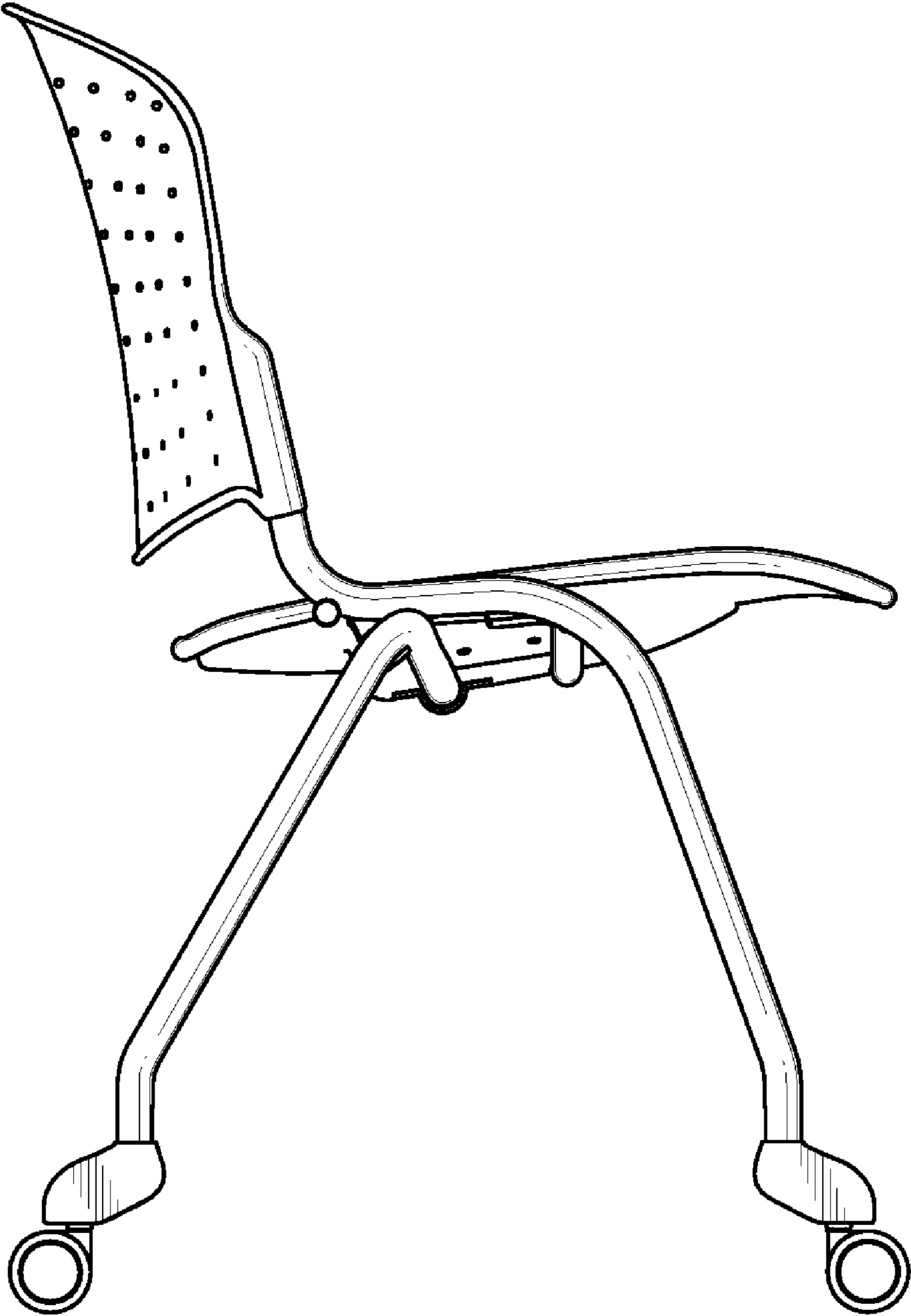


FIG. 4

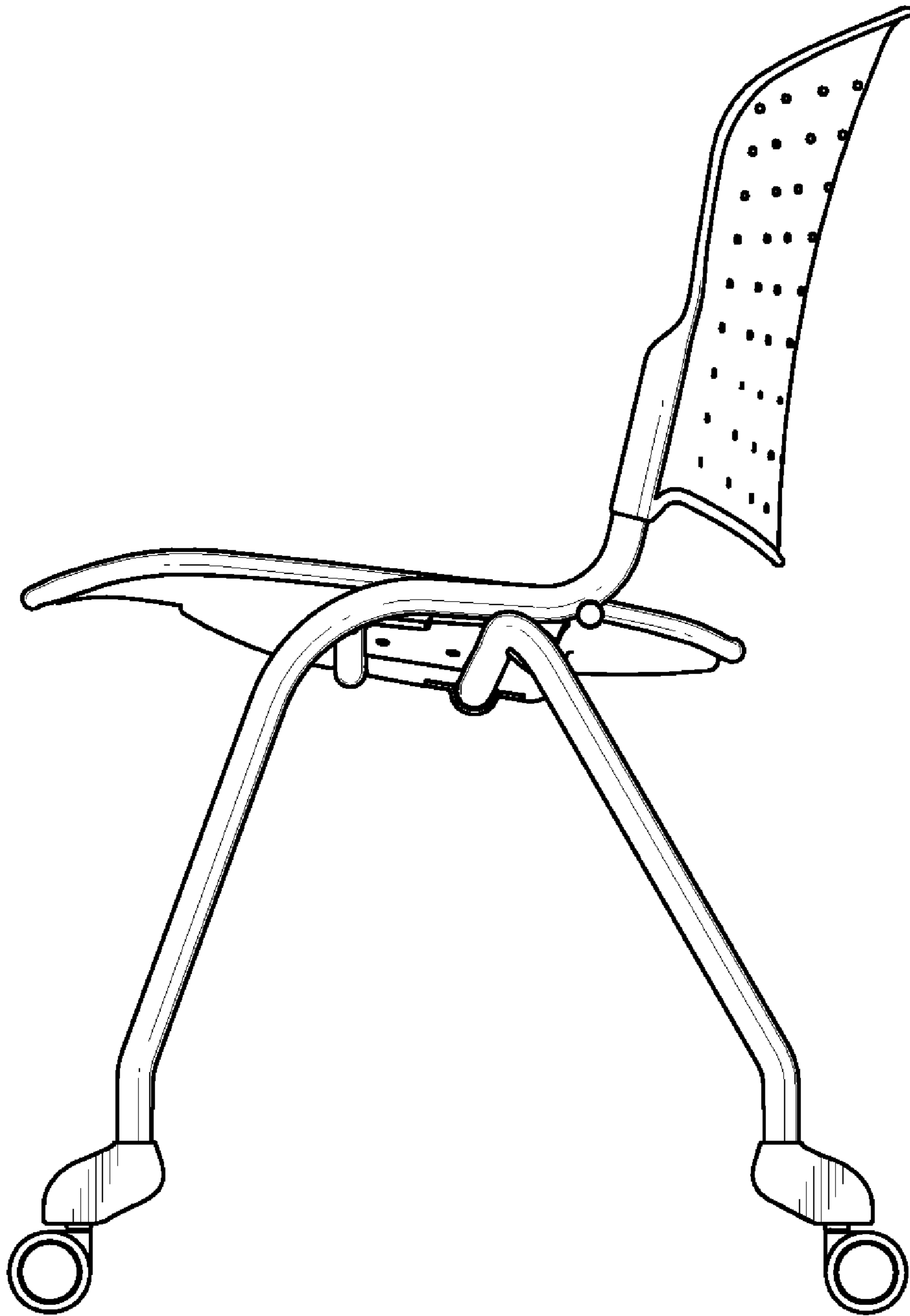


FIG. 5

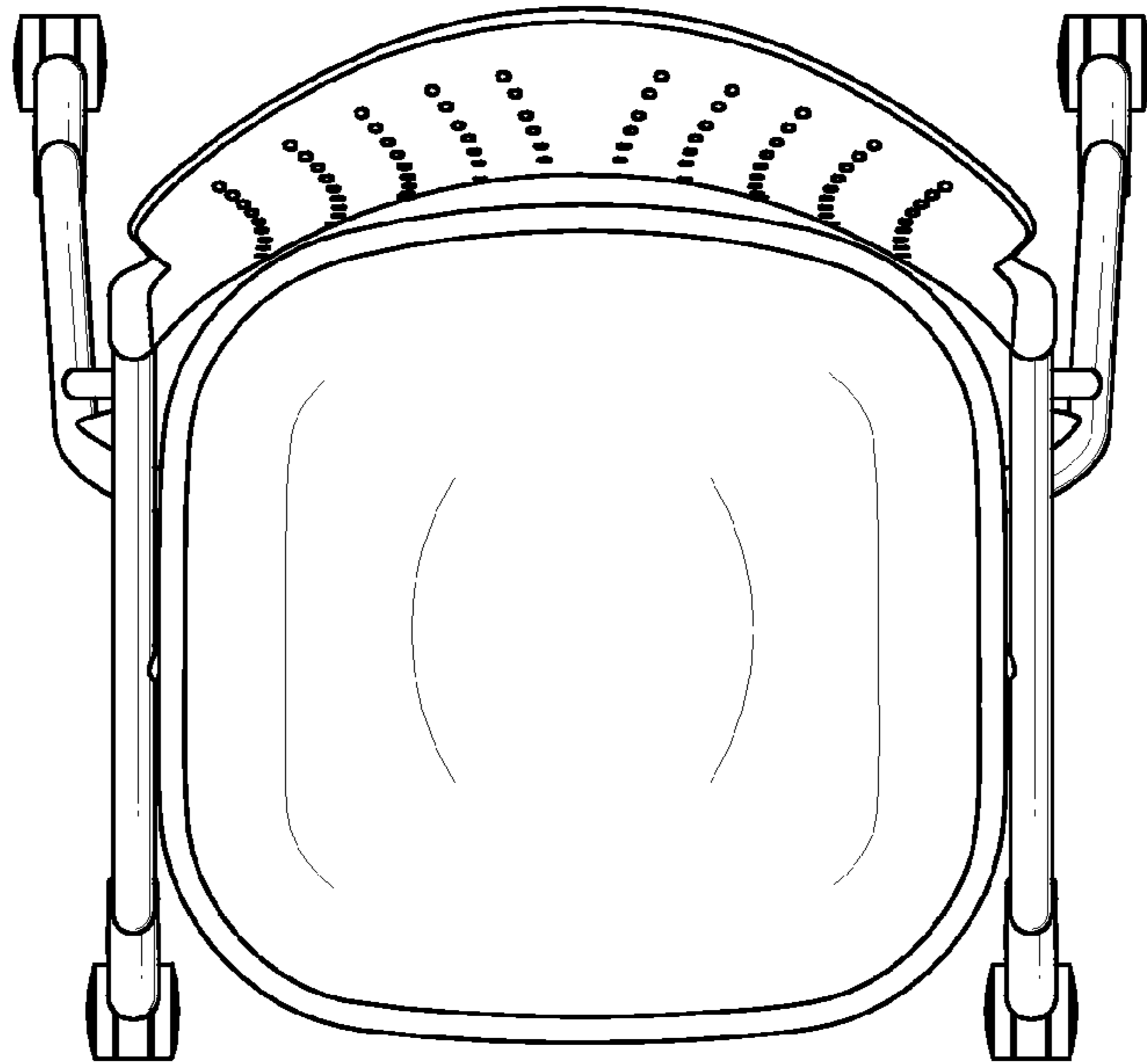


FIG. 6

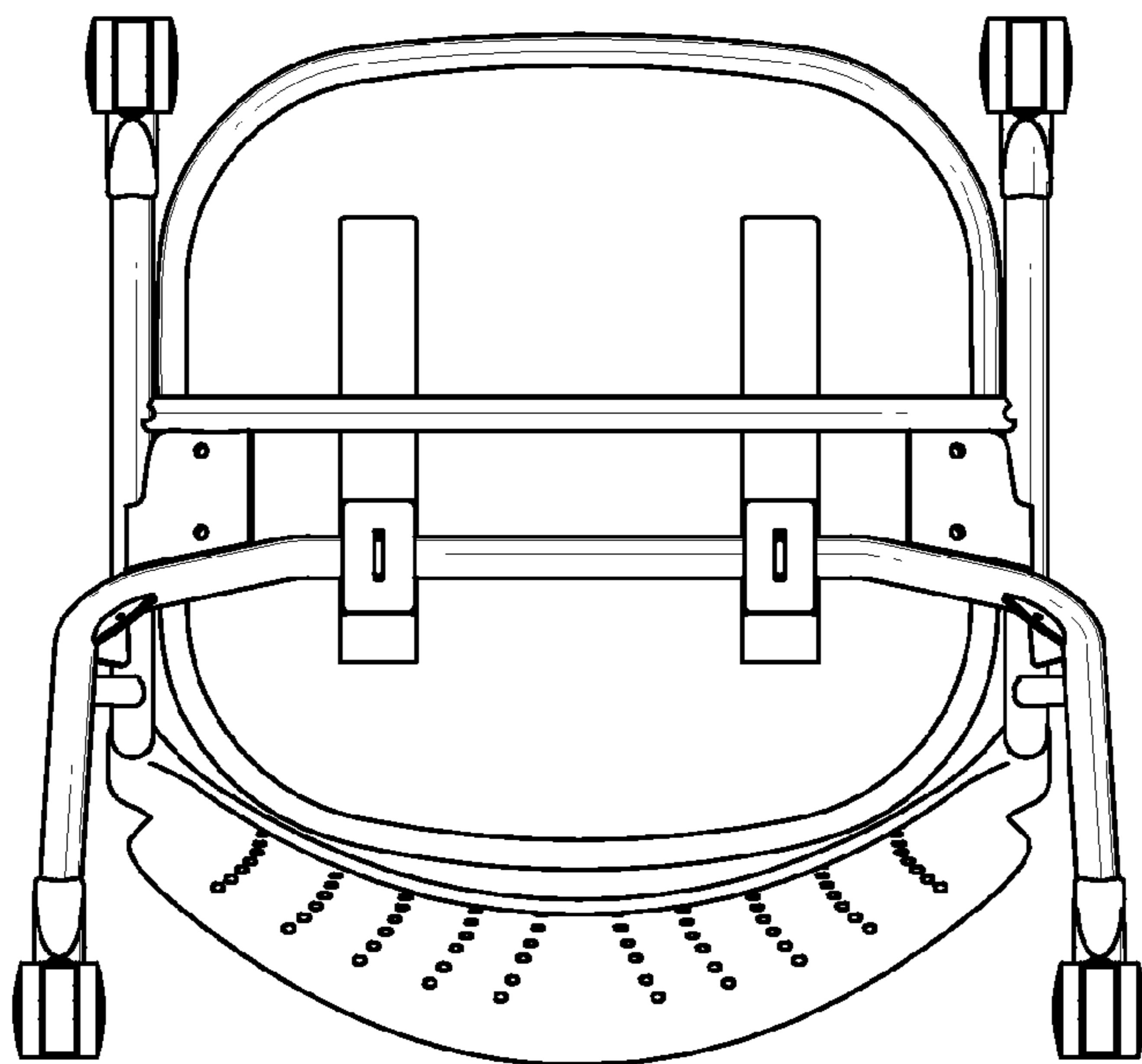


FIG. 7