



US00D586576S

(12) **United States Design Patent**
Garbers

(10) **Patent No.:** **US D586,576 S**
(45) **Date of Patent:** **** Feb. 17, 2009**

(54) **CHAIR**

(75) Inventor: **Thore Garbers**, Berlin (DE)

(73) Assignee: **WILDE + SPIETH Designmoebel GmbH & Co. KG**, Esslingen (DE)

(**) Term: **14 Years**

(21) Appl. No.: **29/274,723**

(22) Filed: **May 17, 2007**

(30) **Foreign Application Priority Data**

Nov. 22, 2006 (DE) 4 06 06 088

(51) **LOC (9) Cl.** **06-01**

(52) **U.S. Cl.** **D6/373**

(58) **Field of Classification Search** D6/334-336,
D6/371, 372, 373, 374, 375, 376, 379, 380,
D6/500-502; 297/239, 445.1, 446.1, 448.1,
297/448.2, 451.7

See application file for complete search history.

(56) **References Cited**

U.S. PATENT DOCUMENTS

D112,453 S * 12/1938 Sperlich D6/373
D181,676 S * 12/1957 Ristenpart D6/373

D244,978 S * 7/1977 Polsky et al. D6/369
D256,409 S * 8/1980 Wilson D6/369
D414,617 S * 10/1999 Foussianes D6/372
D421,684 S * 3/2000 Saul D6/373
D426,969 S * 6/2000 Lange D6/373
D495,890 S * 9/2004 Chadwick et al. D6/373

* cited by examiner

Primary Examiner—Mimosa De

(74) *Attorney, Agent, or Firm*—Crowell & Moring LLP

(57) **CLAIM**

The ornamental design for a chair, as shown and described.

DESCRIPTION

FIG. 1 is a perspective view of a chair according to my novel design;

FIG. 2 is a right side view thereof;

FIG. 3 is a left side view thereof;

FIG. 4 is a front view thereof;

FIG. 5 is a rear view thereof;

FIG. 6 is a top view thereof; and,

FIG. 7 is a bottom view thereof.

1 Claim, 7 Drawing Sheets





Fig. 1

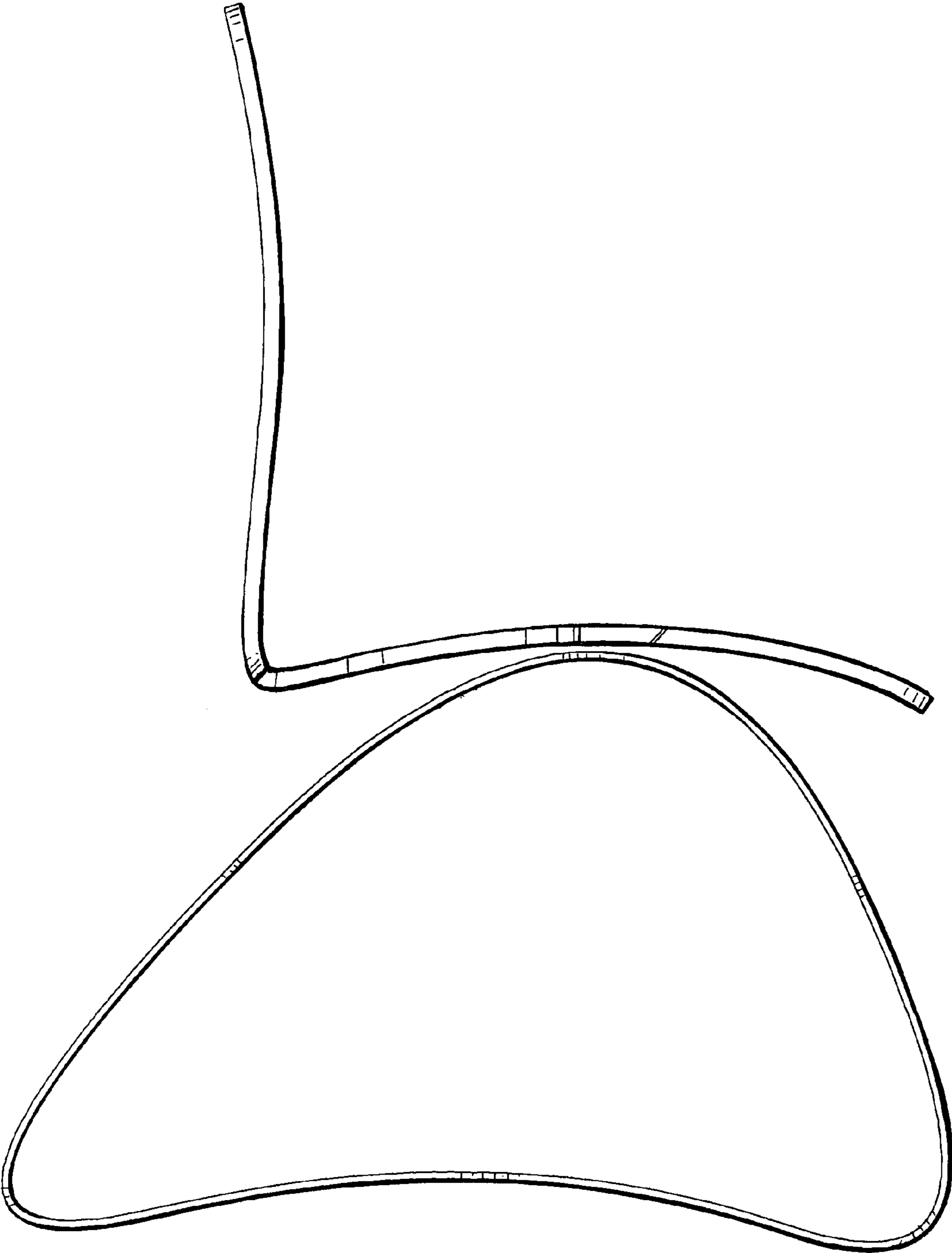


Fig. 2

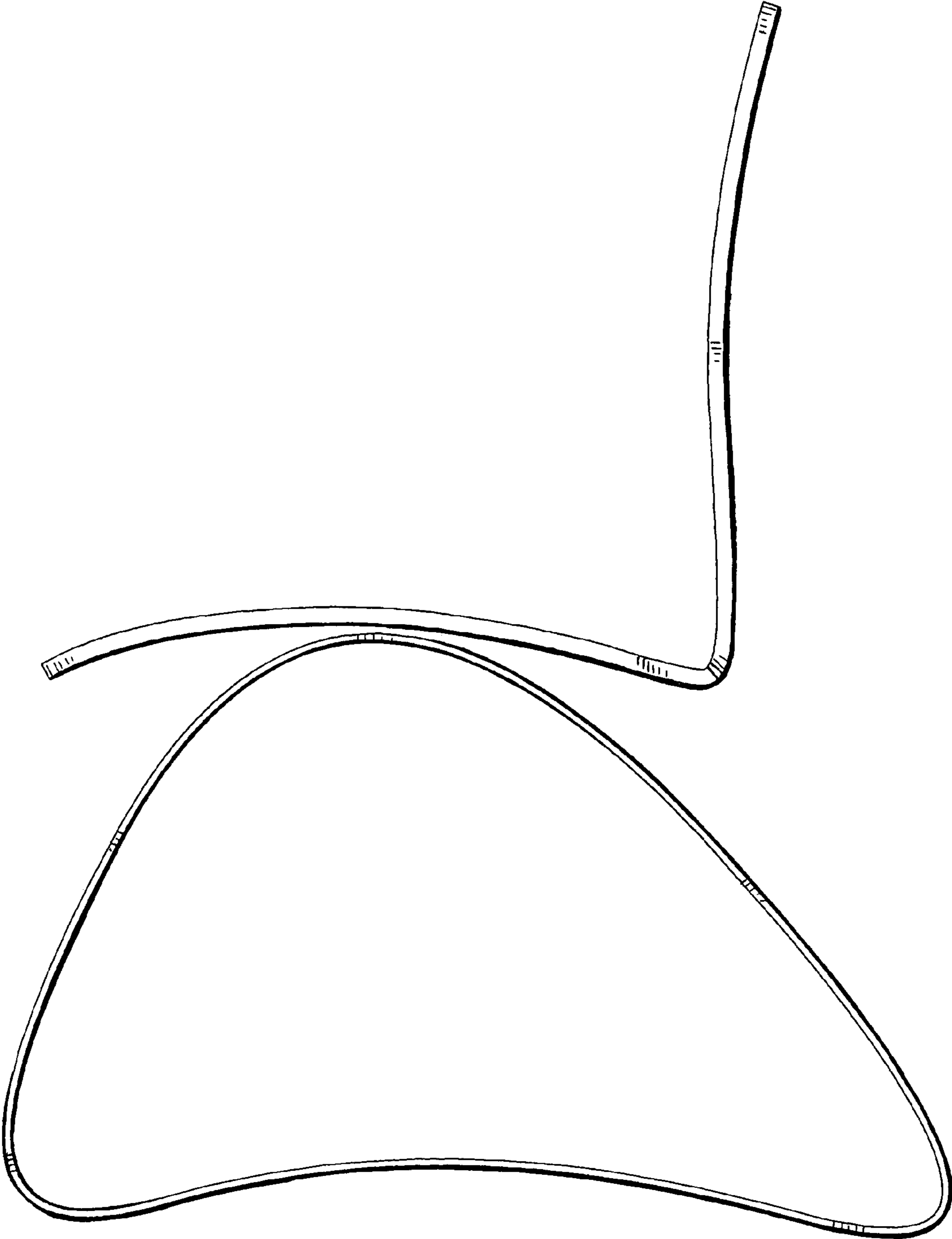


Fig. 3

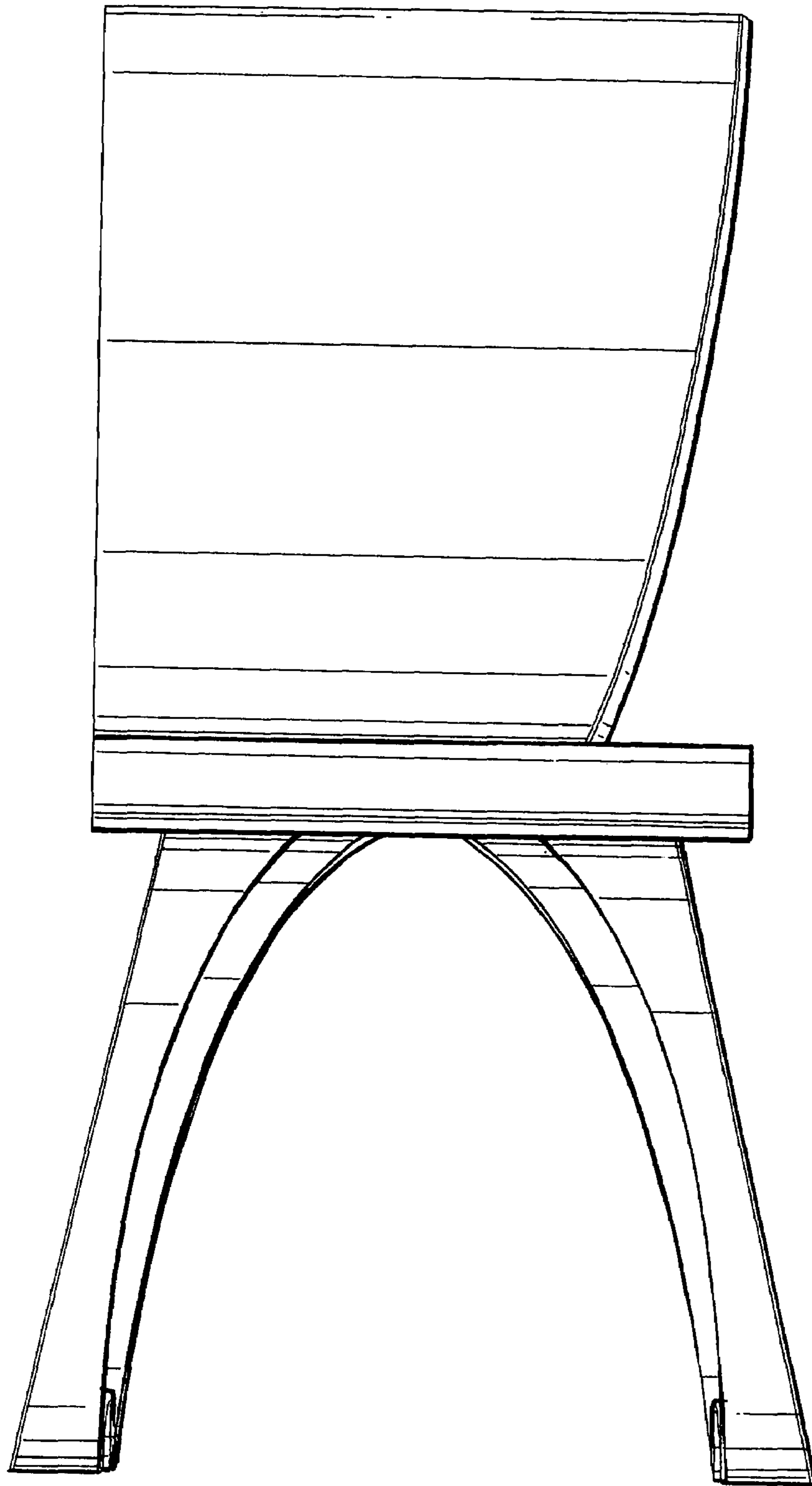


Fig. 4

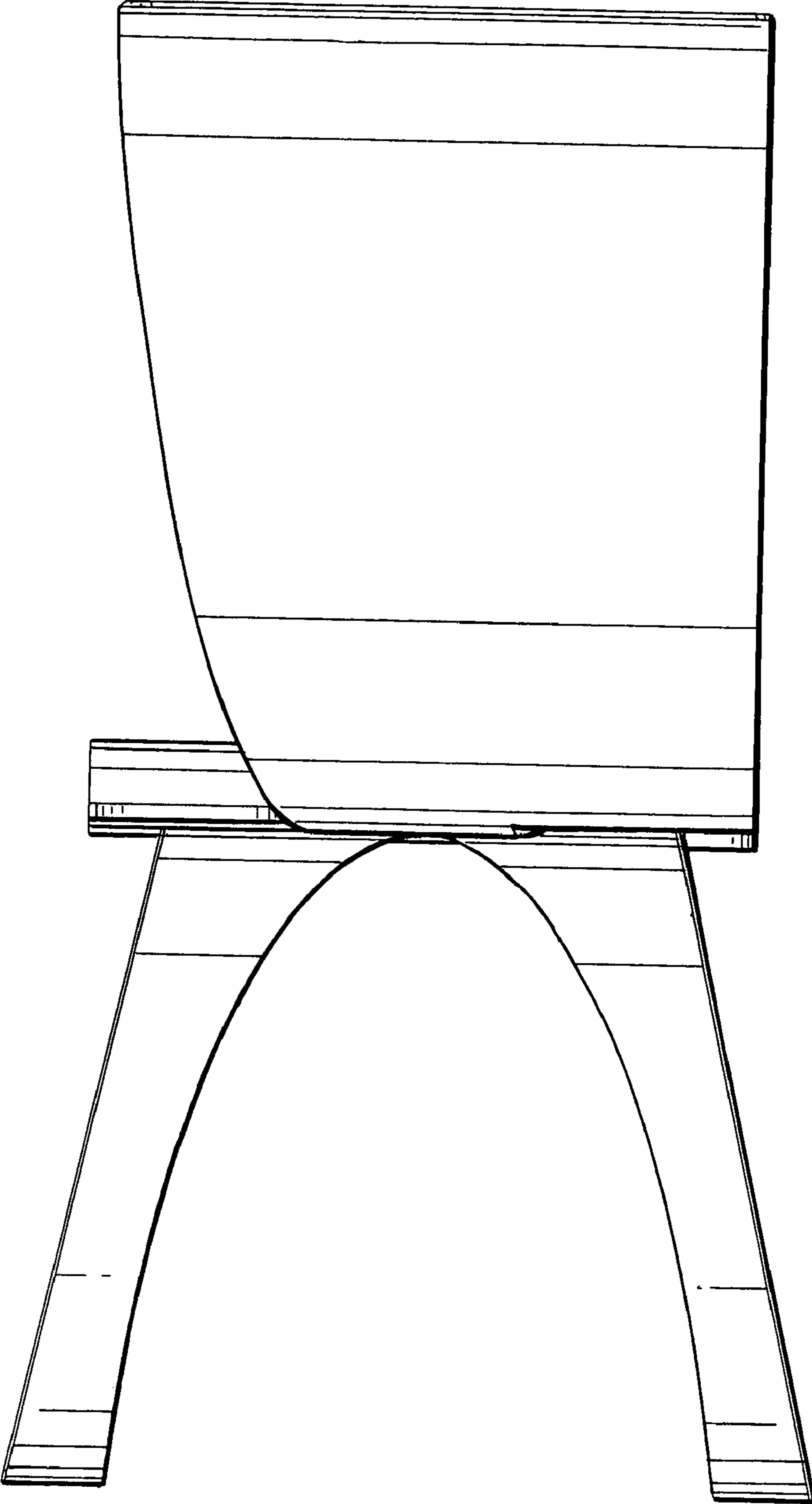


Fig. 5

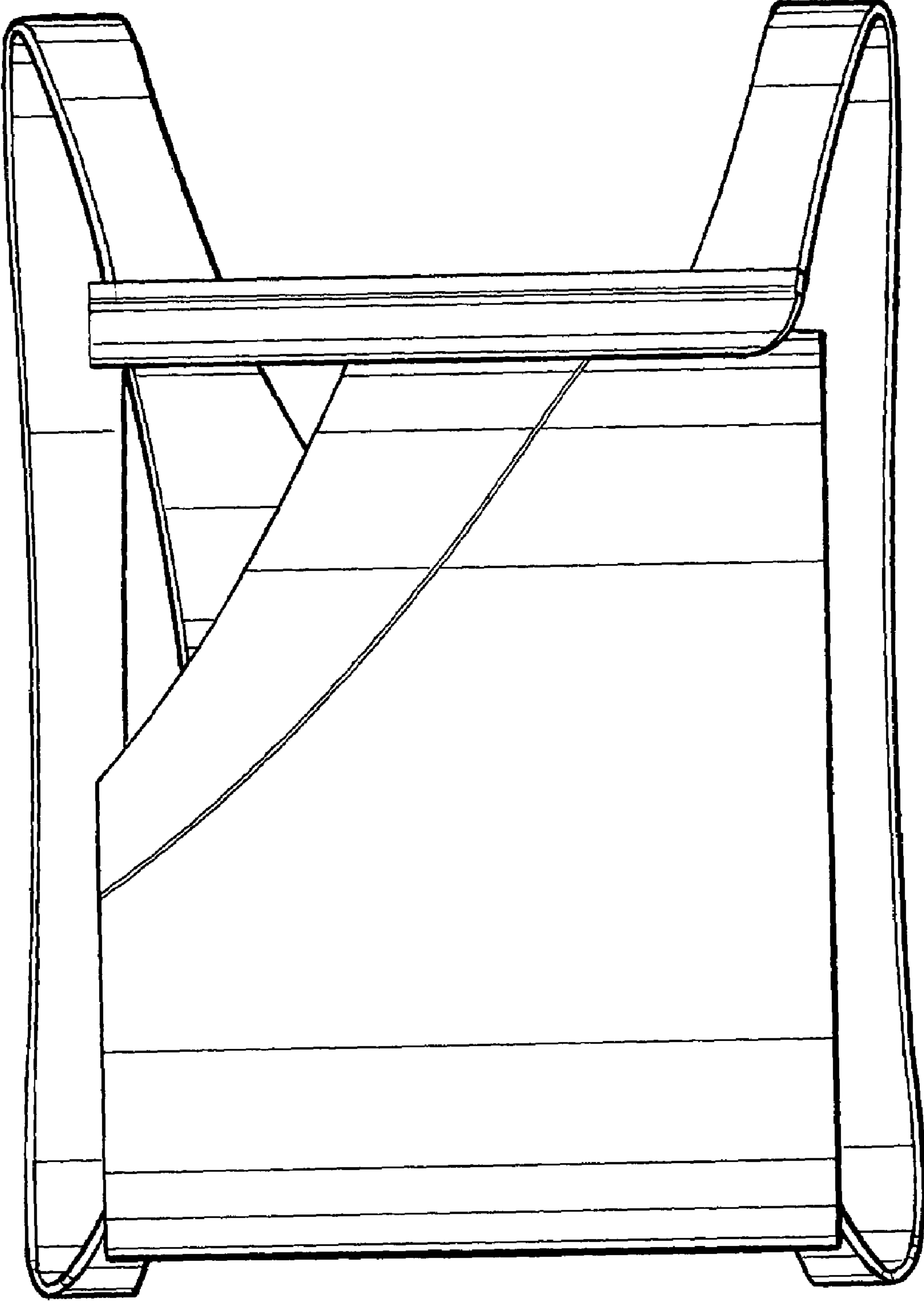


Fig. 6

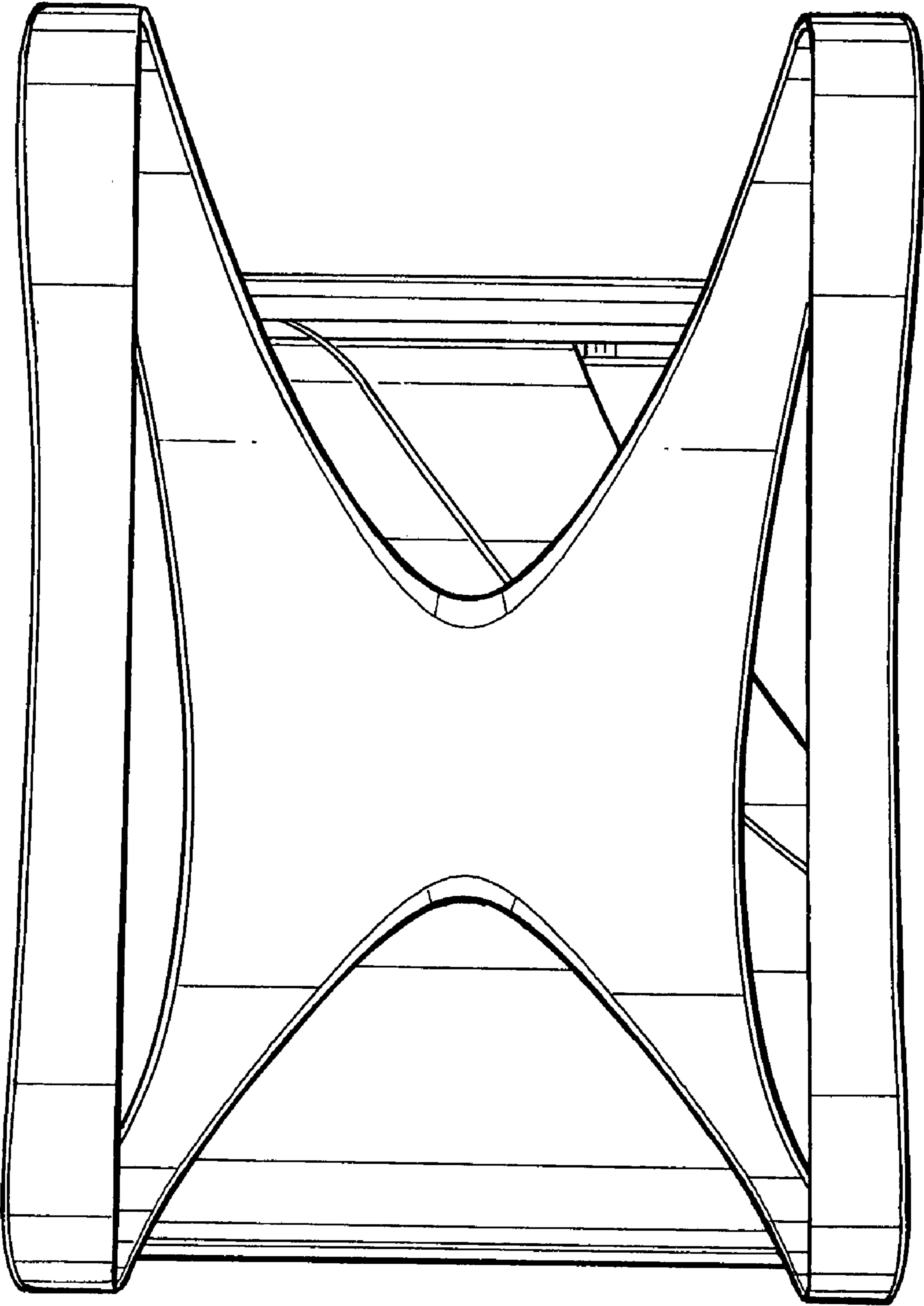


Fig. 7