



US00D586573S

(12) **United States Design Patent**
Saitou

(10) **Patent No.:** **US D586,573 S**

(45) **Date of Patent:** **** Feb. 17, 2009**

(54) **STOOL**

(75) Inventor: **Hideyuki Saitou**, Tokyo (JP)

(73) Assignee: **Okamura Corporation** (JP)

(**) Term: **14 Years**

(21) Appl. No.: **29/317,449**

(22) Filed: **Apr. 30, 2008**

(51) **LOC (9) Cl.** **06-01**

(52) **U.S. Cl.** **D6/349**

(58) **Field of Classification Search** D6/334-338,
D6/349, 355, 361, 368-370, 376, 379-381,
D6/492, 500-502; 297/16.1, 42, 94, 135,
297/175, 232, 233, 350, 351, 445.1, 448.1,
297/448.2, 451.9; 5/12.1, 12.2

See application file for complete search history.

(56) **References Cited**

U.S. PATENT DOCUMENTS

| | | | | | | |
|-----------|---|---|---------|-------------------|-------|------------|
| D156,463 | S | * | 12/1949 | Rita | | D6/352 |
| 2,542,040 | A | * | 2/1951 | MacLellan | | 108/119 |
| D169,696 | S | * | 5/1953 | Ries et al. | | D6/352 |
| 2,649,140 | A | * | 8/1953 | Housel | | 248/431 |
| 2,722,973 | A | * | 11/1955 | Murcott | | 108/118 |
| 3,262,406 | A | * | 7/1966 | Nickolaisen | | 297/461 |
| D207,705 | S | * | 5/1967 | Allen | | D34/23 |
| 4,183,579 | A | * | 1/1980 | Gonzalez y. Rojas | .. | 297/195.11 |
| D265,951 | S | * | 8/1982 | Simpson | | D6/352 |

| | | | | | | |
|-----------|----|---|---------|---------------|-------|------------|
| D271,352 | S | * | 11/1983 | De Boer | | D6/349 |
| 4,469,372 | A | * | 9/1984 | Long | | 297/5 |
| D338,345 | S | * | 8/1993 | Camp | | D6/363 |
| D396,569 | S | * | 8/1998 | Chen | | D6/368 |
| D474,041 | S | * | 5/2003 | Howard et al. | | D6/368 |
| 6,634,704 | B1 | * | 10/2003 | Bergquist | | 297/16.2 |
| 6,709,052 | B2 | * | 3/2004 | Jalkanen | | 297/202 |
| D493,968 | S | * | 8/2004 | Barbieri | | D6/352 |
| 6,899,388 | B1 | * | 5/2005 | Enrique | | 297/184.16 |
| D509,076 | S | * | 9/2005 | Beck | | D6/354 |

* cited by examiner

Primary Examiner—Sandra Snapp

(74) *Attorney, Agent, or Firm*—Ostrolenk, Faber, Gerb & Soffen, LLP

(57) **CLAIM**

The ornamental design for stool, as shown and described.

DESCRIPTION

FIG. 1 is a perspective view of a stool showing my new design;

FIG. 2 is a front elevational view thereof;

FIG. 3 is a rear elevational view thereof;

FIG. 4 is a top plan view thereof;

FIG. 5 is a bottom plan view thereof; and,

FIG. 6 is a right side, elevational view thereof, the left side elevational view thereof being a mirror image.

1 Claim, 4 Drawing Sheets

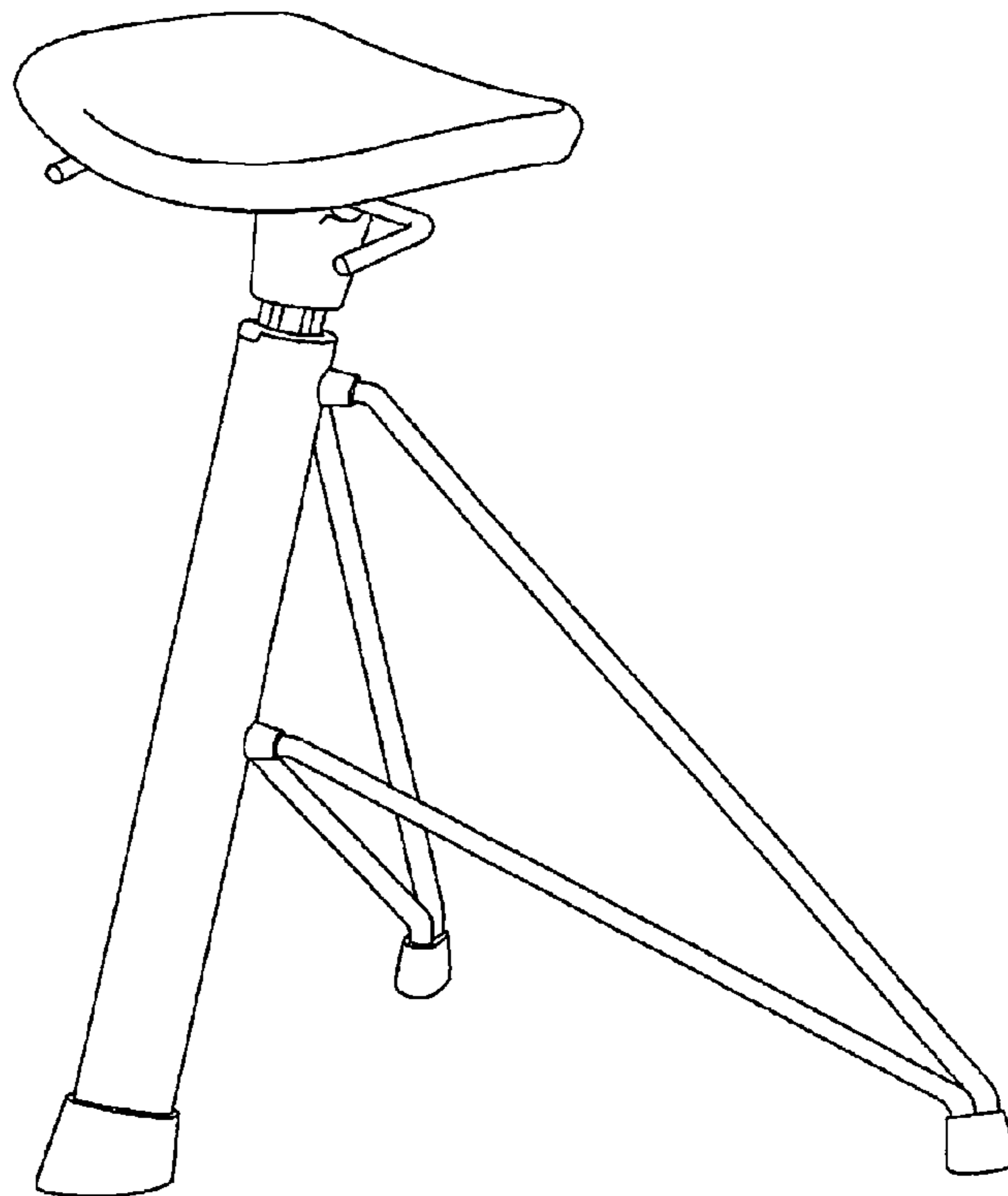


FIG. 1

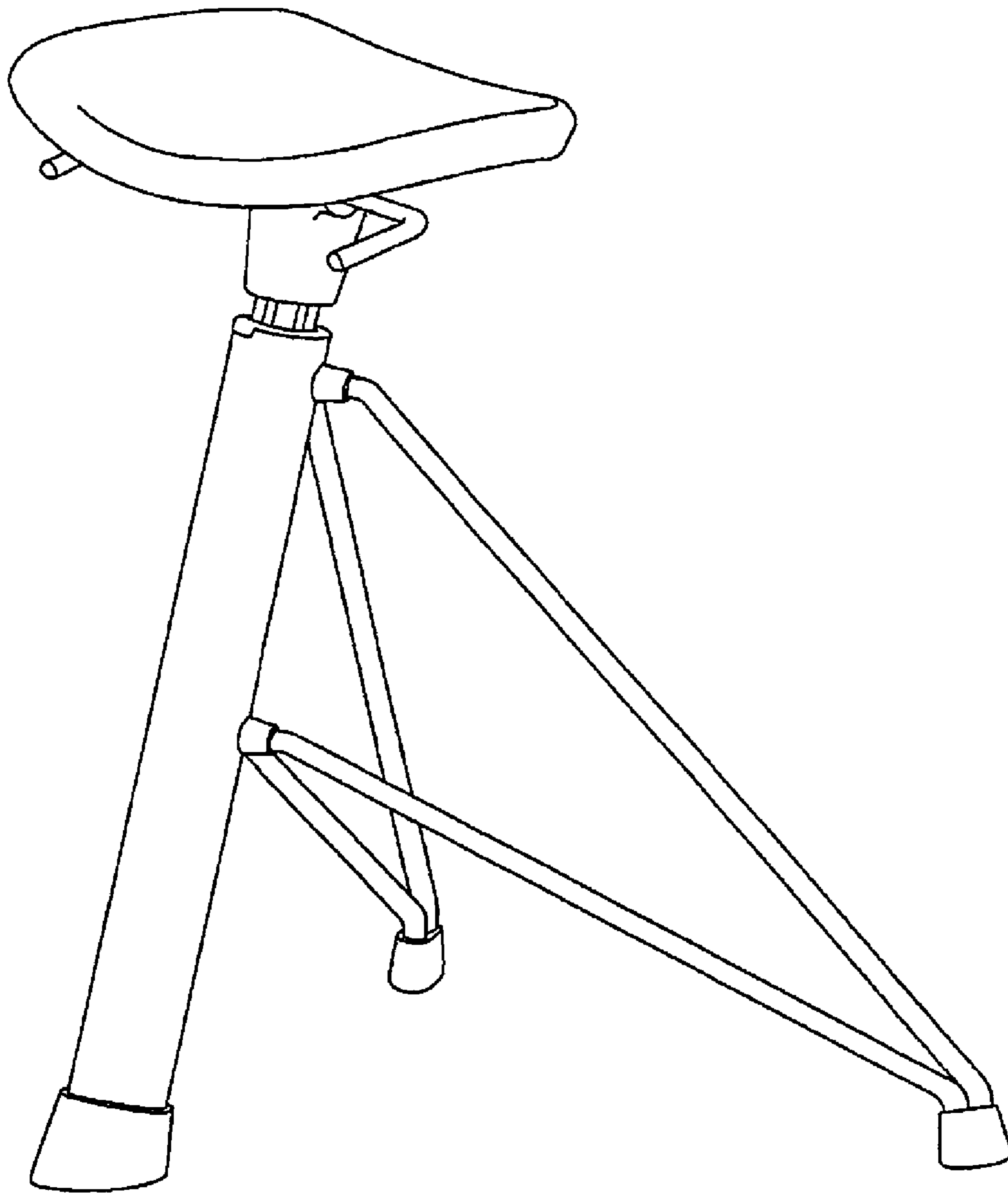


FIG. 2

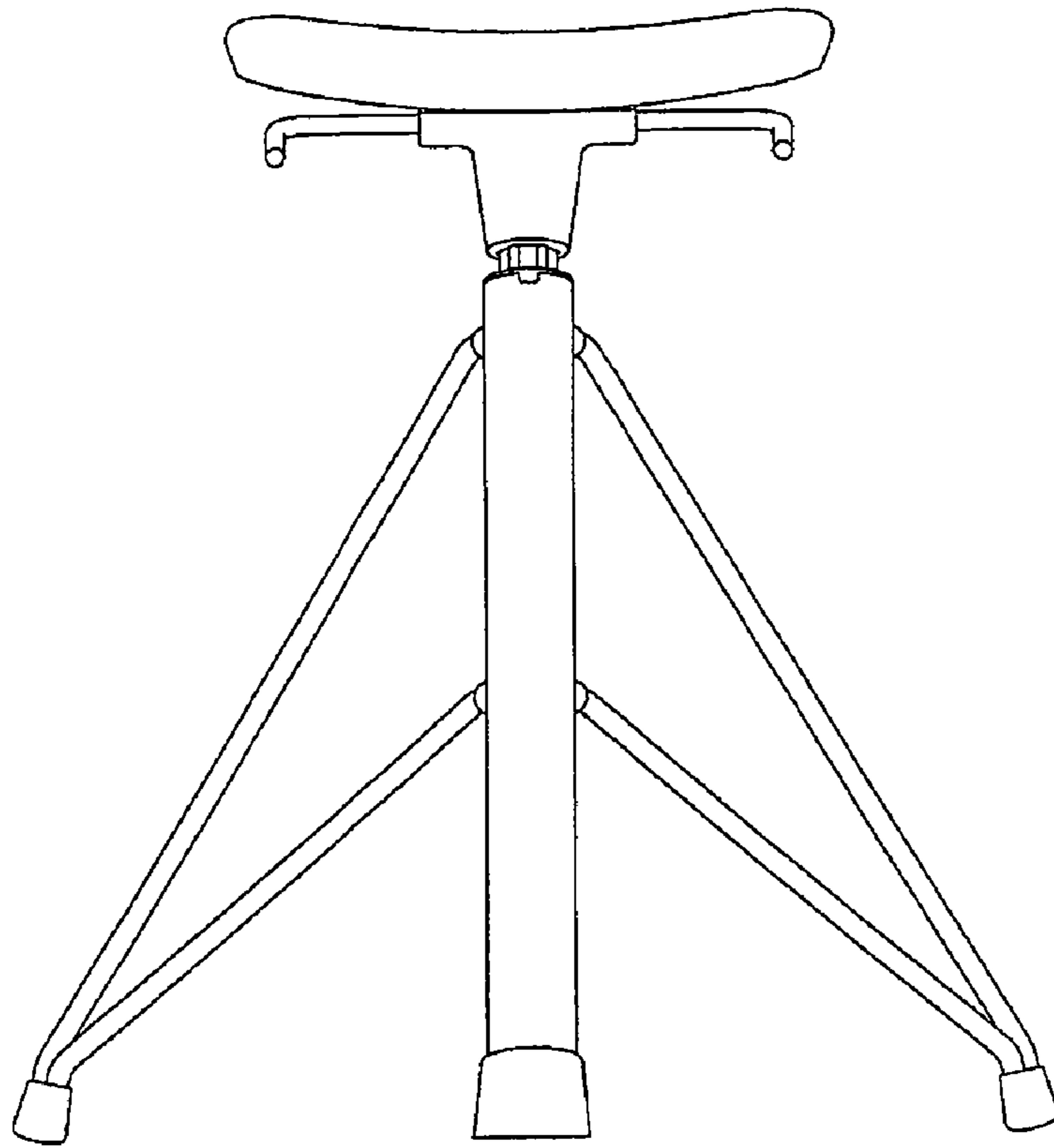


FIG. 3

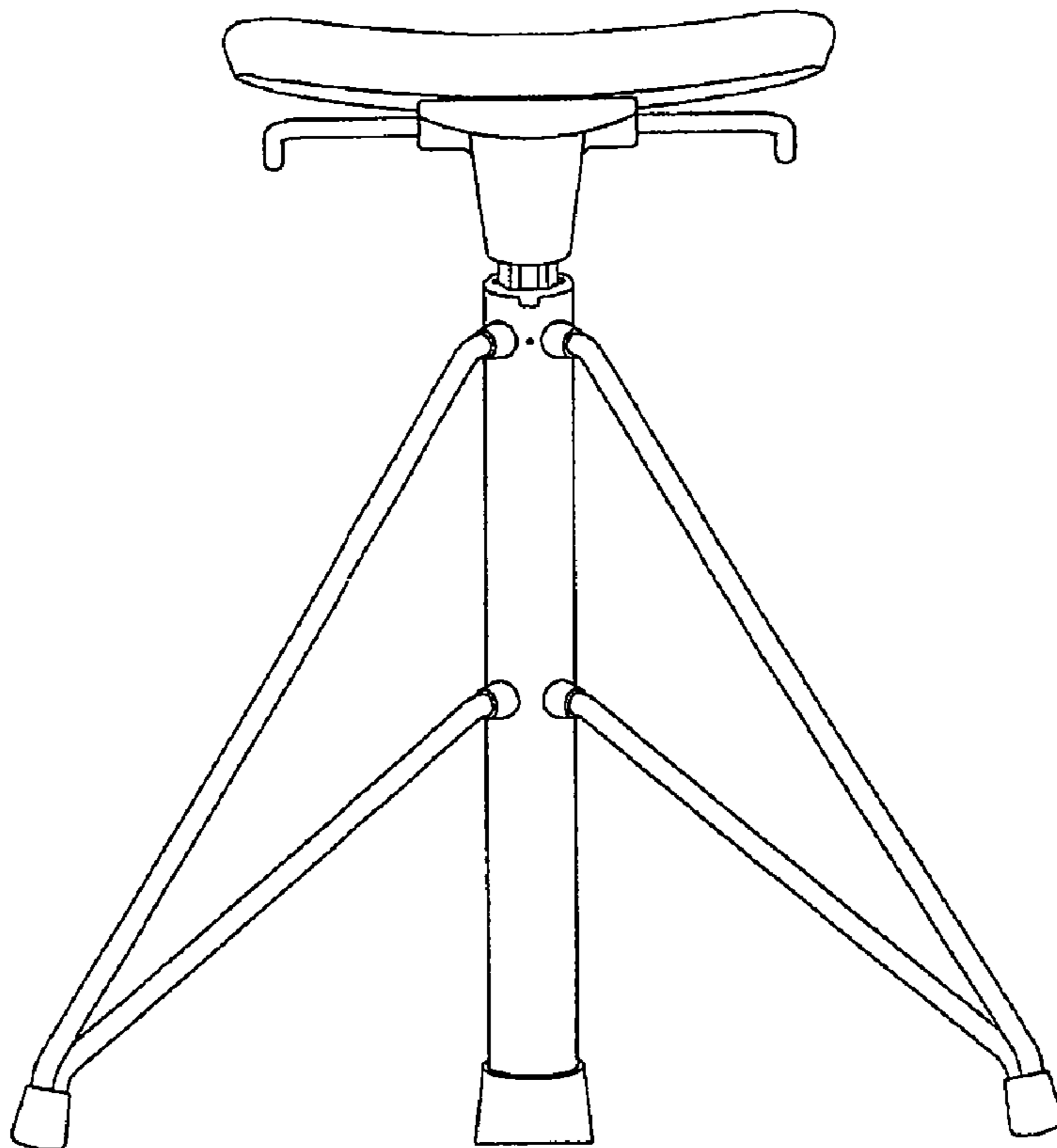


FIG. 4

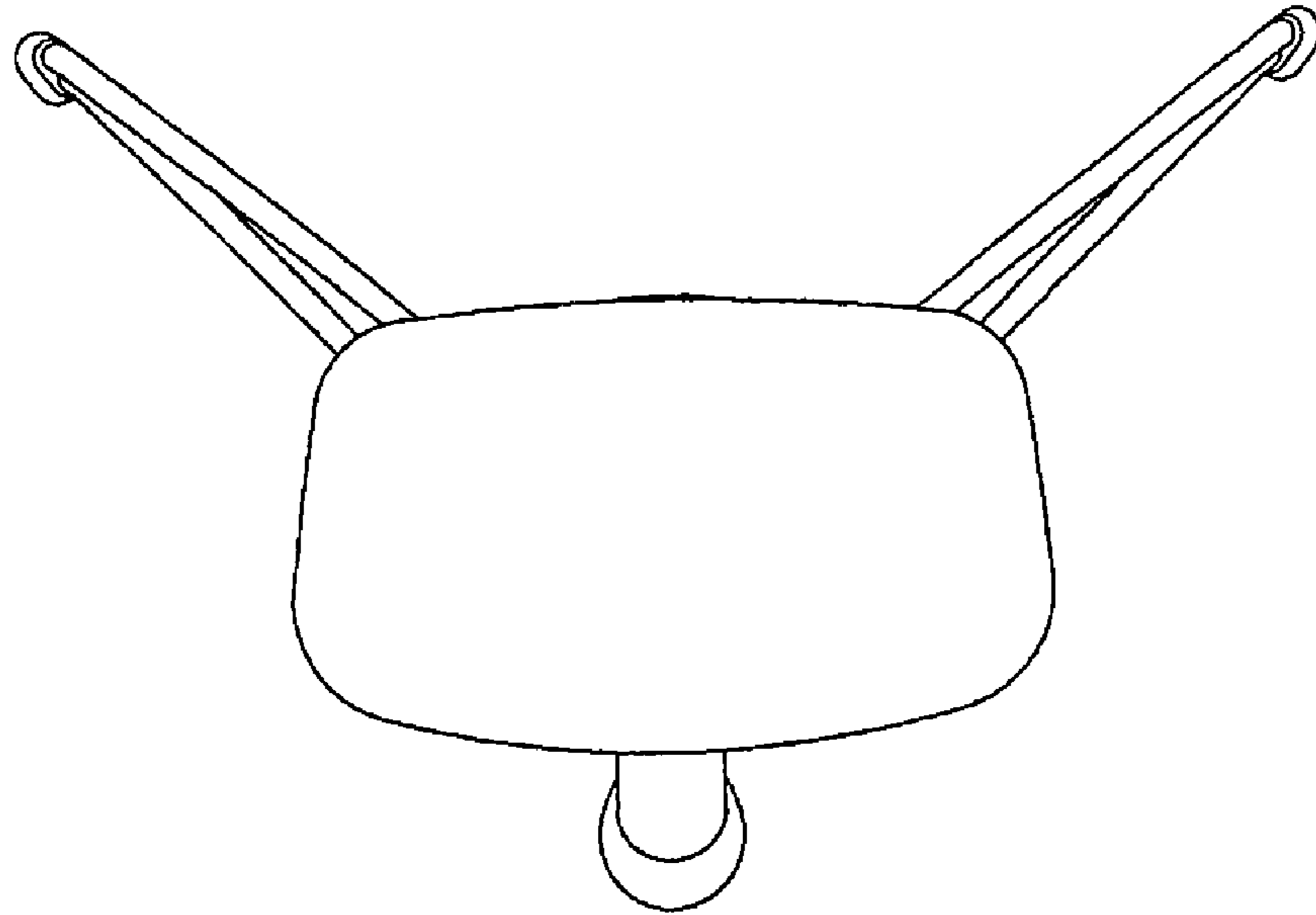


FIG. 5

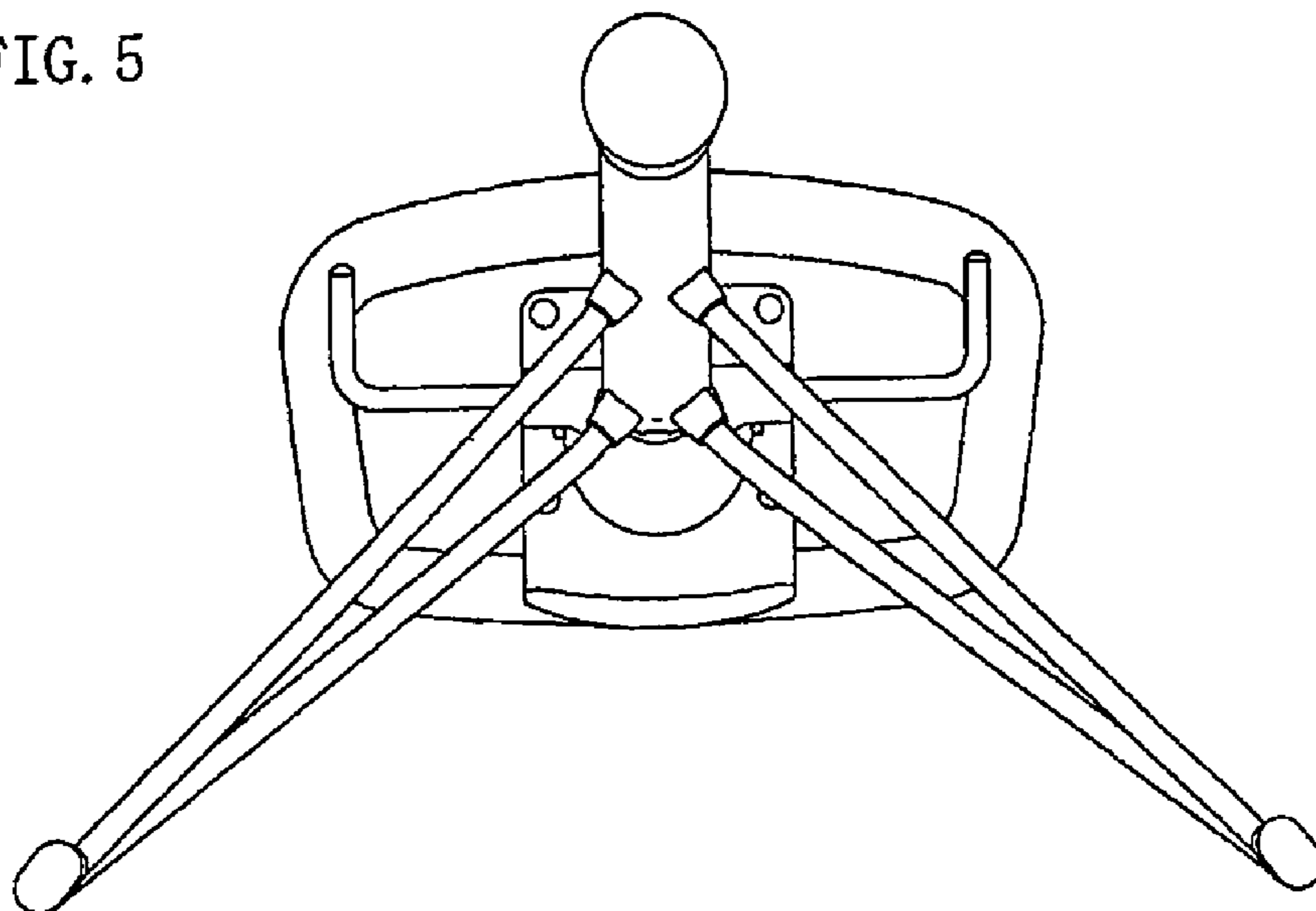


FIG. 6

