



US00D586572S

(12) **United States Design Patent**
Collette

(10) **Patent No.:** **US D586,572 S**

(45) **Date of Patent:** **** Feb. 17, 2009**

(54) **STOOL**

(75) Inventor: **Frederic Collette**, Frederiksberg C (DK)

(73) Assignee: **Frederic Collette APS**, Frederiksberg C (DK)

(**) Term: **14 Years**

(21) Appl. No.: **29/295,541**

(22) Filed: **Oct. 1, 2007**

(30) **Foreign Application Priority Data**

Mar. 29, 2007 (EM) 000698535-0001

(51) **LOC (9) Cl.** **06-01**

(52) **U.S. Cl.** **D6/349**

(58) **Field of Classification Search** D6/349-353,
D6/355, 363, 364, 500-502, 511; 297/16.1,
297/118, 175, 195.1, 423.1, 423.14, 423.39,
297/423.41, 440.1, 440.12, 461, 462; 108/150
See application file for complete search history.

(56) **References Cited**

U.S. PATENT DOCUMENTS

1,811,674 A * 6/1931 Longley 108/171
D134,359 S * 11/1942 Warth, Sr. D6/336
2,667,658 A * 2/1954 Cornick 15/265

3,099,398 A * 7/1963 Croteau 362/131
4,191,113 A * 3/1980 Hogberg 108/157.16
D539,552 S * 4/2007 Dalmau D6/349

* cited by examiner

Primary Examiner—Sandra Snapp

(74) *Attorney, Agent, or Firm*—Klein, O’Neill & Singh, LLP

(57) **CLAIM**

The ornamental design for a stool, as shown and described.

DESCRIPTION

FIG. 1 is a rear elevational view of a stool, in accordance with my new design;

FIG. 2 is a bottom plan view of the stool of FIG. 1, the broken line showing of four small rectangular areas being for the purpose of illustrating recesses in the surface shown, the recesses forming no part of the claimed design;

FIG. 3 is a front elevational view of the stool of FIG. 1;

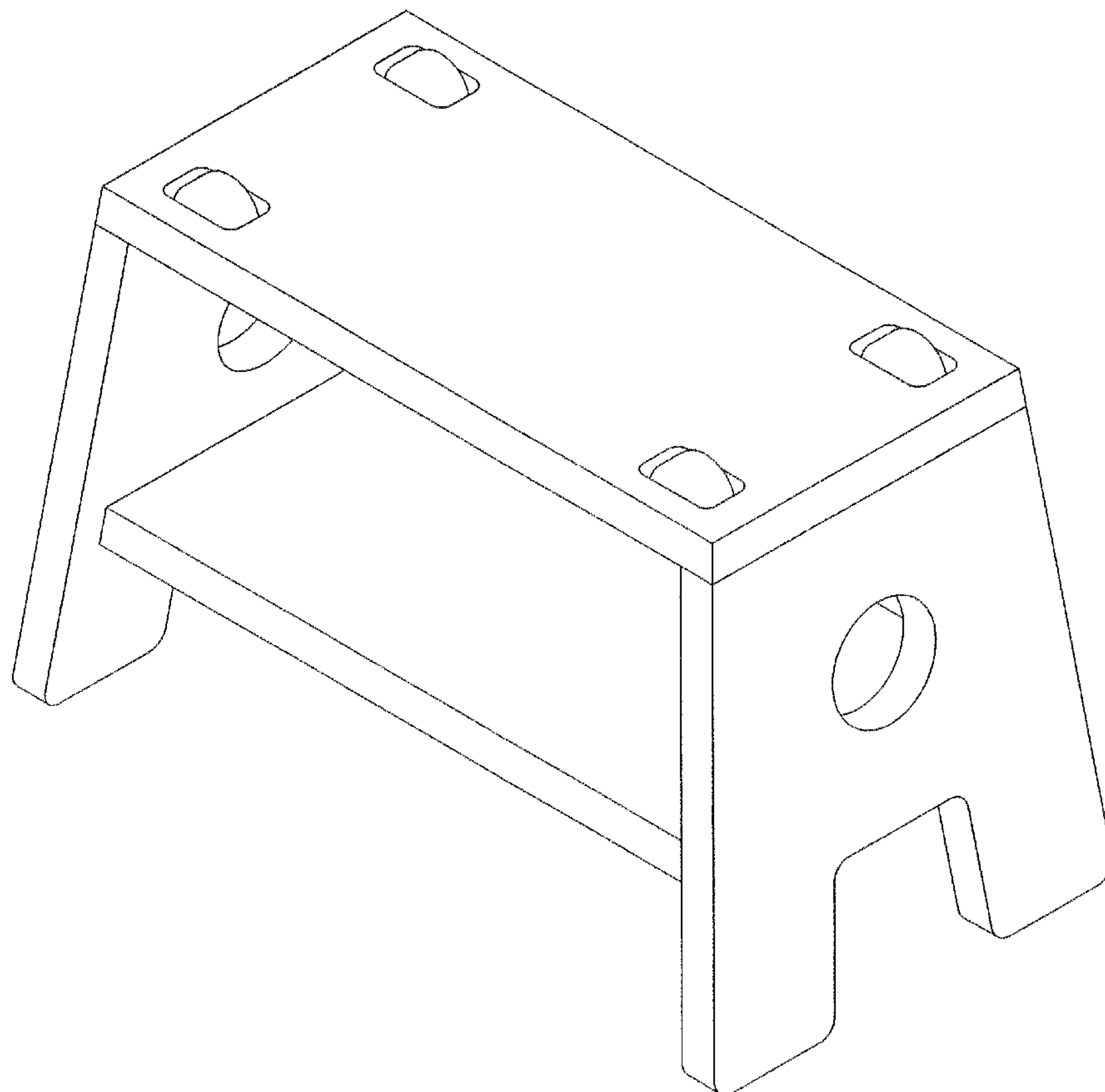
FIG. 4 is a left side elevational view of the stool of FIG. 1;

FIG. 5 is a right side elevational view of the stool of FIG. 1;

FIG. 6 is a top plan view of the stool of FIG. 1, the broken lines on either side of each roller being for the purpose of illustrating axles which form no part of the claimed design; and,

FIG. 7 is a top, front perspective view of the stool of FIG. 1.

1 Claim, 7 Drawing Sheets



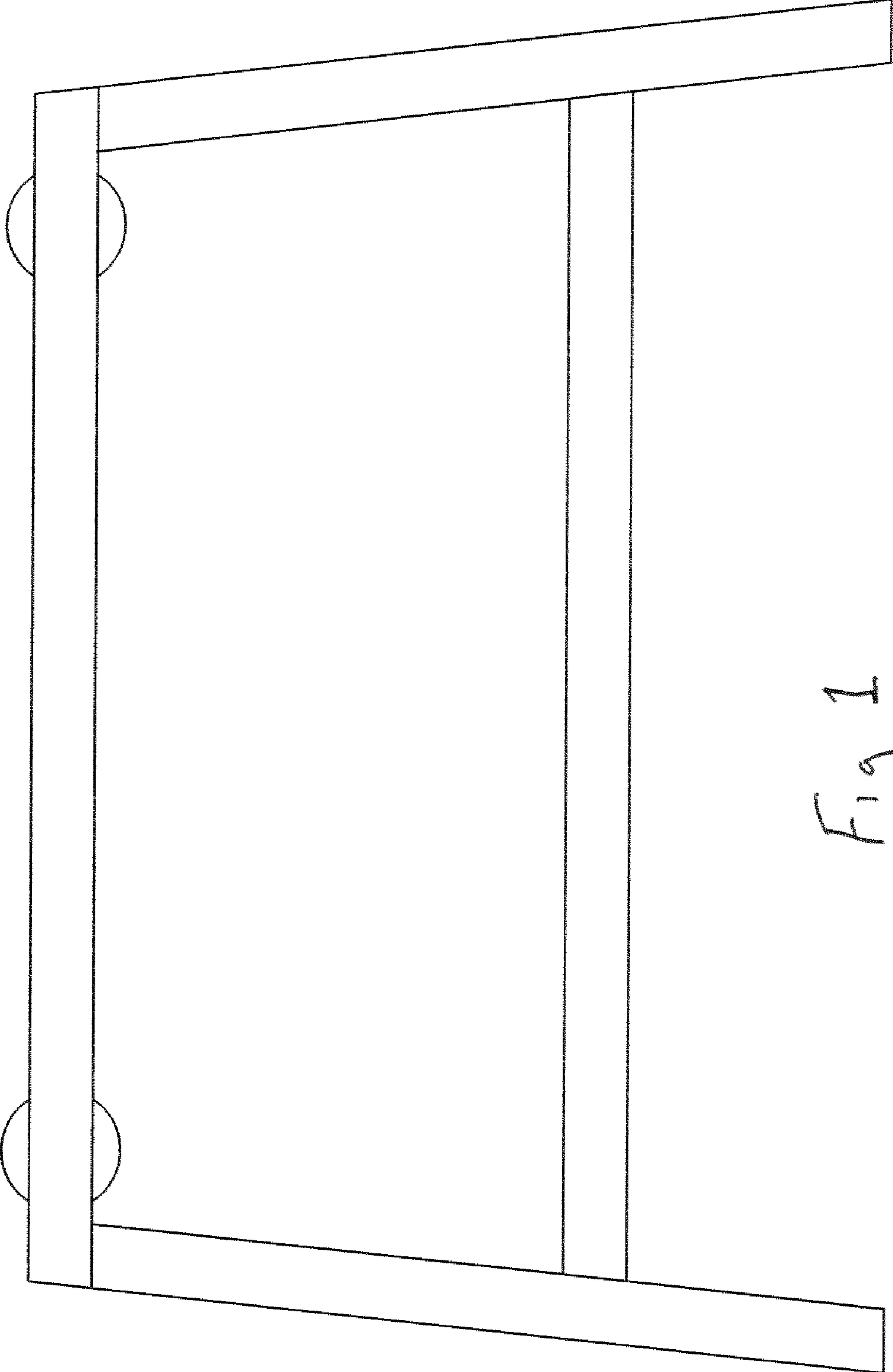


Fig 1

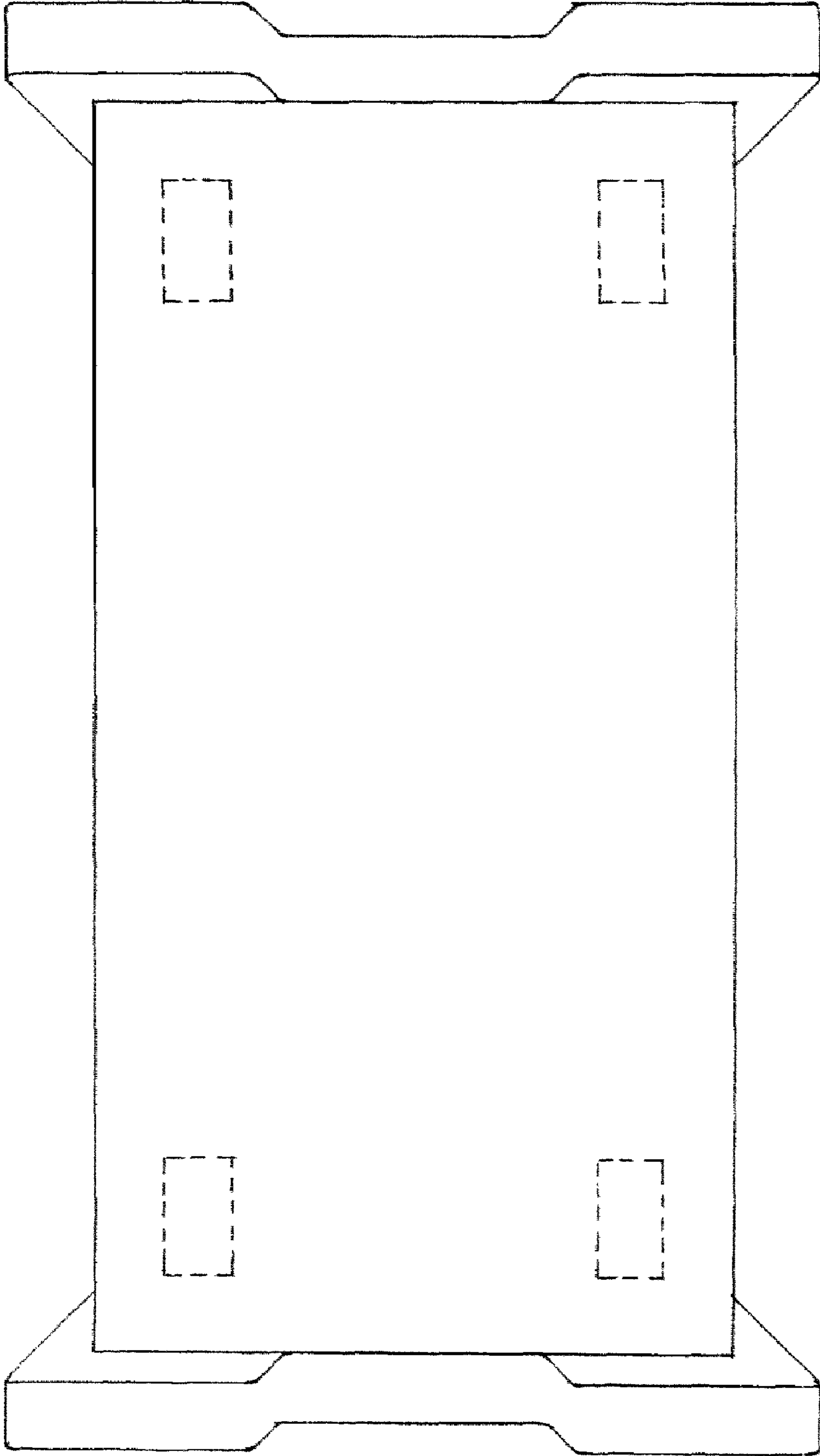


FIG. 2

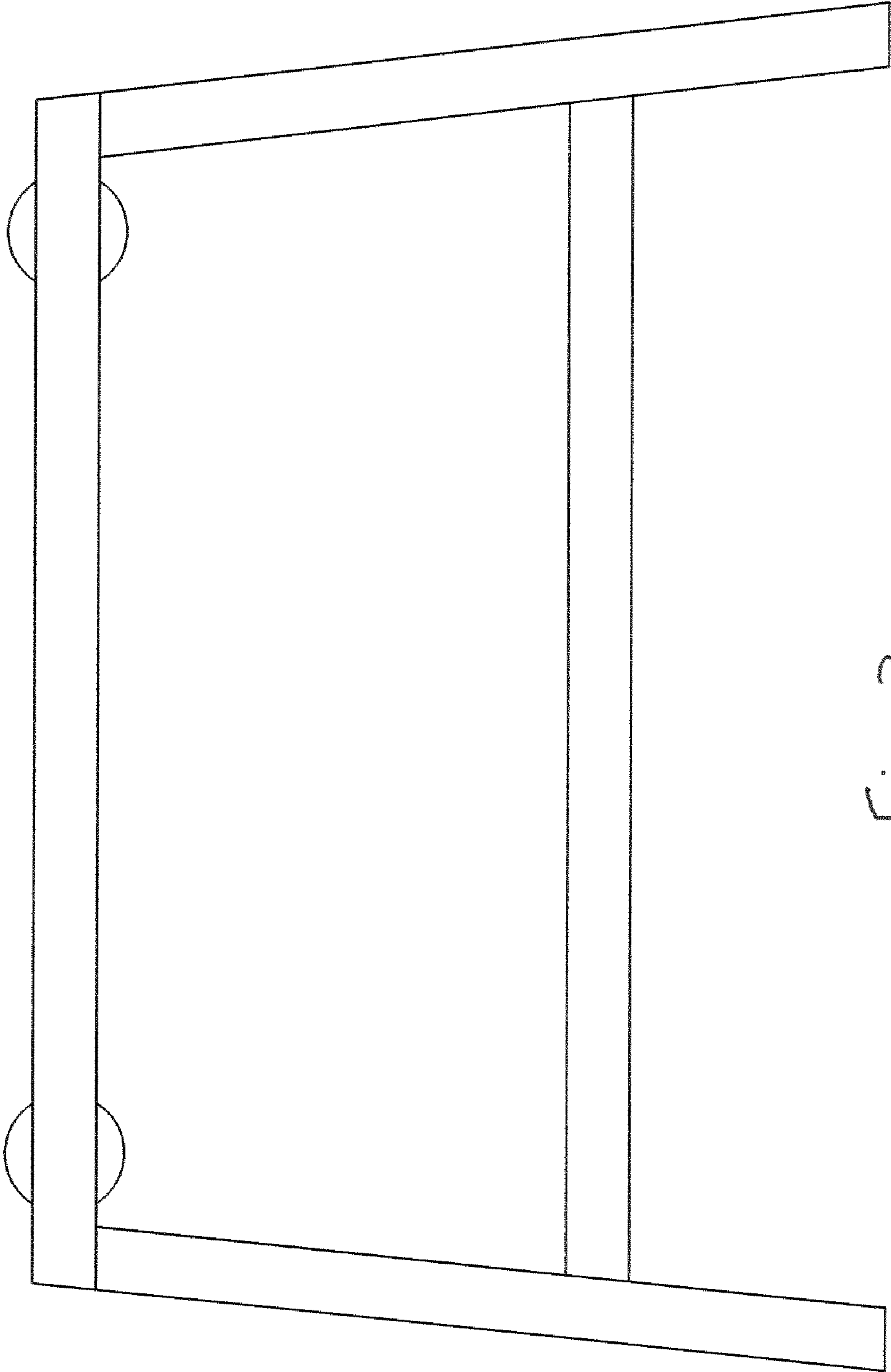


Fig 3

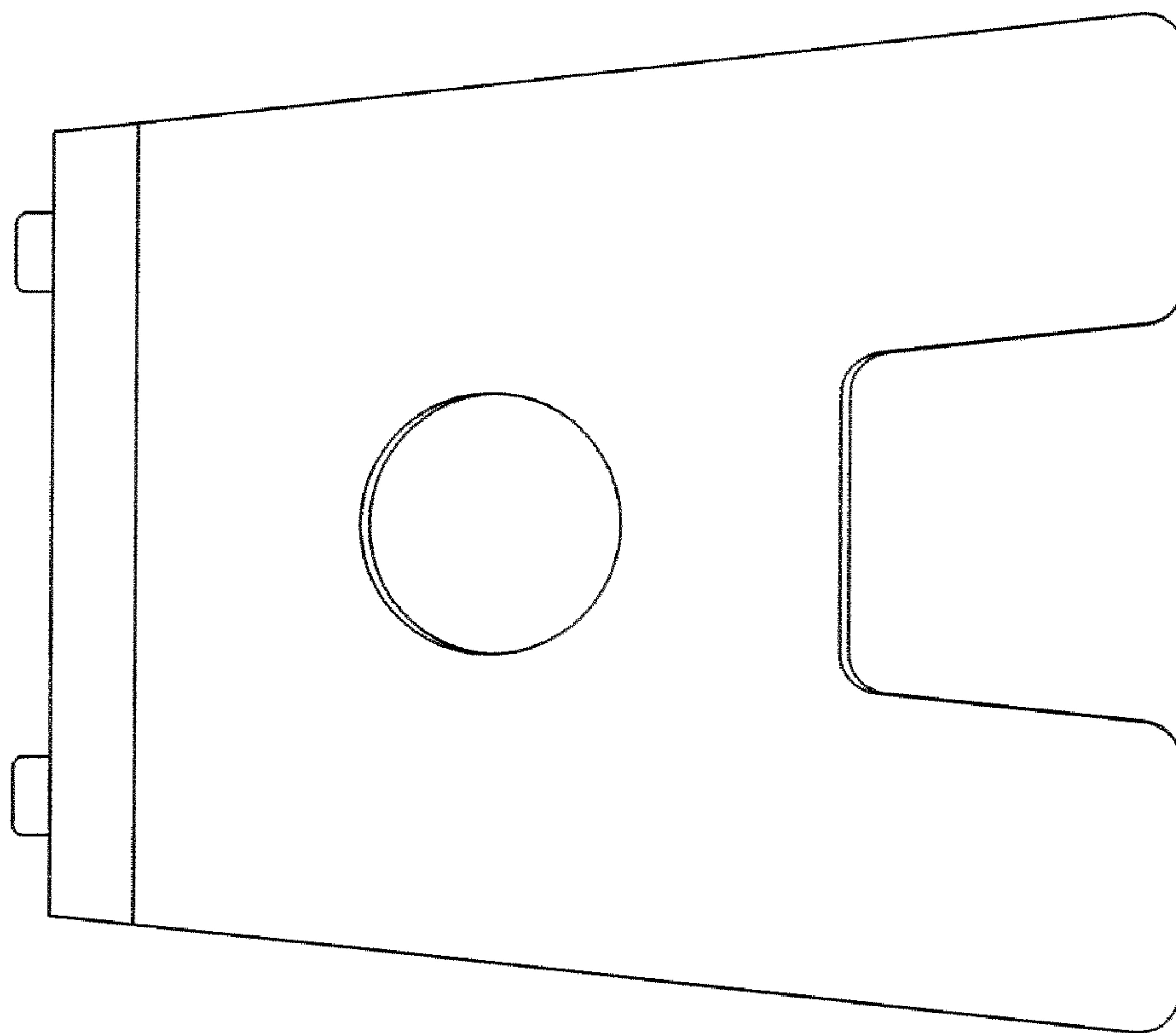


Fig 4

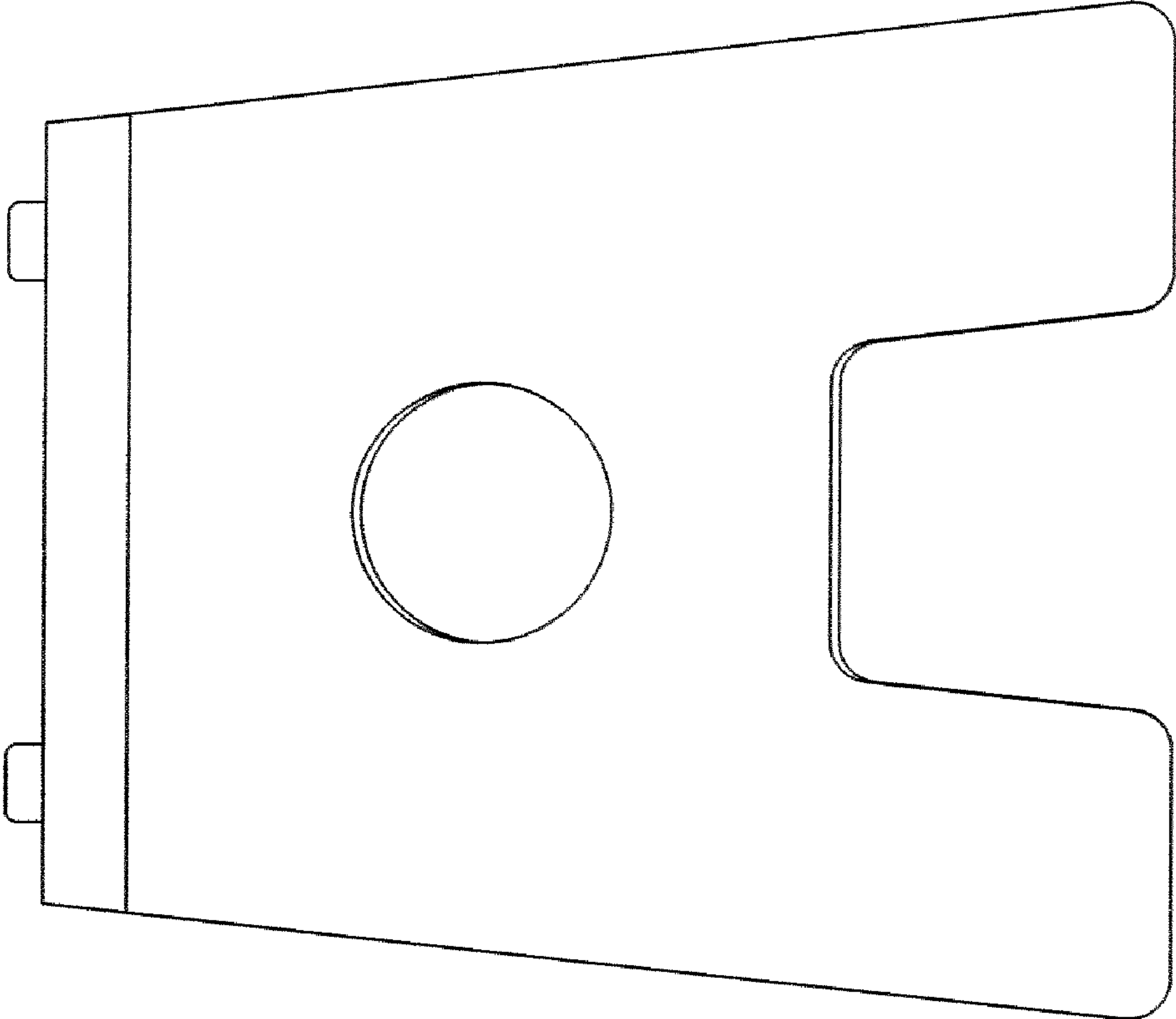


Fig 5

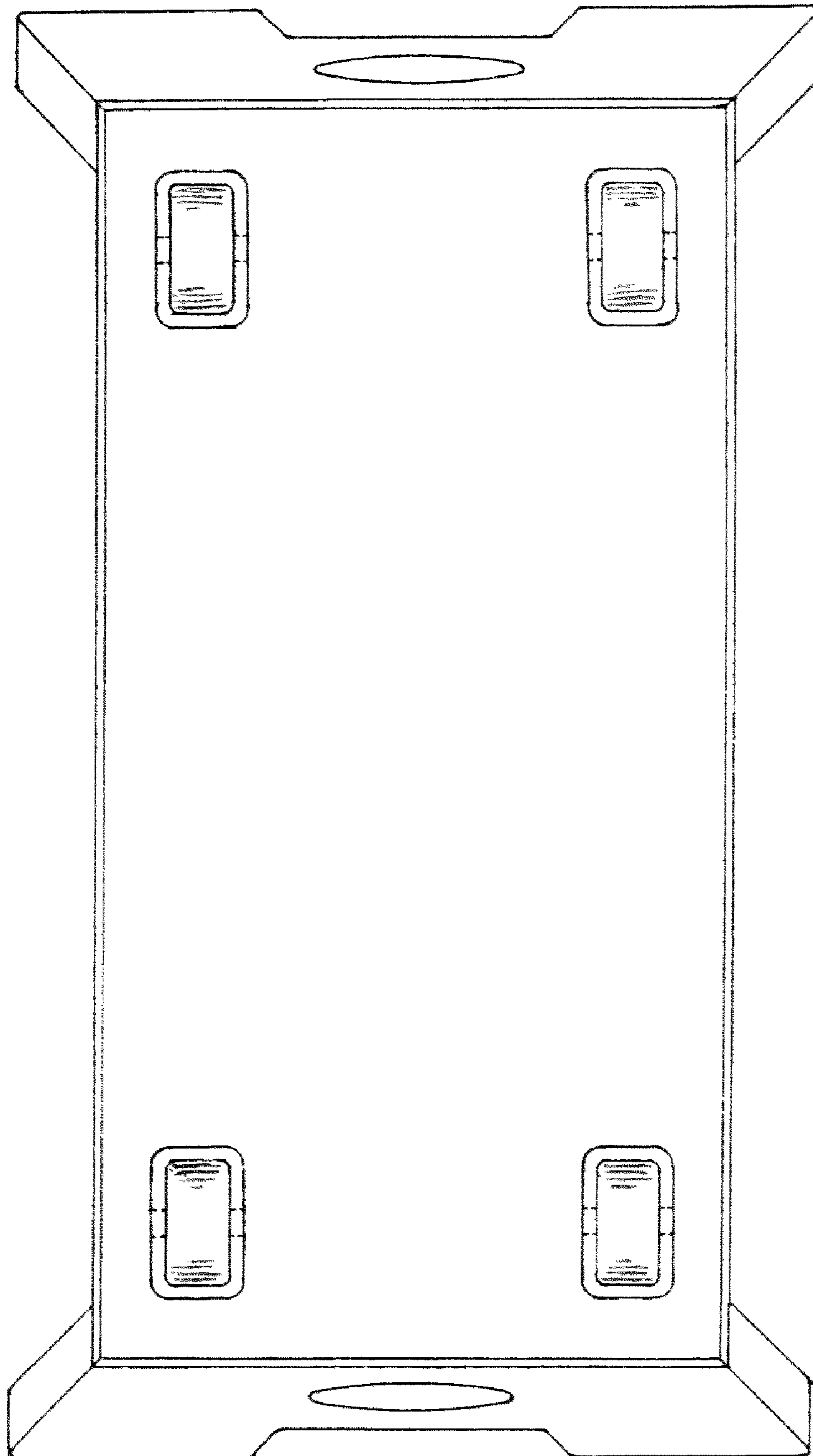


FIG. 6

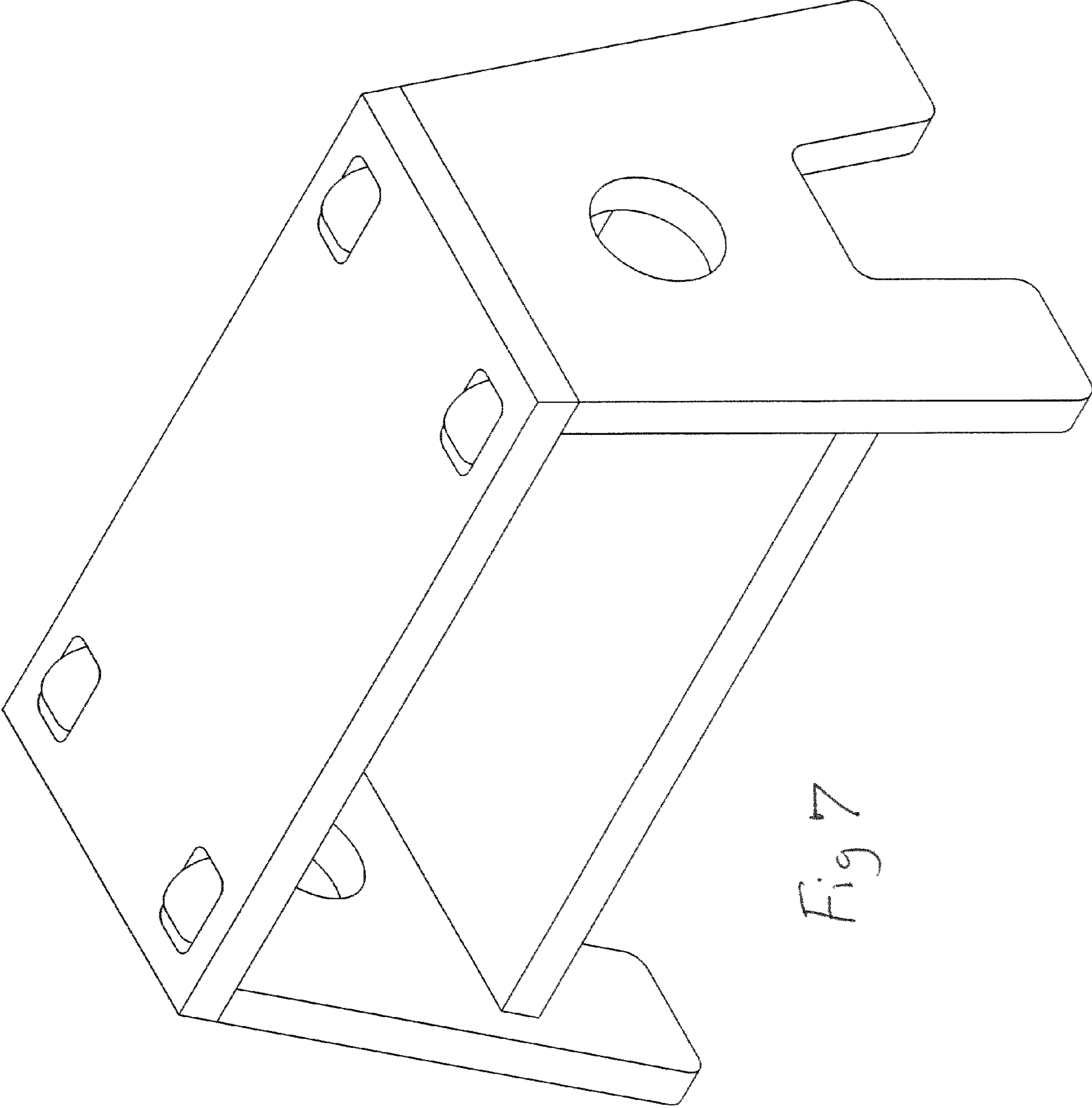


Fig 7