



US00D586568S

(12) **United States Design Patent**  
**Jones**

(10) **Patent No.:** **US D586,568 S**  
(45) **Date of Patent:** **\*\* Feb. 17, 2009**

(54) **GARMENT HANGER**  
(75) Inventor: **Michael Edward Jones**, Flintshire (GB)  
(73) Assignee: **Mainetti, (UK) Limited** (GB)  
(\*\*) Term: **14 Years**  
(21) Appl. No.: **29/317,211**  
(22) Filed: **Apr. 24, 2008**

D466,705 S \* 12/2002 Hawkins ..... D6/328  
D518,838 S \* 4/2006 Singleton ..... D6/326  
D518,839 S \* 4/2006 Singleton ..... D6/326  
D569,631 S \* 5/2008 Hansen ..... D6/326

\* cited by examiner

*Primary Examiner*—Stella M Reid  
*Assistant Examiner*—Shanda C Hill  
(74) *Attorney, Agent, or Firm*—Jack Schwartz Associates, PLLC

(30) **Foreign Application Priority Data**  
Oct. 25, 2007 (GB) ..... 4005065  
(51) **LOC (9) Cl.** ..... **06-08**  
(52) **U.S. Cl.** ..... **D6/326**  
(58) **Field of Classification Search** ..... D6/315,  
D6/318, 319, 325, 326, 328; 211/1, 13.1,  
211/85.03, 86.01, 106, 183; 223/85-98;  
D8/370  
See application file for complete search history.

(57) **CLAIM**

The ornamental design for a garment hanger, as shown and described.

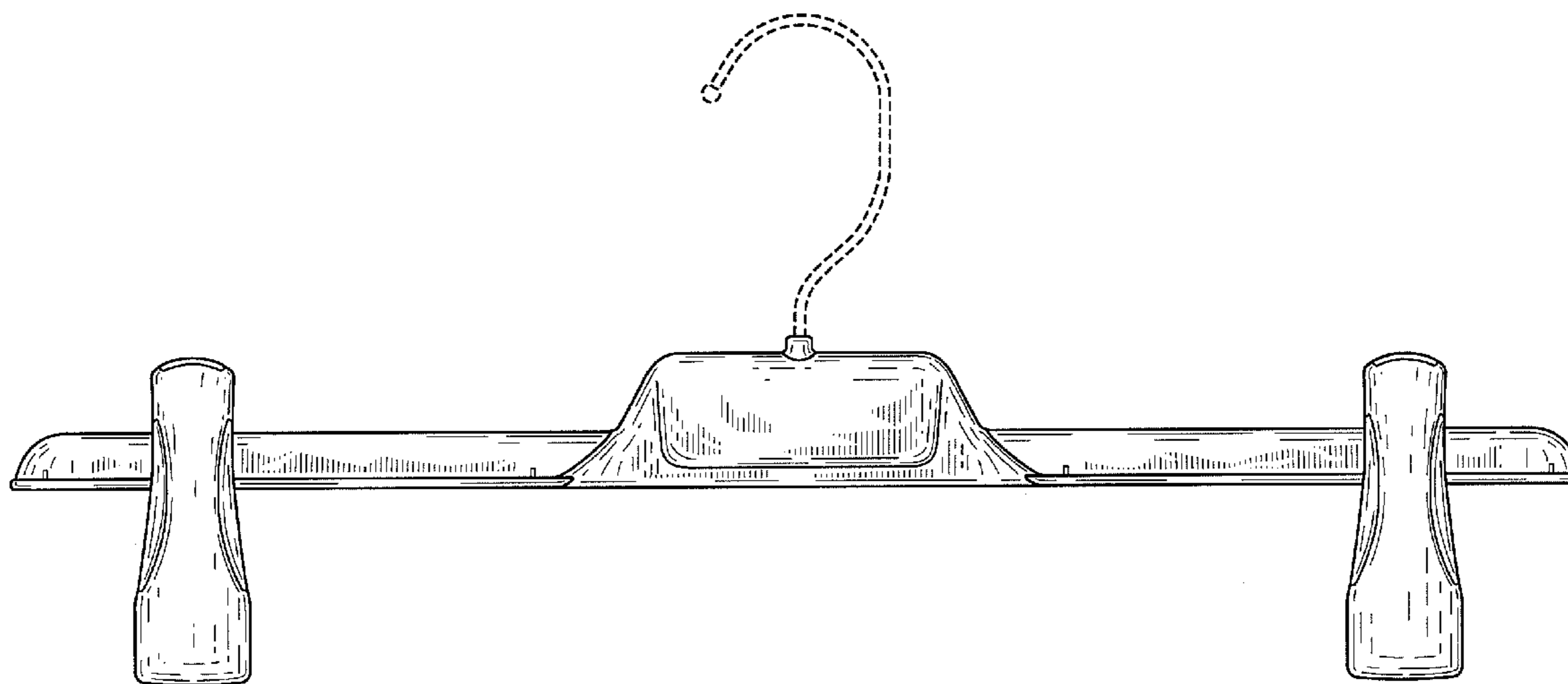
**DESCRIPTION**

FIG. 1 is a top view of the garment hanger;  
FIG. 2 is a front view of the garment hanger;  
FIG. 3 is a right side view of the garment hanger;  
FIG. 4 is a back view of the garment hanger;  
FIG. 5 is a bottom view of the garment hanger; and,  
FIG. 6 is a left side view of the garment hanger.

The broken lines shown in the drawing disclosure are for illustrative purposes only and form no part of the claimed design.

(56) **References Cited**  
U.S. PATENT DOCUMENTS  
D301,808 S \* 6/1989 Marshall ..... D6/326  
6,116,482 A \* 9/2000 Heiber ..... 223/96  
D454,257 S \* 3/2002 Hunt ..... D6/328  
D466,311 S \* 12/2002 Hawkins ..... D6/328  
D466,704 S \* 12/2002 Hawkins ..... D6/328

**1 Claim, 6 Drawing Sheets**



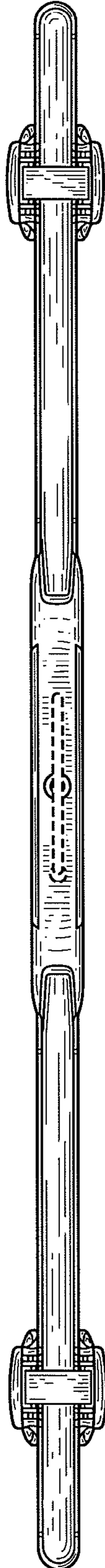


FIG. 1

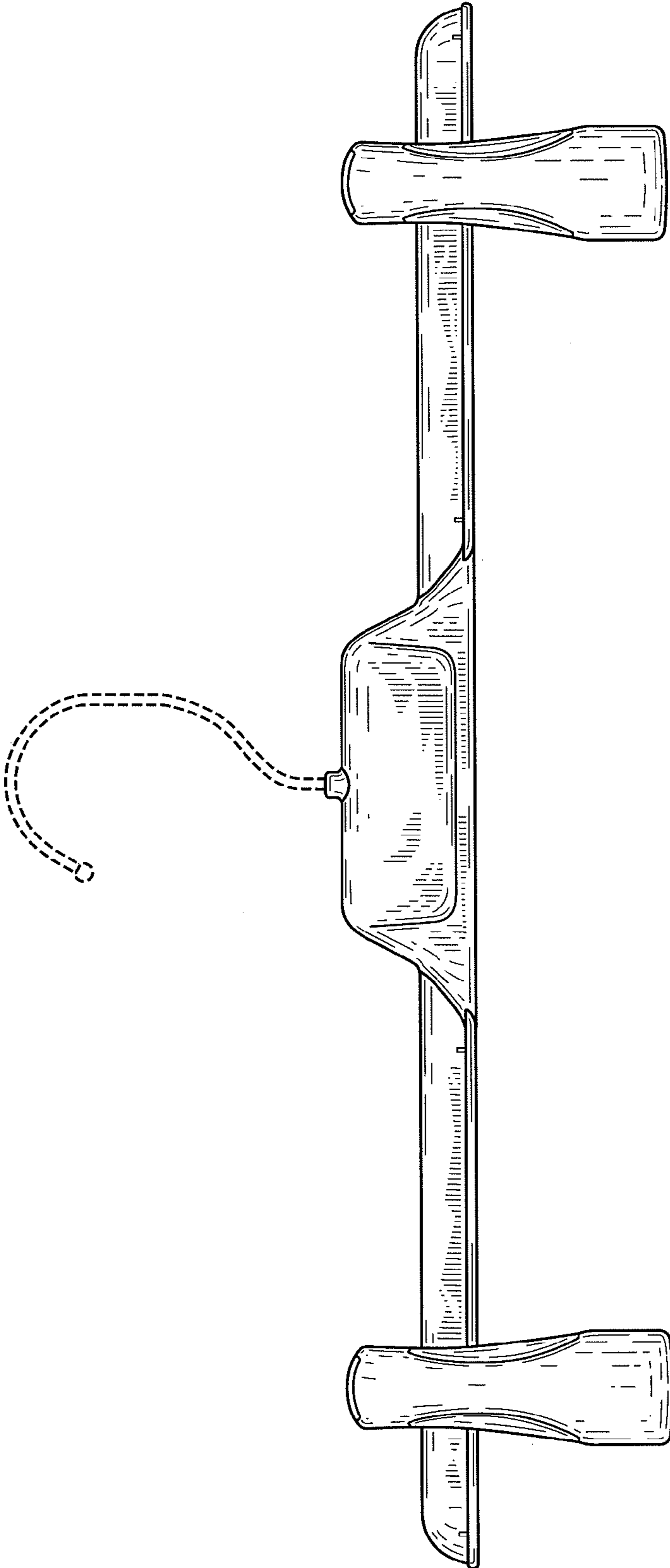


FIG. 2

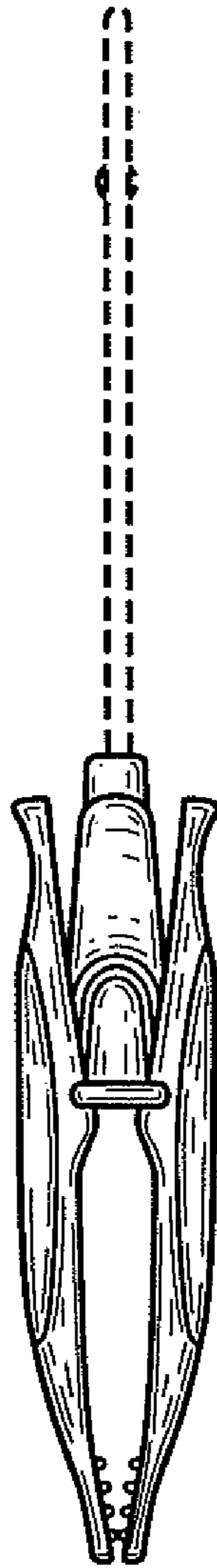


FIG. 3

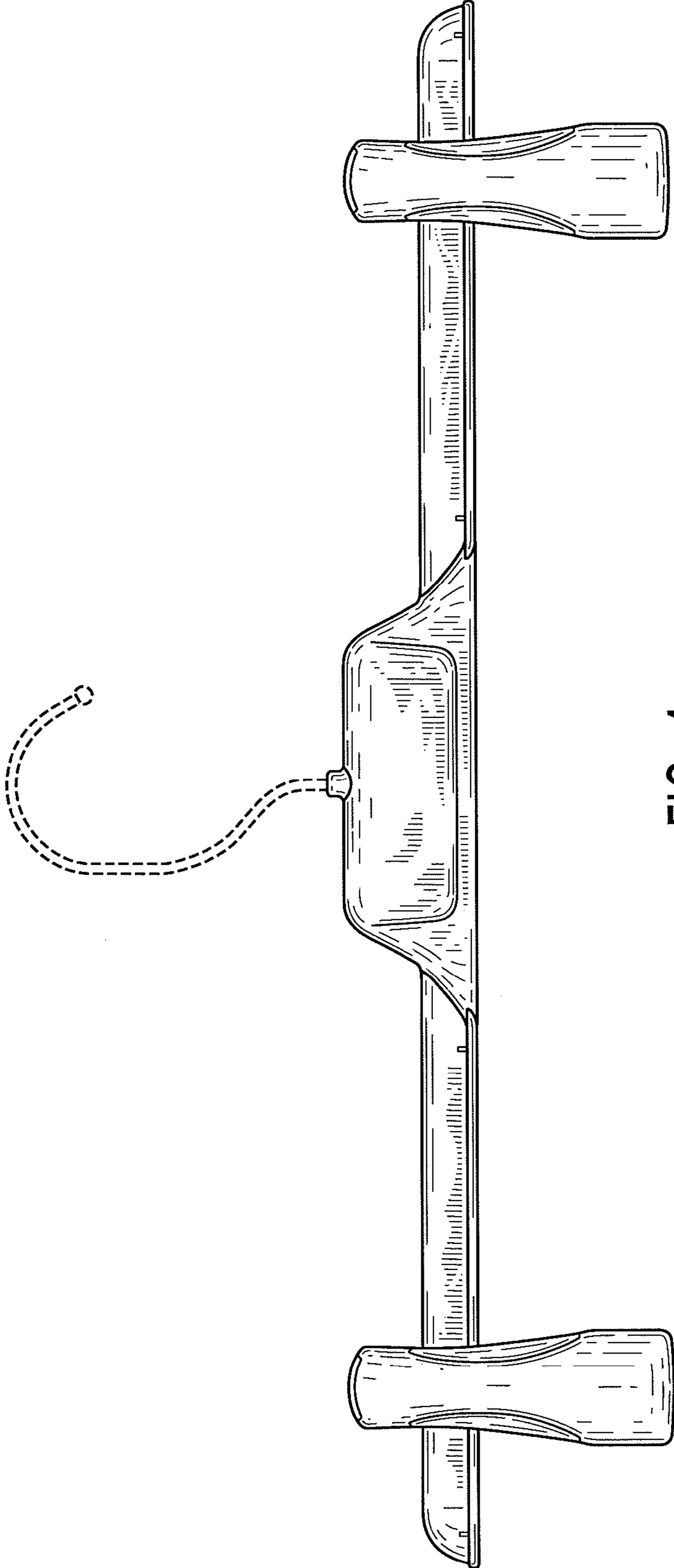


FIG. 4

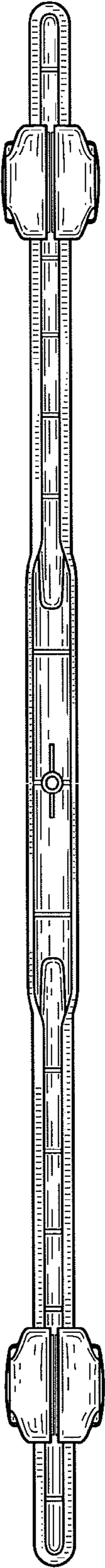


FIG. 5

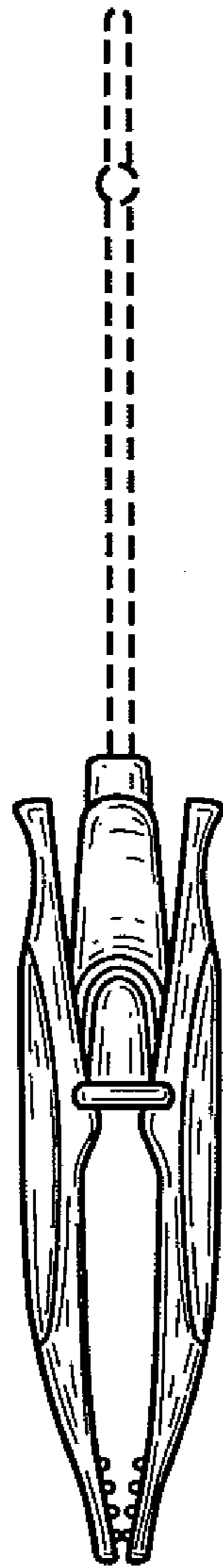


FIG. 6