



US00D586566S

(12) **United States Design Patent**
Ko et al.

(10) **Patent No.:** **US D586,566 S**
(45) **Date of Patent:** **** Feb. 17, 2009**

(54) **DIGITAL PHOTO FRAME**

(75) Inventors: **Ti-Chieh Ko**, Taipei (TW); **Mei-Chun Liu**, Taipei (TW)

(73) Assignee: **IPEVO Corp.**, Taipei (TW)

(**) Term: **14 Years**

(21) Appl. No.: **29/290,847**

(22) Filed: **Jan. 22, 2008**

(51) **LOC (9) Cl.** **06-07**

(52) **U.S. Cl.** **D6/312**

(58) **Field of Classification Search** D6/300,
D6/308, 310–312; 40/714, 735, 700, 720;
D14/374, 371, 336, 125–129; D10/15, 26
See application file for complete search history.

(56) **References Cited**

U.S. PATENT DOCUMENTS

D422,576 S *	4/2000	Chuo et al.	D14/375
D475,687 S *	6/2003	Goto	D14/126
D503,114 S *	3/2005	Tse	D10/15
D517,430 S *	3/2006	TerMeer et al.	D10/15
D540,797 S *	4/2007	Chen et al.	D14/375
D541,278 S *	4/2007	Hsu et al.	D14/375

* cited by examiner

Primary Examiner—Janice E Seeger
Assistant Examiner—Sydney R Buffalow

(74) *Attorney, Agent, or Firm*—Bacon & Thomas, PLLC

(57) **CLAIM**

The ornamental design for a digital photo frame, as shown and described.

DESCRIPTION

FIG. 1 is a perspective view of a digital photo frame in accordance with our design;

FIG. 2 is a front view thereof;

FIG. 3 is a rear view thereof;

FIG. 4 is a left view thereof;

FIG. 5 is a right view thereof;

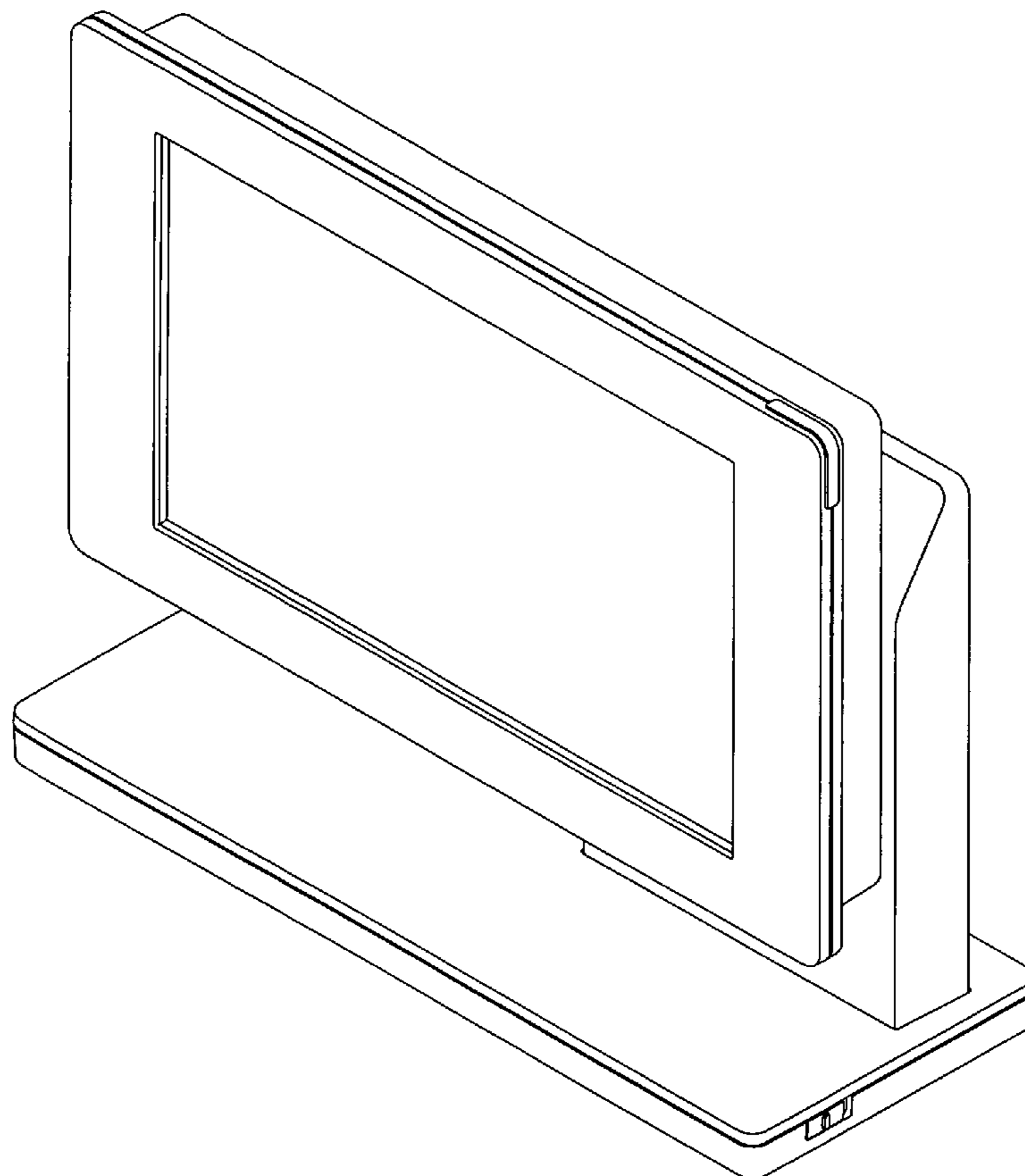
FIG. 6 is a top view thereof;

FIG. 7 is a bottom view thereof; and,

FIG. 8 is a front perspective view thereof shown in an alternative position.

The broken lines are for the illustrative purposes only and form no part of the claimed design.

1 Claim, 7 Drawing Sheets



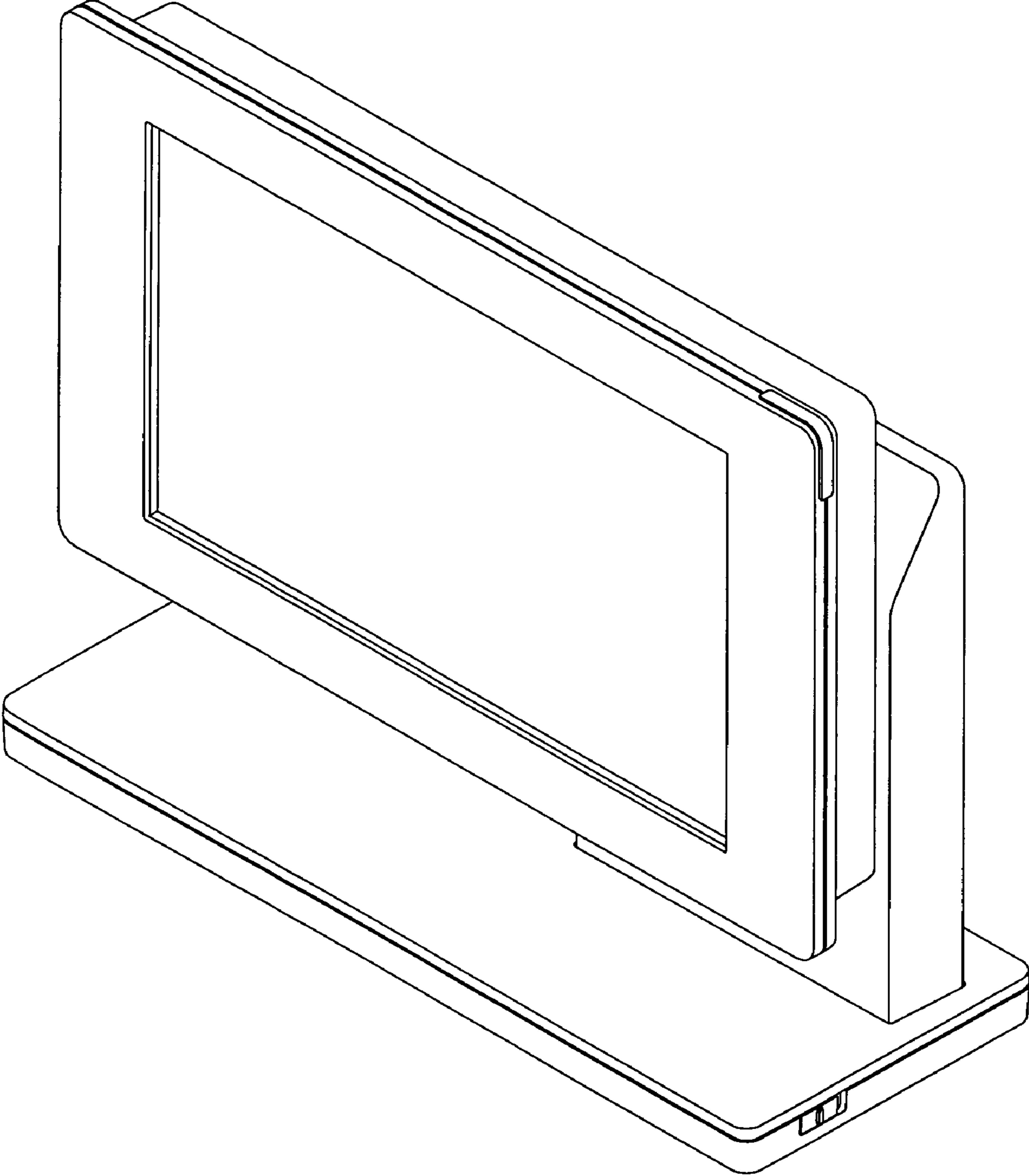


FIG. 1

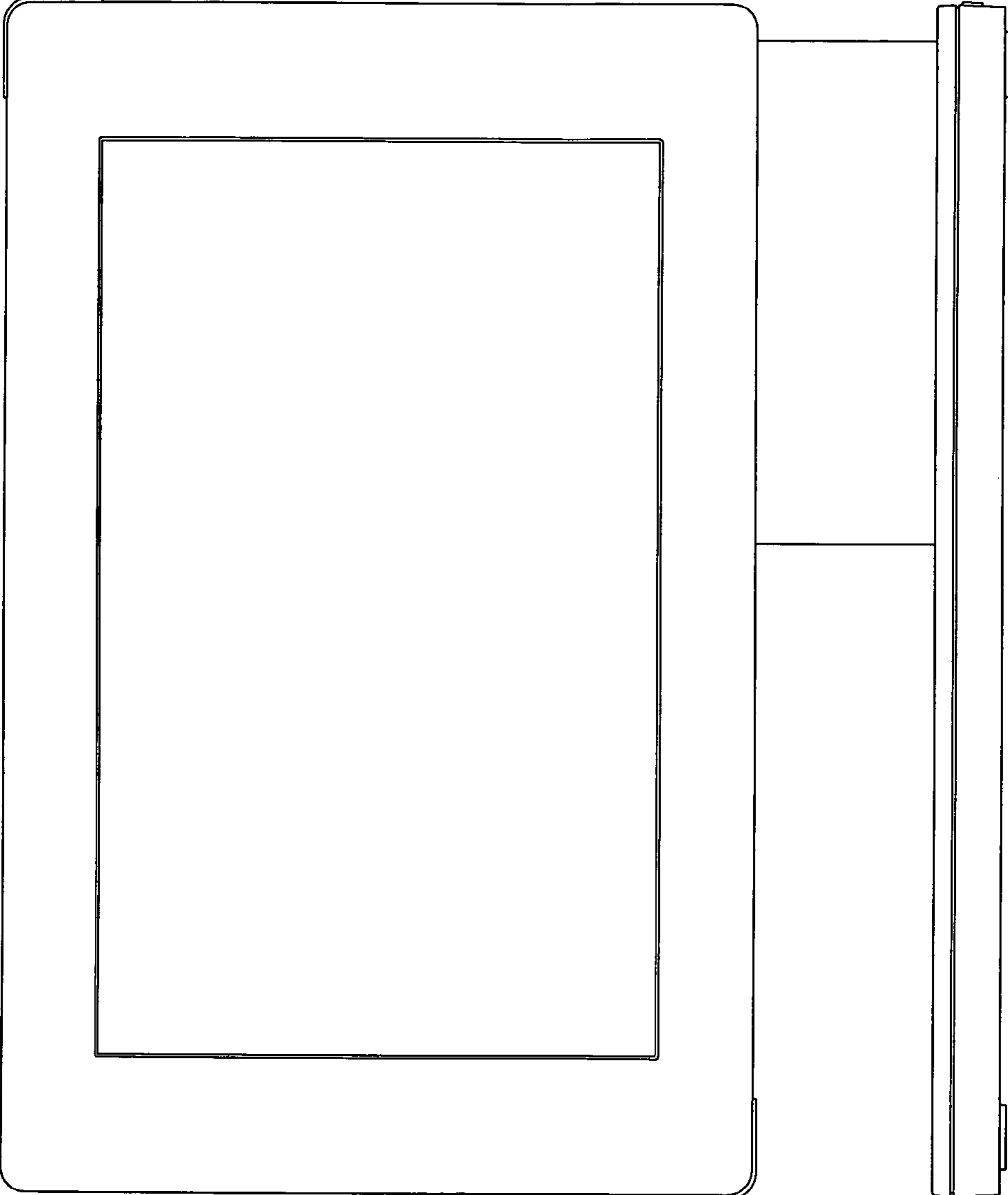


FIG. 2

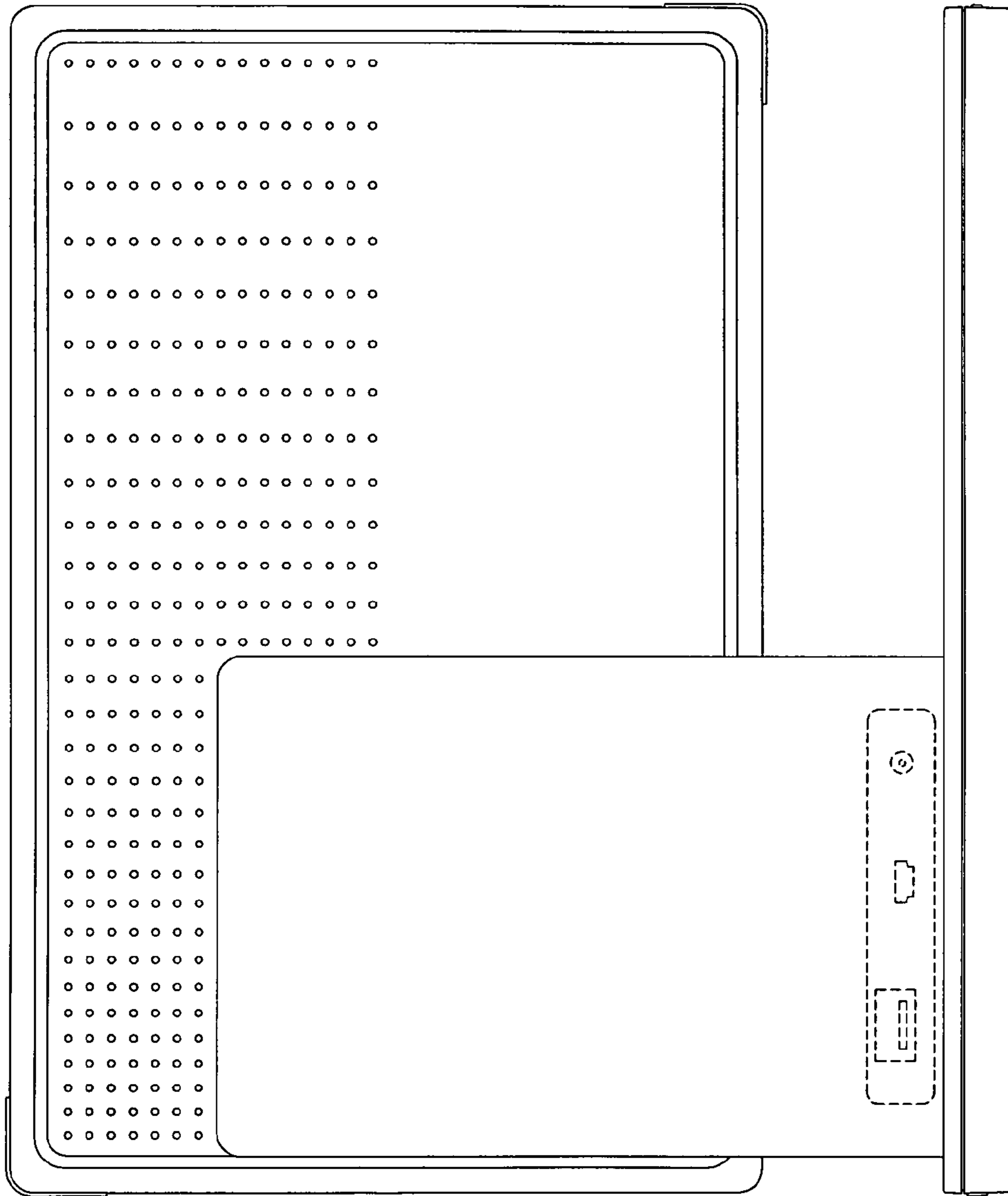


FIG. 3

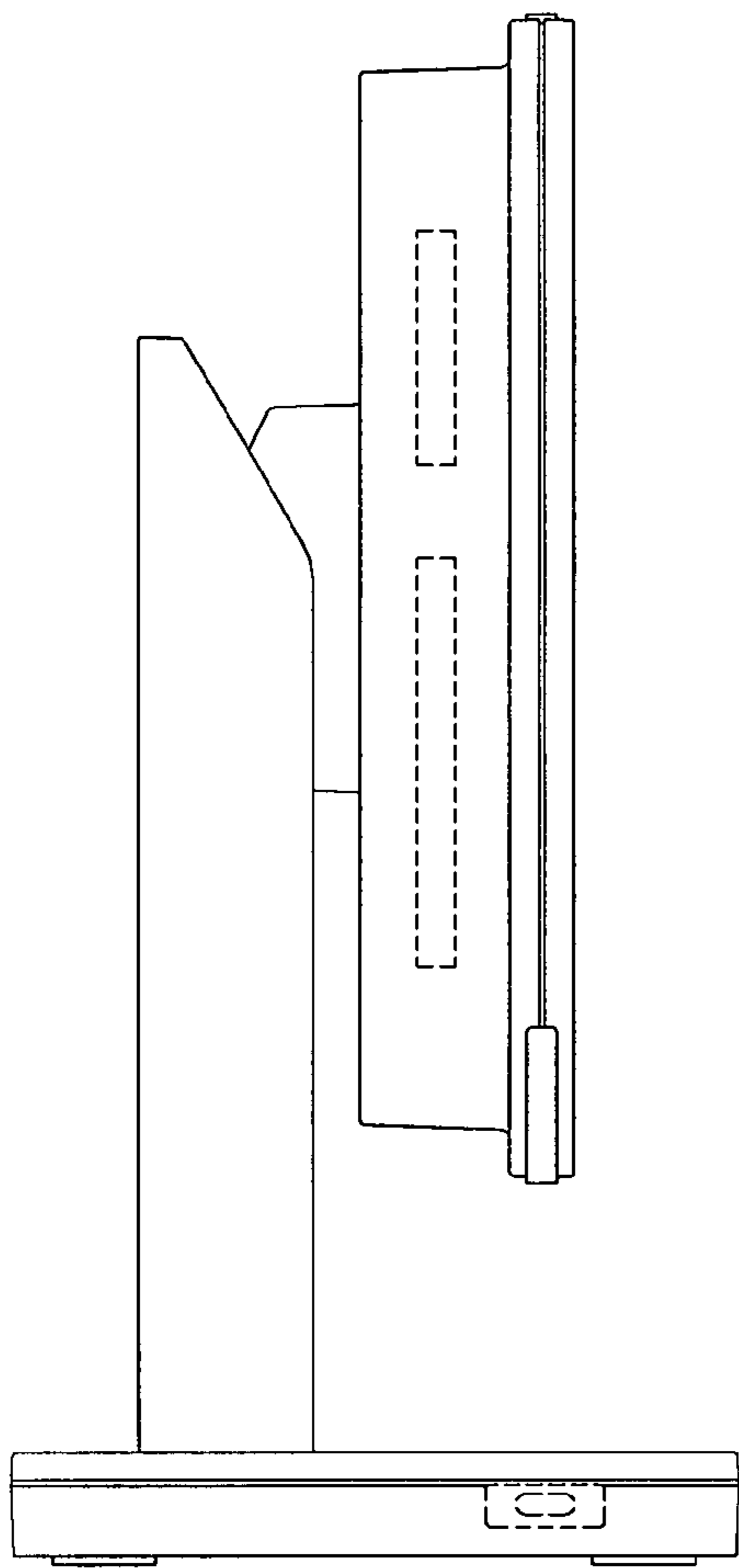


FIG. 4

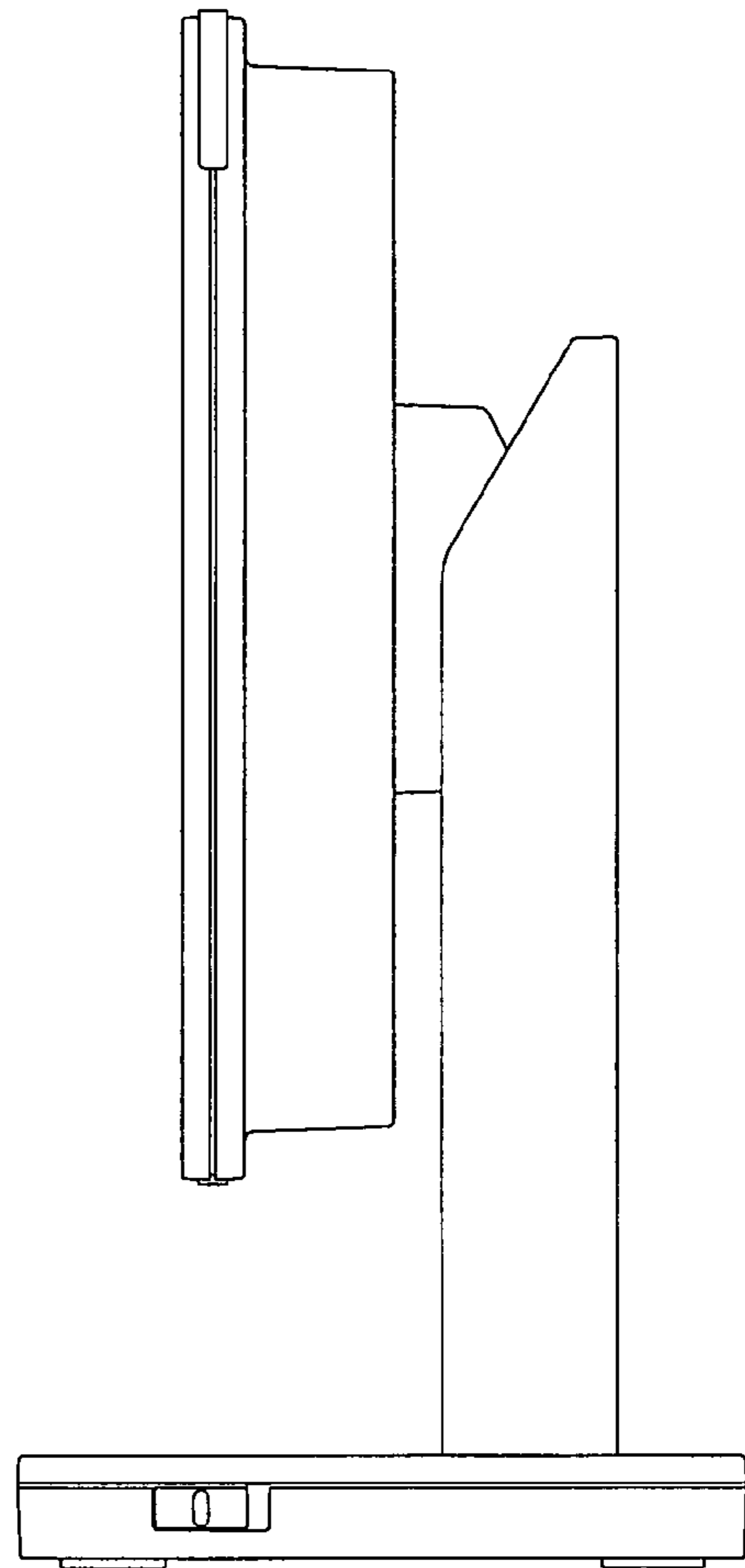


FIG. 5

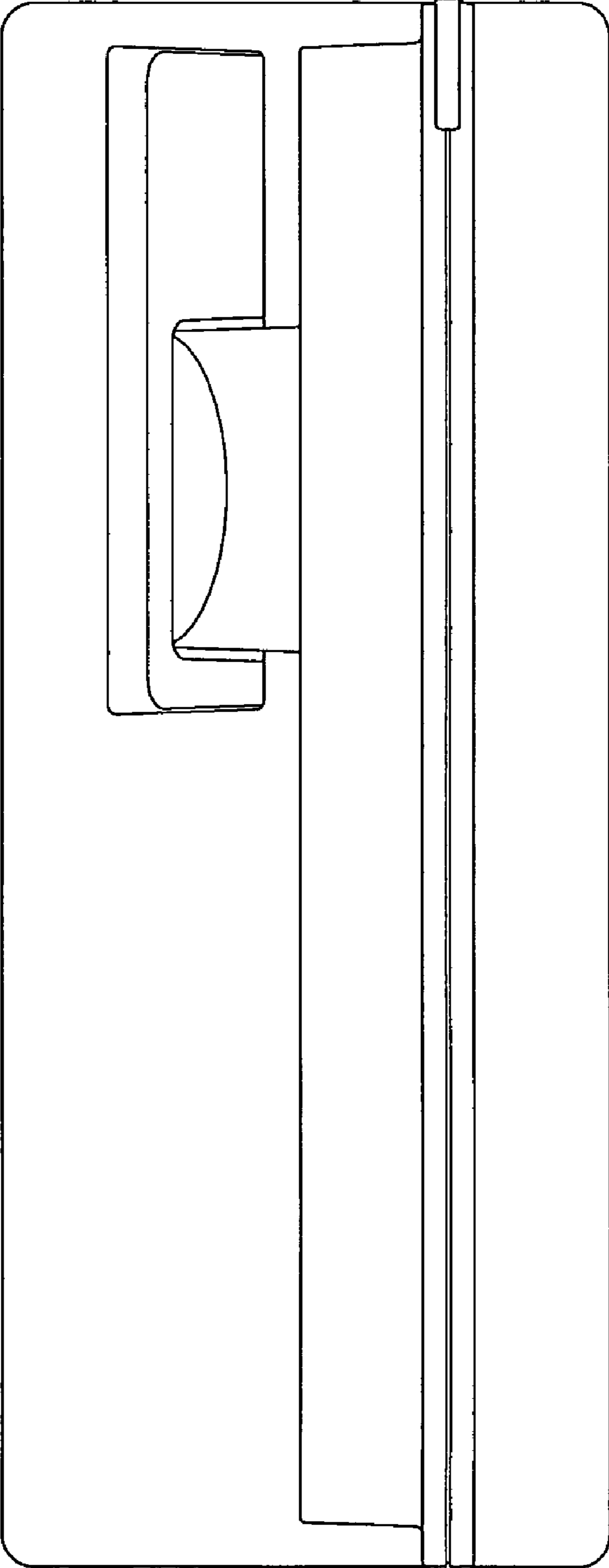


FIG. 6

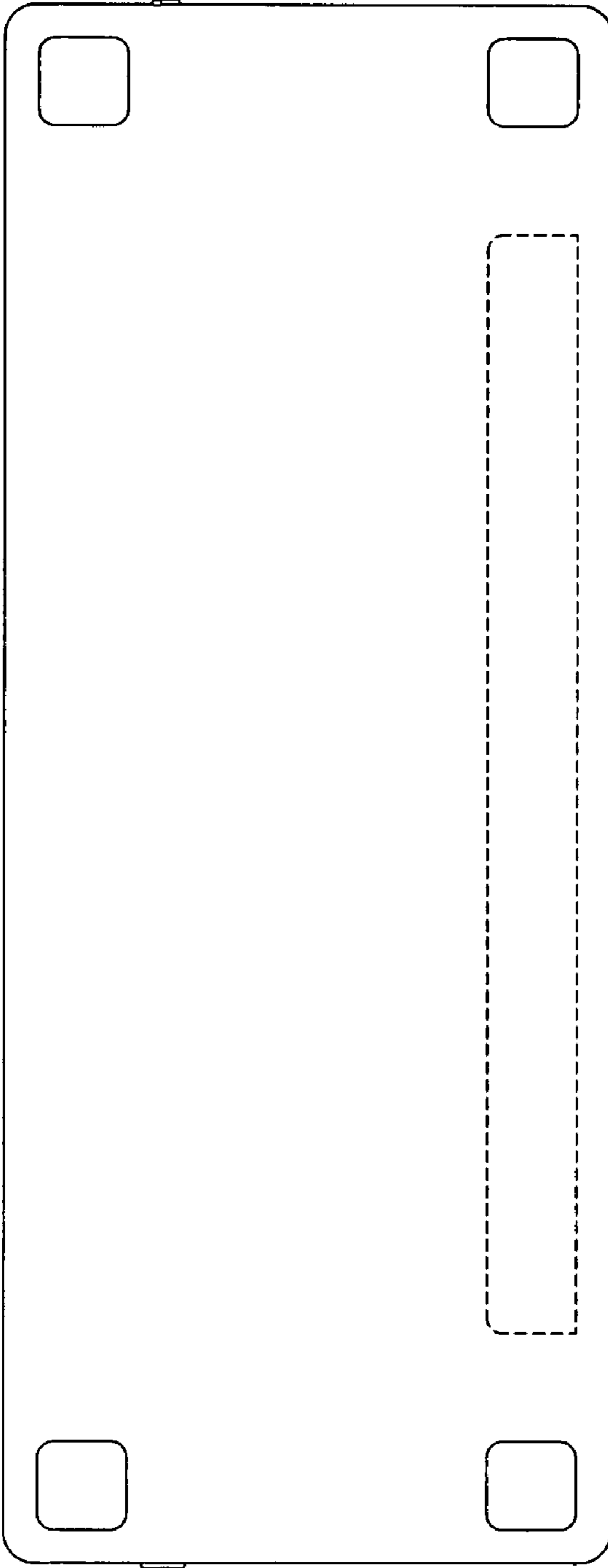


FIG. 7

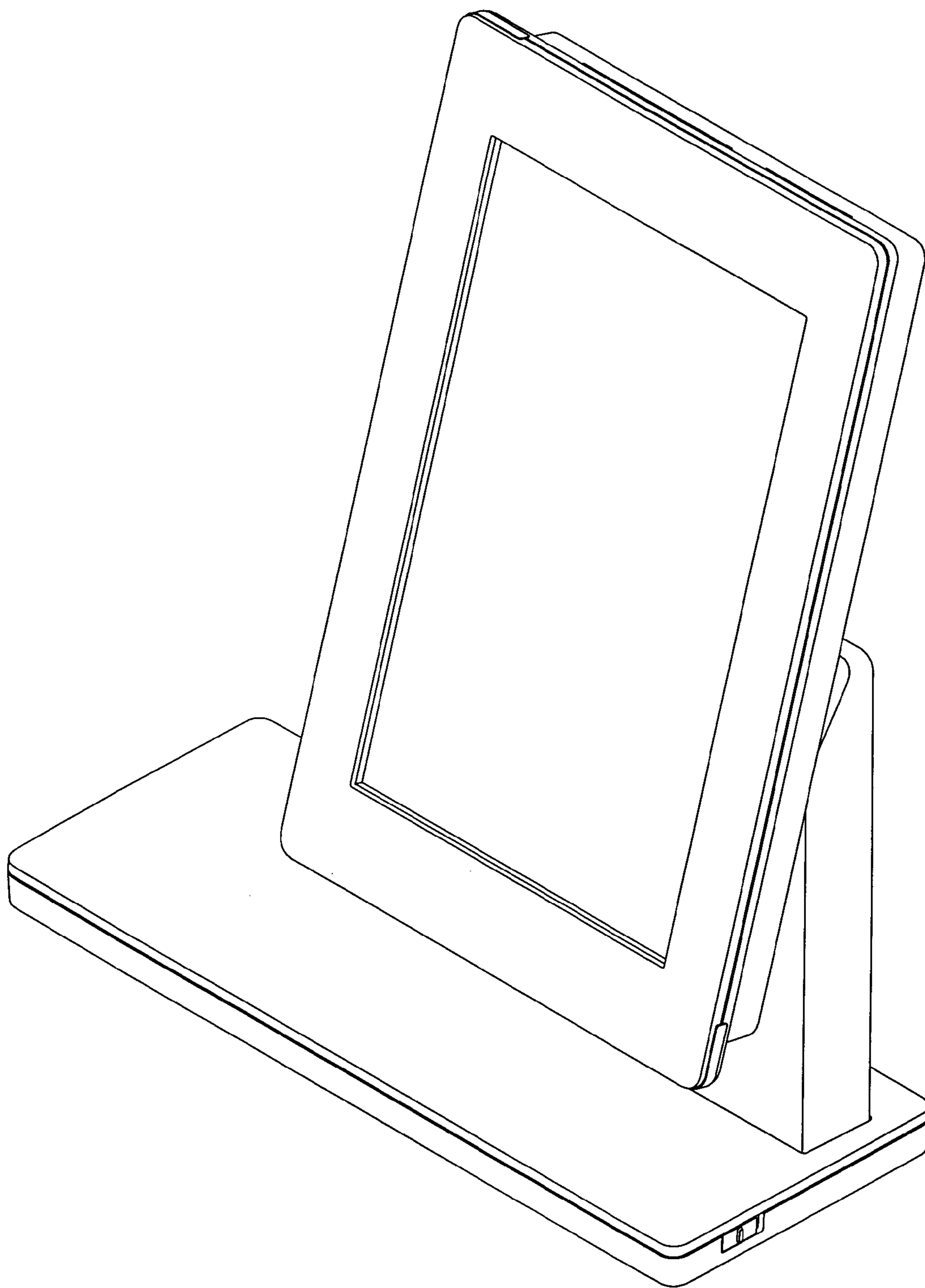


FIG. 8