



US00D586565S

(12) **United States Design Patent**  
**Ko et al.**

(10) **Patent No.:** **US D586,565 S**  
(45) **Date of Patent:** **\*\* Feb. 17, 2009**

(54) **DIGITAL PHOTO FRAME**

(75) Inventors: **Ti-Chieh Ko**, Taipei (TW); **Cheng-Han Hsieh**, Taipei (TW); **Yu-Chin Hsu**, Taipei (TW)

(73) Assignee: **Ipevo Corp.**, Taipei (TW)

(\*\*) Term: **14 Years**

(21) Appl. No.: **29/309,274**

(22) Filed: **Jul. 17, 2008**

(51) **LOC (9) Cl.** ..... **06-04**

(52) **U.S. Cl.** ..... **D6/308; D14/374**

(58) **Field of Classification Search** ..... D6/300-314;  
40/700, 729; D14/126, 375, 374, 371, 132,  
D14/186; D24/186

See application file for complete search history.

(56) **References Cited**

**U.S. PATENT DOCUMENTS**

D310,919 S	*	10/1990	Sakai	.....	D6/311
D464,348 S	*	10/2002	Takemasa et al.	.....	D14/375
D516,324 S	*	3/2006	Andrews et al.	.....	D6/300
D545,573 S	*	7/2007	Vincent	.....	D6/300
D547,739 S	*	7/2007	Lewis	.....	D14/126
D556,707 S	*	12/2007	Fujii	.....	D14/126
D558,351 S	*	12/2007	Diener et al.	.....	D24/186

D578,974 S \* 10/2008 Miyawaki ..... D14/132  
2007/0289187 A1 \* 12/2007 Vincent ..... 40/729

\* cited by examiner

*Primary Examiner*—Caron Veynar

*Assistant Examiner*—Sydney R Buffalow

(74) *Attorney, Agent, or Firm*—Bacon & Thomas, PLLC

(57) **CLAIM**

The ornamental design for a digital photo frame, as shown and described.

**DESCRIPTION**

FIG. 1 is a perspective view of a digital photo frame in accordance with our design;

FIG. 2 is a front view thereof;

FIG. 3 is a rear view thereof;

FIG. 4 is a left view thereof;

FIG. 5 is a right view thereof;

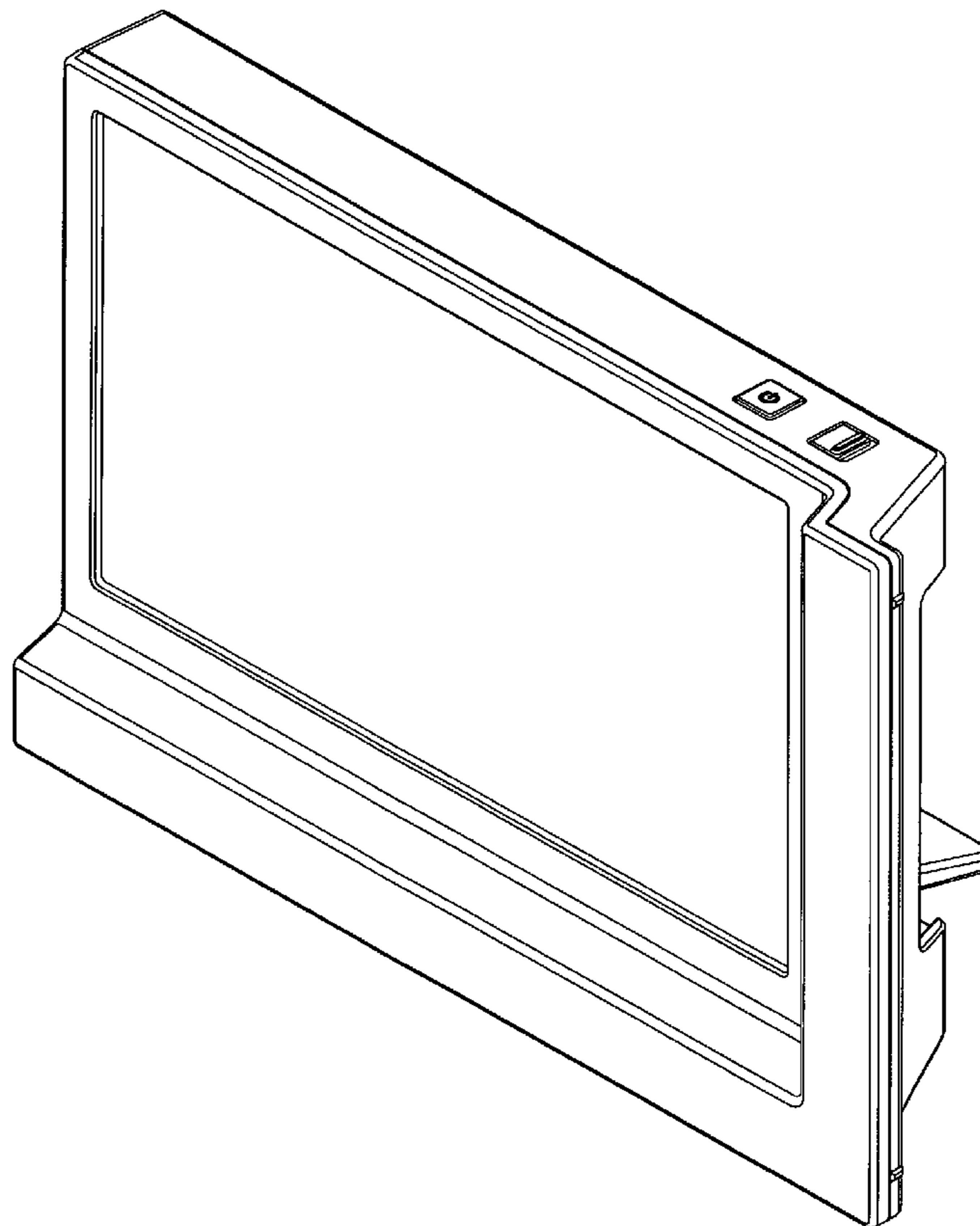
FIG. 6 is a top view thereof;

FIG. 7 is a bottom view thereof;

FIG. 8 is a rear perspective view thereof; and,

FIG. 9 is a front perspective view thereof shown in an alternative position.

**1 Claim, 9 Drawing Sheets**



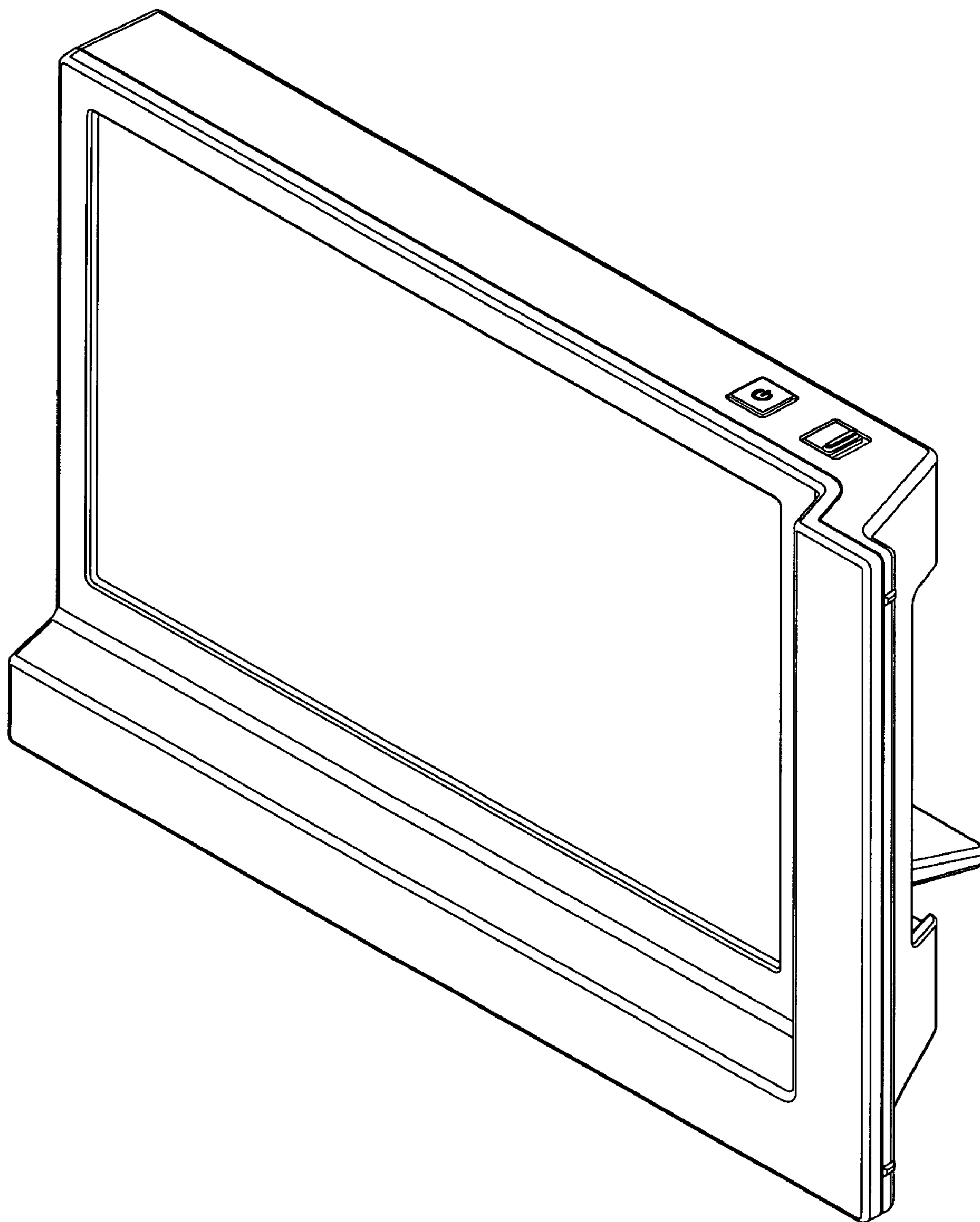


FIG. 1

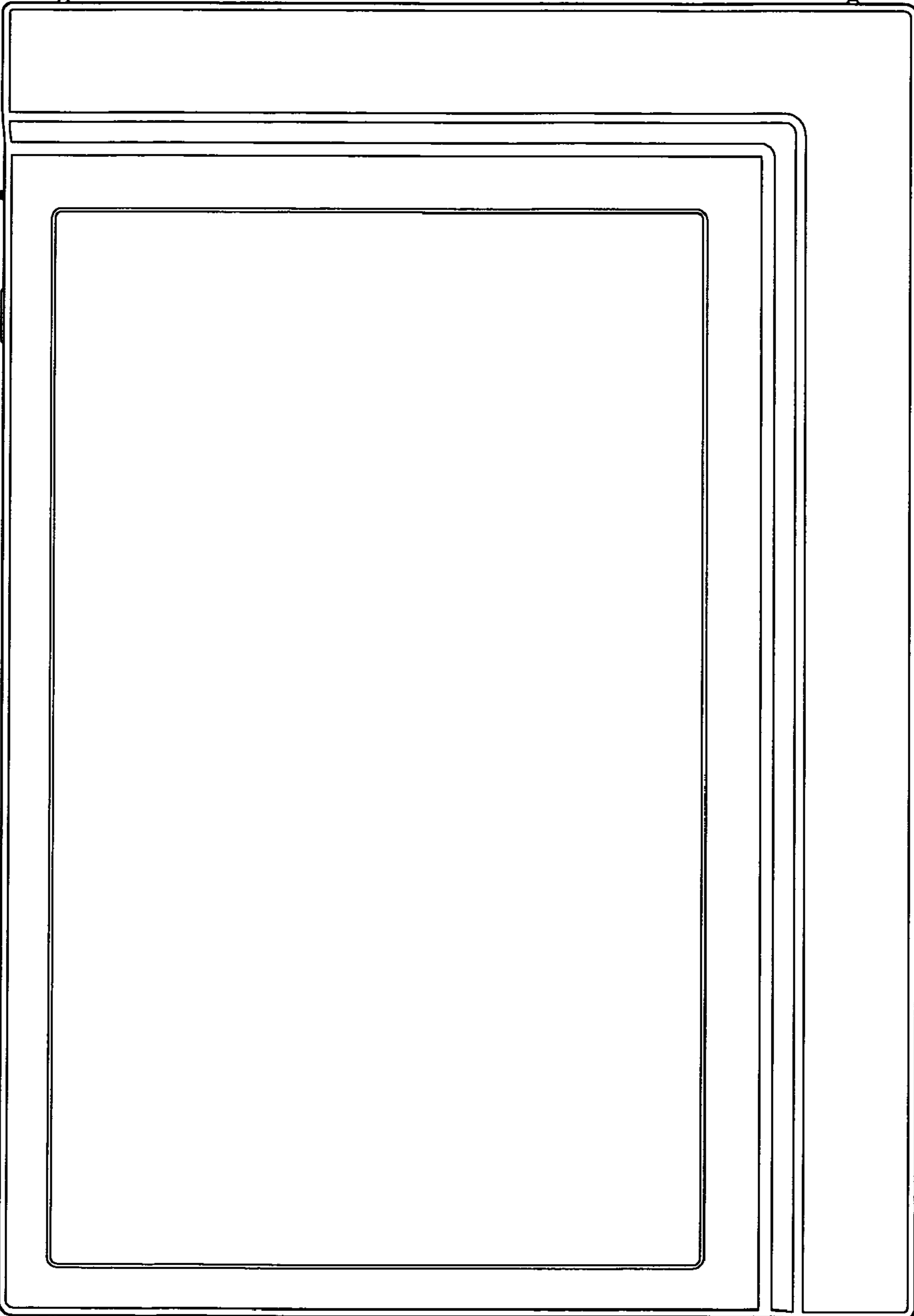


FIG. 2

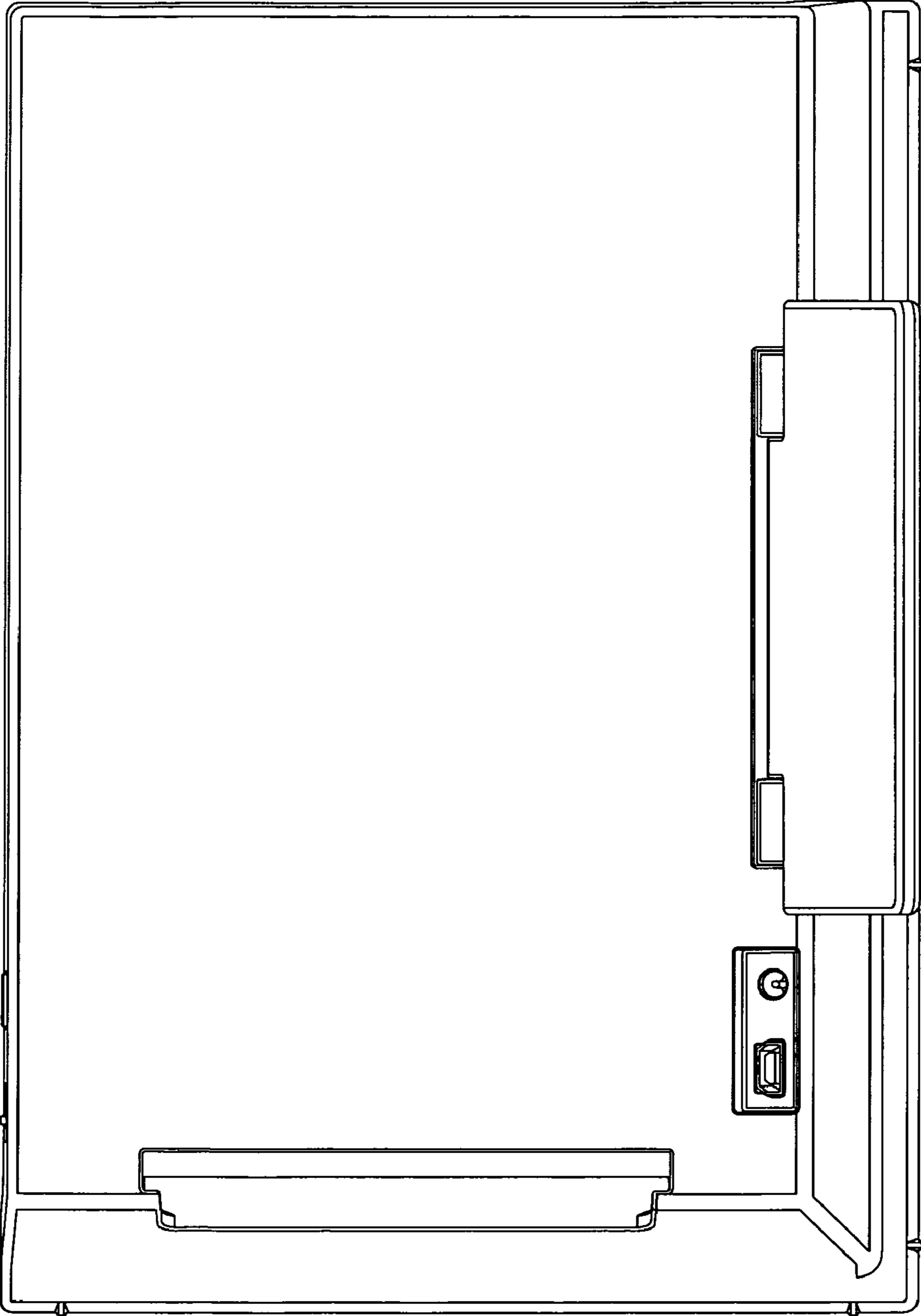


FIG. 3

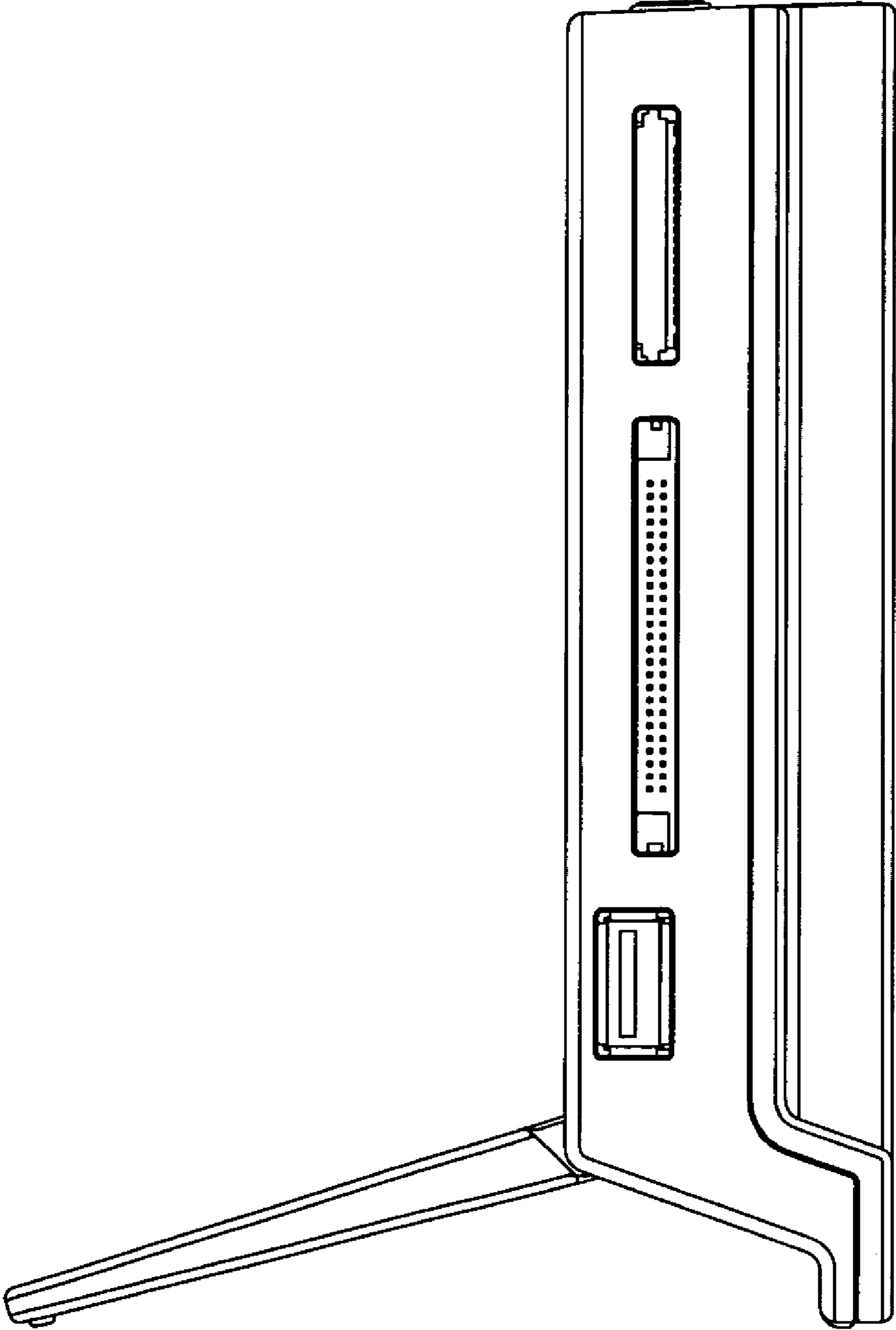


FIG. 4

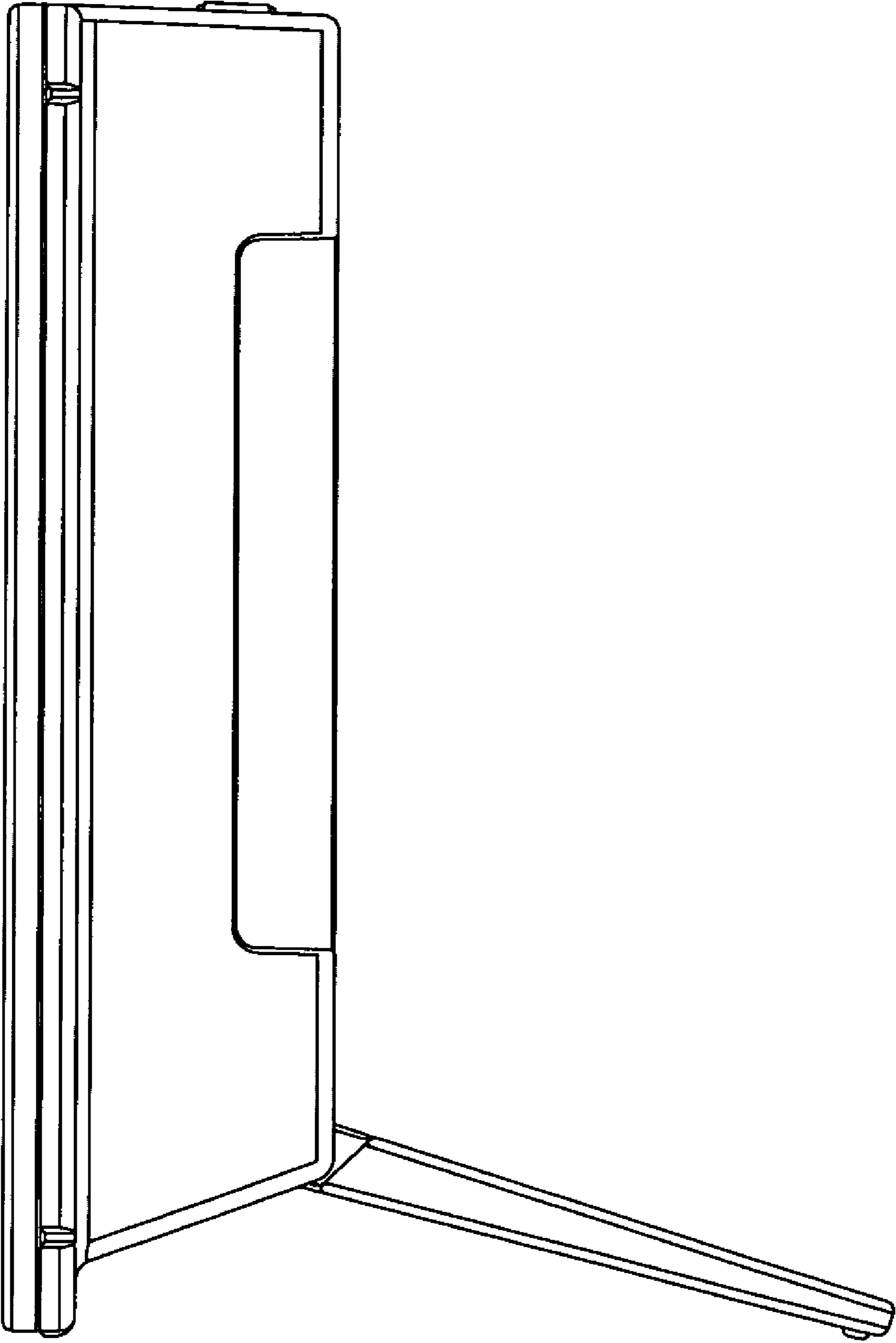


FIG. 5

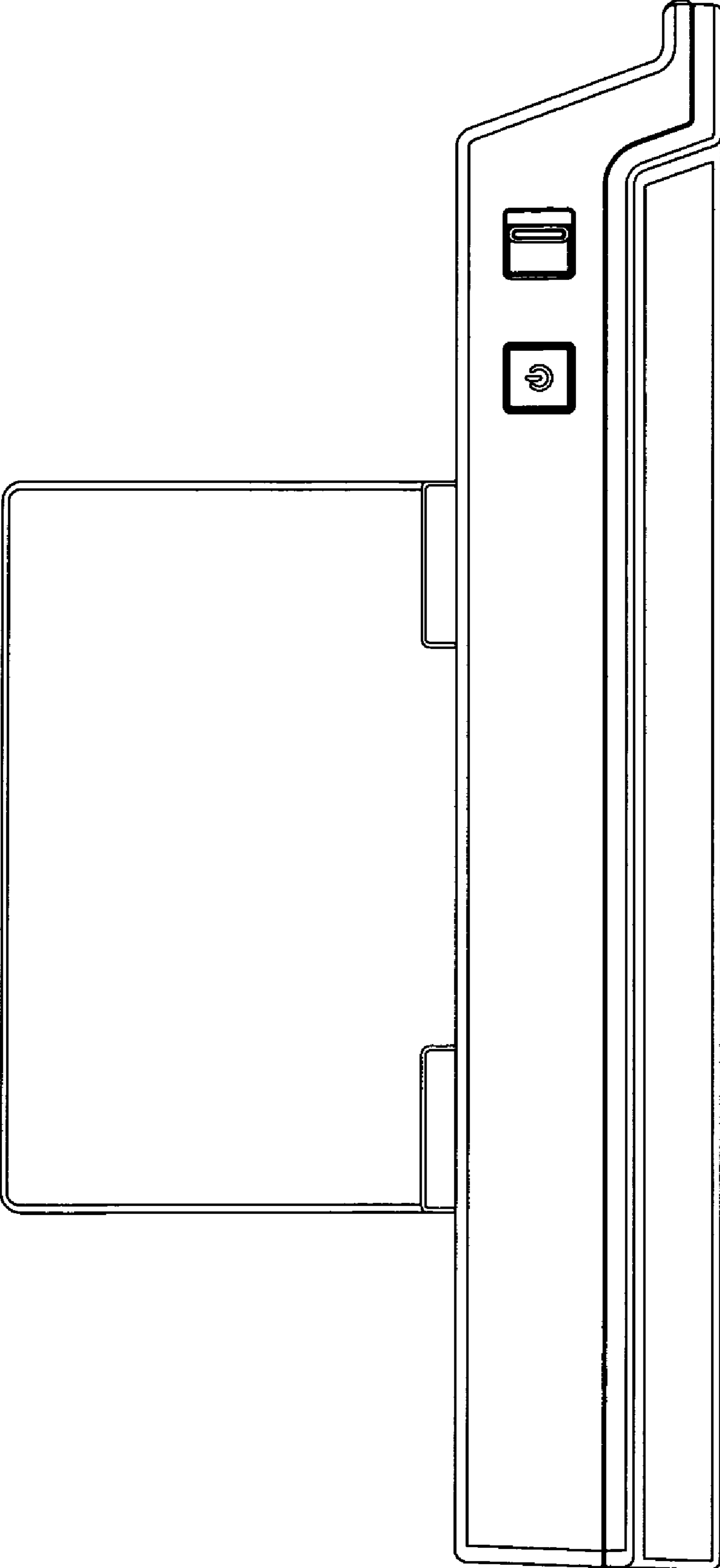


FIG. 6

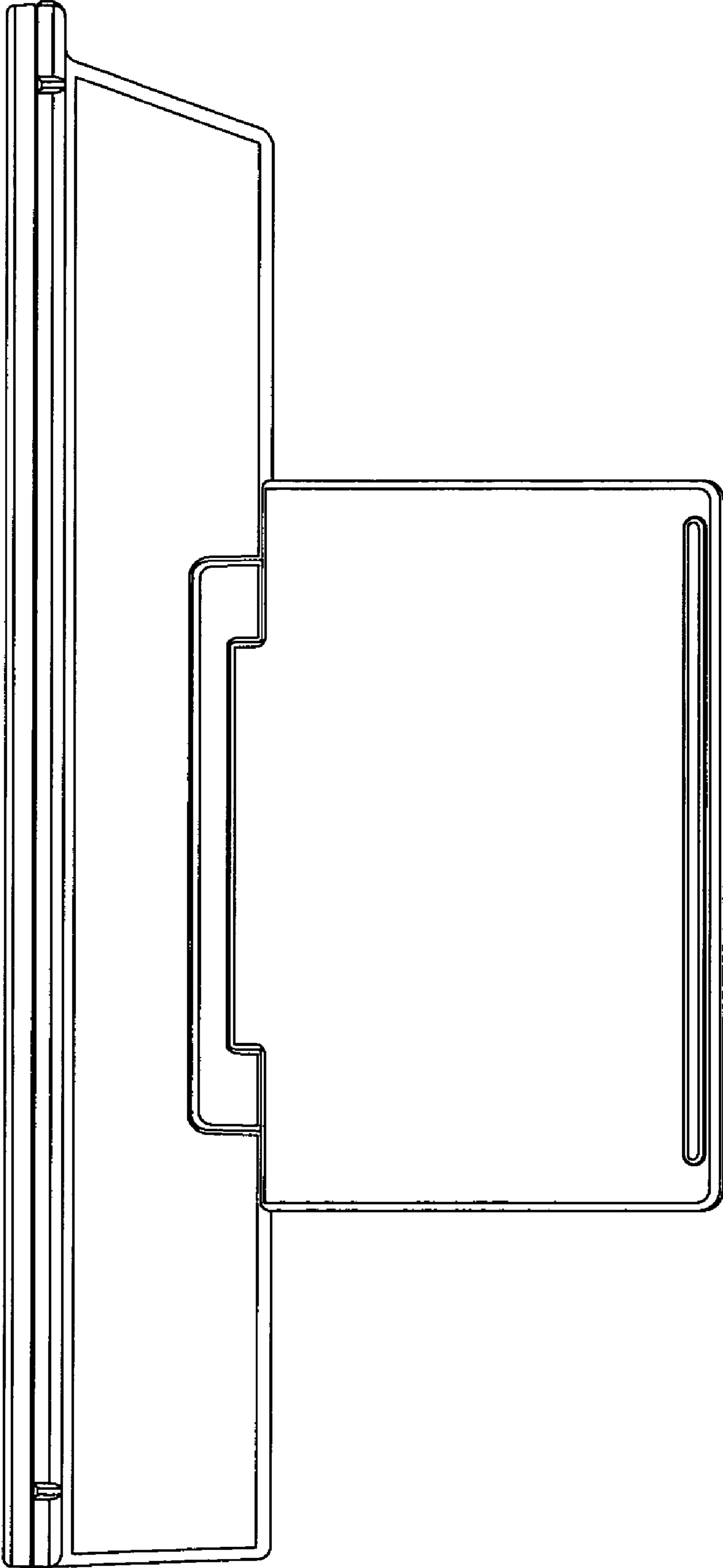


FIG. 7



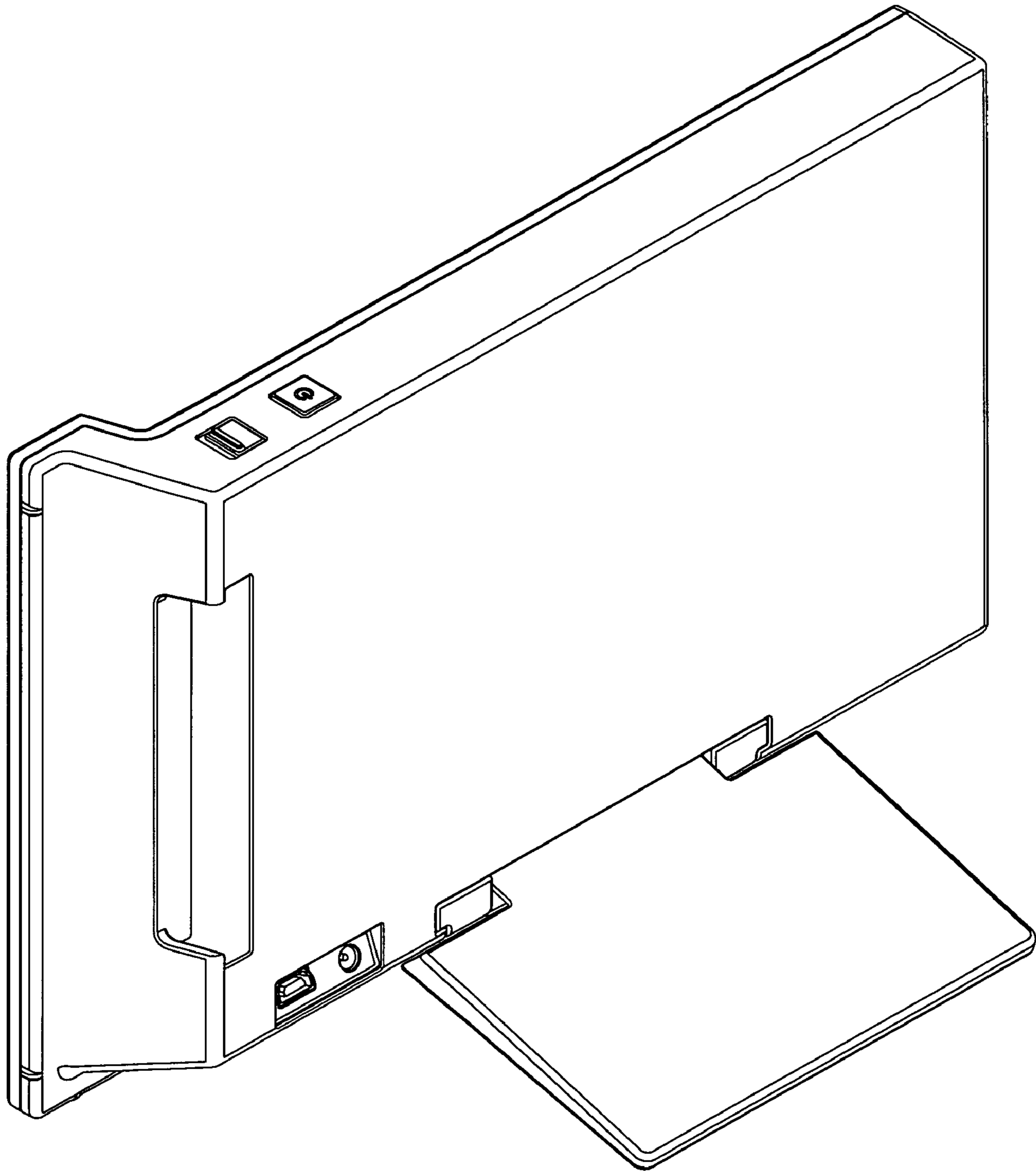


FIG. 8

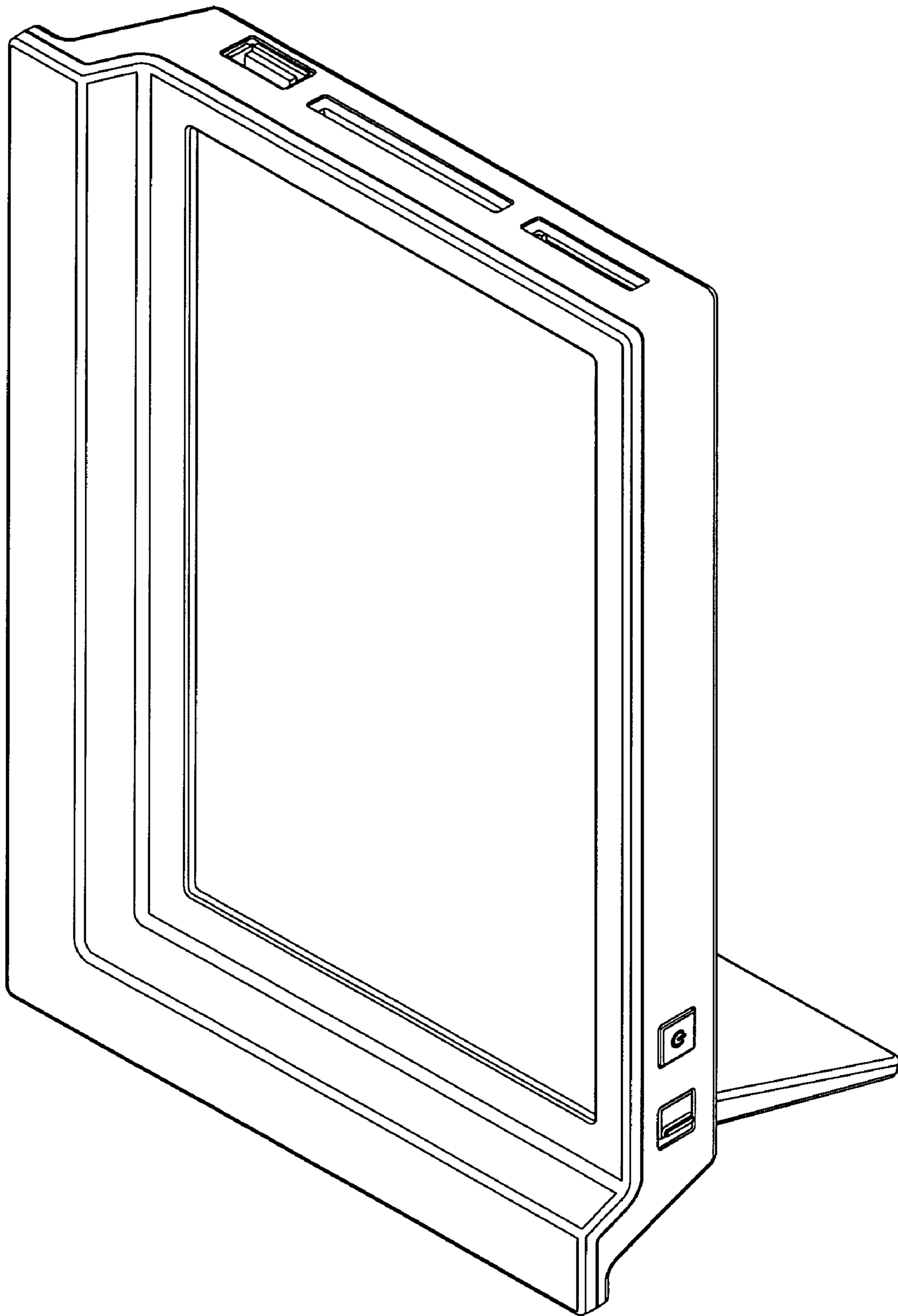


FIG. 9