



US00D586562S

(12) **United States Design Patent**
Lui et al.

(10) **Patent No.:** **US D586,562 S**
(45) **Date of Patent:** **** Feb. 17, 2009**

(54) **PORTION OF A PAINT BRUSH**

5,975,909 A * 11/1999 Ritchie 434/127
D468,156 S * 1/2003 Yu D7/395

(75) Inventors: **Dexter Lui**, Portsmouth, RI (US);
Anthony Wyzen, Northhampton, PA
(US)

* cited by examiner

Primary Examiner—Cathron C Brooks

Assistant Examiner—Lavone D Tabor

(73) Assignee: **Binney & Smith, Inc.**, Easton, PA (US)

(74) *Attorney, Agent, or Firm*—Shook, Hardy & Bacon,
L.L.P.

(**) Term: **14 Years**

(21) Appl. No.: **29/255,479**

(57) **CLAIM**

(22) Filed: **Mar. 8, 2006**

The ornamental design for a portion of a paint brush, as shown
and described.

(51) **LOC (9) Cl.** **04-04**

DESCRIPTION

(52) **U.S. Cl.** **D4/138**

(58) **Field of Classification Search** D4/132–135,
D4/138; D7/393, 395, 401.2; D8/107, 300,
D8/303; 15/143.1, 145, 159.1, 160, 166,
15/176.2; 16/110.1, 422, 430, DIG. 12, DIG. 19
See application file for complete search history.

FIG. 1 is a perspective view of a portion of a paint brush
according to the present invention;

FIG. 2 is a reduced side elevational view thereof;

FIG. 3 is a reduced rear elevational view thereof;

FIG. 4 is a reduced front elevational view thereof;

FIG. 5 is a reduced top plan view thereof; and,

FIG. 6 is a reduced bottom plan view thereof.

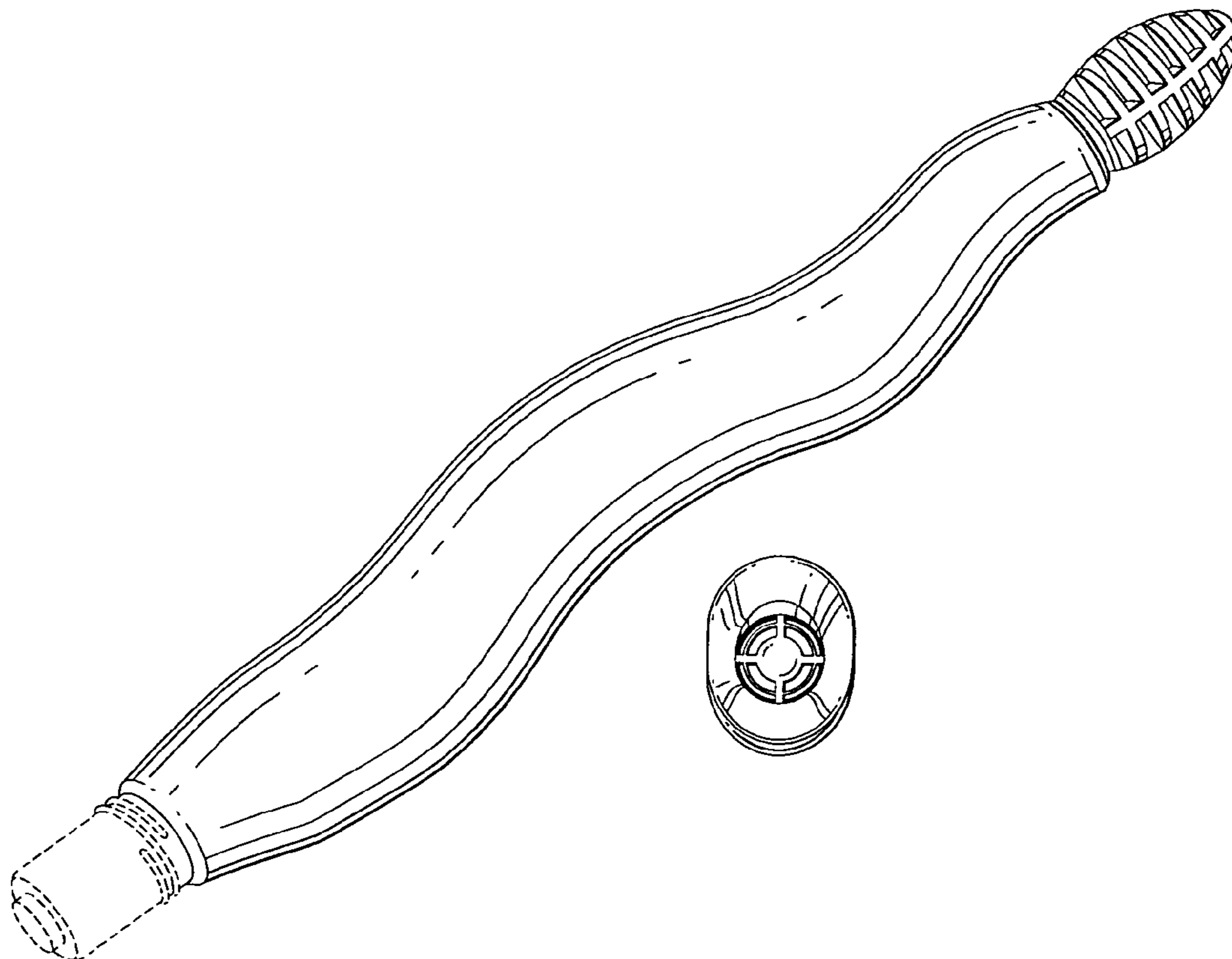
The structure shown in broken lines forms no part of the
claimed design.

(56) **References Cited**

U.S. PATENT DOCUMENTS

843,767 A * 2/1907 Plach 15/443
D159,303 S * 7/1950 Sunberg D7/395
5,778,479 A * 7/1998 Raia 15/202
5,829,099 A * 11/1998 Kopelman et al. 16/430

1 Claim, 2 Drawing Sheets



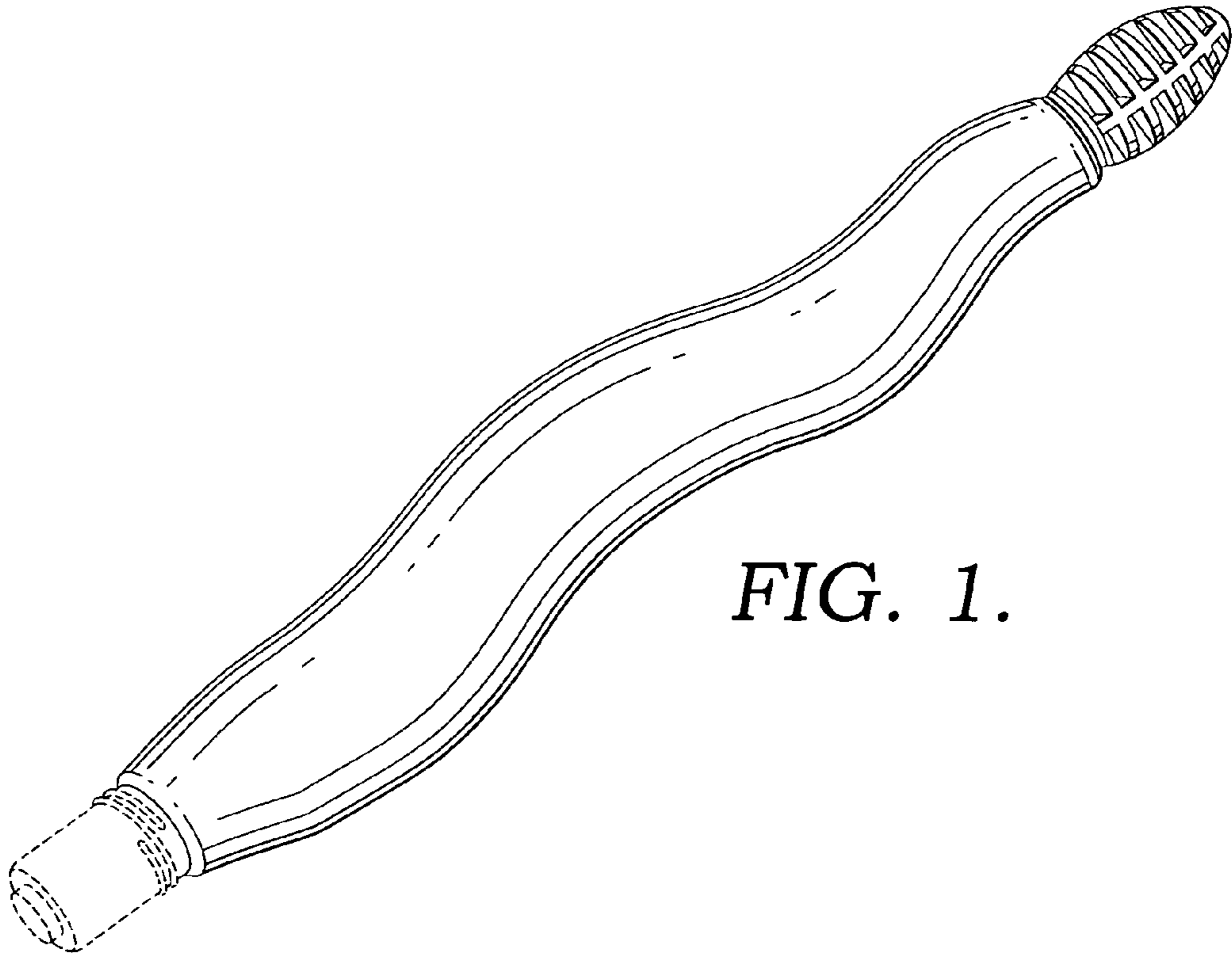


FIG. 1.

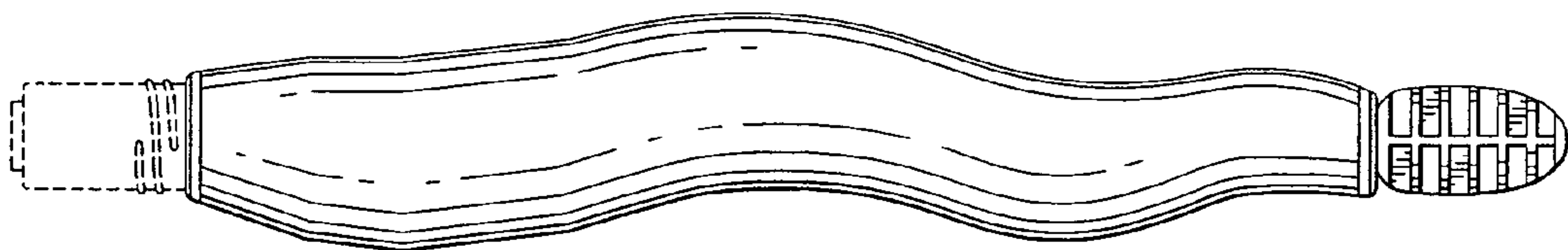


FIG. 2.

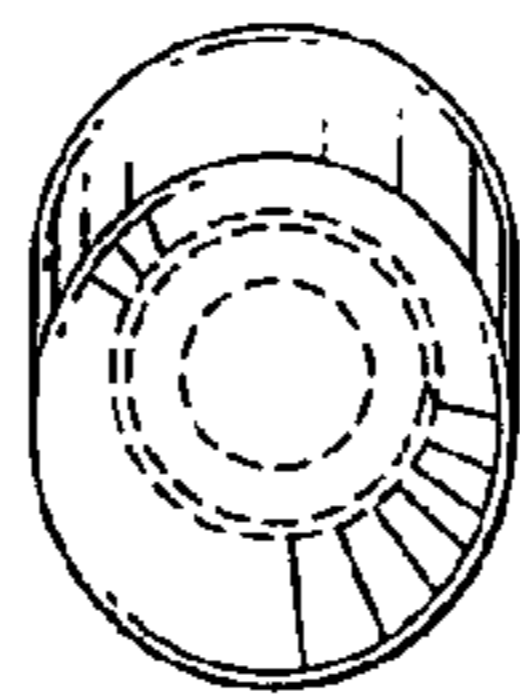


FIG. 3.

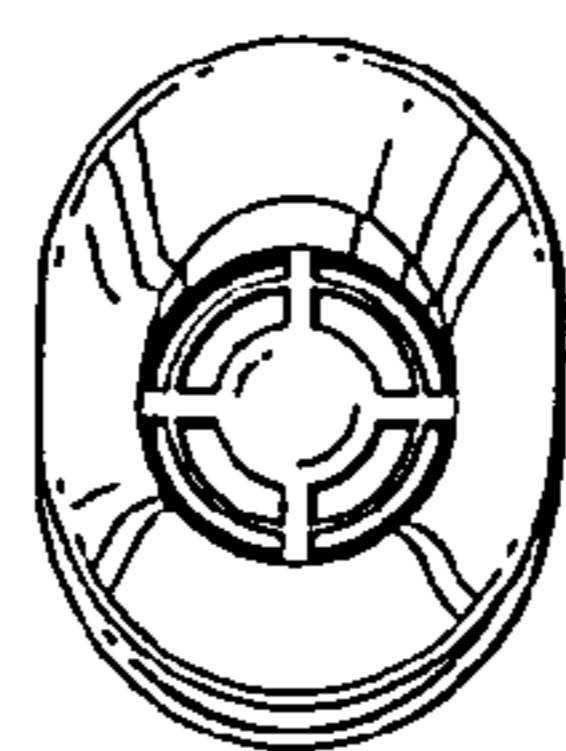


FIG. 4.

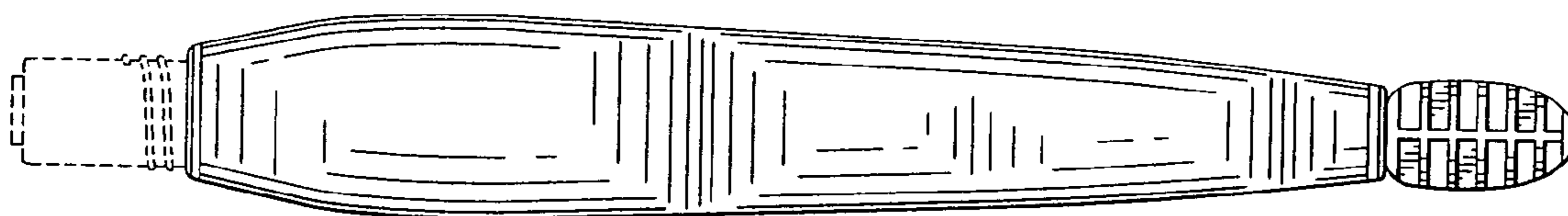


FIG. 5.

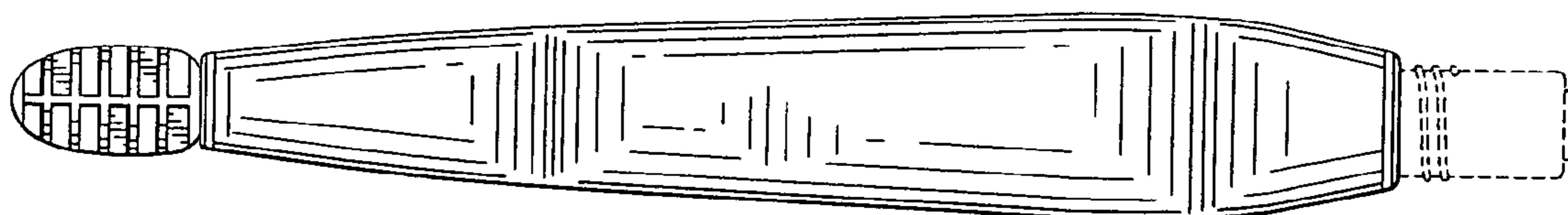


FIG. 6.