



US00D586560S

(12) **United States Design Patent**  
**Gonzalez**

(10) **Patent No.:** **US D586,560 S**

(45) **Date of Patent:** **\*\* Feb. 17, 2009**

(54) **HANDBAG**

(75) Inventor: **Alvaro Gonzalez**, Florence (IT)

(73) Assignee: **J. Choo Limited**, London (GB)

(\*\*) Term: **14 Years**

(21) Appl. No.: **29/308,422**

(22) Filed: **Jun. 16, 2008**

(30) **Foreign Application Priority Data**

Jan. 15, 2008 (EM) ..... 000862354-0005

(51) **LOC (9) Cl.** ..... **03-01**

(52) **U.S. Cl.** ..... **D3/318**

(58) **Field of Classification Search** ..... D3/232–233,  
D3/240–246, 318, 322, 324; 150/100, 103–104,  
150/107–110, 114, 118–119  
See application file for complete search history.

(56) **References Cited**

**U.S. PATENT DOCUMENTS**

1,284,350 A \* 11/1918 Appel ..... 150/107  
D132,694 S \* 6/1942 Appel ..... D3/326  
D135,816 S \* 6/1943 Appel ..... D3/326  
D147,631 S \* 10/1947 Hunt ..... D3/326

**OTHER PUBLICATIONS**

U.S. Appl. No. 29/263,405; First named designed Gonzalez; filed Jul. 20, 2006.

U.S. Appl. No. 29/308,913; First named designed Gonzalez; filed Jul. 14, 2008.

U.S. Appl. No. 29/308,902; First named designed Gonzalez; filed Jul. 14, 2008.

\* cited by examiner

*Primary Examiner*—Holly H Baynham

(74) *Attorney, Agent, or Firm*—Fross Zelnick Lehrman & Zissu, P.C.; Lawrence E. APolzon, Esq.

(57) **CLAIM**

The ornamental design for a handbag, as shown and described.

**DESCRIPTION**

FIG. 1 is a front perspective view of a handbag showing my new design;

FIG. 2 is a front view of the handbag shown in FIG. 1;

FIG. 3 is a rear view of the handbag shown in FIG. 1;

FIG. 4 is a right side view of the handbag shown in FIG. 1;

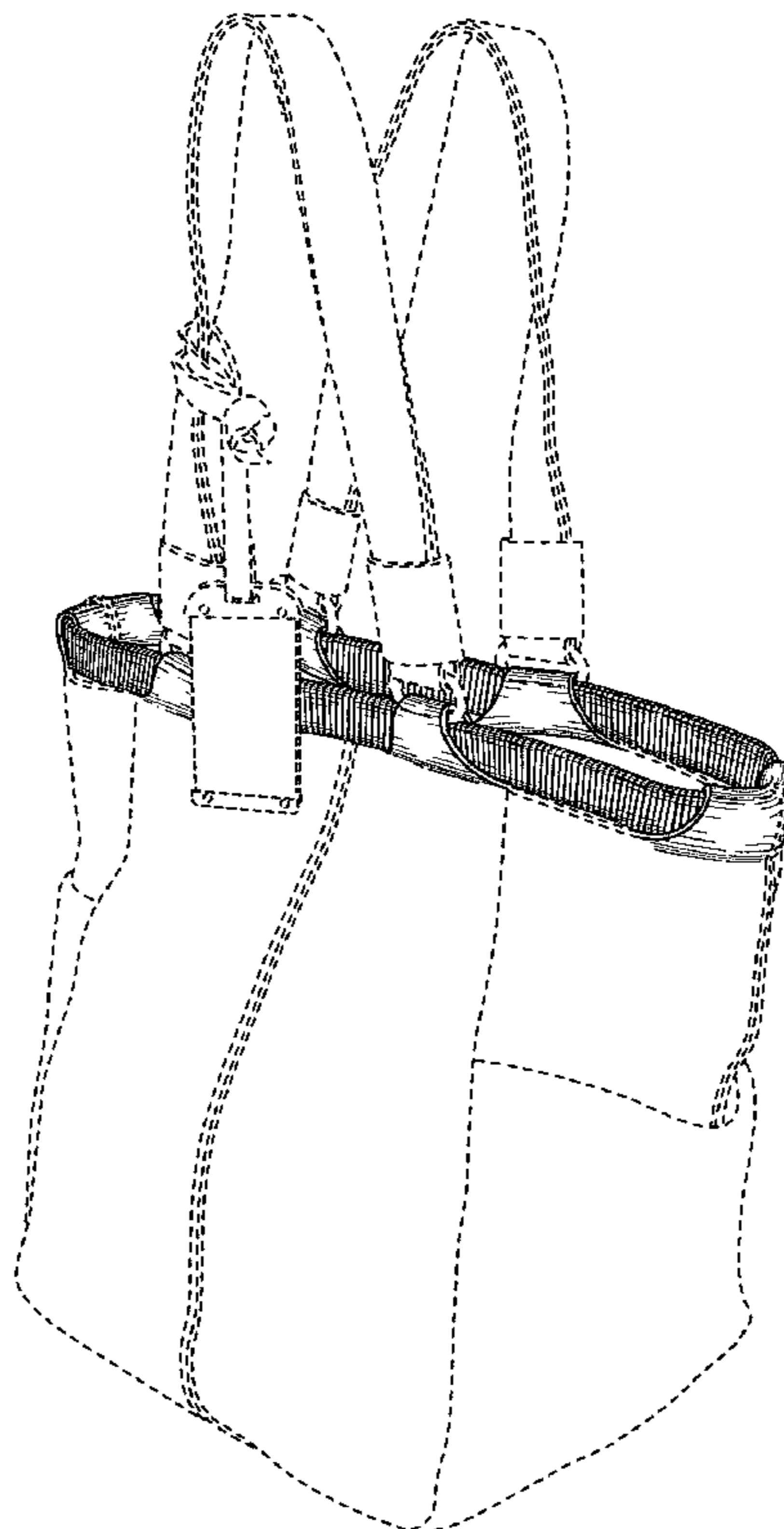
FIG. 5 is a left side view of the handbag shown in FIG. 1;

FIG. 6 is a top view of the handbag shown in FIG. 1; and,

FIG. 7 is a bottom view of the handbag shown in FIG. 1.

The broken line showing of the body of the handbag, handles, handle rings and hang tag is for illustrative purposes only and forms no part of the claimed design.

**1 Claim, 7 Drawing Sheets**



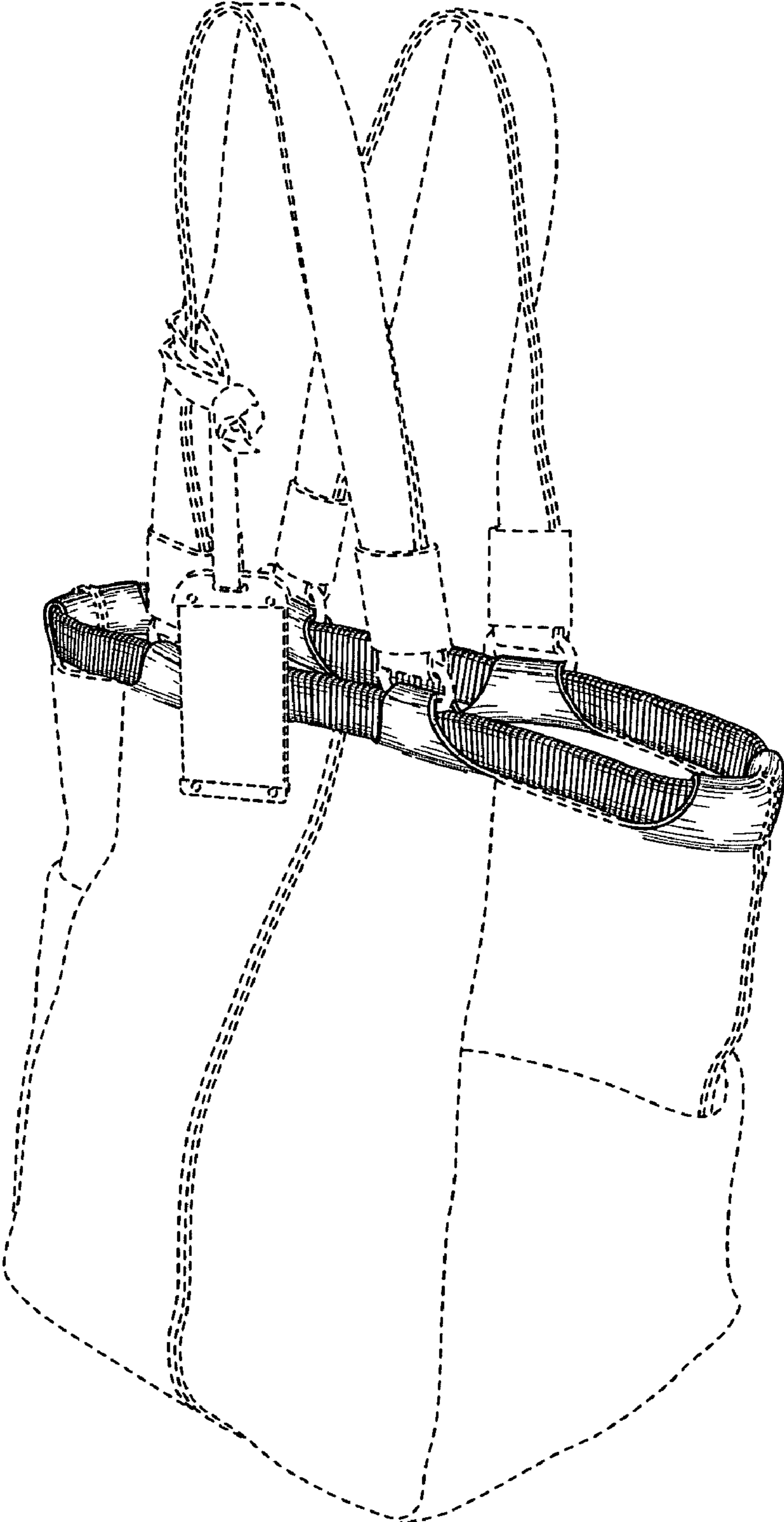


FIG. 1

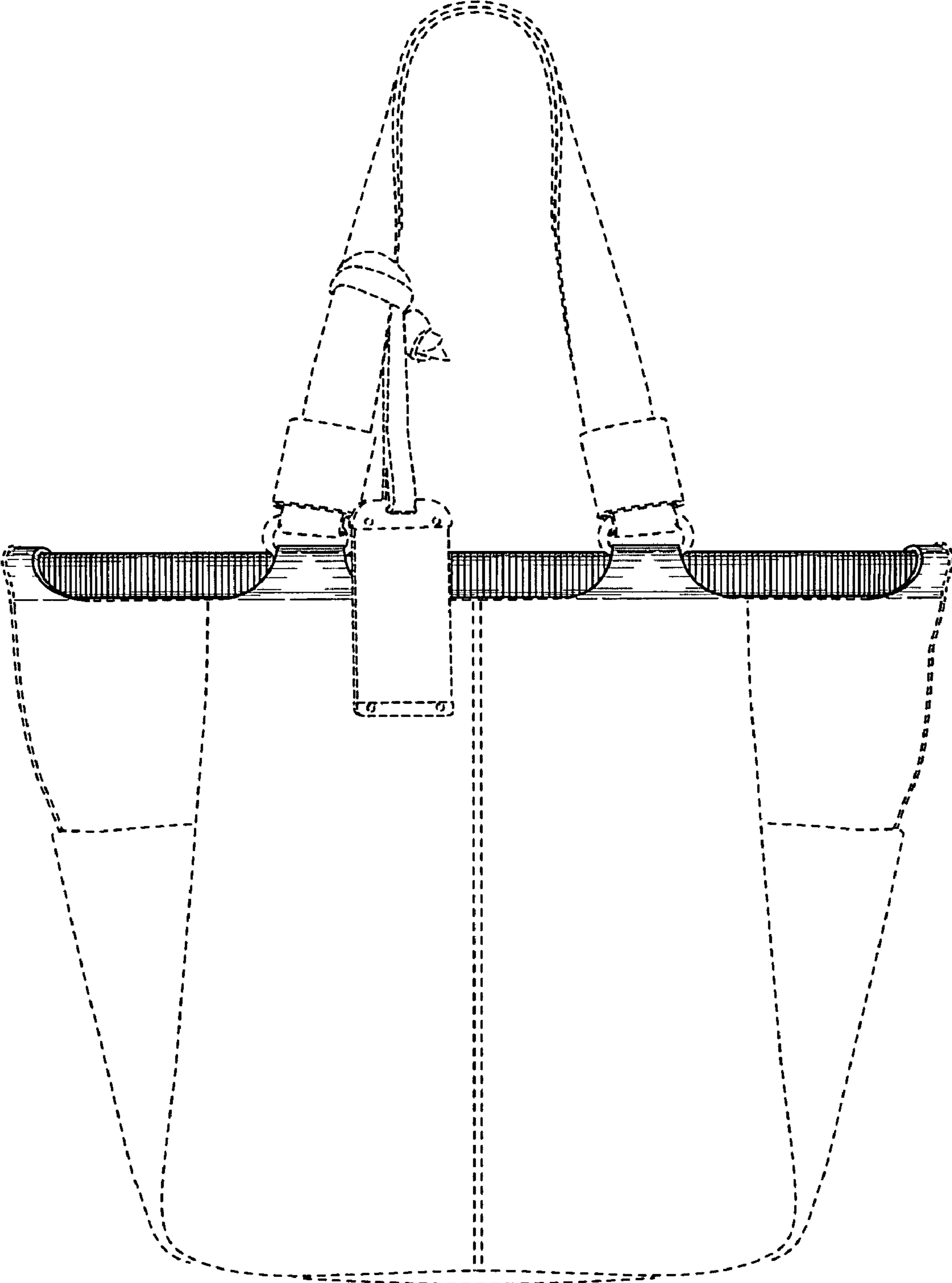


FIG. 2

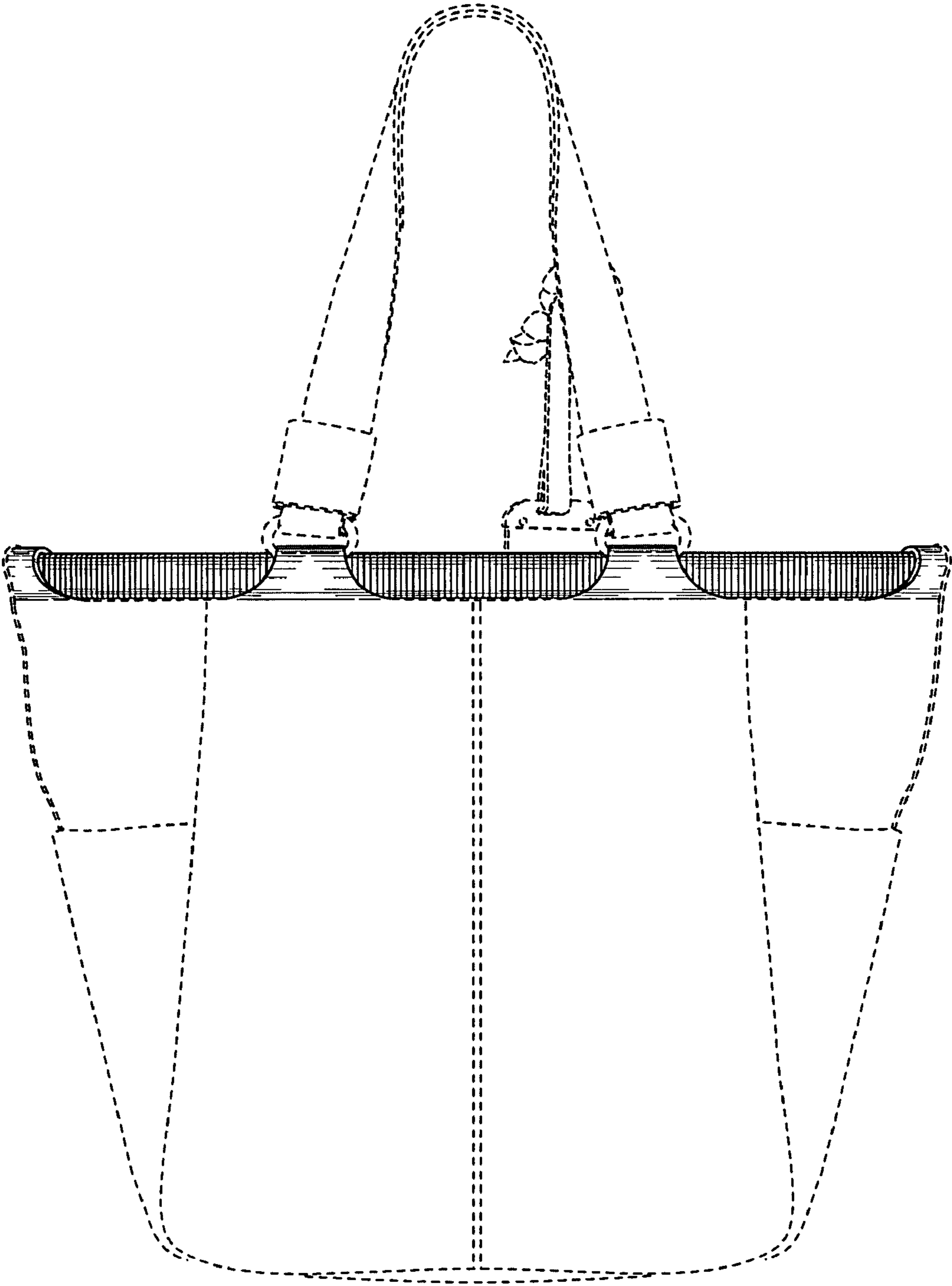


FIG. 3

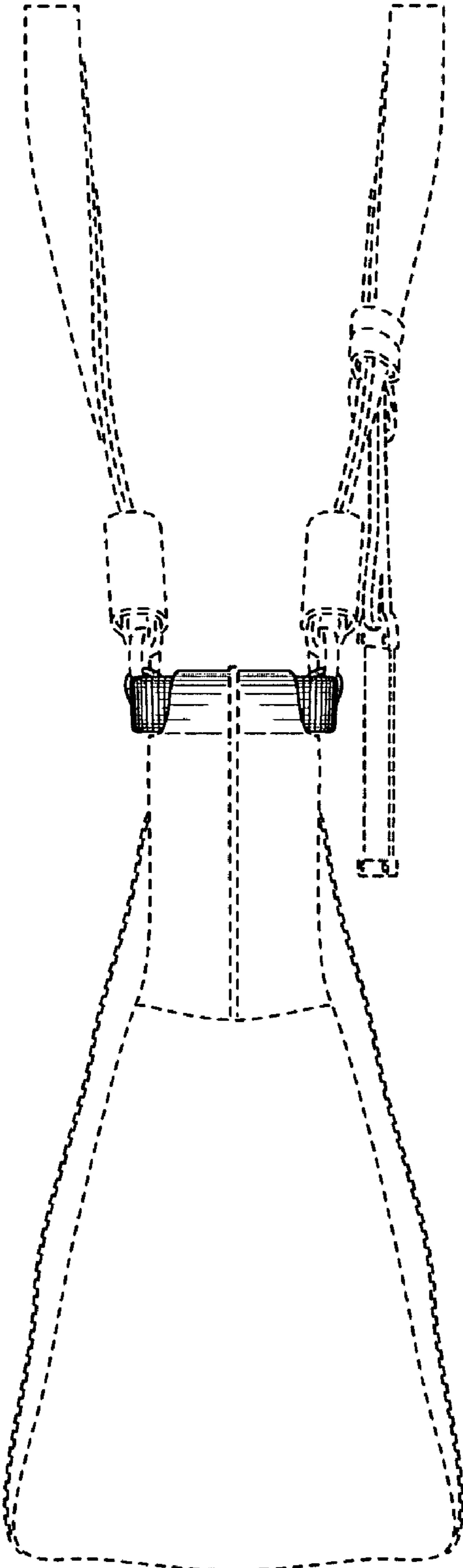


FIG. 4

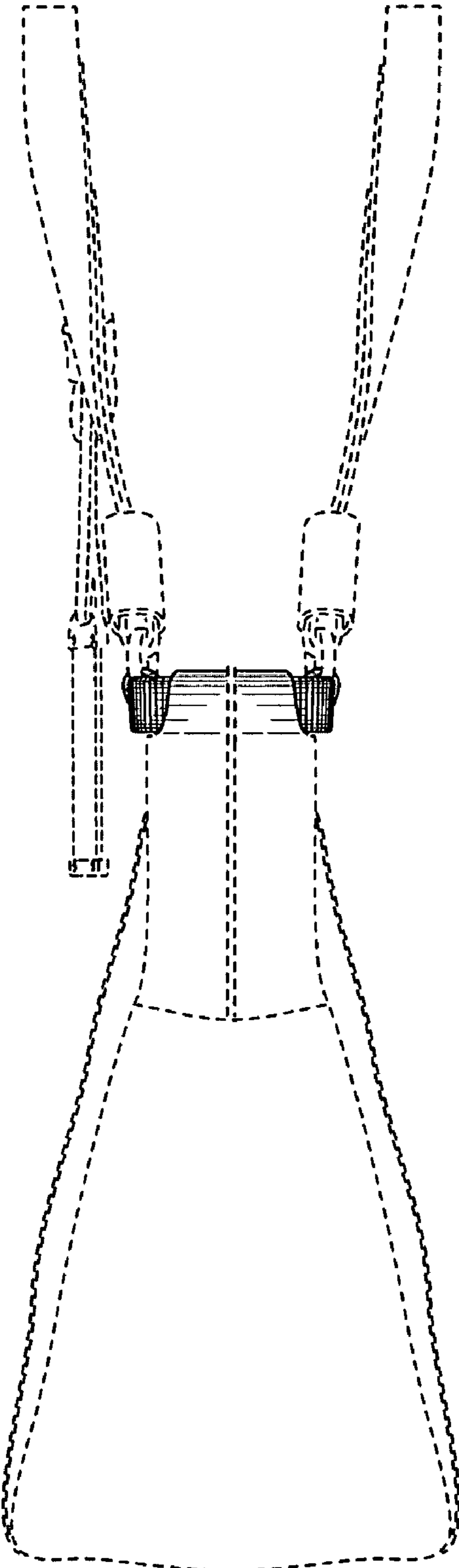


FIG. 5

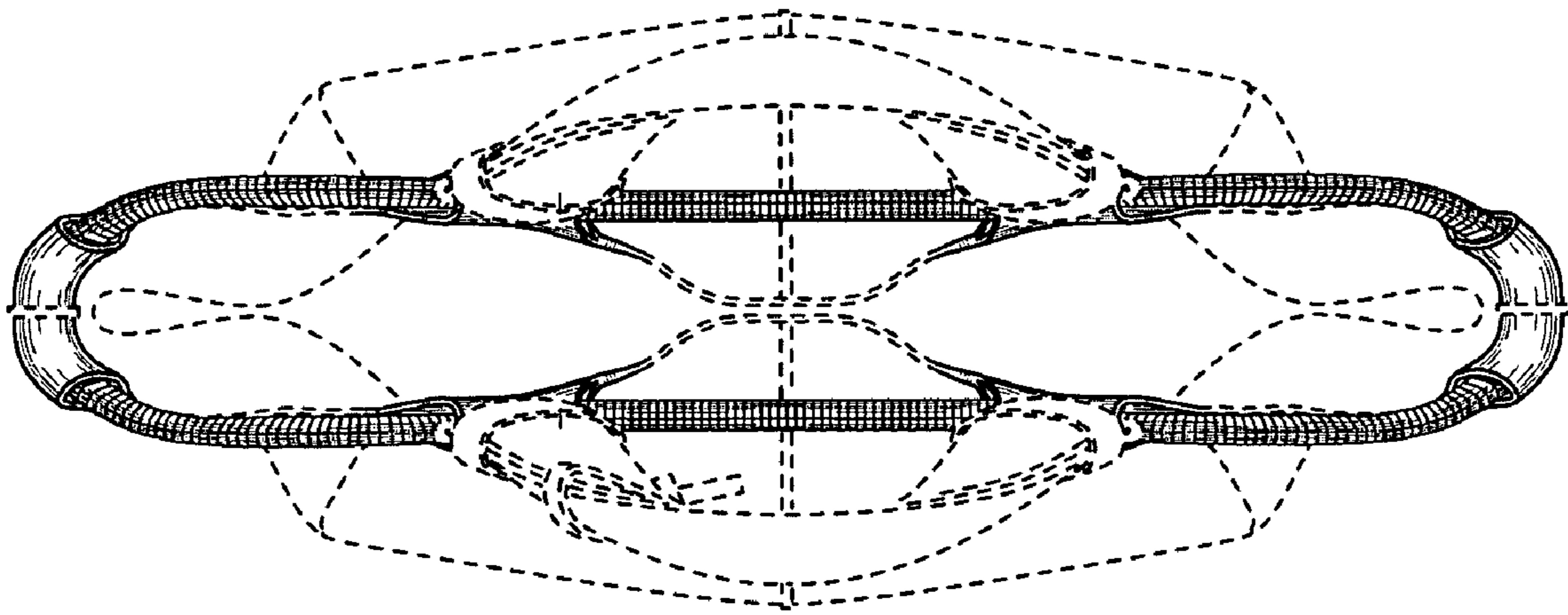


FIG. 6

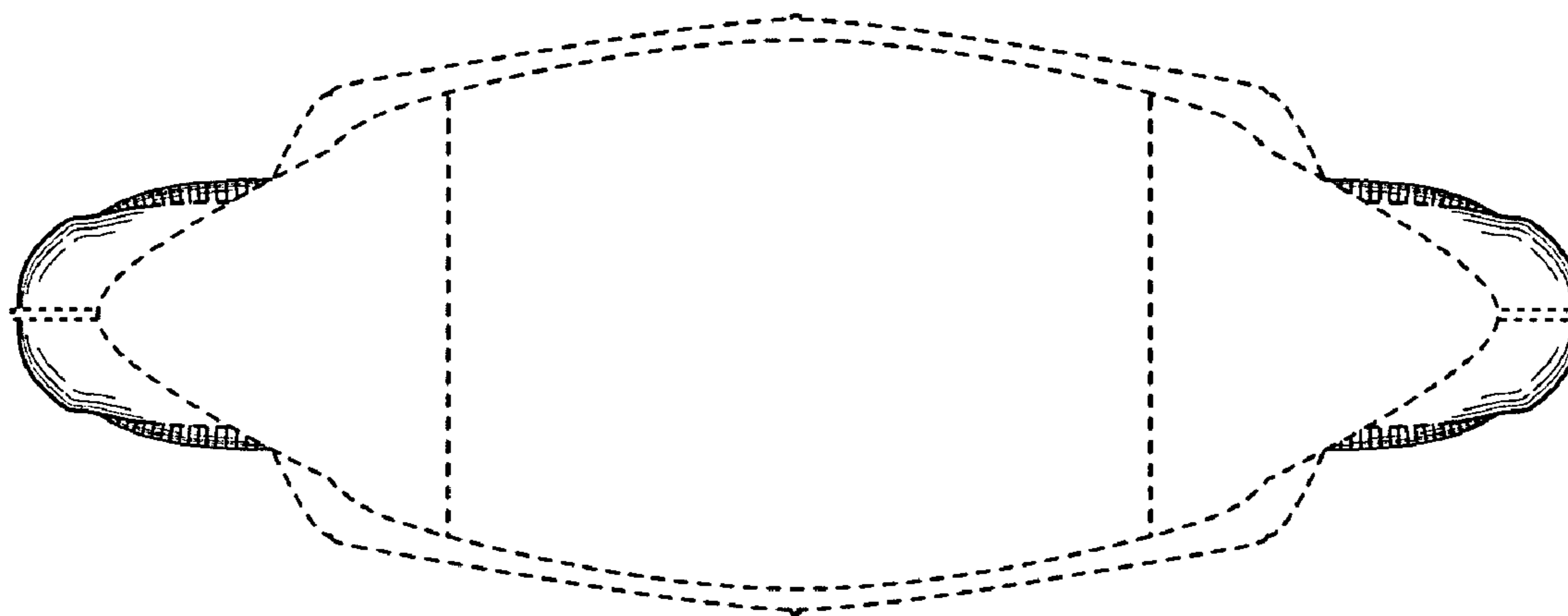


FIG. 7