



US00D586558S

(12) **United States Design Patent**
Ziemann et al.

(10) **Patent No.:** **US D586,558 S**

(45) **Date of Patent:** **** Feb. 17, 2009**

(54) **CUTLERY BASKET**

(75) Inventors: **Brigitte Ziemann**, Eppingen (DE);
Reinhard Koska, Karlsruhe (DE);
Helen Wegener, Stuttgart (DE)

(73) Assignee: **BLANCO GmbH + Co KG**,
Oberderdingen (DE)

(**) Term: **14 Years**

(21) Appl. No.: **29/283,645**

(22) Filed: **Aug. 20, 2007**

(51) **LOC (9) Cl.** **03-01**

(52) **U.S. Cl.** **D3/304**

(58) **Field of Classification Search** D6/566-567,
D6/525, 537, 540, 574, 572, 511; D3/304-415;
206/202, 513, 557; 211/13.1, 41.3, 41.4,
211/86.01, 88.01, 134, 126.1, 181.1; 248/302;
220/485, 488; D32/3

See application file for complete search history.

(56) **References Cited**

U.S. PATENT DOCUMENTS

2,669,373	A *	2/1954	Coit, Jr.	220/668
2,968,418	A *	1/1961	Stoddard	206/509
D189,995	S *	3/1961	Crane	D3/314
3,129,714	A *	4/1964	Schaefer	134/201
4,058,233	A *	11/1977	Frangos	220/488
4,106,626	A *	8/1978	Trubiano	206/513
D296,600	S *	7/1988	Singerman et al.	D3/306
D296,601	S *	7/1988	Chap	D3/306
4,830,200	A *	5/1989	Zambano et al.	211/133.5

D306,786	S *	3/1990	Ling	D32/3
D338,749	S *	8/1993	McConnell	D32/3
5,495,960	A *	3/1996	Lam et al.	220/485
D373,039	S *	8/1996	Cohen et al.	D6/566
D383,283	S *	9/1997	Hankins, III	D34/27
5,692,431	A *	12/1997	Herring	99/426
D407,930	S *	4/1999	Camilleri et al.	D6/513
6,520,354	B1 *	2/2003	Skvorecz	211/181.1
D508,167	S *	8/2005	Anderson et al.	D3/304
D508,321	S *	8/2005	Anderson et al.	D3/304
7,341,162	B2 *	3/2008	Svabek et al.	220/485
2003/0034318	A1 *	2/2003	Skvorecz	211/181.1

* cited by examiner

Primary Examiner—T. Chase Nelson

Assistant Examiner—Eric L Goodman

(74) *Attorney, Agent, or Firm*—Hanley, Flight &
Zimmerman, LLC

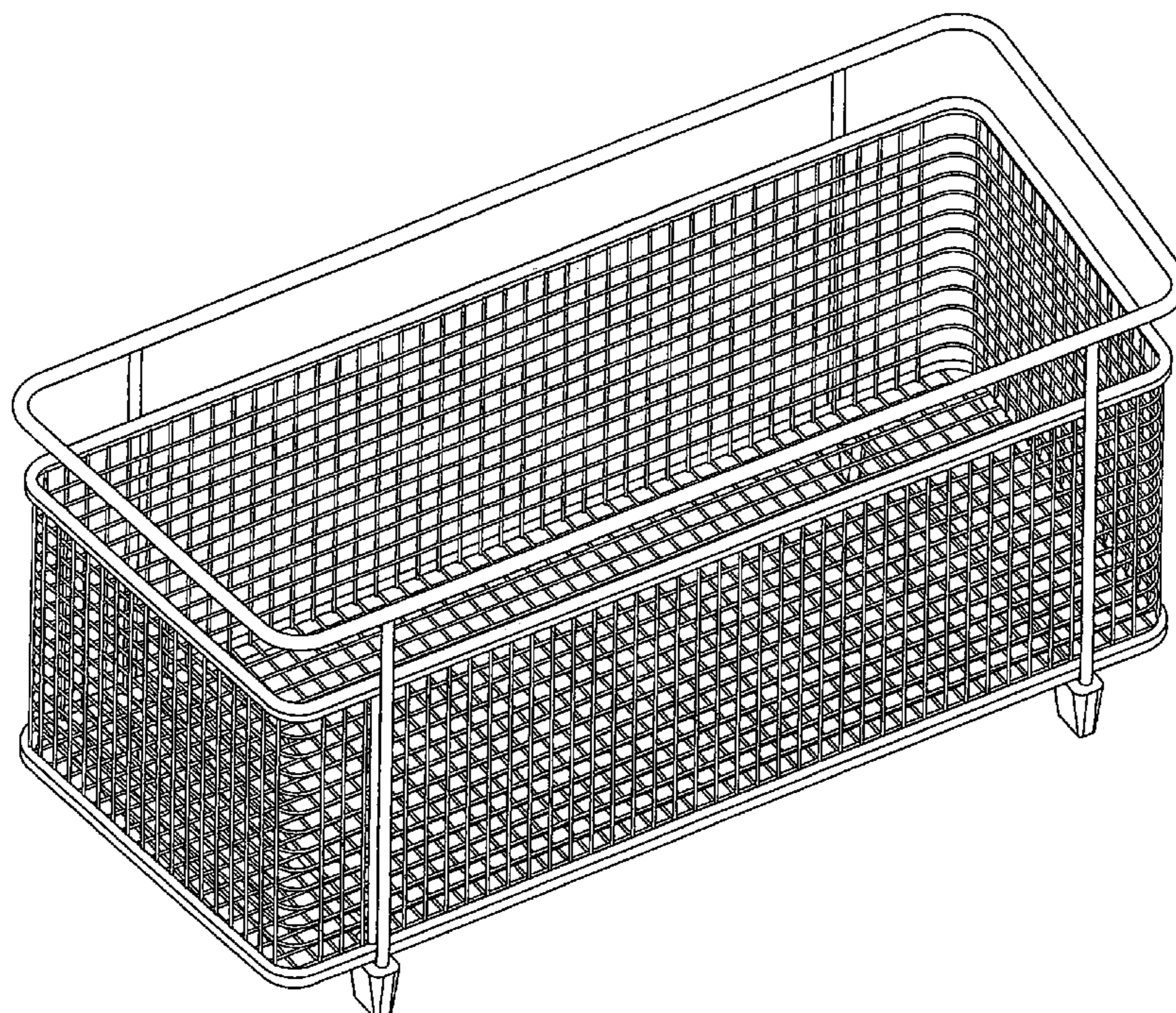
(57) **CLAIM**

The ornamental design for a “cutlery basket,” as shown and described.

DESCRIPTION

FIG. 1 is a perspective view of the cutlery basket;
FIG. 2 is a top plan view of the cutlery basket;
FIG. 3 is a bottom view of the cutlery basket;
FIG. 4 is a front view of the cutlery basket;
FIG. 5 is a rear view of the cutlery basket;
FIG. 6 is a right side view of the cutlery basket; and,
FIG. 7 is a left side view of the cutlery basket.

1 Claim, 7 Drawing Sheets



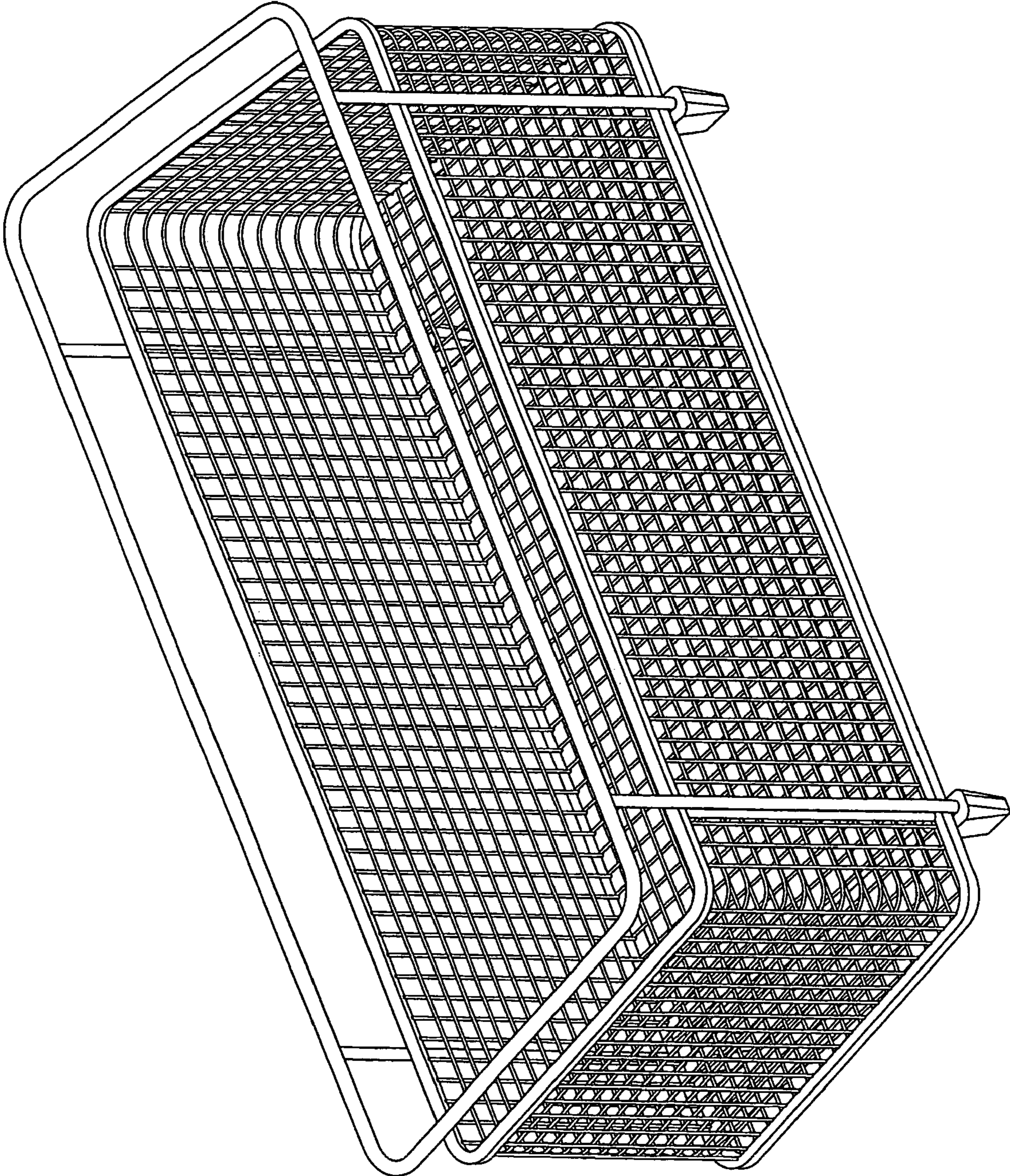


FIG. 1

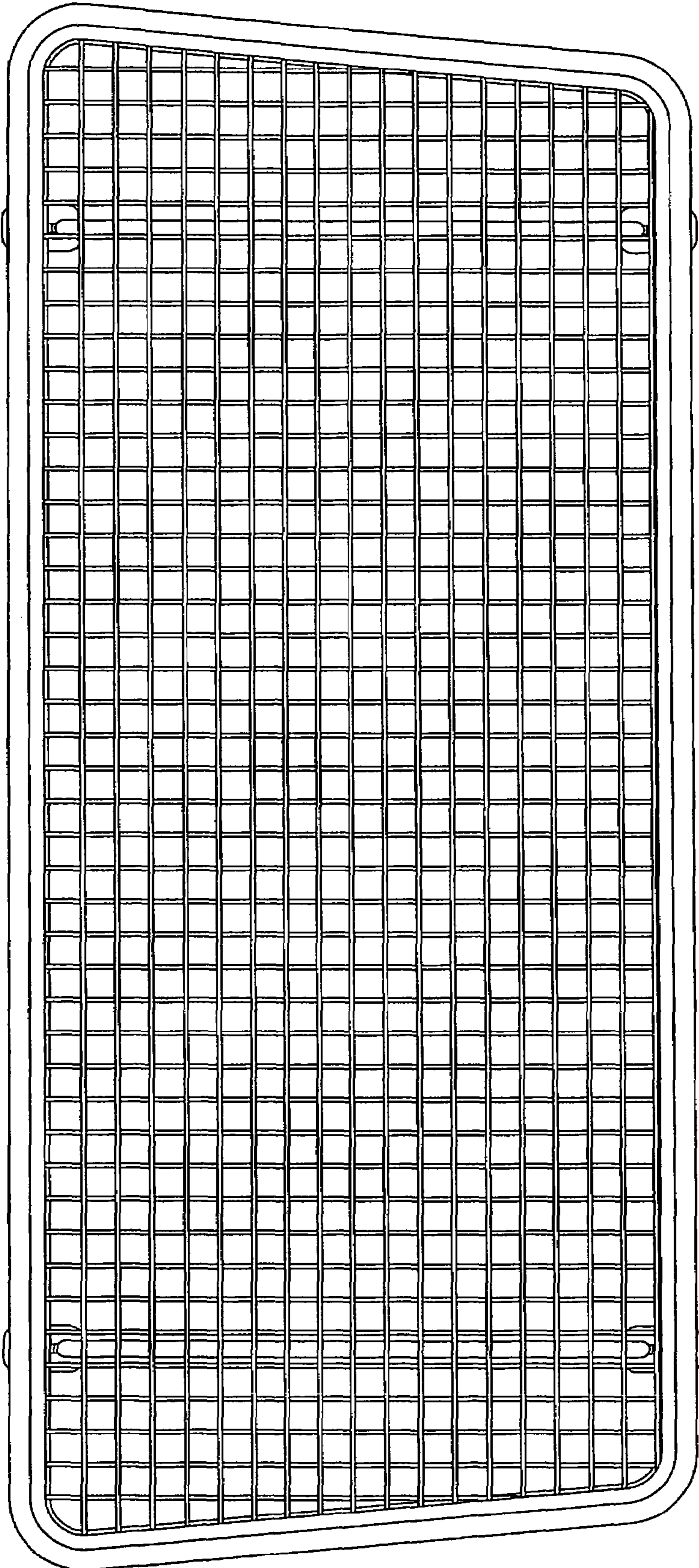


FIG. 2

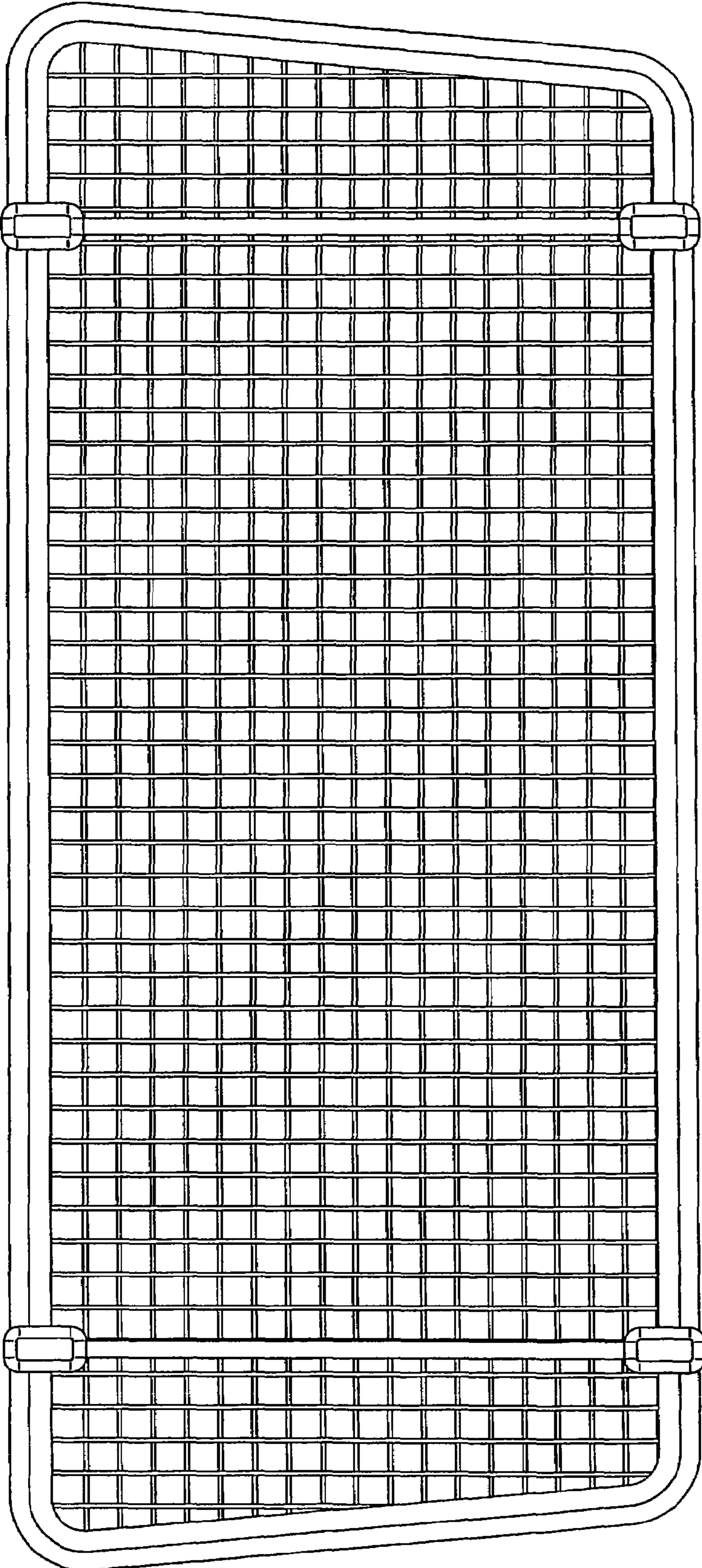


FIG. 3

FIG. 4

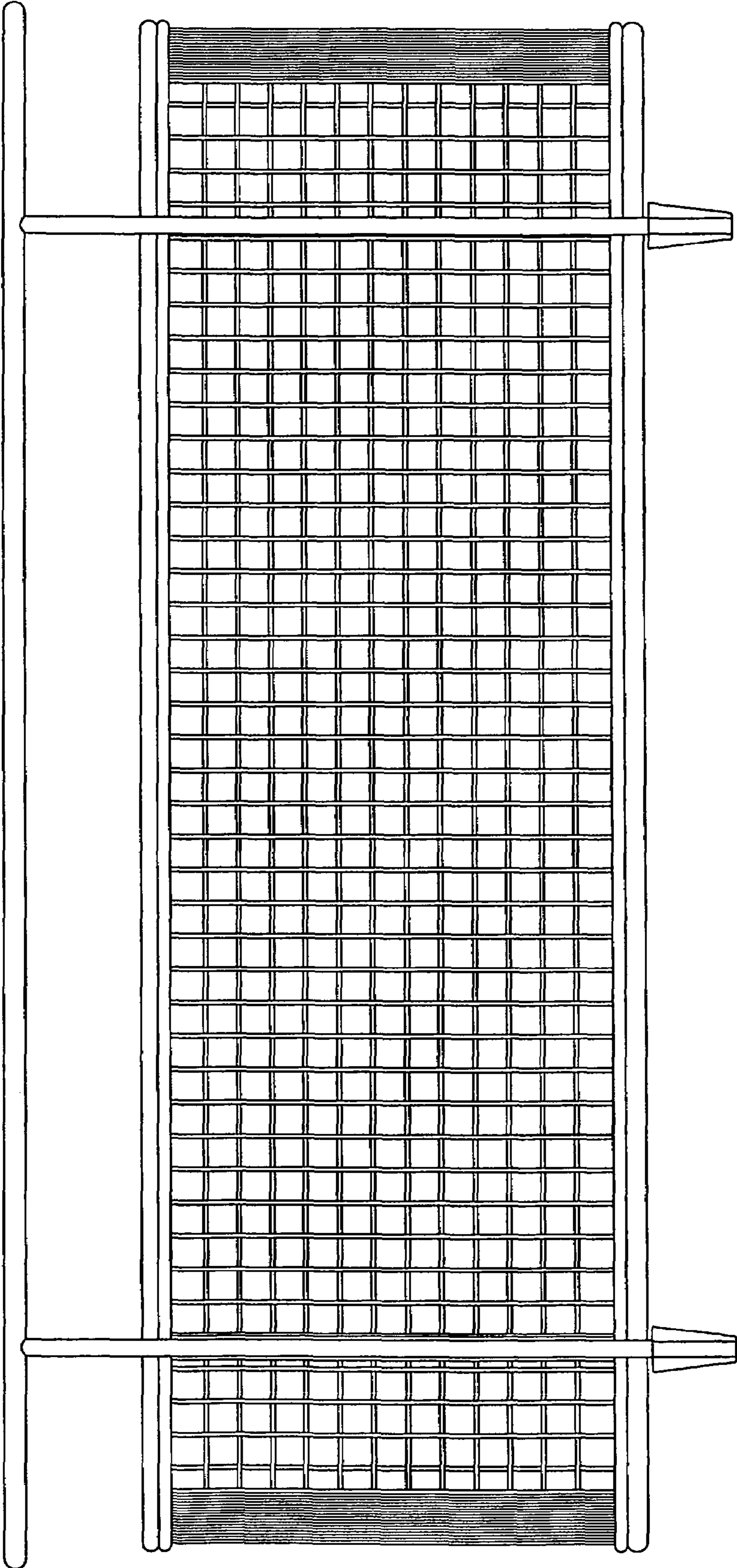
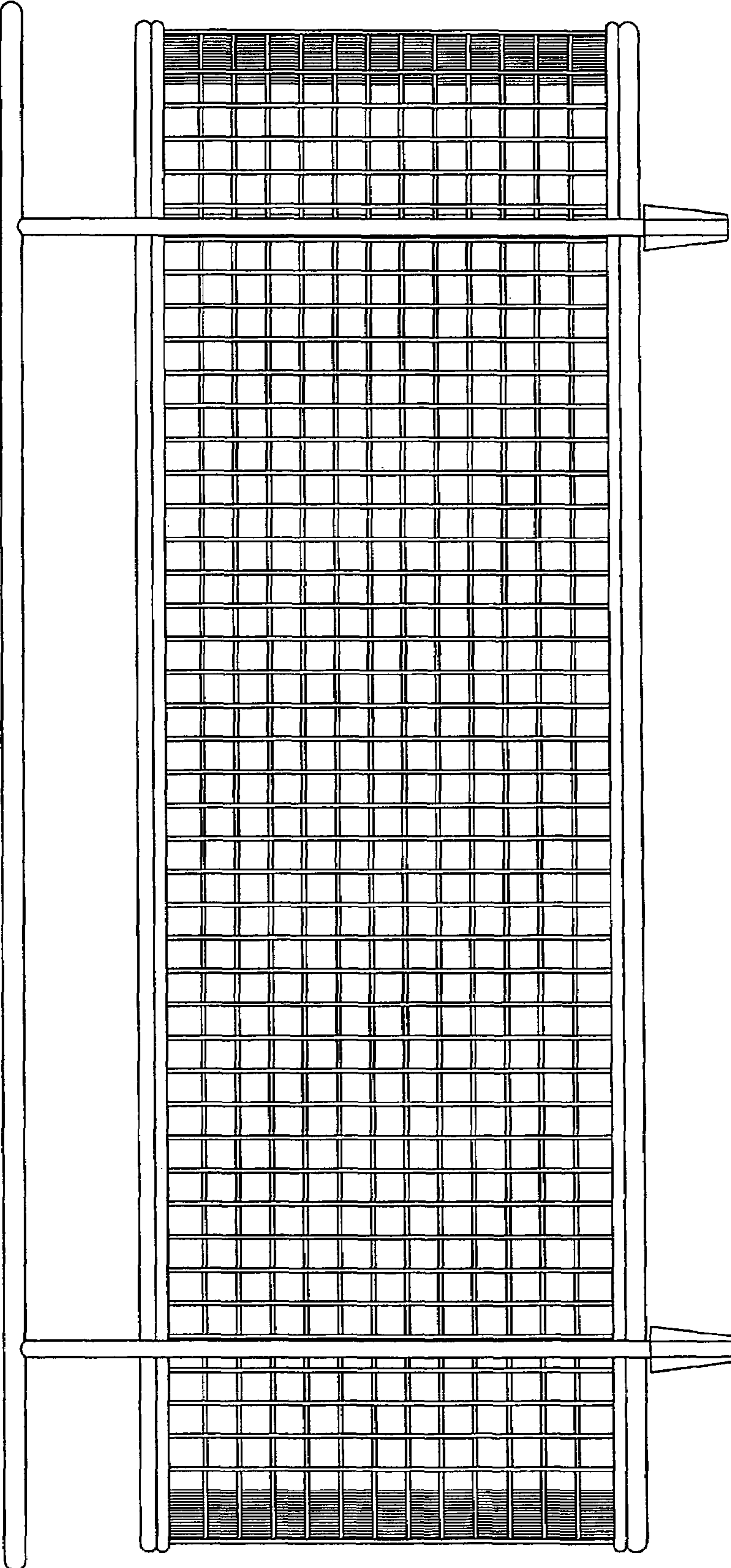


FIG. 5



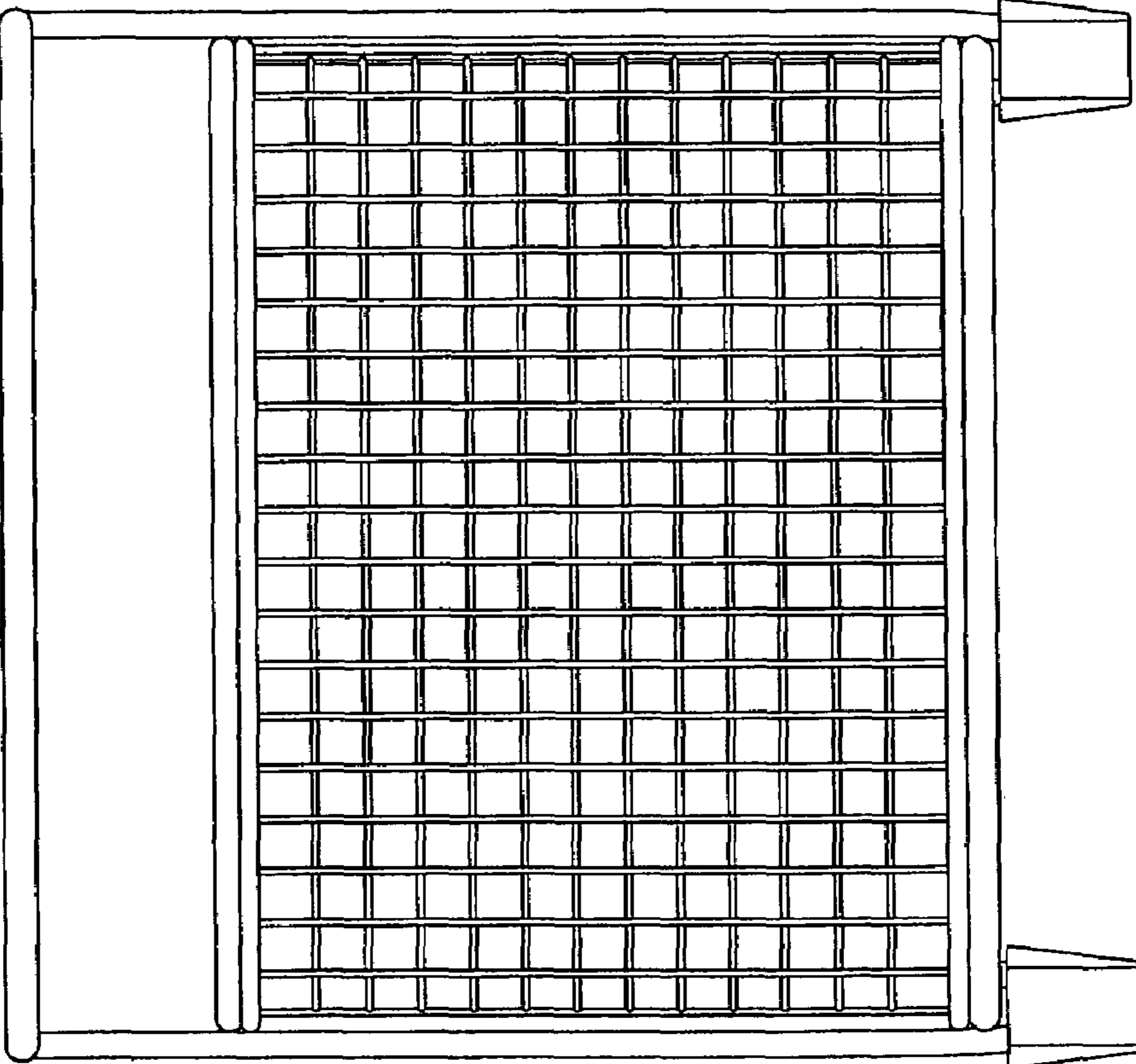


FIG. 6

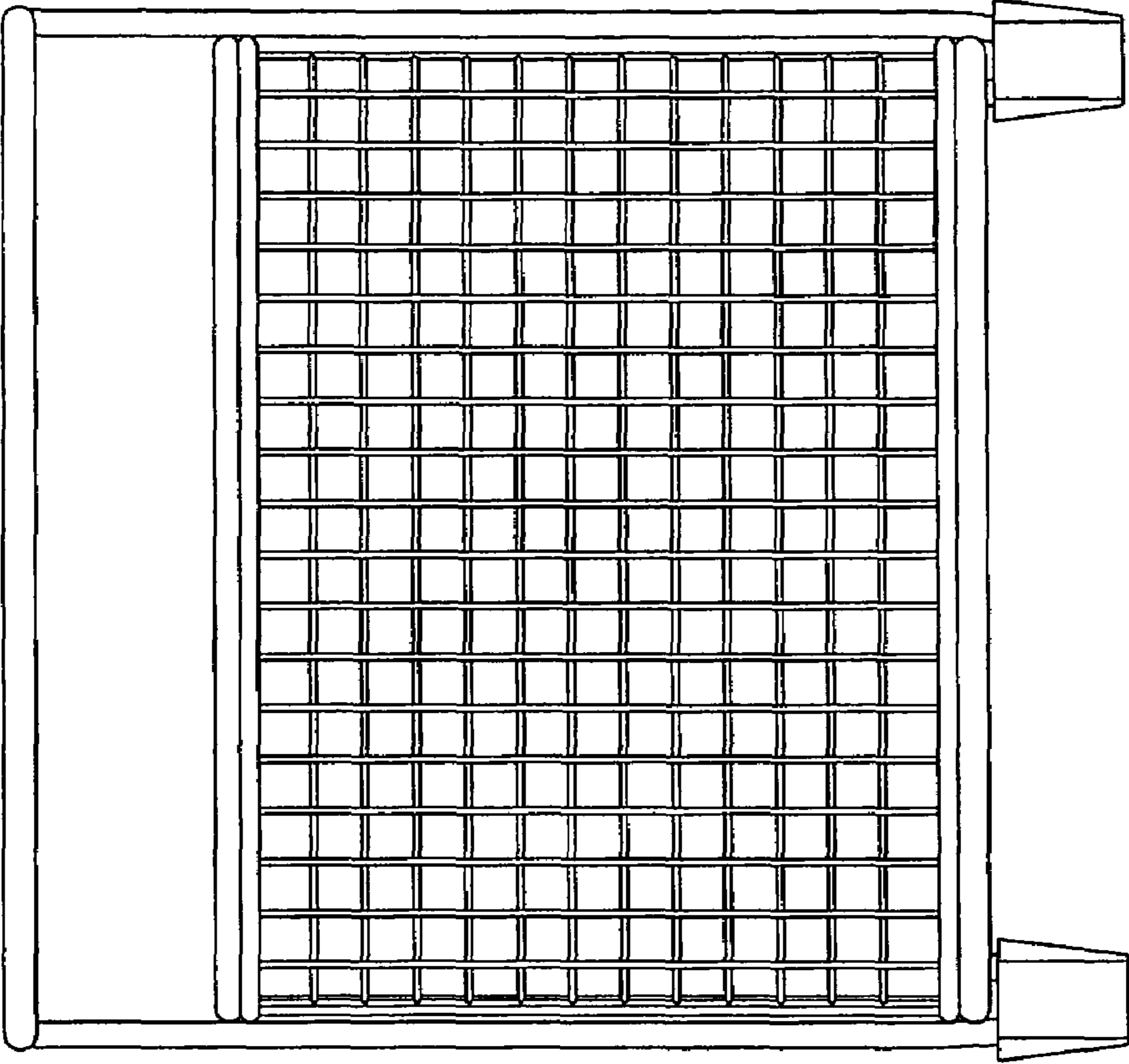


FIG. 7