



US00D586550S

(12) **United States Design Patent**  
**Hermanson et al.**

(10) **Patent No.:** **US D586,550 S**  
(45) **Date of Patent:** **\*\* Feb. 17, 2009**

(54) **STAFF MEMBER AND RIB ASSEMBLY FOR AN UMBRELLA**

(75) Inventors: **Terry Hermanson**, New York, NY (US);  
**George Raustiala**, New York, NY (US)

(73) Assignee: **Mr. Christmas Incorporated**, New York, NY (US)

(\*\*) Term: **14 Years**

(21) Appl. No.: **29/306,461**

(22) Filed: **Apr. 9, 2008**

**Related U.S. Application Data**

(62) Division of application No. 29/267,573, filed on Oct. 18, 2006, now Pat. No. Des. 568,040.

(51) **LOC (9) Cl.** ..... **03-03**

(52) **U.S. Cl.** ..... **D3/10**

(58) **Field of Classification Search** ..... D3/5,  
D3/6, 10; D25/16, 56; 135/15.1, 22, 23,  
135/27, 29-31, 98, 99

See application file for complete search history.

(56) **References Cited**

**U.S. PATENT DOCUMENTS**

D221,039 S	6/1971	Zimmerman	.....	D3/10
D234,729 S	4/1975	Weber	.....	D3/10
5,901,721 A	5/1999	Sadeghvaziri	.....	135/16
5,901,722 A	5/1999	Lee	.....	135/25.1
5,964,237 A	10/1999	Lin	.....	135/114
6,336,464 B1	1/2002	Ko	.....	135/29
D496,783 S	10/2004	Medina	.....	D3/5
7,156,114 B2 *	1/2007	Lo	.....	135/21
7,207,450 B1 *	4/2007	Franklin et al.	.....	135/99

2002/0139404 A1	10/2002	Lee	.....	135/20.3
2003/0131875 A1	7/2003	Wu	.....	135/20.3
2003/0164184 A1	9/2003	Lin et al.	.....	135/25.3
2006/0185701 A1	8/2006	Chen et al.	.....	135/31

\* cited by examiner

*Primary Examiner*—Louis S Zarfaz

*Assistant Examiner*—Anhdao Doan

(74) *Attorney, Agent, or Firm*—Fitzpatrick, Cella, Harper & Scinto

(57) **CLAIM**

The ornamental design for a staff member and rib assembly for an umbrella, as shown and described.

**DESCRIPTION**

FIG. 1 is a perspective view from the bottom and one side of the staff member and rib assembly showing four pairs of ribs; FIG. 2 is a front elevational view of the staff member and rib assembly shown in FIG. 1, the left, right, and rear elevational views being the same;

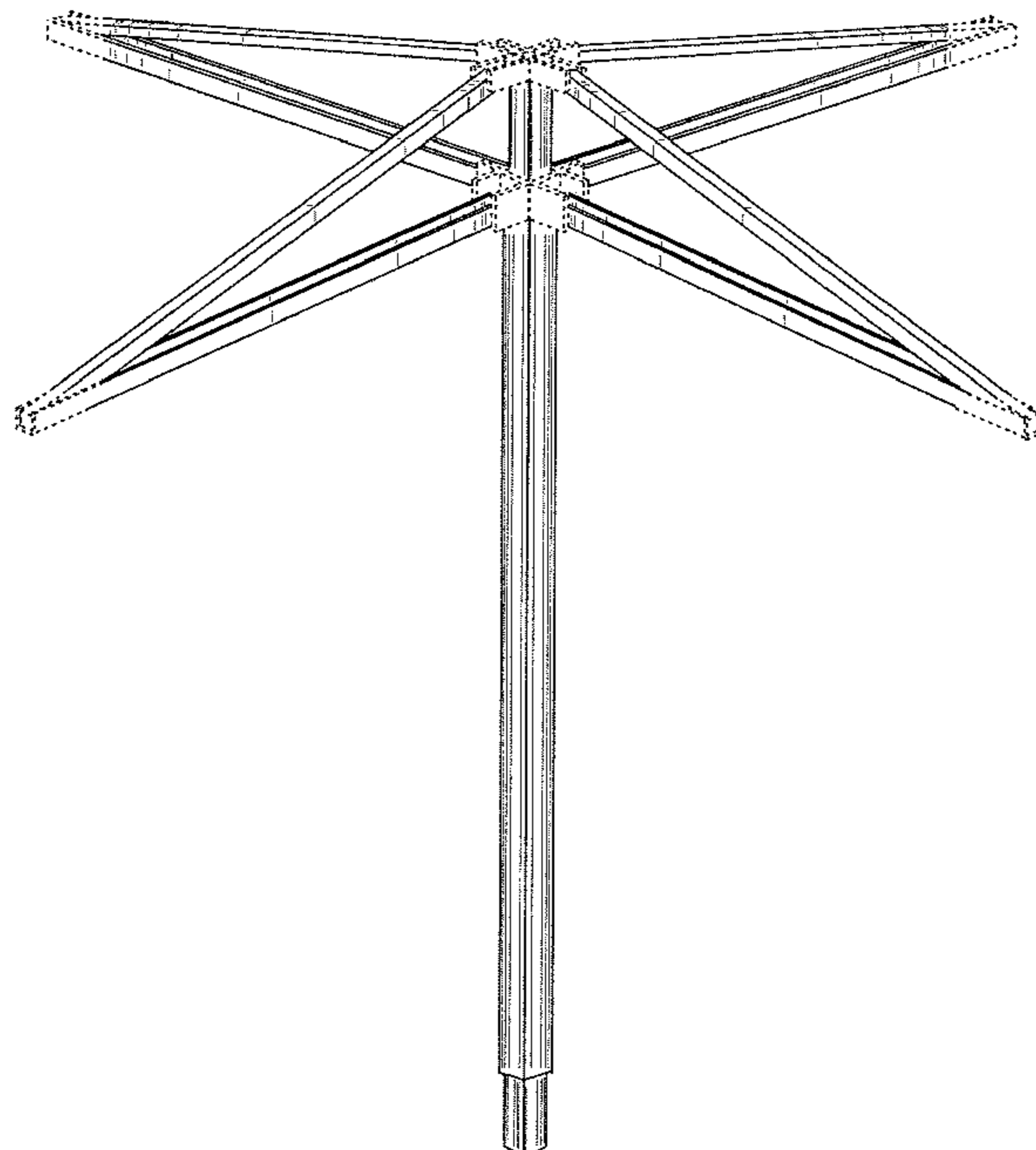
FIG. 3 is an elevational view of the staff member and rib assembly shown in FIG. 1, taken from a vantage point midway between, for example, the front and left side elevational views;

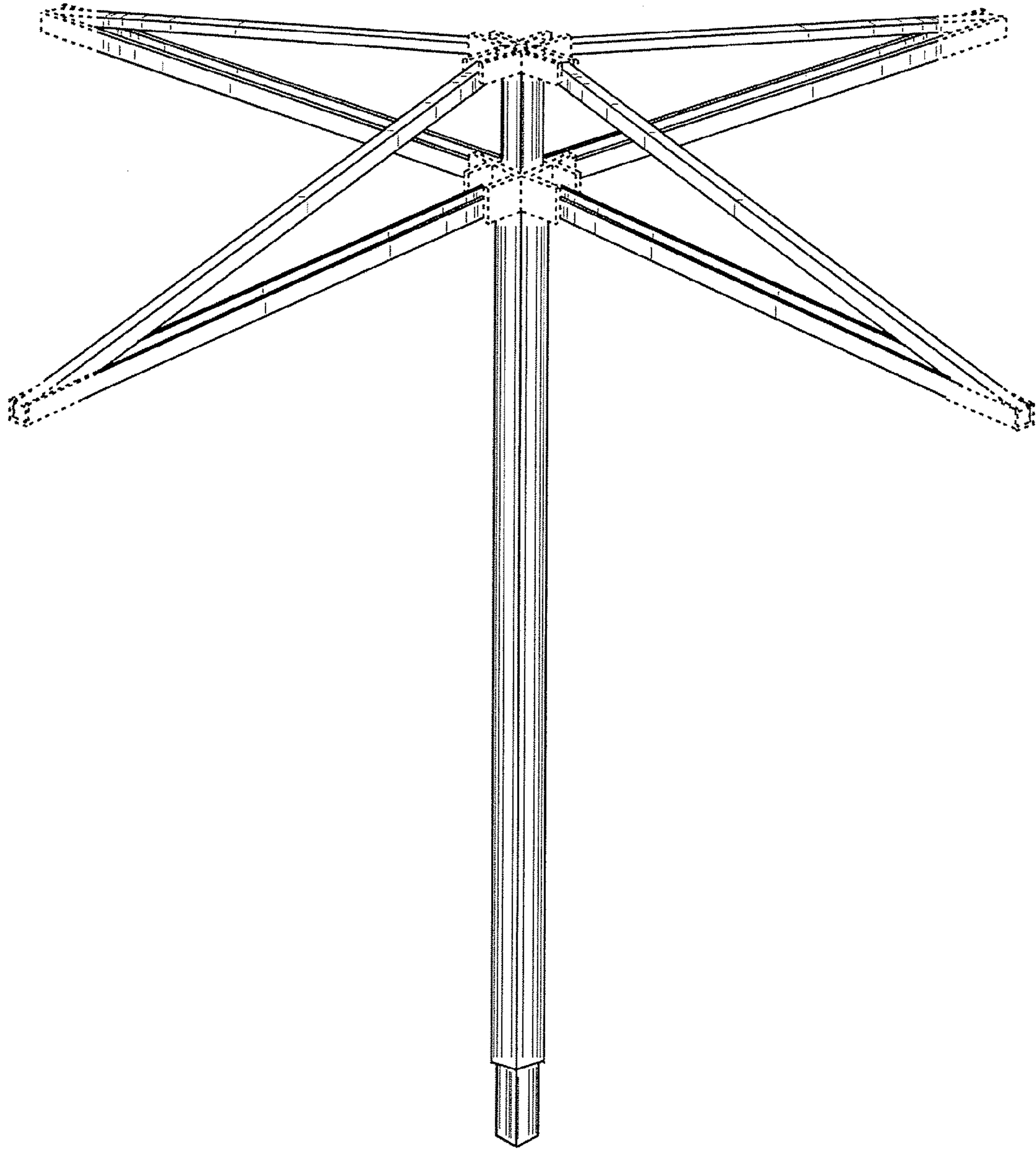
FIG. 4 is a top plan view of the staff member and rib assembly, shown in FIG. 1; and,

FIG. 5 is a bottom plan view of the staff member and rib assembly, shown in FIG. 1.

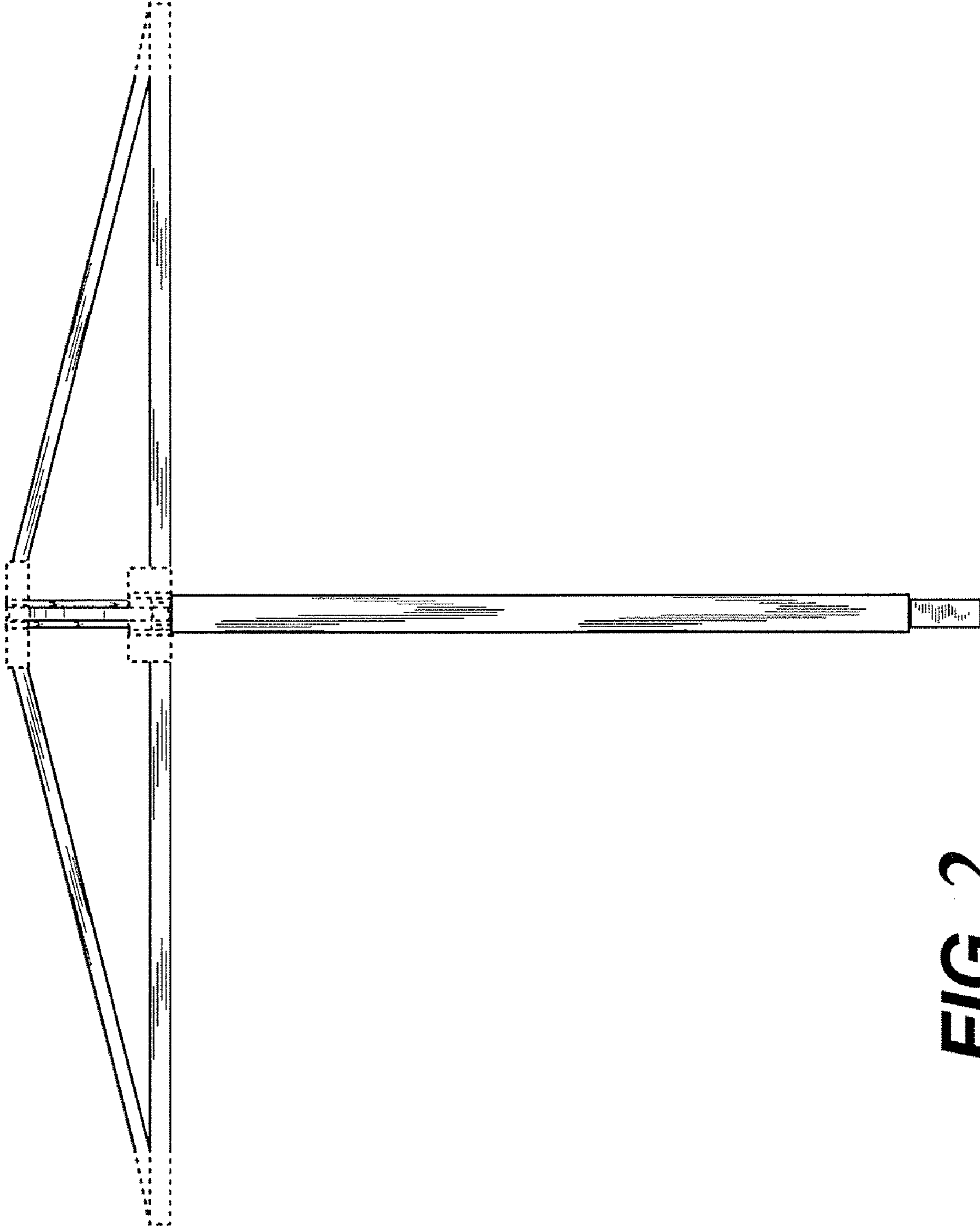
The broken lines in all views are included for the purpose of illustrating portions of the staff member and rib assembly for an umbrella that form no part of the claimed design

**1 Claim, 5 Drawing Sheets**

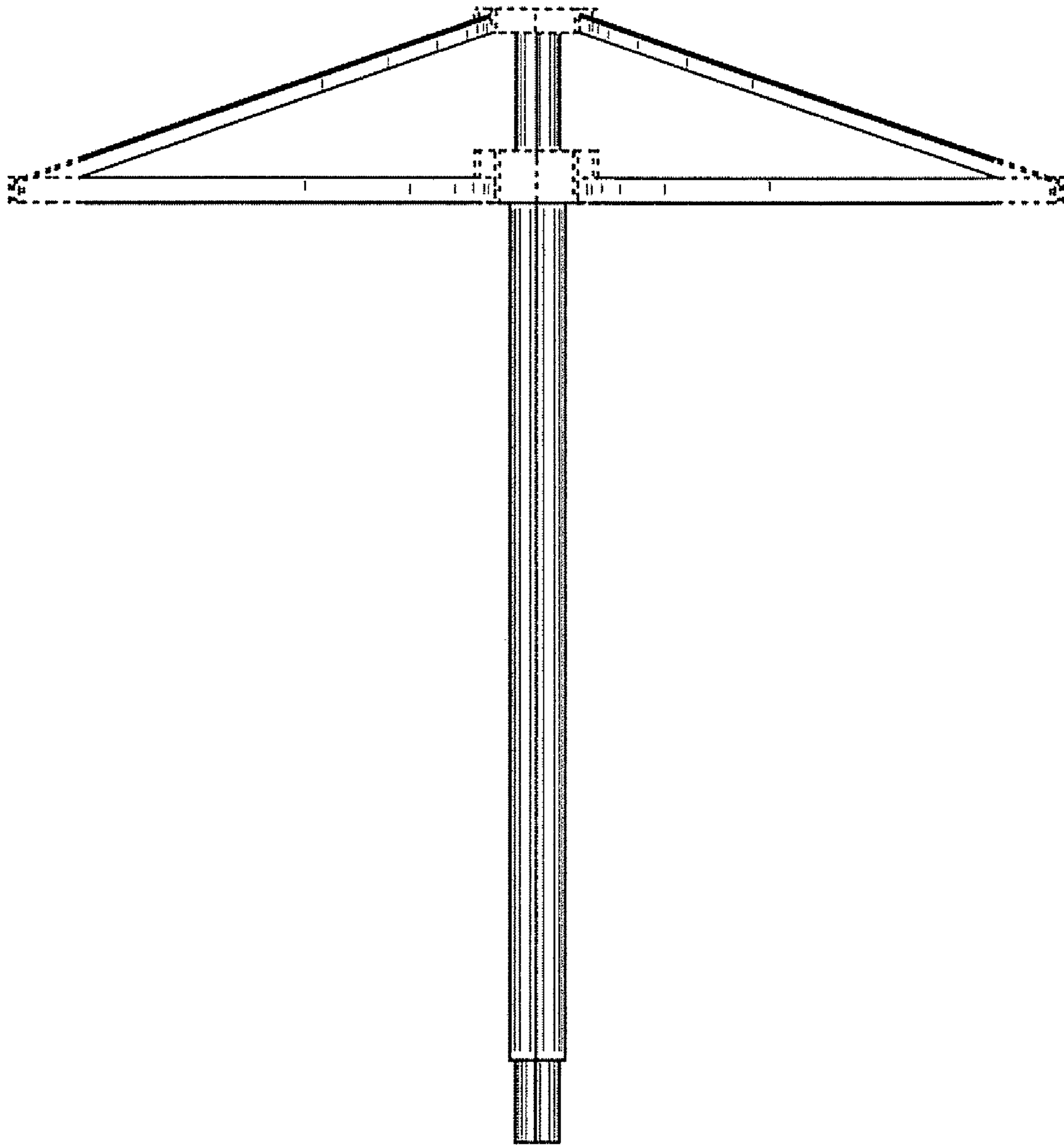




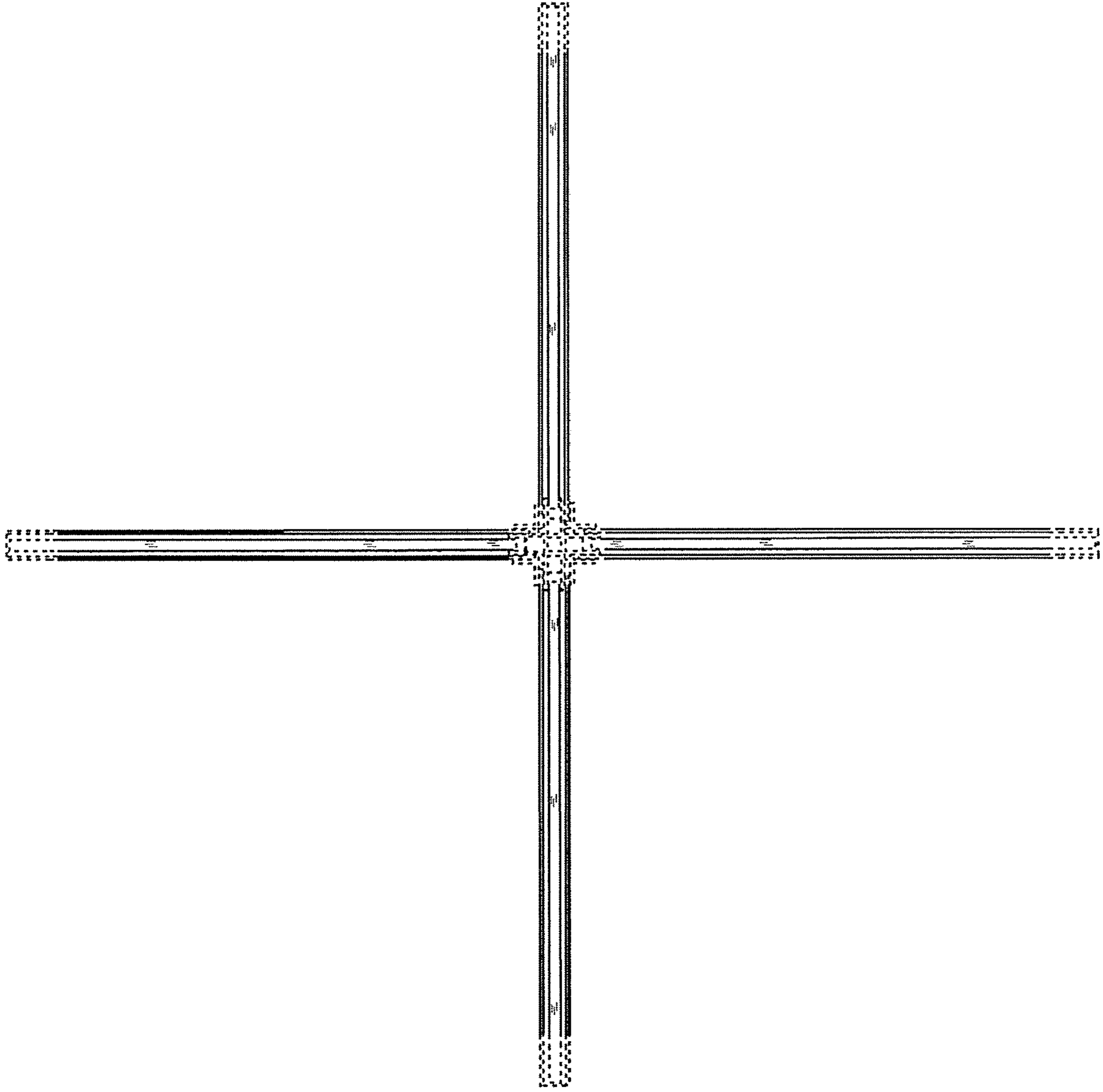
**FIG. 1**



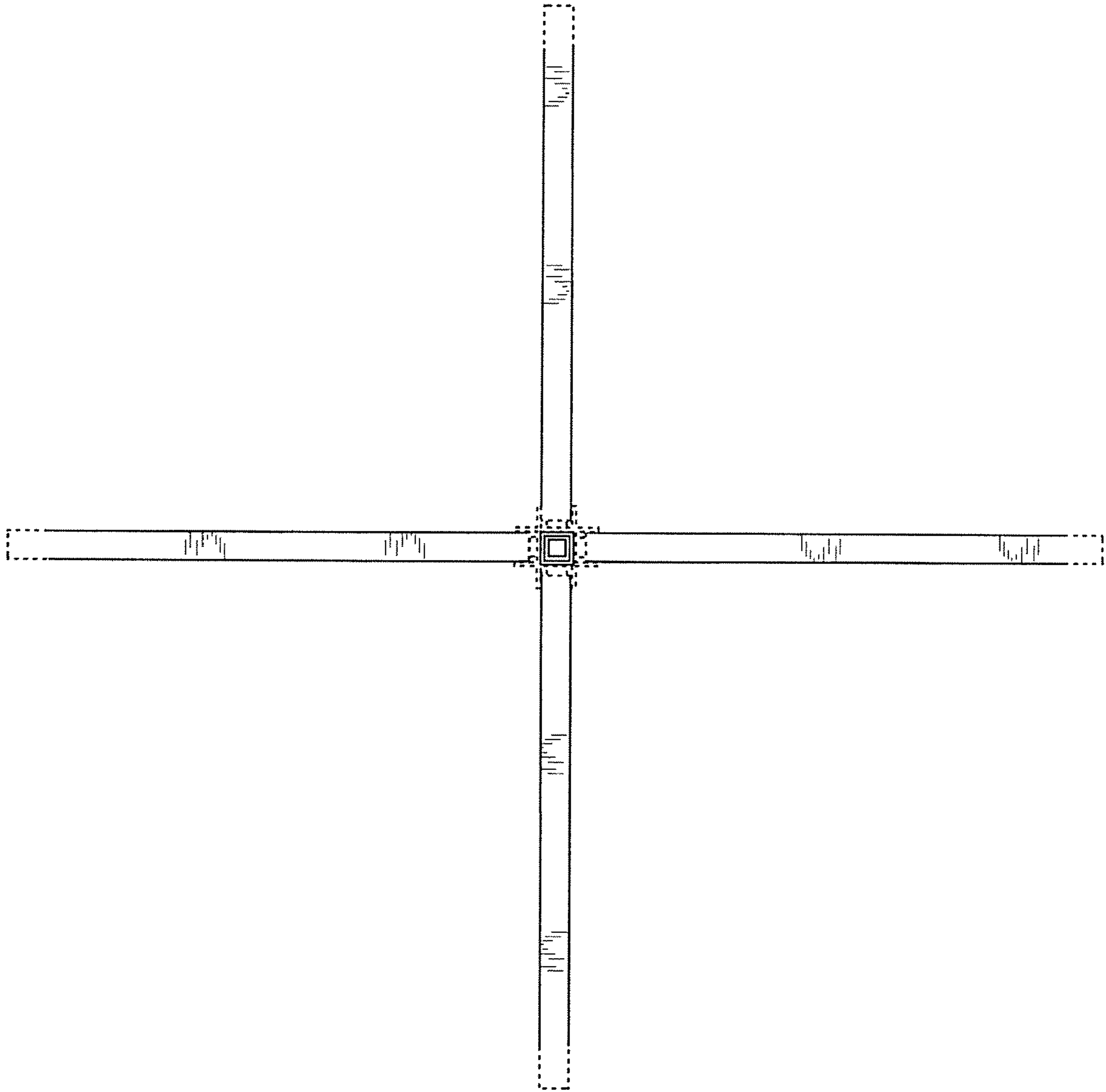
**FIG. 2**



**FIG. 3**



**FIG. 4**



**FIG. 5**