



US00D586549S

(12) **United States Design Patent**
Hermanson et al.

(10) **Patent No.:** **US D586,549 S**
(45) **Date of Patent:** **** Feb. 17, 2009**

(54) **STAFF MEMBER AND RIB ASSEMBLY FOR AN UMBRELLA**

(75) Inventors: **Terry Hermanson**, New York, NY (US);
George Raustiala, New York, NY (US)

(73) Assignee: **Mr. Christmas Incorporated**, New York, NY (US)

(**) Term: **14 Years**

(21) Appl. No.: **29/306,383**

(22) Filed: **Apr. 8, 2008**

Related U.S. Application Data

(62) Division of application No. 29/267,574, filed on Oct. 18, 2006, now Pat. No. Des. 566,382.

(51) **LOC (9) Cl.** **03-03**

(52) **U.S. Cl.** **D3/10**

(58) **Field of Classification Search** D3/5,
D3/6, 10; D25/16, 56; 135/15.1, 22, 23,
135/27, 29-31, 98, 99

See application file for complete search history.

(56) **References Cited**

U.S. PATENT DOCUMENTS

D221,039 S	6/1971	Zimmerman	D3/10
D234,729 S	4/1975	Weber	D3/10
5,901,721 A	5/1999	Sadeghvaziri	135/16
5,901,722 A	5/1999	Lee	135/25.1
5,964,237 A	10/1999	Lin	135/114
6,296,415 B1	10/2001	Johnson et al.	403/170
D496,783 S	10/2004	Medina	D3/5
7,156,114 B2 *	1/2007	Lo	135/21
7,207,450 B1 *	4/2007	Franklin et al.	135/99

2001/0010231 A1	8/2001	Johnson et al.	135/25.1
2002/0139404 A1	10/2002	Lee	135/20.3
2003/0089388 A1	5/2003	Cassagne	135/25.32
2003/0131875 A1	7/2003	Wu	135/20.3

* cited by examiner

Primary Examiner—Louis S Zarfaz

Assistant Examiner—Anhdao Doan

(74) *Attorney, Agent, or Firm*—Fitzpatrick, Cella, Harper & Scinto

(57) **CLAIM**

The ornamental design for a staff member and rib assembly for an umbrella, as shown and described.

DESCRIPTION

FIG. 1 is a perspective view from the bottom and one side of the staff member and rib assembly showing four pairs of ribs;

FIG. 2 is a front elevational view of the staff member and rib assembly shown in FIG. 1, the left, right, and rear elevational views being the same;

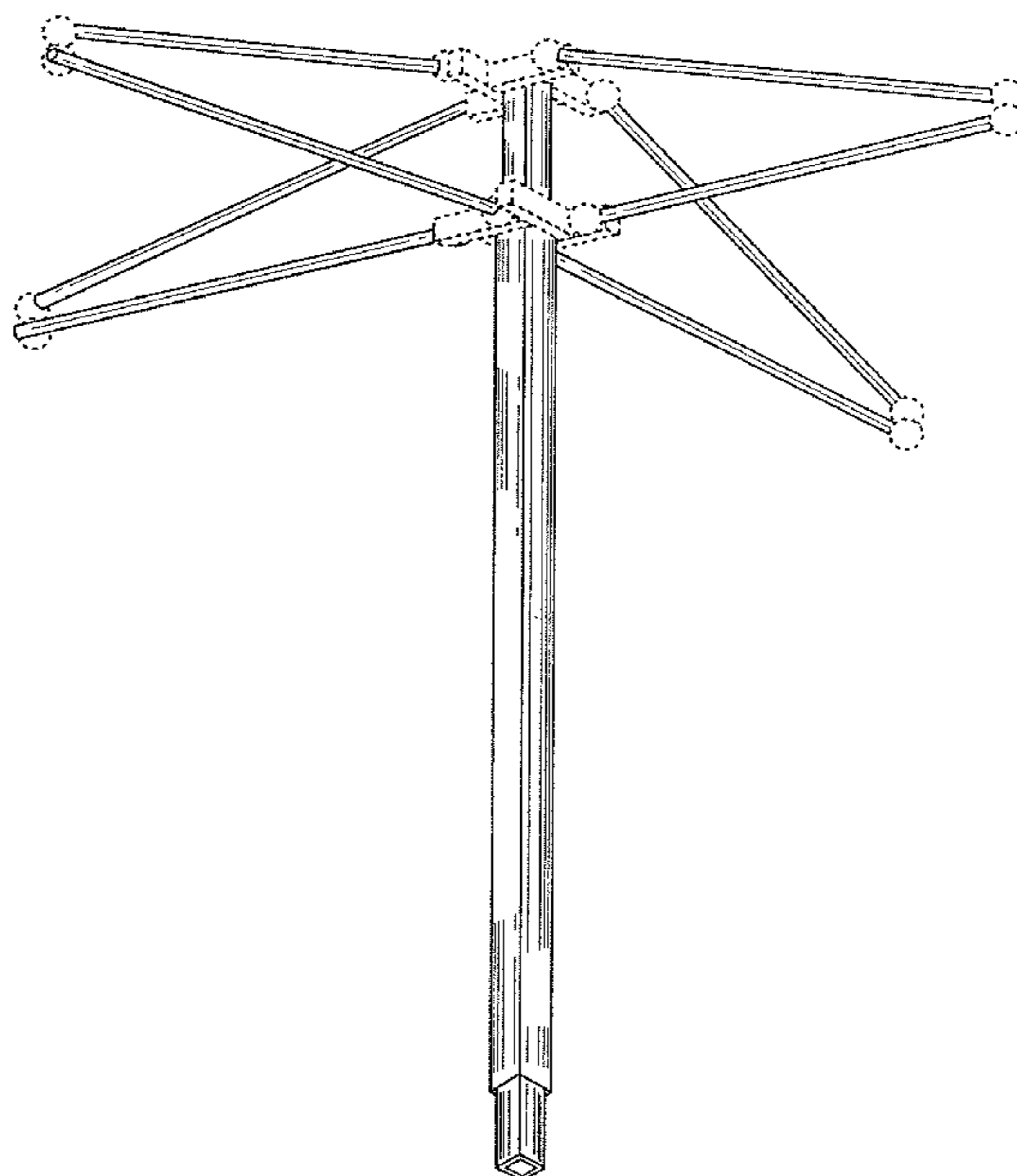
FIG. 3 is an elevational view of the staff member and rib assembly shown in FIG. 1, taken from a vantage point midway between, for example, the front and left side elevational views;

FIG. 4 is a top plan view of the staff member and rib assembly, shown in FIG. 1; and,

FIG. 5 is a bottom plan view of the staff member and rib assembly, shown in FIG. 1.

The broken lines in all views are included for the purpose of illustrating portions of the staff member and rib assembly for an umbrella that form no part of the claimed design.

1 Claim, 5 Drawing Sheets



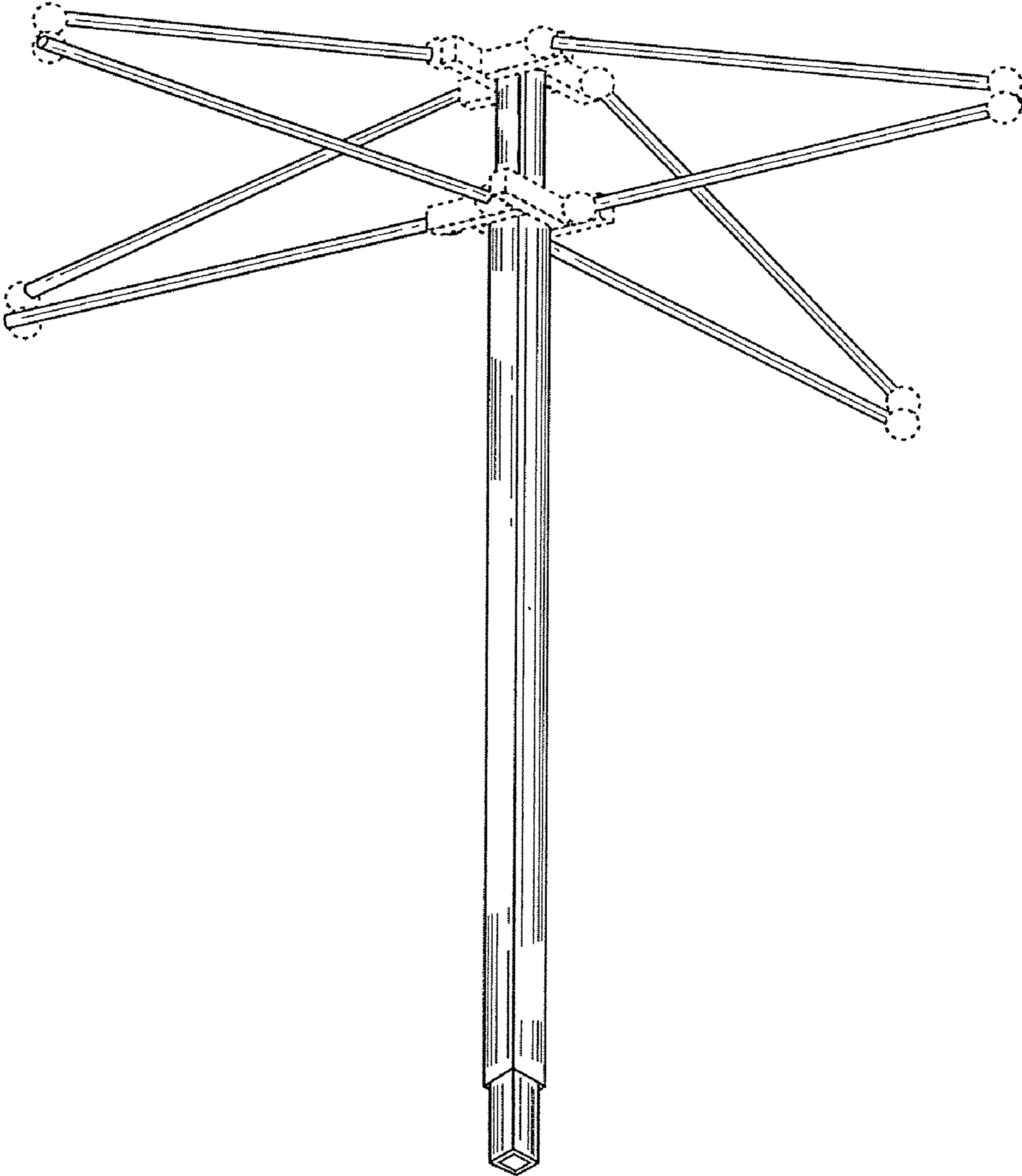


FIG. 1

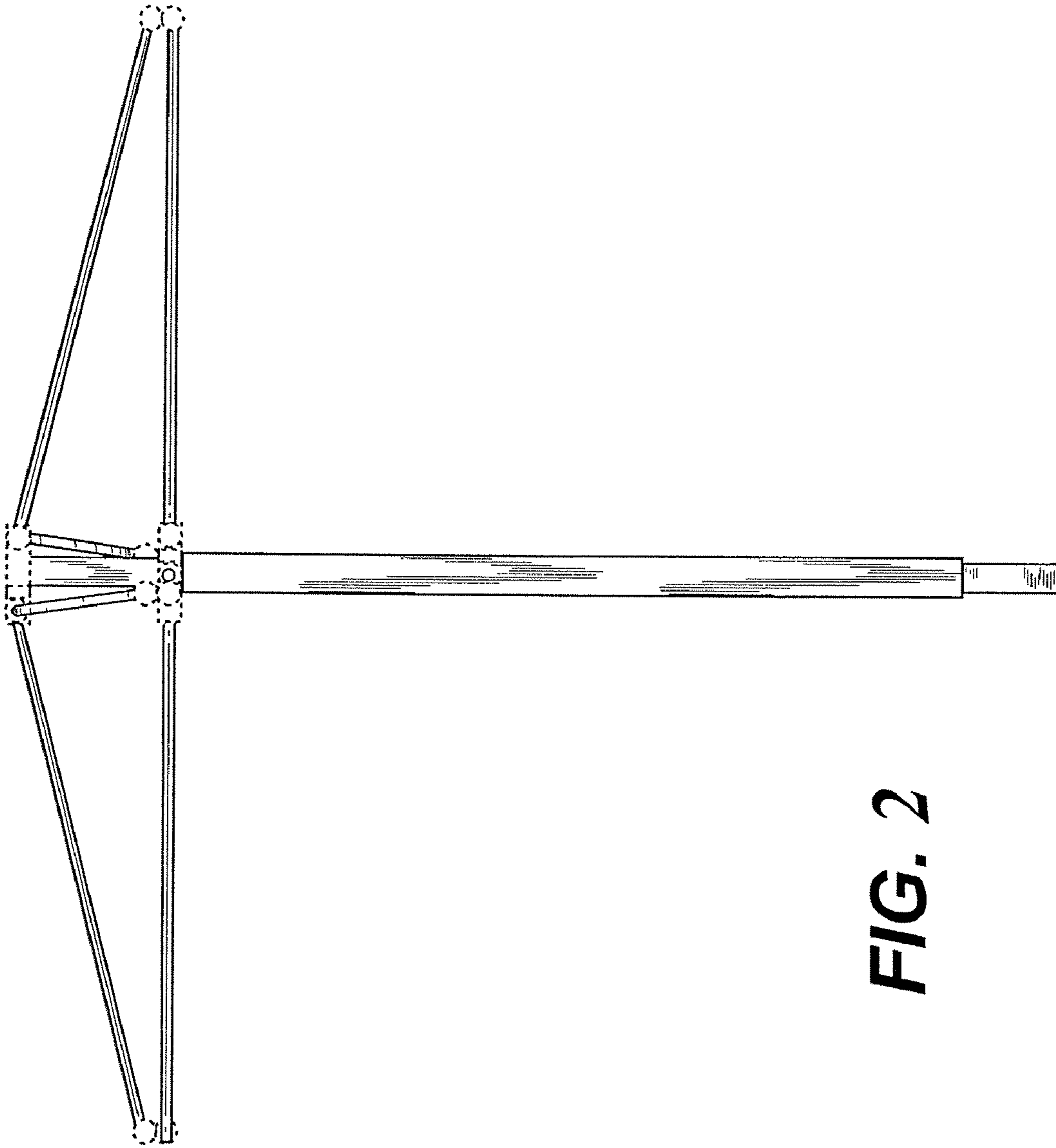


FIG. 2

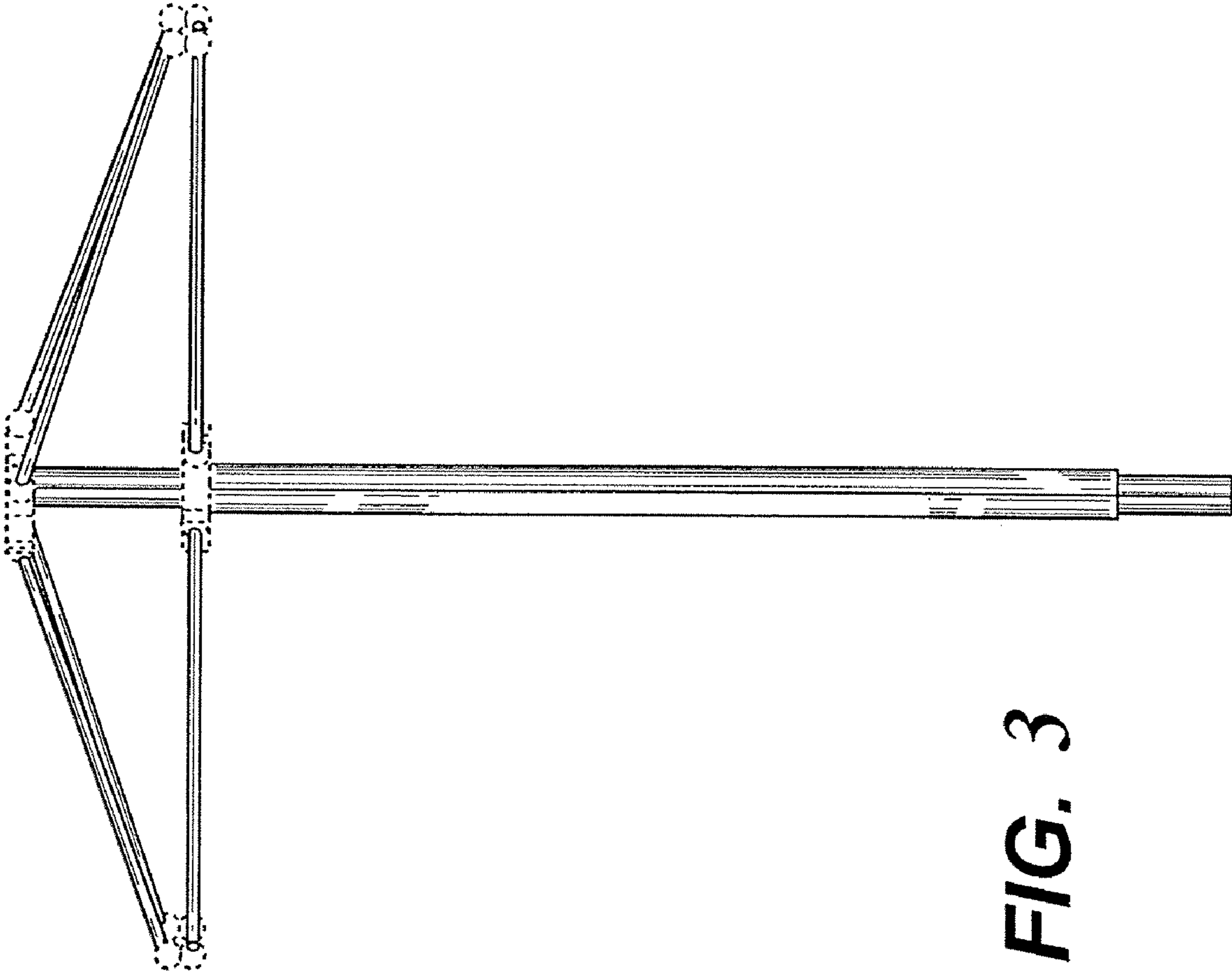


FIG. 3

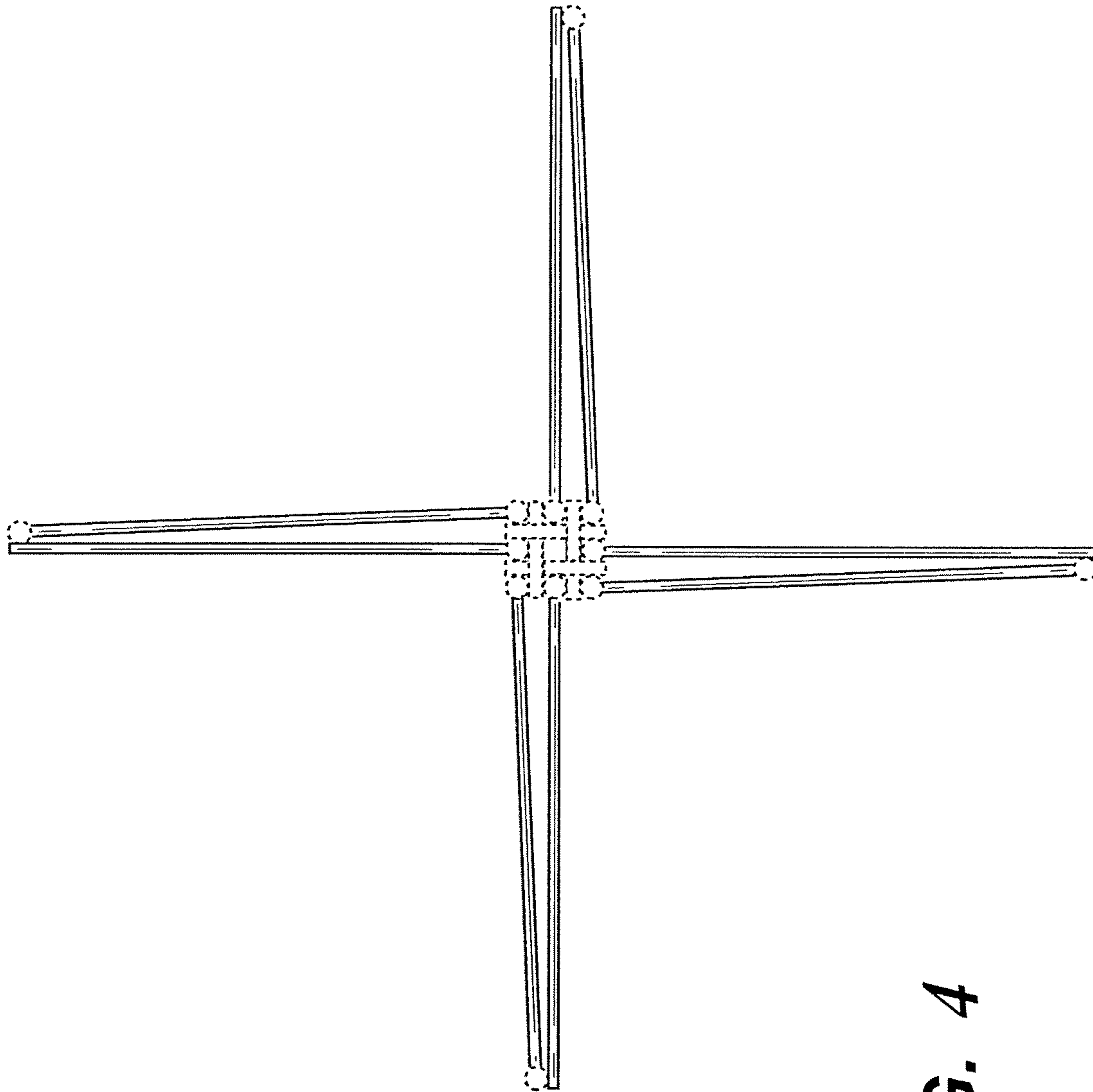


FIG. 4

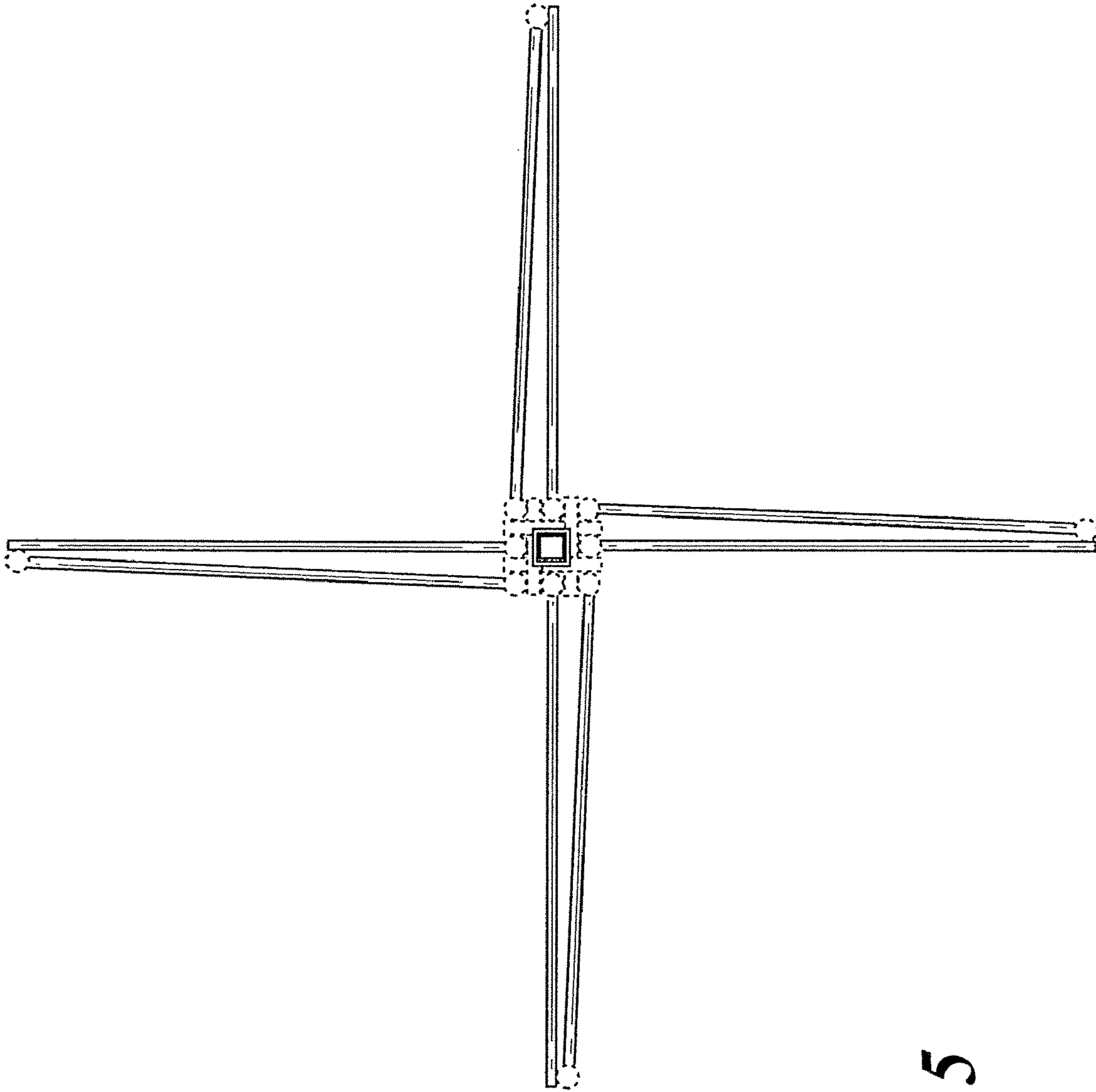


FIG. 5